



APPLICATION FOR PREAPPROVAL

SPECIAL SEISMIC CERTIFICATION OF EQUIPMENT AND COMPONENTS

For Office Use Only

APPLICATION NO.
OSP – 0013 – 10

Check whether application is: NEW RENEWAL

1.0	Eaton Corporation	Eddie Wilkie
	<i>Manufacturer</i>	<i>Manufacturer's Technical Representative</i>
	1000 Cherrington Parkway Moon Township, PA 15108	175 Vista Blvd., Arden, NC 28704
	<i>Mailing Address</i>	
	828-651-0707	eddiewilkie@eaton.com
	<i>Telephone</i>	<i>E-mail Address</i>

2.0	Uninterruptable Power Supplies & Accessories	UPS & Accessories
	<i>Product Name</i>	<i>Product Type</i>
	9X55 (9155 & 9355), 9390, 9395, and Accessories	
	<i>Product model No (List all unique product identification numbers and/or serial numbers)</i>	

General Description: Rigid floor mounted backup power system ensuring an Uninterrupted Power Supply. Various accessories are also qualified for UPS use, per UL1778, such as, Extended Battery Modules, Integrated Distribution Cabinets, Integrated Accessory Cabinets, and Bypass / Options Cabinets. Additional systems are qualified for Emergency Lighting use, per UL924. The UPS products and Accessories have power ratings from 8kVA - 1100kVA and operating voltages from 120 - 480VAC.

3.0	Eaton Corporation	Eddie Wilkie
	<i>Applicant Company Name</i>	<i>Contact Person</i>
	1000 Cherrington Parkway Moon Township, PA 15108	175 Vista Blvd Arden, NC 28704
	<i>Mailing Address</i>	
	828-651-0707	eddiewilkie@eaton.com
	<i>Telephone</i>	<i>E-mail Address</i>

I hereby agree to reimburse the Office of Statewide Health Planning and Development for the actual costs incurred by the department for review.

<i>Eddie Wilkie</i>	June 21, 2012
<i>Signature of Applicant</i>	<i>Date</i>
Division Engineering Manager, Power Distribution Organization – Americas	Eaton Corporation
<i>Title</i>	<i>Company Name</i>



4.0 Registered Design Professional Preparing the Report

ISAT

Company Name

William V. Joerger	SE 4545
<i>Contact Name</i>	<i>California License Number</i>
1020 Crews Road Suite Q, Matthews, NC 28105	
<i>Mailing Address</i>	
510-714-0216	wvjoerger@isatsb.com
<i>Telephone</i>	<i>E-mail Address</i>

5.0 California Licensed Structural Engineer Review and Acceptance of the Report

ISAT

Company Name

William V. Joerger	SE 4545
<i>Contact Name</i>	<i>California License Number</i>
1020 Crews Road Suite Q, Matthews, NC 28105	
<i>Mailing Address</i>	
510-714-0216	wvjoerger@isatsb.com
<i>Telephone</i>	<i>E-mail Address</i>

6.0 Anchorage Pre-Approval

- Anchorage is pre-approved under OPA-
(Separate application for anchorage pre-approval is required)
- Anchorage is not Pre-approved

7.0 Certification Method

- Testing in accordance with:
 - ICC-ES AC-156
 - Other (Please Specify):
Eaton Test Protocol (On File with OSHPD) Publication #SA12501SE, dated August 2009

- Analysis
- Experience data
- Combination of Testing, Analysis, and/or Experience Data (Please Specify):

8.0 Testing Laboratory (if applicable) (2 – Laboratories Used)

Wyle Laboratories (#1) / Westinghouse (#2)	Don Smith (1) / Nathan Glenn (2)
<i>Company Name</i>	<i>Contact Name</i>
7800 Highway 20 West, Huntsville, AL 35806 (1) / 1000 Westinghouse Drive, New Stanton, PA 15672 (2)	
<i>Mailing Address</i>	
(256) 716-4445 (1) / (724) 722-5737 (2)	Don.Smith@Wyle.com (1) / glennnm@westinghouse.com (2)
<i>Telephone</i>	<i>E-mail:</i>



Approval Parameters

9.0

Design in accordance with ASCE 7-05 Chapter 13: Yes No

Design Basis of Equipment or Components (F_p/W_p) = 1.24

S_{DS} (Spectral response acceleration at short period) = 1.72

a_p (In-structure equipment or component amplification factor) = 1.0

R_p (Equipment or component response modification factor) = 2.5

I_p (Importance factor) = 1.5

z/h (Height factor ratio) = 1.0

Equipment or Component fundamental period(s) = See Table 2

Building period limits (if any) = n/a

Overall dimensions and weight (or range thereof) = See Table 20a through 20d

Equipment or Components @ grade designed in accordance with ASCE 7-05 Chapter 15: Yes No

Design Basis of Equipment or Components (V/M) =

S_{DS} (Spectral response acceleration at short period) =

S_1 (Spectral response acceleration at 1 second period) =

R (Response modification coefficient) = 1.0

Ω_0 (System overstrength factor) = 1.0

C_d (Deflection amplification factor) = 1.0

I_p (Importance factor) = 1.5

Height to Center of Gravity above base =

Equipment or Component fundamental period(s) = Sec

Overall dimensions and weight (or range thereof) =

Tank(s) designed in accordance with ASME BPVC, 2007: Yes No

10.0 List of attachments supporting the special seismic certification of equipment or components:

- Test Report Drawings Manufacturer's Catalog
 Calculations Others (Please Specify):

11.0 OSHPD Approval (For Office Use Only)

July 30, 2012

December 31, 2016

Signature & Date

Timothy J. Piland, SSE

Name & Title

Approval Expiration Date

S_{ps} (g) = 1.72 z/h = 1.0

Special Seismic Certification Valid Up to

Condition of Approval (if any):

TABLE 1

CERTIFIED PRODUCT MATRIX



Powering Business Worldwide

Eaton 9X55 UPS Series Products (8-15 kVA)

Description	Part Number ¹	Dimensions ²			Maximum Weight (lb) ³	Unit
		H	W	D		
9155 8 kVA 32 Battery (2-high)	K408X1XXXXXXXXXX	33	12	34	459	Extrapolated
9155 10 kVA 32 Battery (2-high)	K410X1XXXXXXXXXX	33	12	34	459	Extrapolated
9155 12 kVA 32 Battery (2-high)	K412X1XXXXXXXXXX	33	12	34	459	Extrapolated
9155 15 kVA 32 Battery (2-high)	K415X1XXXXXXXXXX	33	12	34	459	Extrapolated
9355 10 kVA with 32-Battery (2-high)	KA10X1XXXXXXXXXX	33	12	34	480	Extrapolated
9355 15 kVA with 32-Battery (2-high)	KA15X1XXXXXXXXXX	33	12	34	480	Extrapolated
9355 15 kVA with 32-Battery (2-high)	KA1511100000010	33	12	34	480	UUT 1
9155 8 kVA 64 Battery (3-high)	K408X2XXXXXXXXXX	48	12	34	736	Interpolated
9155 7kW 277 UL 924 Single-Phase UPS	BH-08KEL277-100	48	12	34	736	Interpolated
9155 8 kVA 32 Battery w/Trans. Mod. (3-high)	K408X3XXXXXXXXXX	48	12	34	736	Interpolated
9155 10 kVA 64 Battery (3-high)	K410X2XXXXXXXXXX	48	12	34	736	Interpolated
9155 9kW 277 UL 924 Single-Phase UPS	BH-10KEL277-100	48	12	34	736	Interpolated
9155 10 kVA 32 Battery w/Trans. Mod. (3-high)	K410X3XXXXXXXXXX	48	12	34	736	Interpolated
9155 12 kVA 64 Battery (3-high)	K412X2XXXXXXXXXX	48	12	34	736	Interpolated
9155 12 kVA 32 Battery w/Trans. Mod. (3-high)	K412X3XXXXXXXXXX	48	12	34	736	Interpolated
9155 15 kVA 64 Battery (3-high)	K415X2XXXXXXXXXX	48	12	34	736	Interpolated
9155 15 kVA 32 Battery w/Trans. Mod. (3-high)	K415X3XXXXXXXXXX	48	12	34	736	Interpolated
9355 10 kVA with 64-Battery (3-high)	KA10X2XXXXXXXXXX	48	12	34	755	Interpolated
9355 8.5kW 208V UL 924 3-Phase UPS	BH-10KEL2083P-100	48	12	34	755	Interpolated
9355 10 kVA with 32-Battery and input isolation transformer (3-high)	KA10X3XXXXXXXXXX	48	12	34	755	Interpolated
9355 15 kVA with 64-Battery (3-high)	KA15X2XXXXXXXXXX	48	12	34	755	Interpolated
9355 13kW 208V UL 924 3-Phase UPS	BH-15KEL2083P-100	48	12	34	755	Interpolated
9355 15 kVA with 32-Battery and input isolation transformer (3-high)	KA15X3XXXXXXXXXX	48	12	34	755	Interpolated
9355 15 kVA with 32-Battery and input isolation transformer (3-high)	KA1513400000010	48	12	34	755	UUT 2

¹ "X" indicates non-critical for seismic determination selection digit; most severe configuration was used for testing

² Maximum Without Seismic Mounting/Bracing Kit

³ Including Seismic Mounting /Bracing Kit

TABLE 1

CERTIFIED PRODUCT MATRIX (CONT'D)



Powering Business Worldwide

Eaton 9X55 Battery Cabinets (8-15 kVA)

Description	Part Number ¹	Dimensions ²			Maximum Weight (lb) ³	Unit
		H	W	D		
9X55 8-15 kVA 2-High Line & Match Extended Battery Module 64-Battery	103004192-5501	33	12	31	580	Extrapolated
9X55 8-15 kVA 3-High UL 924 Extended Battery Module 96-Battery	BH-EBM96EL-600	48	12	31	855	Extrapolated
9X55 8-15 kVA 3-High Line & Match Extended Battery Module 96-Battery	103004193-5501	48	12	31	855	UUT 3

Eaton 9X55 UPS Series Products (20-30 kVA)

Description	Part Number ¹	Dimensions ²			Maximum Weight (lb) ³	Unit
		H	W	D		
9355 20 kVA	KB20XXXXXXXXXXXX	67	20	35	1155	Extrapolated
9355 30 kVA	KB30XXXXXXXXXXXX	67	20	35	1155	Extrapolated
9355 30 kVA	KB3013100000010	67	20	35	1155	UUT 4

Eaton 9X55 Options Cabinet (20-30 kVA)

Description	Part Number ¹	Dimensions ²			Maximum Weight (lb) ³	Unit
		H	W	D		
9355 Options Cabinet - MBS Only	KBT0X0XXXXXXXXXX	67	20	35	222	Extrapolated
9355 Options Cabinet - Input Xfrmr Only	KBT0X2XXXXXXXXXX	67	20	35	490	Extrapolated
9355 Options Cabinet - Output Xfrmr Only	KBT0X3XXXXXXXXXX	67	20	35	490	Extrapolated
9355 Options Cabinet - MBS + Input Xfrmr	KBT0X1XXXXXXXXXX	67	20	35	490	Extrapolated
9355 Options Cabinet - MBS + Input Xfrmr	KBT001100000010	67	20	35	490	UUT 5

¹ "X" indicates non-critical for seismic determination selection digit; most severe configuration was used for testing

² Maximum Without Seismic Mounting/Bracing Kit

³ Including Seismic Mounting /Bracing Kit

TABLE 1

CERTIFIED PRODUCT MATRIX (CONT'D)



Powering Business Worldwide

Eaton 9390 UPS Series Products (40-160 kVA)

Description	Part Number ^{1,4}	Dimensions ²			Maximum Weight (lb) ³	Unit
		H	W	D		
9390 40 kVA UPS	TAXXXXXXXXX*XXXX	74	28	32	850	Extrapolated
9390 80 kVA UPS	TBXXXXXXXX*XXXX	74	28	32	900	Extrapolated
9390 80 kVA UPS	TB0811001133010	74	28	32	900	UUT 6
9390 120 kVA UPS	TCXXXXXXXX*XXXX	74	45	32	1298	Interpolated
9390 160 kVA UPS	TDXXXXXXXX*XXXX	74	45	32	1388	Interpolated
9390 160 kVA UPS	TD1612001134010	74	45	32	1388	UUT 7

Eaton 9390 IDC (40-160 kVA) (Integrated Distribution Cabinet)

Description	Part Number ¹	Dimensions ²			Maximum Weight (lb) ³	Unit
		H	W	D		
9390 IDC 40 kVA	T04XXXXXXXXXXXXX	74	38	32	1356	Extrapolated
9390 IDC 80 kVA	T08XXXXXXXXXXXXX	74	38	32	1356	Extrapolated
9390 IDC 80 kVA	T08153343100021	74	38	32	1356	UUT 8
9390 IDC 120 kVA	T12XXXXXXXXXXXXX	74	45	32	2028	Interpolated
9390 IDC 160 kVA	T16XXXXXXXXXXXXX	74	45	32	2028	Interpolated
9390 IDC 160 kVA	T161533P3000021	74	45	32	2028	UUT 9

Eaton 9390 IAC (40-160 kVA) (Integrated Accessory Cabinet)

Description	Part Number ¹	Dimensions ²			Maximum Weight (lb) ³	Unit
		H	W	D		
9390 IAC-D	TVXXXXXXXXXXXXX	74	25	32	490	Extrapolated
9390 IAC-B	TMXXXXXXXXXXXXX	74	25	32	490	Extrapolated
9390 IAC-T	TTXXXXXXXXXXXXX	74	25	32	490	Extrapolated
9390 IAC-T	TT1601162000001	74	25	32	490	UUT 10

¹ "X" indicates non-critical for seismic determination selection digit; most severe configuration was used for testing

² Maximum Without Seismic Mounting/Bracing Kit

³ Including Seismic Mounting /Bracing Kit

⁴ "*" Internal battery options are NOT approved for seismic applications , all other options for this digit are approved for seismic applications

TABLE 1

CERTIFIED PRODUCT MATRIX (CONT'D)



Powering Business Worldwide

Eaton 9395 UPS Series Products (200-1100 kVA)

Description	Part Number ¹	Dimensions ²			Maximum Weight (lb) ³	Unit
		H	W	D		
9395 275 kVA UPS	CAXXXXXXXXXXXRX	74	53	35	1900	Extrapolated
9395 550kVA - 1UPM UPS	CRXXXXXXXXXXRX	74	53	35	1990	Extrapolated
9395 550kVA - 1UPM UPS	CR27436500300R3	74	53	35	1990	UUT 11
9395 275 kVA UPS + 1UPM UPS	CBXXXXXXXXXXRX	74	74	35	3150	Interpolated
9395 550 kVA UPS	CCXXXXXXXXXXRX CLXXXXXXXXXXRX	74	74	35	3274	Interpolated
9395 550 kVA UPS + 1UPM UPS	CDXXXXXXXXXXRX CMXXXXXXXXXXRX	74	103	35	4654	Interpolated
9395 825 kVA UPS - 1UPM UPS	CSXXXXXXXXXXRX	74	120	35	4309	Interpolated
9395 825 kVA UPS	CXXXXXXXXXXRX CNXXXXXXXXXXRX CUXXXXXXXXXXRX	74	141	35	5550	Interpolated
9395 1100 kVA UPS - 1UPM UPS	CTXXXXXXXXXXRX CYXXXXXXXXXXRX	74	141	35	5670	Interpolated
9395 825 kVA UPS + 1UPM UPS	CGXXXXXXXXXXRX CPXXXXXXXXXXRX CVXXXXXXXXXXRX	74	170	35	6930	Interpolated
9395 1100 kVA UPS	CHXXXXXXXXXXRX CWXXXXXXXXXXRX	74	170	35	7050	Interpolated
9395 1100 kVA UPS	CH11436500300R3	74	170	35	7050	UUT 12, 13,14
Field Installed UPM (FIUPM)	103005906 103006663	74	30	35	1380	Extrapolated

Eaton 9395 MBM (200-550 kVA) (Maintenance Bypass Module)

Description	Part Number ¹	Dimensions ²			Maximum Weight (lb) ³	Unit
		H	W	D		
9395 200-550 kVA MBM	MBMXXXXXXXXXX	74	42	35	910	Extrapolated
9395 200-550 kVA MBM	MBM9B5516210000	74	42	35	910	UUT 15

¹ "X" indicates non-critical for seismic determination selection digit; most severe configuration was used for testing

² Maximum Without Seismic Mounting/Bracing Kit

³ Including Seismic Mounting /Bracing Kit

TABLE 2



Powering Business Worldwide

CERTIFIED PRODUCT SUBCOMPONENT MATRIX

Frames

Frame	Dimensions (inches)			Operating Weight (lb) ³	Material	Type	Unit
	Height	Width	Depth				
9X55 8-15 kVA (2-HIGH)	32.2	12.0	33.7	86	16 GA CRS	BOLTED	UUT 1
9X55 8-15 kVA (3-HIGH)	47.8	12.0	33.7	122	16 GA CRS	BOLTED	UUT 2, 3
9X55 20-30 kVA	66.0	20.0	34.1	245	16 GA CRS	BOLTED	UUT 4, 5
9390 UPS 20-80 kVA	73.8	27.6	31.7	507	11 GA to 18 GA CRS	BOLTED	UUT 6
9390 UPS 100-160 kVA	73.8	44.3	31.7	792	11 GA to 18 GA CRS	BOLTED	UUT 7
9390 IAC	73.8	24.4	31.7	297	11 GA to 18 GA CRS	BOLTED	UUT 10
9390 20-80 kVA IDC	73.8	37.2	31.7	525	11 GA to 18 GA CRS	BOLTED	UUT 8
9390 160 kVA IDC	73.8	44.4	31.7	609	7 GA TO 18 GA CRS	BOLTED	UUT 9
9395 - A - FRAME	73.9	52.8	34.4	552	16 GA CRS - 11 GA CRS	BOLTED	UUT 11
9395 - B - FRAME	73.9	73.6	34.4	633	16 GA CRS - 11 GA CRS	BOLTED	UUT 12
9395 - C - FRAME	73.9	66.7	34.4	592	16 GA CRS - 11 GA CRS	BOLTED	UUT 13
9395 - D - FRAME	73.9	29.3	34.4	260	16 GA CRS - 11 GA CRS	BOLTED	UUT 14
9395 - MBM - FRAME	73.9	41.5	34.4	508	16 GA CRS - 11 GA CRS	BOLTED	UUT 15

Electronics Modules

Part Number	Manufacturer	Description	Operating Weight (lb) ³	Mounting	Unit
103004889	EATON	30 KVA ELECTRONICS MODULE	149	BOLTED	UUT 4
1024064	EATON	8-10 KVA ELECTRONICS MODULE	150	BOLTED	Interpolated
1024016	EATON	12-15 KVA ELECTRONICS MODULE	160	BOLTED	UUT 1, 2

Batterys

Part Number	Manufacturer	Description	Operating Weight (lb) ³	Mounting	Unit
PWHR1234W2FR	CSB	12 V, 34 WATT (9 AH), VRLA	6	STRAPPED	UUT 1, 2, 3, 4

TABLE 2**CERTIFIED PRODUCT SUBCOMPONENT MATRIX (CONT'D)**

Powering Business Worldwide

Seismic Kits

Part Number	Manufacturer	Description	Operating Weight (lb) ³	Mounting	Unit
103004194-5501	EATON	9X55 8-15kVA	133	BOLTED	UUT 1, 2, 3
103004896	EATON	9355 20-30KVA	17	BOLTED	UUT 4, 5
103004179	EATON	9390 UPS	25	BOLTED	Interpolated
103004422	EATON	9390 IDC/IAC	25	BOLTED	UUT 8,9,10
103004423	EATON	9390 UPS W/SIDECAR	25	BOLTED	UUT 6,7
103008224	EATON	9395 275kVA & 550-1kVA (Frame A)	27	BOLTED	UUT 11
103008225	EATON	9395 275+1kVA & 550kVA (Frame B)	38	BOLTED	UUT 12
No Part Number -not sold individually - see Table 21	EATON	9395 Frame C	36	BOLTED	UUT 13
103008228	EATON	9395 FIUPM (Frame D)	17	BOLTED	UUT 14
103008226	EATON	9395 825-1kVA (Frame A + Frame C)	63	BOLTED	Interpolated
103006760	EATON	9395 825kVA & 1100-1kVA (Frame B + Frame C)	74	BOLTED	Interpolated
103008227	EATON	9395 1100kVA (Frame B + Frame C + Frame D)	91	BOLTED	Interpolated
103008229	EATON	9395 MBM	22	BOLTED	UUT 15

Static Switches

Part Number	Manufacturer	Description	Operating Weight (lb) ³	Mounting	Unit
103004889	EATON	STATIC SWITCH 30KVA	8	BOLTED	UUT 4
103004659	EATON	STATIC SWITCH 150A	15	BOLTED	Interpolated
103003652	EATON	STATIC SWITCH 150A	19	BOLTED	Interpolated
103003651	EATON	STATIC SWITCH 250A	32	BOLTED	UUT 6,7
103003862-007	EATON	STATIC SWITCH, 275KVA	33	BOLTED	Interpolated
103006392	EATON	STATIC SWITCH, 825KVA MOMENTARY	42	BOLTED	Interpolated
103003862	EATON	STATIC SWITCH 500A	45	BOLTED	Interpolated
103006759	EATON	STATIC SWITCH, 1100KVA MOMENTARY	66	BOLTED	Interpolated
103006113	EATON	STATIC SWITCH, 550KVA	68	BOLTED	UUT 11
103007416	EATON	STATIC SWITCH, 825KVA CONTINUOUS	123	BOLTED	Interpolated
103007183	EATON	STATIC SWITCH, 1100KVA CONTINUOUS	150	BOLTED	UUT 13

TABLE 2

CERTIFIED PRODUCT SUBCOMPONENT MATRIX (CONT'D)



Powering Business Worldwide

Breakers

Part Number	Manufacturer	Description	Operating Weight (lb) ³	Mounting	Unit
229-2-IREC5-33735-100	AIRPAX	CIRCUIT BREAKER	1	BOLTED	UUT 1, 2
209-2-34218-1-V	AIRPAX	CIRCUIT BREAKER	1	BOLTED	Interpolated
209-3-34218-2-V	AIRPAX	CIRCUIT BREAKER	2	BOLTED	UUT 2
EGS3125FFG	EATON	E-FRAME CIRCUIT BREAKER	3	BOLTED	UUT 4
EGK3125KSG	EATON	E-FRAME CIRCUIT BREAKER	3	BOLTED	Interpolated
EGS3125FFG	EATON	E-FRAME CIRCUIT BREAKER	3	BOLTED	Interpolated
EGS3070FFG	EATON	E-FRAME CIRCUIT BREAKER	3	BOLTED	Interpolated
FD2200S18	EATON	F-FRAME CIRCUIT BREAKER	3	BOLTED	UUT 4
GHC3020	EATON	G-FRAME CIRCUIT BREAKER	3	BOLTED	Interpolated
GHC3030	EATON	G-FRAME CIRCUIT BREAKER	3	BOLTED	Interpolated
GHC3060	EATON	G-FRAME CIRCUIT BREAKER	3	BOLTED	Interpolated
FD3225KLA06	EATON	F-FRAME CIRCUIT BREAKER	5	BOLTED	Interpolated
HFDDC3150LA1301U3801	EATON	F-FRAME CIRCUIT BREAKER	5	BOLTED	Interpolated
JGS325033G	EATON	J-FRAME CIRCUIT BREAKER	5	BOLTED	UUT 8,9
JGH325033G	EATON	J-FRAME CIRCUIT BREAKER	5	BOLTED	Interpolated
JGS310033G	EATON	J-FRAME CIRCUIT BREAKER	5	BOLTED	Interpolated
JGS3150FAG	EATON	J-FRAME CIRCUIT BREAKER	5	BOLTED	UUT 8
JGS3175FAG	EATON	J-FRAME CIRCUIT BREAKER	5	BOLTED	Interpolated
JGS3225FAG	EATON	J-FRAME CIRCUIT BREAKER	5	BOLTED	UUT 8
KD3400KWA06	EATON	K-FRAME CIRCUIT BREAKER	12	BOLTED	Interpolated
KD3300W	EATON	K-FRAME CIRCUIT BREAKER	12	BOLTED	UUT 7
KD3300WA06	EATON	K-FRAME CIRCUIT BREAKER	12	BOLTED	UUT 7
KD3350W	EATON	K-FRAME CIRCUIT BREAKER	12	BOLTED	UUT 6
KD3350WA13	EATON	K-FRAME CIRCUIT BREAKER	12	BOLTED	UUT 6
KD3300WA13	EATON	K-FRAME CIRCUIT BREAKER	12	BOLTED	Interpolated
KD3350WA06S10	EATON	K-FRAME CIRCUIT BREAKER	12	BOLTED	Interpolated
KD3400FK03P27	EATON	K-FRAME CIRCUIT BREAKER	12	BOLTED	UUT 6,7

TABLE 2

CERTIFIED PRODUCT SUBCOMPONENT MATRIX (CONT'D)



Powering Business Worldwide

Breakers Cont.

Part Number	Manufacturer	Description	Operating Weight (lb) ³	Mounting	Unit
KD3400FK03P27A06	EATON	K-FRAME CIRCUIT BREAKER	12	BOLTED	Interpolated
LGE3500FAW	EATON	L-FRAME CIRCUIT BREAKER	12	BOLTED	Interpolated
LGE3600FAW	EATON	L-FRAME CIRCUIT BREAKER	12	BOLTED	UUT 10
KGE360033W	EATON	K-FRAME CIRCUIT BREAKER	13	BOLTED	UUT 10
LGH360033W	EATON	L-FRAME CIRCUIT BREAKER	13	BOLTED	Interpolated
LGC360033W	EATON	L-FRAME CIRCUIT BREAKER	16	BOLTED	Interpolated
CLDB3600FT33WP05	EATON	L-FRAME CIRCUIT BREAKER	20	BOLTED	Interpolated
LD3600WKA06	EATON	L-FRAME CIRCUIT BREAKER	20	BOLTED	Interpolated
CNDC312T33WP08	EATON	N-FRAME CIRCUIT BREAKER	45	BOLTED	Interpolated
NGH312T33WA13P08S10	EATON	N-FRAME CIRCUIT BREAKER	45	BOLTED	Interpolated
NGC312T33WA13P08S10	EATON	N-FRAME CIRCUIT BREAKER	45	BOLTED	UUT 15
NGH312T33WA06P08	EATON	N-FRAME CIRCUIT BREAKER	45	BOLTED	Interpolated
NGC312T33WA06P08	EATON	N-FRAME CIRCUIT BREAKER	45	BOLTED	UUT 15
NGC312T33WP08	EATON	N-FRAME CIRCUIT BREAKER	45	BOLTED	UUT 11
MDSC203HEA-2052ANAN2ENNNFX	EATON	MDS-FRAME CIRCUIT BREAKER	133	BOLTED	Interpolated
RGC320T33WP16	EATON	R-FRAME CIRCUIT BREAKER	135	BOLTED	UUT 13

TABLE 2



Powering Business Worldwide

CERTIFIED PRODUCT SUBCOMPONENT MATRIX (CONT'D)

Contactors

Part Number	Manufacturer	Description	Operating Weight (lb) ³	Mounting	Unit
AF185-30-11-72	ABB	CONTACTOR	8	BOLTED	UUT 6
E111D10X3N	EATON	CONTACTOR	3	BOLTED	UUT 4
XTCE040D00WD	EATON	CONTACTOR	3	BOLTED	Interpolated
XTCE115G00WD	EATON	CONTACTOR	5	BOLTED	Interpolated
XTCE185L22TD	EATON	CONTACTOR	15	BOLTED	UUT 7
XTCE225L22TD	EATON	CONTACTOR	15	BOLTED	Interpolated
XTCE250L22TD	EATON	CONTACTOR	15	BOLTED	UUT 11, 12, 14
XTCE300M22TD	EATON	CONTACTOR	18	BOLTED	UUT 11, 12, 14
XTCE400M22TD	EATON	CONTACTOR	18	BOLTED	UUT 11, 12, 14
XTCEC10N22Y	EATON	CONTACTOR	33	BOLTED	Interpolated
XTCE580N22SWDE	EATON	CONTACTOR	33	BOLTED	UUT 11
XTCEC10N22Y	EATON	CONTACTOR	33	BOLTED	Interpolated
XTCEC14P22B	EATON	CONTACTOR	34	BOLTED	Interpolated
XTCEC20R22B	EATON	CONTACTOR	70	BOLTED	UUT 13

Power Modules

Part Number	Manufacturer	Description	Operating Weight (lb) ³	Mounting	Unit
103008425	EATON	POWER MODULE 208V	59	SLIDE IN TRAY	UUT 6
103008426	EATON	POWER MODULE 480V	59	SLIDE IN TRAY	UUT 7
103008427	EATON	POWER MODULE 400V	59	SLIDE IN TRAY	Interpolated
103006250	EATON	POWER MODULE 480V	944	BOLTED	Interpolated
103006652	EATON	POWER MODULE 400V	948	BOLTED	UUT 11, 12, 14

TABLE 2

CERTIFIED PRODUCT SUBCOMPONENT MATRIX (CONT'D)



Powering Business Worldwide

Transformers

Part Number	Manufacturer	Description	Operating Weight (lb) ³	Mounting	Unit
149502093	TRAFOTEK	XFMR, 600-208/208, (Cu)	203	BOLTED	UUT 2
V29M28E35M-50C	EATON	XFMR, 208/208 (Al)	313	BOLTED	UUT 5
V48M28E35M-50C	EATON	XFMR, 480/208 (Al)	313	BOLTED	Interpolated
V60M28E35M-50C	EATON	XFMR, 600/208 (Al)	313	BOLTED	Interpolated
V29M47E30M-50C	EATON	XFMR, 208/480 (Al)	313	BOLTED	Interpolated
V40004	EATON	XFMR,40KVA, K1, 208/208 (Al)	483	BOLTED	Interpolated
N40002	EATON	XFMR,40KVA, K13, 208/208 (Al)	483	BOLTED	Interpolated
G40001	EATON	XFMR, 40KVA, K20, 480/208V (Al)	485	BOLTED	Interpolated
N40001	EATON	XFMR, 40KVA, K13, 480/208V (Al)	492	BOLTED	Interpolated
V88001	EATON	XFMR, 80KVA, K1, 480/208 (Al)	527	BOLTED	Interpolated
G40002	EATON	XFMR,40KVA,K20,208/208 (Al)	528	BOLTED	Interpolated
V40003	EATON	XFMR, 40KVA, K1, 480/208V (Al)	573	BOLTED	Interpolated
V90001	EATON	XFMR,120KVA,K1,480V (Al)	632	BOLTED	Interpolated
G88002	EATON	XFMR,80KVA, K20 208/208 (Al)	684	BOLTED	Interpolated
N88001	EATON	XFMR, 80KVA, K13, 480/208 (Al)	716	BOLTED	Interpolated
V88002	EATON	XFMR,80KVA, K1, 208/208 (Al)	720	BOLTED	Interpolated
N88002	EATON	XFMR,80KVA, K13, 208/208 (Al)	748	BOLTED	Interpolated
G88001	EATON	XFMR, 80KVA, K20, 480/208 (Al)	748	BOLTED	UUT 8
V89001	EATON	XFMR, 160KVA, K1, 480/208 (Al)	912	BOLTED	Interpolated
N90001	EATON	XFMR, 120KVA, K13, 480V (Al)	993	BOLTED	Interpolated
G90001	EATON	XFMR, 120KVA, K20, 480V (Al)	1121	BOLTED	Interpolated
N89001	EATON	XFMR, 160KVA, K13, 480/208 (Al)	1121	BOLTED	Interpolated
G89001	EATON	XFMR, 160KVA, K20, 480/208 (Al)	1164	BOLTED	UUT 9

Notes

Cu = Copper, Al = Aluminum

TABLE 3



TESTED UNITS - DESIGN BASIS

Manufacturer: Eaton Corporation
Product Line: Uninterruptable Power Supplies and Accessories
Certified Product Construction: All enclosures are of bolted steel construction and comply with UL1778
Certified Options: Various enclosure sizes, electronics/power modules, static switches, circuit breakers, switches, contactors, transformers, and various other components as listed in the approved components list of this Special Seismic Certification summary
Certified Mounting Description: All equipment is to be rigid mounted per the mounting description sheets

Product Line	Model Line	Dimensions (inches) ¹			Weight (lb)	z/h	S _{DS}	Description	UUT
		Height	Width	Depth					
UNINTERRUPTABLE POWER SUPPLIES & ACCESSORIES	9X55	33	12	34	480	1	1.72	9355 15 kVA UPS (2-high)	1
	9X55	48	12	34	755	1	1.94	9355 15 kVA UPS (3-high)	2
	9X55	48	12	34	855	1	1.94	9X55 Extended Battery Module 96-Battery	3
	9X55	67	20	35	1155	1	1.72	9355 30 kVA UPS	4
	9X55	67	20	35	490	1	1.94	9355 Options Cabinet	5
	9390	74	28	32	900	1	1.81	9390 80 kVA UPS	6
	9390	74	45	32	1388	1	1.81	9390 160 kVA UPS	7
	9390	74	38	32	1356	1	1.87	9390 IDC 80 kVA	8
	9390	74	45	32	2028	1	1.87	9390 IDC 160 kVA	9
	9390	74	25	32	490	1	2.40	9390 IAC-T	10
	9395	74	53	35	1990	1	2.40	9395 550kVA - 1UPM UPS	11
	9395	74	74	35	3722	1	1.83	9395 3XUPM	12
	9395	74	67	35	1948	1	1.83	9395 1100 kVA ISBM	13
	9395	74	30	35	1380	1	1.83	9395 Field Installed UPM (FIUPM)	14
	9395	74	42	35	910	1	2.40	9395 200-550 kVA MBM	15

Notes

¹ Maximum Without Seismic Mounting/Bracing Kit

TABLE 4**TESTED UNITS - RESONANT FREQUENCIES**

Powering Business Worldwide

Manufacturer: Eaton Corporation**Product Line:** Uninterruptable Power Supplies and Accessories**Certified Product Construction:** All enclosures are of bolted steel construction and comply with UL1778**Certified Options:** Various enclosure sizes, electronics/power modules, static switches, circuit breakers, switches, contactors, transformers, and various other components as listed in the approved components list of this Special Seismic Certification summary**Certified Mounting Description:** All equipment is to be rigid mounted per the mounting description sheets

Product Line	Model Line	Lowest Natural Frequency (Hz) +/-			Description	UUT
		Front-Back	Side-Side	Vertical		
UNINTERRUPTABLE POWER SUPPLIES & ACCESSORIES	9X55	27.0	15.0	>33	9355 15 kVA UPS (2-high)	1
	9X55	17.0	8.8	>33	9355 15 kVA UPS (3-high)	2
	9X55	17.0	6.0	>33	9X55 Extended Battery Module 96-Battery	3
	9X55	6.4	6.4	>33	9355 30 kVA UPS	4
	9X55	7.5	7.2	>33	9355 Options Cabinet	5
	9390	8.1	6.7	>33	9390 80 kVA UPS	6
	9390	7.0	6.5	>33	9390 160 kVA UPS	7
	9390	9.3	14.0	>33	9390 IDC 80 kVA	8
	9390	6.2	9.2	>33	9390 IDC 160 kVA	9
	9390	7.0	7.2	>33	9390 IAC-T	10
	9395	7.0	7.2	>33	9395 550kVA - 1UPM UPS	11
	9395	12.0	11.0	>33	9395 3XUPM	12
	9395	15.0	16.0	>33	9395 1100 kVA ISBM	13
	9395	16.0	10.0	>33	9395 Field Installed UPM (FIUPM)	14
	9395	7.0	7.2	>33	9395 200-550 kVA MBM	15

Notes

1. Dimensions do not include seismic mounting kit

REFERENCE



Powering Business Worldwide

MODEL LINE NUMBERING

Manufacturer: Eaton Corporation
Product Line: Uninterruptable Power Supplies and Accessories
Model Line: 9X55

Eaton 9X55 UPS Series Products (8-15 kVA)

Column 1	Model Line	K = 9X55
Column 2	Base Model	A = 9355 - 15kVA 4 = 9155 - Split Phase 208/120V
Column 3 & 4	UPS kVA Rating	08 = 8kVA 10 = 10kVA 12 = 12kVA 15 = 15kVA
Column 5	System Type	1 = Reverse Transfer 2 = Parallel A = Reverse Transfer, FAA
Column 6	Battery Configuration	1 = 1 Battery Module 2 = 2 Battery Modules 3 = 1 Battery Module + Transformer Module 4 = 1 Battery Module w/o Batteries 5 = 2 Battery Modules w/o Batteries 6 = 1 Battery Module w/o Batteries + Transformer Module
Column 7	Voltage Configuration	0 = N/A (only 9155) 1 = 120/208V in/out, 50/60Hz Autodetect (only 9355) 2 = 127/220V in/out, 50/60Hz Autodetect (only 9355) 4 = 480V in, 120/208V out (only 9355) 6 = 600V in, 120/208V out (only 9355)
Column 8	Communication Options	0 = None 3 = ConnectUPS WE/SNMP with EMP 4 = Modbus Communication Card 5 = Standard Relay Interface Card 6 = Industrial Relay Interface Card 7 = Internal Modem Card
Column 9-12	Power Distribution	0-4, A-N, P, S, X - Various Plug Configurations
Column 13	Unused	0 = None
Column 14	Start-up Options	0-4, Various Warranty and Service Options
Column 15	Unused	0 = None

Note: BH Models are specific to UL924 Applications and are standard constructions with alternate labeling that is specific to UL924

REFERENCE



Powering Business Worldwide

MODEL LINE NUMBERING (CONT'D)

Manufacturer:	Eaton Corporation
Product Line:	Uninterruptable Power Supplies and Accessories
Model Line:	9X55

Eaton 9X55 UPS Series Products (20-30 kVA)

Column 1	Model Line	K = 9X55
Column 2	Base Model	B = 9355 - 30kVA
Column 3 & 4	UPS kVA Rating	20 = 20kVA
		30 = 30kVA
Column 5	System Type	1 = Reverse Transfer
		2 = Parallel
		3 = Reverse Transfer + Output Breaker
		4 = Parallel + Output Breaker
		A = Reverse Transfer, FAA
Column 6	Battery Configuration	0 = No Internal Battery
		3 = 3X Battery Shelves with Batteries
		4 = 3X Battery Shelves without Batteries
Column 7	Voltage Configuration	1 = 120/208V in/out, 50/60Hz Autodetect
		2 = 127/220V in/out, 50/60Hz Autodetect
		0 = None
Column 8	Communication Options	3 = ConnectUPS WE/SNMP with EMP
		4 = Modbus Communication Card
		5 = Standard Relay Interface Card
		6 = Industrial Relay Interface Card
		7 = Internal Modem Card
Column 9	Protection	0 = Bypass Fuses
		1 = No Bypass Fuses
Column 10-13	Unused	0000 = None
Column 14	Start-up Options	1-4, Various Warranty and Service Options
Column 15	Unused	0 = None

REFERENCE



MODEL LINE NUMBERING (CONT'D)

Manufacturer:	Eaton Corporation
Product Line:	Uninterruptable Power Supplies and Accessories
Model Line:	9X55

Eaton 9X55 Options Cabinet (20-30 kVA)

Column 1	Model Line	K = 9X55
Column 2	Base Model	B = 9355 - 30kVA
Column 3 & 4	Cabinet Type	T0 = Option Cabinet
Column 5	Unused	0 = None
Column 6	Configuration	0 = No Transformer (MBS Only)
		1 = Input Transformer + MBS
		2 = Input Transformer, No MBS
		3 = Output Transformer, No MBS
		4 = Input Transformer + Output Transformer + MBS
Column 7	Voltage Configuration	0 = None MBS Only
		1 = 208V
		2 = 480V
		3 = 600V
Column 8-13	Unused	000000 = None
Column 14	OEM	1 = Eaton
Column 15	Unused	0 = None

REFERENCE



Powering Business Worldwide

MODEL LINE NUMBERING (CONT'D)

Manufacturer: Eaton Corporation
Product Line: Uninterruptible Power Supplies and Accessories
Model Line: 9390

Eaton 9390 UPS Series Products (40-160 kVA)

Column 1	Model Line	T = 9390
Column 2	Base Model	A = 40kVA B = 80kVA C = 120kVA D = 160kVA
Column 3 & 4	UPS kVA Rating	02 = 20kVA 03 = 30kVA 04 = 40kVA 05 = 50kVA 06 = 60kVA 08 = 80kVA 10 = 100kVA 12 = 120kVA 16 = 160kVA
Column 5	System Type	1 = Reverse Transfer 2 = Parallel 3 = Frequency Converter 4 = Power Conditioner A = RT w/ESS B = Parallel w/ESS
Column 6	Voltage Configuration	1 = 208 in / 208 out 2 = 480 in / 480 out 7 = 50Hz 208 in / 208 out 8 = 50Hz 480 in / 480 out 9 = 60Hz 220 in / 208 out A = 50Hz 220 in / 208 out B = 60Hz 220 in / 220 out C = 50Hz 220 in / 220 out
Column 7-10	Internal Communications Options	0 = No Additional Communication Options 1 = CEO, Comm. Expansion Option 2 = Hot Sync CAN Bridge Card 3 = ConnectUPS WE/SNMP with EMP 4 = Modbus Communication Card 5 = Standard Relay Interface Card 6 = Industrial Relay Interface Card 7 = Internal Modem Card A = Power X Gateway B = Connect UPS X
Column 11	DC Voltage	1 = 384 2 = 432 3 = 480 6 = NiCD (Energysys) 7 = NiCD (Saft)
Column 12	Service & Sidecar Options	0 = No Options 1 = Internal Switch 2 = IAC-SB 2 Breaker 3 = IAC-SB 3 Breaker 4 = IAC-SB 4 Breaker 8 = IAC-ST 2 Breaker HS Tie Cabinet 9 = IAC-ST 3 Breaker HS Tie Cabinet C = IAC-ST 2 Breaker HS Tie Cabinet w/Cables D = IAC-ST 3 Breaker HS Tie Cabinet w/Cables
Column 13	Neutral Forming Kit	0 = None 1 = Input Option Kit 480V 2 = Input Option Kit 208V/220V
Column 14	Language Options	1-9, A-F
Column 15	Accessories	0 = None 1 = Remote Install 2 = Load Sync 3 = Remote Install & Load Sync

REFERENCE



MODEL LINE NUMBERING (CONT'D)

Manufacturer: Eaton Corporation
Product Line: Uninterruptible Power Supplies and Accessories
Model Line: 9390

Eaton 9390 IDC (40-160 kVA) (Integrated Distribution Cabinet)

Column 1	Model Line	TQ = 9390
Column 2 & 3	kVA Rating	04 = 40kVA
		08 = 80kVA
		12 = 120kVA
		16 = 160kVA
Column 4	Breaker Rating	01 = Standard kAIC
		02 = High kAIC
Column 5	Voltage Configuration	1 = 208/208 60Hz
		5 = 480/208 60Hz
Column 6	Maintenance Bypass	1 = Maintenance Bypass
		2 = Maintenance Bypass with BIB
		3 = Maintenance Bypass with BIB and RIB
Column 7	Transformer	0 = None
		1 = K1 Aluminum
		2 = K13 Aluminum
		3 = K20 Aluminum
Column 8 (Left) & 9 (Right)	Output Configuration	0 = None
		1 = 1 Breaker
		2 = 2 Breaker
		3 = 3 Breaker
		4 = 42 Pole Panel Board (40kVA and 80kVA)
		P = 42 Pole Panel Board (120kVA and 160kVA)
Column 10	Mounting Configuration	0 = Standard Configuration
		1 = 40/80kVA Seismic Kit ¹
Column 11 & 12	Unused	0 = None
Column 13	Wiring Options	0 = Top and Bottom Entry
		1 = Bottom Cable Entry
Column 14	Options	0 = None
		2 = Dress Skins
Column 15	Language Options	1 = English

Notes

1. Only applicable to the 40/80kVA IDC Frame. The 120/160kVA frame has seismic kit ordered separately.

REFERENCE



Powering Business Worldwide

MODEL LINE NUMBERING (CONT'D)

Manufacturer:	Eaton Corporation
Product Line:	Uninterruptable Power Supplies and Accessories
Model Line:	9390

Eaton 9390 IAC-T/B (40-160 kVA) (Integrated Accessory Cabinet - Tie/Bypass)

Column 1	Model Line	T = 9390
Column 2	Cabinet Size	M = Maintenance Bypass T = Tie Cabinet
Column 3 & 4	kVA Rating	04 = 40kVA 08 = 80kVA 12 = 120kVA 16 = 160kVA
Column 5	Unused	0 = None
Column 6	Voltage Configuration	1 = 208 60Hz 2 = 480 60Hz
Column 7	Breaker Rating	01 = Standard kAIC 02 = High kAIC
Column 8	Cabinet Configuration	1 = 2 Breaker Maintenance Bypass 2 = 3 Breaker Maintenance Bypass 3 = 4 Breaker Maintenance Bypass 4 = 2 Breaker Tie 5 = 2 Breaker Tie + 1 Breaker Subfeed Load 6 = 2 Breaker Tie + 2 Breaker Maintenance Bypass
Column 9	Remote/Line Match	1 = Line-up-and-Match 2 = Remote
Column 10 & 11	Unused	00 = None
Column 12	Cable Options	0 = None 1 = 120kVA 208V 2 = 160kVA 208V
Column 13	Distribution Breakers	0 = None 1 = (2) 250A Trip 2 = (2) 100A Trip 3 = (1) 100A Trip, (1) 250A Trip
Column 14	Unused	0 = None
Column 15	Language Options	1 = English

REFERENCE



MODEL LINE NUMBERING (CONT'D)

Manufacturer:	Eaton Corporation
Product Line:	Uninterruptable Power Supplies and Accessories
Model Line:	9390

Eaton 9390 IAC-D (40-160 kVA) (Integrated Accessory Cabinet - Distribution)

Column 1	Model Line	T = 9390
Column 2	Cabinet Size	V = Distribution Cabinet
Column 3	kVA Rating	D = 160kVA
Column 4	Unused	0 = None
Column 5	Output Configuration (bottom)	1 = 1 Distribution Breaker
		2 = 2 Distribution Breaker
		3 = 3 Distribution Breaker
		B = 42 Pole Panel (bolt-on breakers)
		P = 42 Pole Panel (push-on breakers)
Column 6	Distribution Breaker Configuration (bottom)	0 = None (42 Pole Panel)
		A = All 250A Trip Unit
		R = All 100A Trip Unit
		1 = 1 Breaker with reduced 100A trip unit
		2 = 2 Breaker with reduced 100A trip unit
Column 7	Unused	0 = None
Column 8	Unused	0 = None
Column 9	Output Configuration (top)	0 = None
		1 = 1 Distribution Breaker
		2 = 2 Distribution Breaker
		3 = 3 Distribution Breaker
		B = 42 Pole Panel (bolt-on breakers)
Column 10	Distribution Breaker Configuration (top)	P = 42 Pole Panel (push-on breakers)
		0 = None (42 Pole Panel)
		A = All 250A Trip Unit
		R = All 100A Trip Unit
		1 = 1 Breaker with reduced 100A trip unit
Column 11-13	Unused	000 = None
Column 14	Options	0 = None
		2 = Dress Skins
Column 15	Language Options	1 = English

REFERENCE



MODEL LINE NUMBERING (CONT'D)

Manufacturer: Eaton Corporation
Product Line: Uninterruptible Power Supplies and Accessories
Model Line: 9395

Eaton 9395 UPS Series Products (200-1100 kVA)

Column 1	Model Line	
Column 2	Base Model	C = 9395
		A = 275 Capacity w/CSTS
		B = 275 Redundant w/CSTS
		C = 550 Capacity w/ CSTS
		D = 550 Redundant w/CSTS
		E = 825 Capacity w/CSTS
		G = 825 Redundant w/CSTS
		H = 1100 Capacity w/CSTS
		L = 550 Capacity no STS
		M = 550 Redundant no STS
		N = 825 Capacity no STS
		P = 825 Redundant no STS
		Q = 1100 Capacity no STS
		R = 550 Undercapacity w/CSTS
		S = 825 Undercapacity w/CSTS
		T = 1100 Undercapacity w/CSTS
		U = 825 Capacity w/MSTS
		V = 825 Redundant w/MSTS
		W = 1100 Capacity w/MSTS
		Y = 1100 Undercapacity w/MSTS
Column 3 & 4	UPS kVA Rating	2 = 200 Capacity w/CSTS
		4 = 400 Capacity w/CSTS
		20 = 200kVA
		22 = 220kVA
		25 = 250kVA
		27 = 275kVA
		30 = 300kVA
		40 = 400kVA
		45 = 450kVA
		50 = 500kVA
		55 = 550kVA
		60 = 600kVA
Column 5	Voltage Configuration	65 = 650kVA
		67 = 675kVA
		75 = 750kVA
		82 = 825kVA
Column 6	Applications	90 = 900kVA
		10 = 1000kVA
		11 = 1100kVA
		1 = 480/480V 60Hz
Column 7	Battery Set-up / Rectifier Feeds	2 = 480/480V 50Hz
		3 = 400/400V 50Hz
		4 = 400/400V 60Hz
		0 = None
Column 8	Continued Next Page	1 = Frequency Converter
		2 = Power Conditioner
		3 = Distributed Bypass
		4 = System Bypass Module
		3 = 480V Separate Battery, Common Rectifier Feeds
		6 = 480V Common Battery, Common Rectifier Feeds
		9 = 480V Separate Battery, Separate Rectifier Feeds

REFERENCE



Powering Business Worldwide

MODEL LINE NUMBERING (CONT'D)

Manufacturer: Eaton Corporation
Product Line: Uninterruptable Power Supplies and Accessories
Model Line: 9395

Eaton 9395 UPS Series Products (200-1100 kVA)

<p>Column 8</p>	<p>Breaker/Load Sync Options</p>	<p>0 = No Input Breaker 1 = Input Breaker, 65kAIC 2 = No Input Breaker, Load Sync control 3 = Input Breaker, 65kAIC, Load Sync Control 4 = Input Breaker, 100kAIC 5 = Input Breaker, 100kAIC, Load Sync Control 6 = No Input Breaker, MBS Option 7 = Input Breaker, 65kAIC, MBS Option 8 = No Input Breaker, Load Sync Control, MBS Option 9 = Input Breaker, 65kAIC, Load Sync Control, MBS Option A = Input Breaker, 100kAIC, MBS Option B = Input Breaker, 100kAIC, Load Sync Control, MBS Option</p>
<p>Column 9</p>	<p>Options</p>	<p>0 = Standard 1 = Inherent Redundant 2 = Standard, ESS 3 = Inherent Redundant, ESS 5 = Inherent Redundant, VMMS 6 = Inherent Redundant, ESS, VMMS</p>
<p>Column 10</p>	<p>Customer Specific Applications</p>	<p>0 = None 1 = FAA</p>
<p>Column 11</p>	<p>Feed Options</p>	<p>0 = None 1 = Single Feed 2 = Neutral Forming Kit 3 = Single Feed and Neutral Forming Kit</p>
<p>Column 12 & 13</p>	<p>Unused</p>	<p>00 = None</p>
<p>Column 14 & 15</p>	<p>Location/Model Generation</p>	<p>R1 = Standard R2 = Distributed Bypass Capable R3 = ESS Capable R4 = Load Sharing Enhancement</p>

REFERENCE



Powering Business Worldwide

MODEL LINE NUMBERING (CONT'D)

Manufacturer: Eaton Corporation
Product Line: Uninterruptable Power Supplies and Accessories
Model Line: 9395

Eaton 9395 MBM (200-550 kVA) (Maintenance Bypass Module)

Column 1-4	Model Line	MBM9 = 9395 Maintenance Bypass module
Column 5	Base Model	A = 275 B = 550
Column 6 & 7	kVA Rating	20 = 200kVA
		22 = 225kVA
		25 = 250kVA
		27 = 275kVA
		30 = 300kVA
		35 = 350kVA
		40 = 400kVA
		45 = 450kVA
Column 8	Voltage Rating	50 = 500kVA
		55 = 550kVA
		1 = 480V
Column 9	Breaker Configuration	1 = 2 Breaker 65kAIC
		2 = 2 Breaker 100kAIC
		3 = 3 Breaker 65kAIC
		4 = 3 Breaker 100kAIC
		5 = 4 Breaker 65kAIC
		6 = 4 Breaker 100kAIC
Column 10	Breaker Interlock	1 = Electrical 2 = Kirk Key
Column 11	System Configuraiton	1 = Remote 2 = Line/Match
Column 12-15	Unused	0000 = None

TABLE 5a: UUT-1



UNIT UNDER TEST (UUT) SUMMARY SHEET

Test Laboratory:	Wyle Laboratories (Test Report #55906R08-9, EUT 27)
Manufacturer:	Eaton Corporation
Product Line:	Uninterruptable Power Supplies and Accessories
Model Line:	9X55
Model Number:	KA151110000010
Product Construction Summary:	9355 15 kVA UPS with 32-Battery (2-high)
Options/Component Summary:	Frame (Eaton), Seismic Kit (Eaton), Electronics Module (Eaton), Batteries (CSB), Breaker (Airpax)

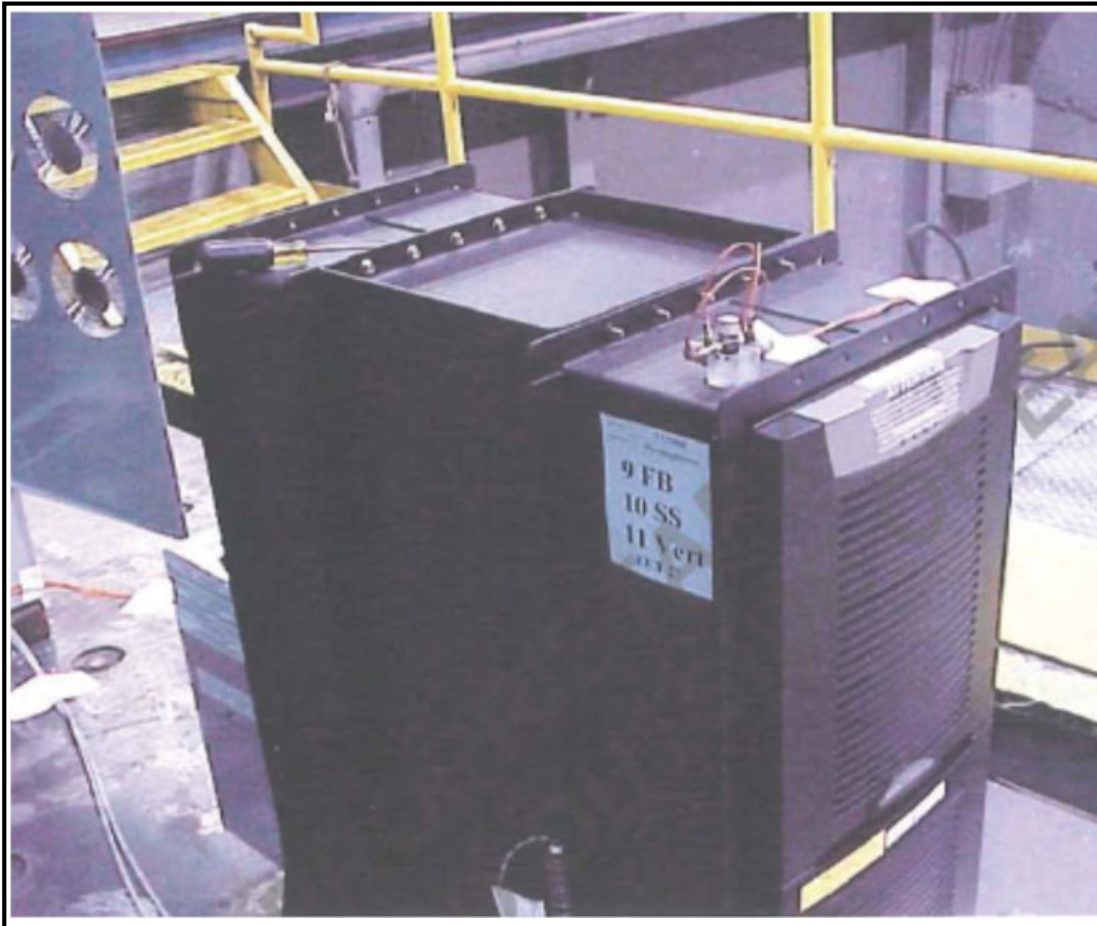
UUT PROPERTIES

Weight (lb)	Test Report & EUT #	Dimensions (inches) ¹			Lowest Natural Frequency (Hz) +/-		
		Height	Width	Depth	Front-Back	Side-Side	Vertical
480	55906R08-9 EUT 27	33	12	34	27.0	15.0	>33

Seismic Test Parameters

Building Code	Test Criteria	S _{DS}	z/h	I _p	A _{FLX-H}	A _{RIG-H}	A _{FLX-V}	A _{RIG-V}
CBC 2010	ICC-ES AC156	1.72	1	1.5	2.75	2.06	1.15	0.46

Unit Under Test



Notes

¹ Maximum Without Seismic Mounting/Bracing Kit

TABLE 5b: UUT-1



UNIT UNDER TEST (UUT) MOUNTING DESCRIPTION

Test Laboratory:	Wyle Laboratories (Test Report #55906R08-9, EUT 27)
Manufacturer:	Eaton Corporation
Product Line:	Uninterruptible Power Supplies and Accessories
Model Line:	9X55
Model Number:	KA151110000010

Mounting Description:

The UUT was rigid mounted to steel floor members using the mounting pattern shown below. The steel floor members were welded to the shake table.

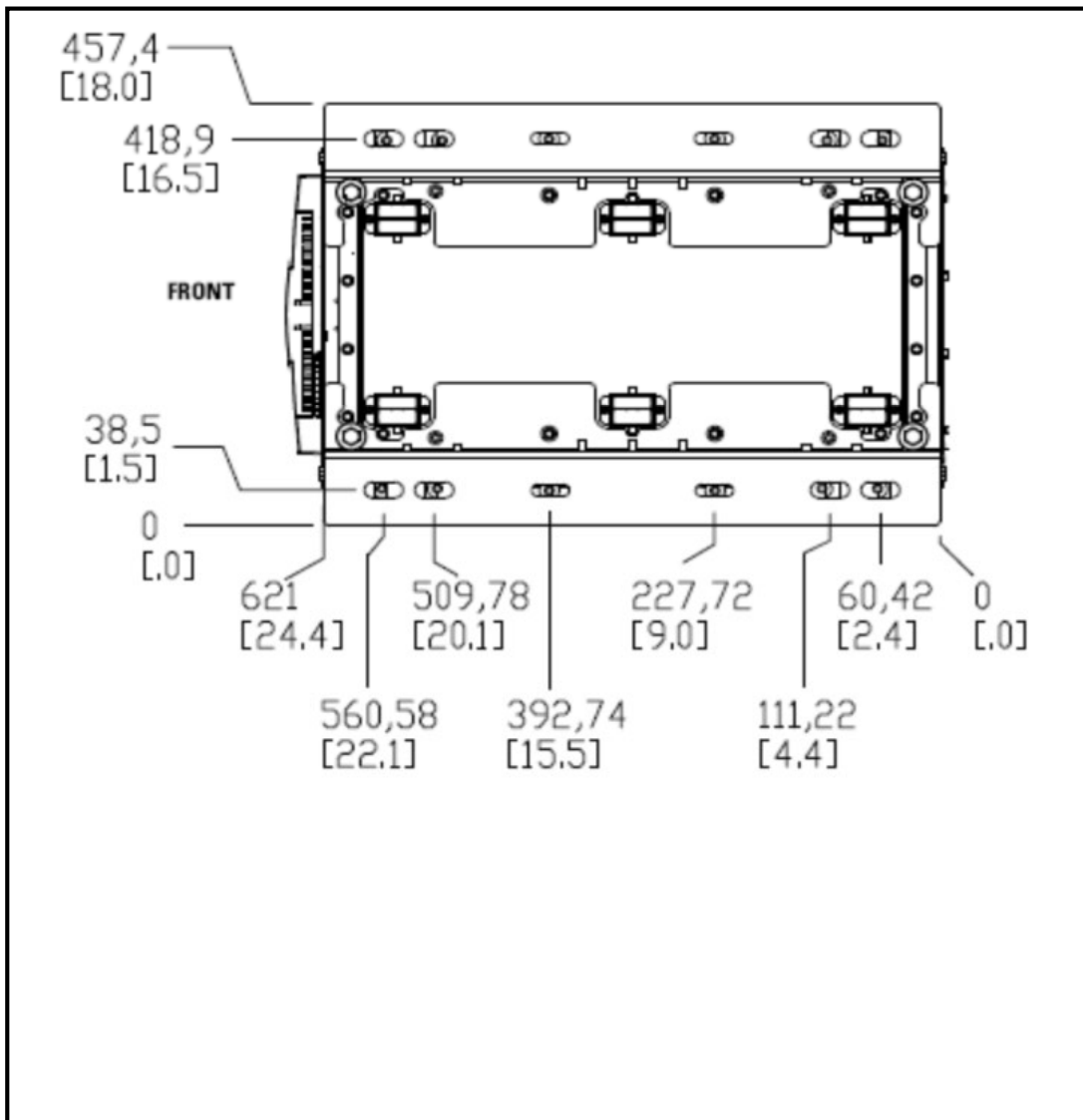


TABLE 6a: UUT-2



UNIT UNDER TEST (UUT) SUMMARY SHEET

Test Laboratory:	Wyle Laboratories (Test Report #55906R08-13, EUT 21)
Manufacturer:	Eaton Corporation
Product Line:	Uninterruptable Power Supplies and Accessories
Model Line:	9X55
Model Number:	KA151340000010
Product Construction Summary:	9355 15 kVA UPS with 32-Battery and Transformer (3-high)
Options/Component Summary:	Frame (Eaton), Seismic Kit (Eaton), Electronics Module (Eaton), Breaker (Airpax), Batteries (CSB), Transformer (Trafotek)

UUT PROPERTIES

Weight (lb)	Test Report & EUT #	Dimensions (inches) ¹			Lowest Natural Frequency (Hz) +/-		
		Height	Width	Depth	Front-Back	Side-Side	Vertical
755	55906R08-13 EUT 21	48	12	34	17.0	8.8	>33

Seismic Test Parameters

Building Code	Test Criteria	S _{DS}	z/h	I _p	A _{FLX-H}	A _{RIG-H}	A _{FLX-V}	A _{RIG-V}
CBC 2010	ICC-ES AC156	1.94	1	1.5	3.10	2.33	1.29	0.52

Unit Under Test



Notes

¹ Maximum Without Seismic Mounting/Bracing Kit

TABLE 6b: UUT-2



UNIT UNDER TEST (UUT) MOUNTING DESCRIPTION

Test Laboratory:	Wyle Laboratories (Test Report #55906R08-13, EUT 21)
Manufacturer:	Eaton Corporation
Product Line:	Uninterruptable Power Supplies and Accessories
Model Line:	9X55
Model Number:	KA151340000010

Mounting Description:

The UUT was rigid mounted to steel floor members using the mounting pattern shown below. The steel floor members were welded to the shake table.

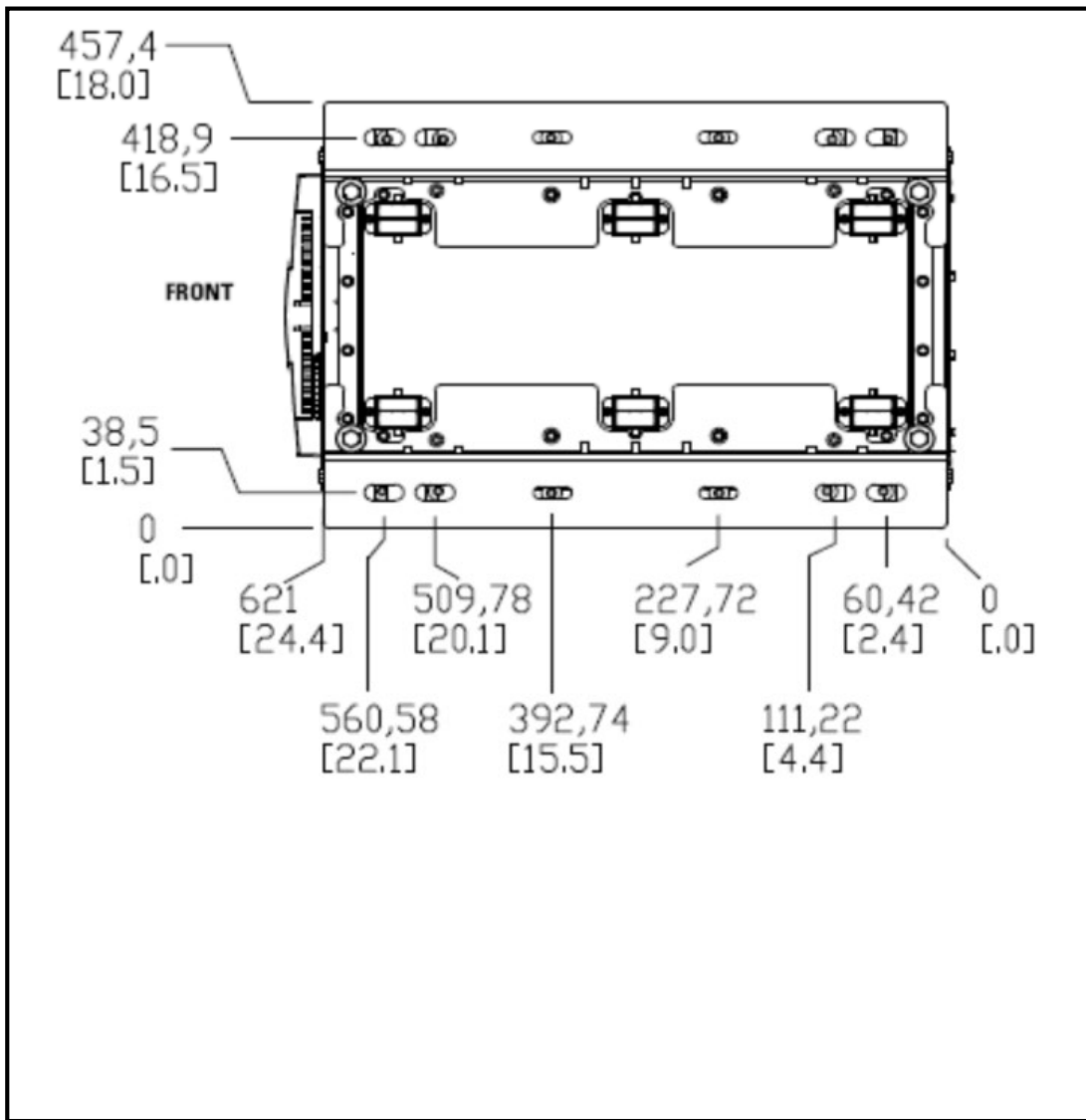


TABLE 7a: UUT-3



UNIT UNDER TEST (UUT) SUMMARY SHEET

Test Laboratory:	Wyle Laboratories (Test Report #55906R08-12, EUT 19)
Manufacturer:	Eaton Corporation
Product Line:	Uninterruptable Power Supplies and Accessories
Model Line:	9X55
Model Number:	103004193-5501
Product Construction Summary:	9X55 Extended Battery Module 96-Battery
Options/Component Summary:	Frame (Eaton), Seismic Kit (Eaton), Batteries (CSB)

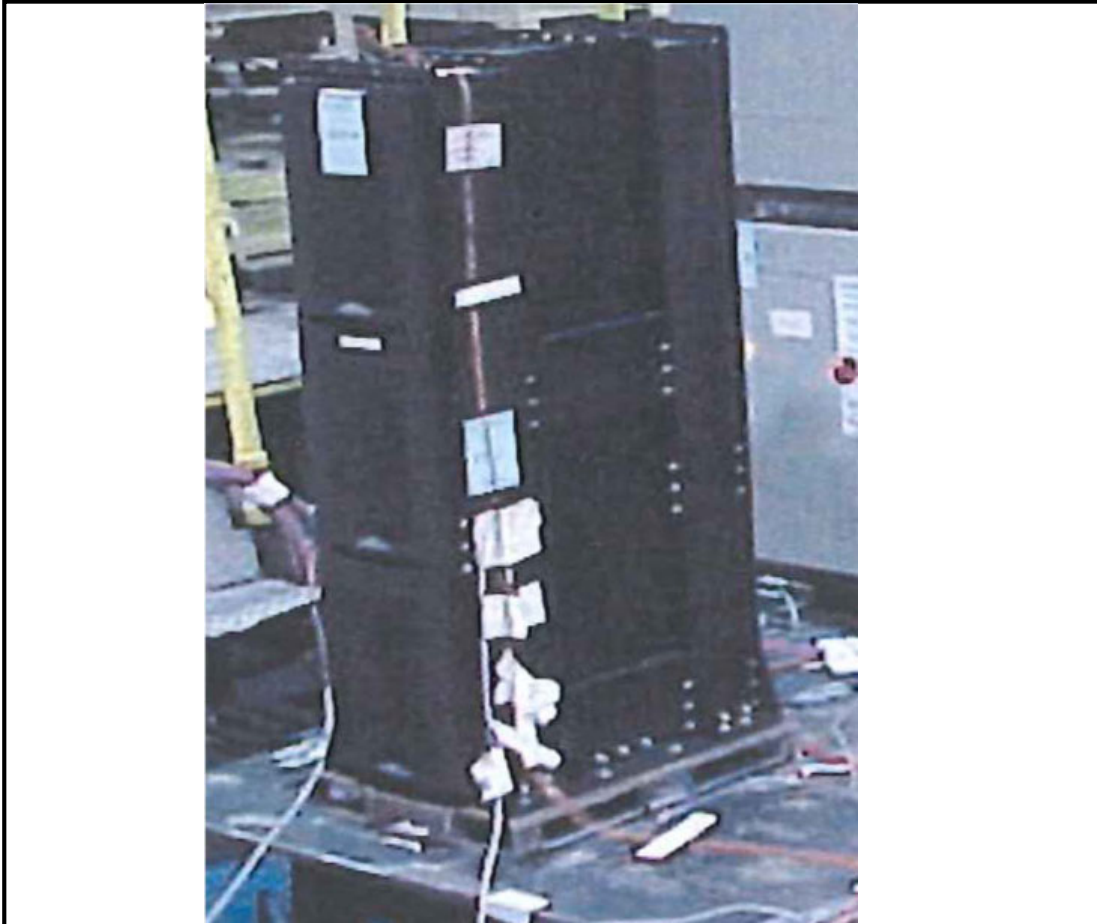
UUT PROPERTIES

Weight (lb)	Test Report & EUT #	Dimensions (inches) ¹			Lowest Natural Frequency (Hz) +/-		
		Height	Width	Depth	Front-Back	Side-Side	Vertical
855	55906R08-12 EUT 19	48	12	34	17.0	6.0	>33

Seismic Test Parameters

Building Code	Test Criteria	S _{DS}	z/h	I _p	A _{FLX-H}	A _{RIG-H}	A _{FLX-V}	A _{RIG-V}
CBC 2010	ICC-ES AC156	1.94	1	1.5	3.10	2.33	1.29	0.52

Unit Under Test



Notes

¹ Maximum Without Seismic Mounting/Bracing Kit

TABLE 7b: UUT-3



UNIT UNDER TEST (UUT) MOUNTING DESCRIPTION

Test Laboratory:	Wyle Laboratories (Test Report #55906R08-12, EUT 19)
Manufacturer:	Eaton Corporation
Product Line:	Uninterruptible Power Supplies and Accessories
Model Line:	9X55
Model Number:	103004193-5501

Mounting Description:

The UUT was rigid mounted to steel floor members using the mounting pattern shown below. The steel floor members were welded to the shake table.

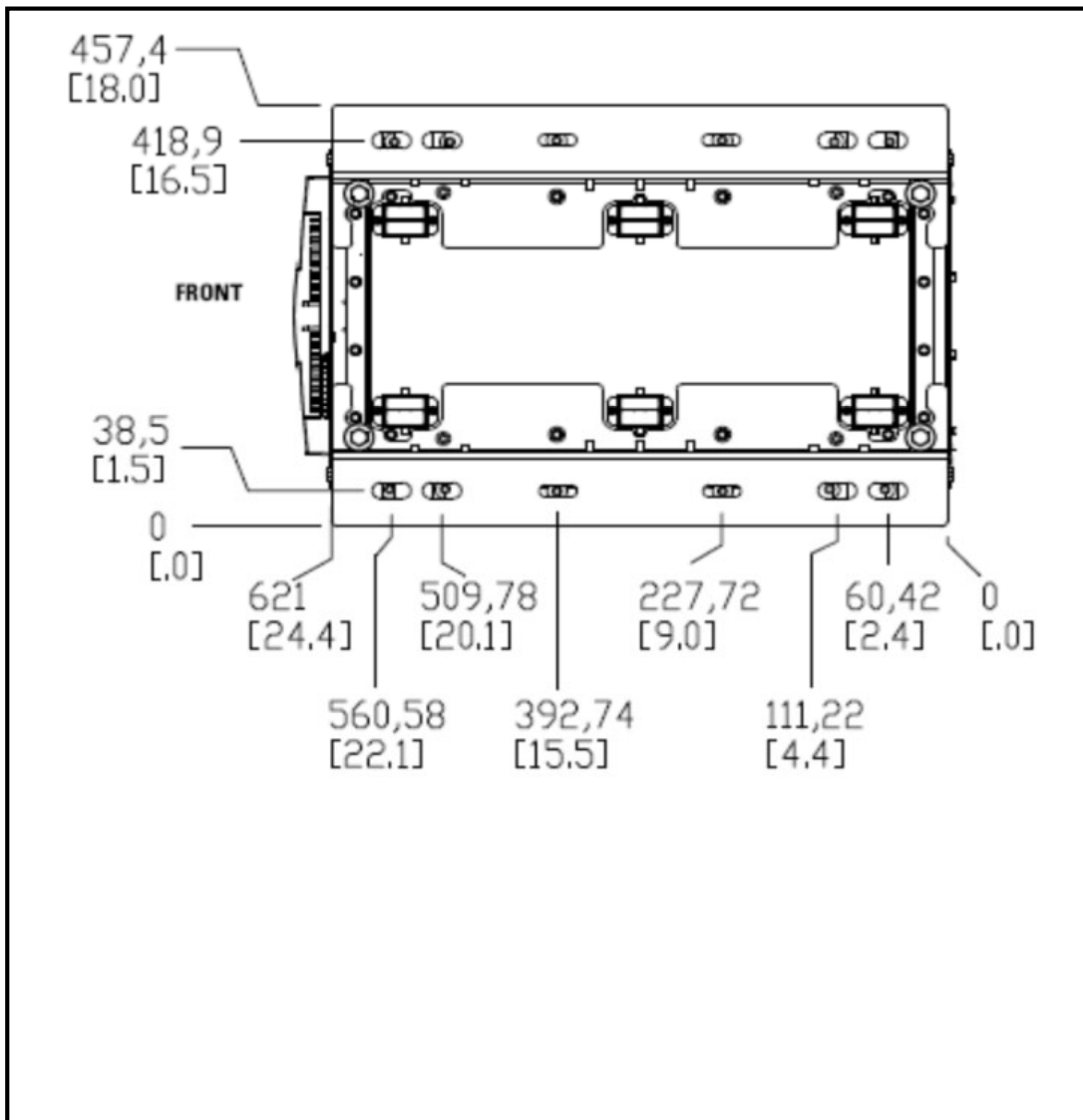


TABLE 8a: UUT-4



UNIT UNDER TEST (UUT) SUMMARY SHEET

Test Laboratory:	Wyle Laboratories (Test Report #55906R08-9, EUT 13)
Manufacturer:	Eaton Corporation
Product Line:	Uninterruptable Power Supplies and Accessories
Model Line:	9X55
Model Number:	KB3013100000010
Product Construction Summary: 9355 30 kVA UPS	
Options/Component Summary: Frame (Eaton), Seismic Kit (Eaton), Electronics Module (Eaton), Batteries (CSB), Breaker (Eaton), Contactor (Eaton)	

UUT PROPERTIES

Weight (lb)	Test Report & EUT #	Dimensions (inches) ¹			Lowest Natural Frequency (Hz) +/-		
		Height	Width	Depth	Front-Back	Side-Side	Vertical
1155	55906R08-9 EUT 13	67	20	35	6.4	6.4	>33

Seismic Test Parameters

Building Code	Test Criteria	S _{DS}	z/h	I _p	A _{FLX-H}	A _{RIG-H}	A _{FLX-V}	A _{RIG-V}
CBC 2010	ICC-ES AC156	1.72	1	1.5	2.75	2.06	1.15	0.46

Unit Under Test



Notes

¹ Maximum Without Seismic Mounting/Bracing Kit

TABLE 8b: UUT-4



Powering Business Worldwide

UNIT UNDER TEST (UUT) MOUNTING DESCRIPTION

Test Laboratory: Wyle Laboratories (Test Report #55906R08-9, EUT 13)

Manufacturer: Eaton Corporation

Product Line: Uninterruptable Power Supplies and Accessories

Model Line: 9X55

Model Number: KB301310000010

Mounting Description:

The UUT was rigid mounted to steel floor members using the mounting pattern shown below. The steel floor members were welded to the shake table.

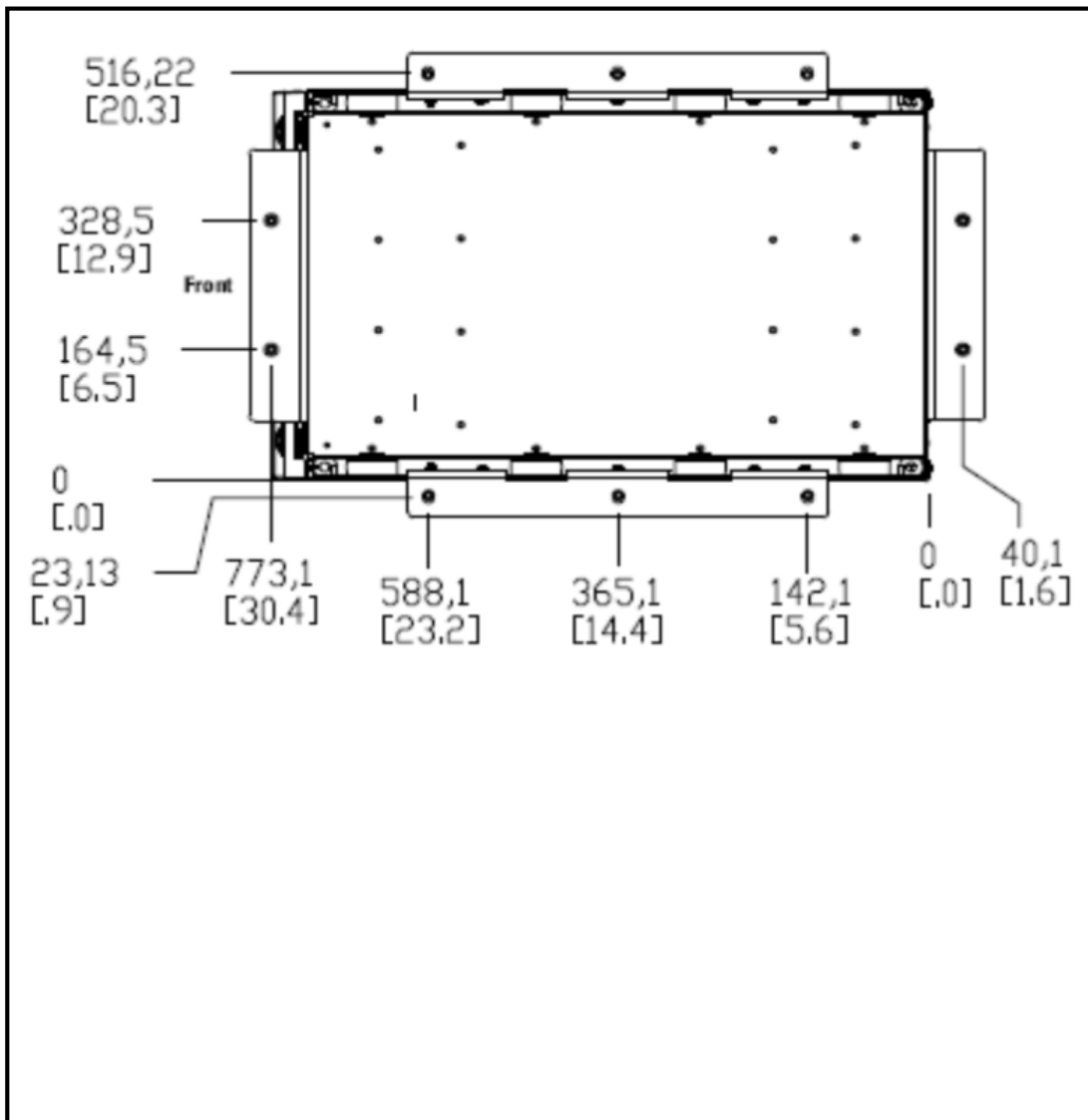


TABLE 9a: UUT-5



UNIT UNDER TEST (UUT) SUMMARY SHEET

Test Laboratory:	Wyle Laboratories (Test Report #55906R08-8, EUT 5)
Manufacturer:	Eaton Corporation
Product Line:	Uninterruptable Power Supplies and Accessories
Model Line:	9X55
Model Number:	KBT00110000010
Product Construction Summary:	9355 Options Cabinet
Options/Component Summary:	Frame (Eaton), Seismic Kit (Eaton), Transformer (Eaton)

UUT PROPERTIES

Weight (lb)	Test Report & EUT #	Dimensions (inches) ¹			Lowest Natural Frequency (Hz) +/-		
		Height	Width	Depth	Front-Back	Side-Side	Vertical
490	55906R08-8 EUT 5	67	20	35	7.5	7.2	>33

Seismic Test Parameters

Building Code	Test Criteria	S _{DS}	z/h	I _p	A _{FLX-H}	A _{RIG-H}	A _{FLX-V}	A _{RIG-V}
CBC 2010	ICC-ES AC156	1.94	1	1.5	3.10	2.33	1.29	0.52

Unit Under Test



Notes

¹ Maximum Without Seismic Mounting/Bracing Kit

TABLE 9b: UUT-5



UNIT UNDER TEST (UUT) MOUNTING DESCRIPTION

Test Laboratory:	Wyle Laboratories (Test Report #55906R08-8, EUT 5)
Manufacturer:	Eaton Corporation
Product Line:	Uninterruptable Power Supplies and Accessories
Model Line:	9X55
Model Number:	KBT00110000010

Mounting Description:

The UUT was rigid mounted to steel floor members using the mounting pattern shown below. The steel floor members were welded to the shake table.

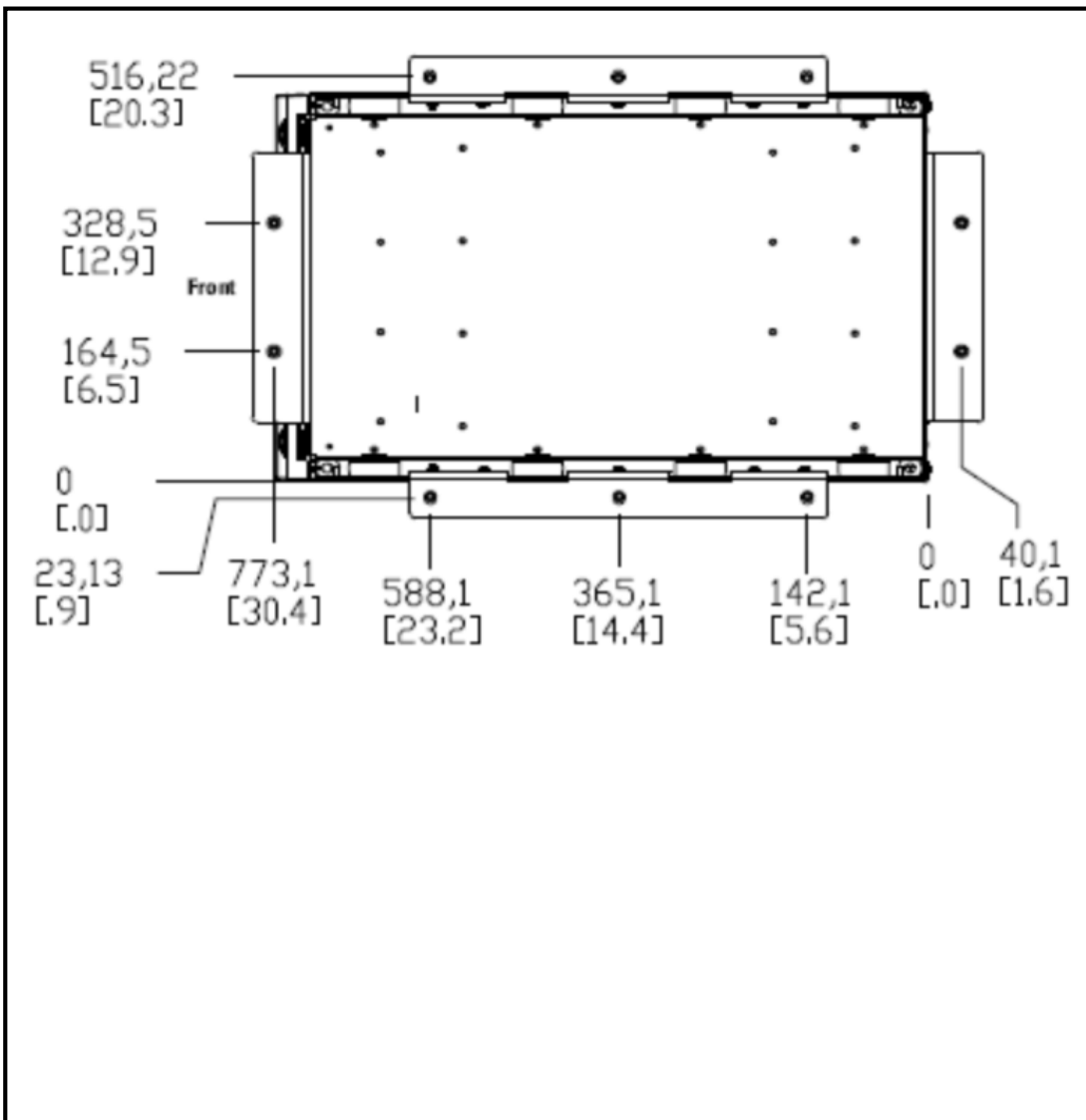


TABLE 10a: UUT-6



UNIT UNDER TEST (UUT) SUMMARY SHEET

Test Laboratory:	Westinghouse (Test Report #EQLR-157C, EUT7)
Manufacturer:	Eaton Corporation
Product Line:	Uninterruptable Power Supplies and Accessories
Model Line:	9390
Model Number:	TB0811001133010
Product Construction Summary:	9390 80 kVA UPS
Options/Component Summary:	Frame (Eaton), Seismic Kit (Eaton), Static Switch (Eaton), Power Module (Eaton), Breaker (Eaton), Contactor (ABB)

UUT PROPERTIES

Weight (lb)	Test Report & EUT #	Dimensions (inches) ¹			Lowest Natural Frequency (Hz) +/-		
		Height	Width	Depth	Front-Back	Side-Side	Vertical
900	EQLR-157C EUT 7	74	28	32	8.1	6.7	>33

Seismic Test Parameters

Building Code	Test Criteria	S _{DS}	z/h	I _p	A _{FLX-H}	A _{RIG-H}	A _{FLX-V}	A _{RIG-V}
CBC 2010	ICC-ES AC156	1.81	1	1.5	2.90	2.17	1.21	0.48

Unit Under Test



Notes

¹ Maximum Without Seismic Mounting/Bracing Kit

TABLE 10b: UUT-6



Powering Business Worldwide

UNIT UNDER TEST (UUT) MOUNTING DESCRIPTION

Test Laboratory:	Westinghouse (Test Report #EQLR-157C, EUT7)
Manufacturer:	Eaton Corporation
Product Line:	Uninterruptable Power Supplies and Accessories
Model Line:	9390
Model Number:	TB0811001133010

Mounting Description:

The UUT was rigid mounted to steel floor members using the mounting pattern shown below. The steel floor members were welded to the shake table.

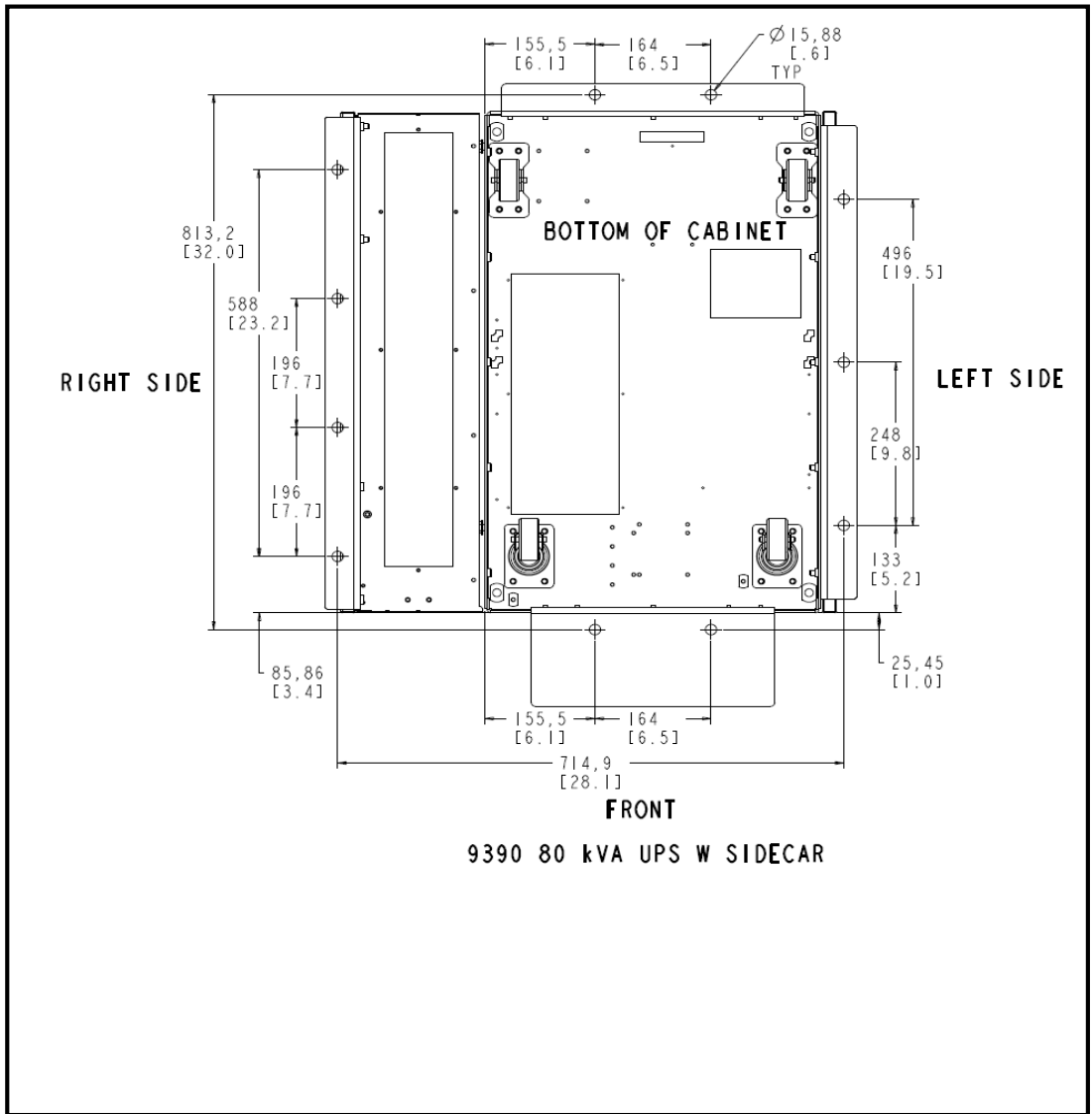


TABLE 11a: UUT-7



UNIT UNDER TEST (UUT) SUMMARY SHEET

Test Laboratory:	Westinghouse (Test Report #EQLR-157D, EUT10)
Manufacturer:	Eaton Corporation
Product Line:	Uninterruptible Power Supplies and Accessories
Model Line:	9390
Model Number:	TD1612001134010
Product Construction Summary:	9390 160 kVA UPS
Options/Component Summary:	Frame (Eaton), Seismic Kit (Eaton), Static Switch (Eaton), Power Module (Eaton), Breaker (Eaton), Contactor (Eaton)

UUT PROPERTIES

Weight (lb)	Test Report & EUT #	Dimensions (inches) ¹			Lowest Natural Frequency (Hz) +/-		
		Height	Width	Depth	Front-Back	Side-Side	Vertical
1388	EQLR-157D EUT 10	74	45	32	7.0	6.5	>33

Seismic Test Parameters

Building Code	Test Criteria	S _{DS}	z/h	I _p	A _{FLX-H}	A _{RIG-H}	A _{FLX-V}	A _{RIG-V}
CBC 2010	ICC-ES AC156	1.81	1	1.5	2.90	2.17	1.21	0.48

Unit Under Test



Notes

¹ Maximum Without Seismic Mounting/Bracing Kit

TABLE 11b: UUT-7



Powering Business Worldwide

UNIT UNDER TEST (UUT) MOUNTING DESCRIPTION

Test Laboratory:	Westinghouse (Test Report #EQLR-157D, EUT10)
Manufacturer:	Eaton Corporation
Product Line:	Uninterruptable Power Supplies and Accessories
Model Line:	9390
Model Number:	TD1612001134010

Mounting Description:

The UUT was rigid mounted to steel floor members using the mounting pattern shown below. The steel floor members were welded to the shake table.

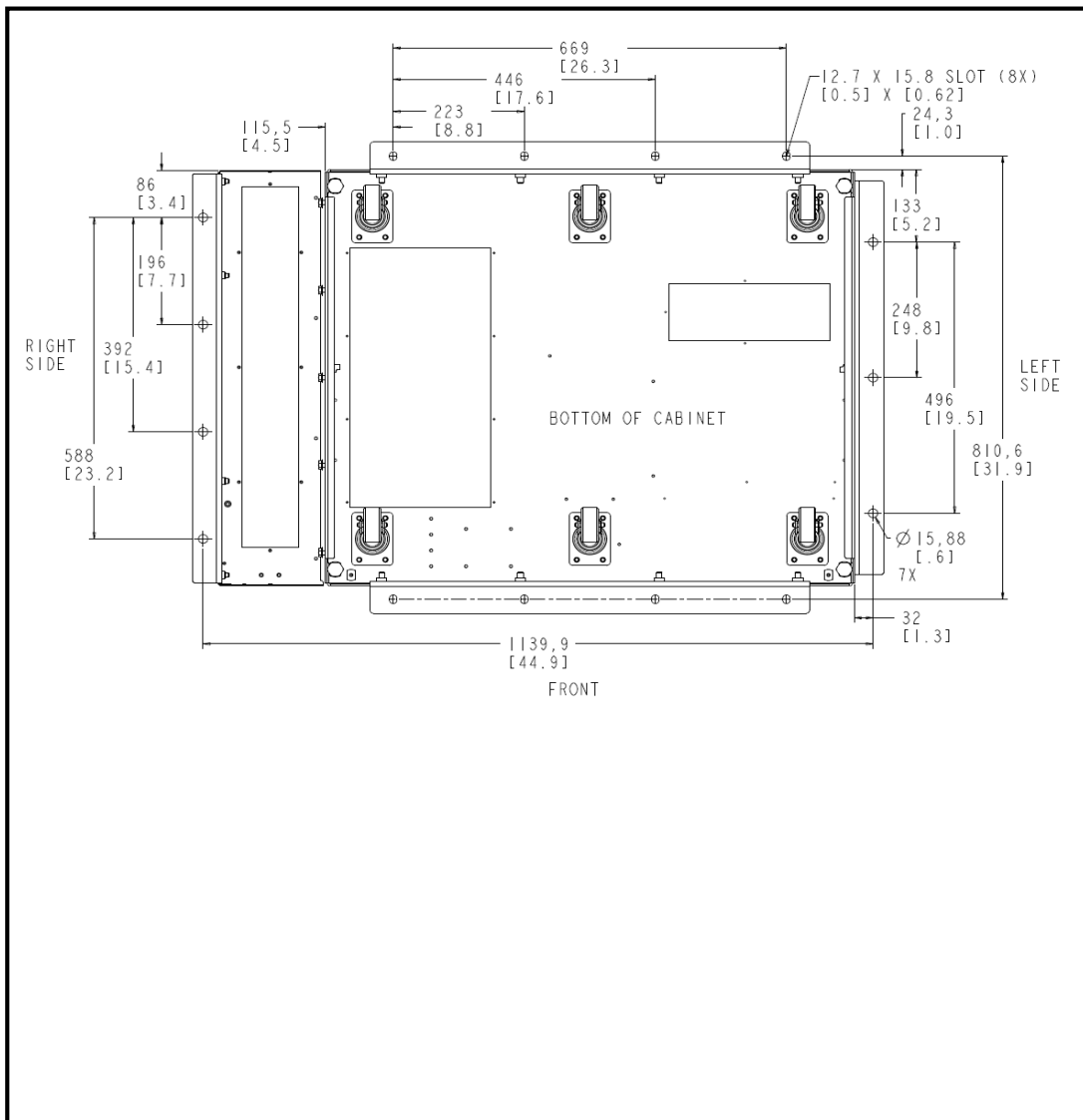


TABLE 12a: UUT-8



UNIT UNDER TEST (UUT) SUMMARY SHEET

Test Laboratory:	Wyle Laboratories (Test Report #57093R09-3, EUT5)
Manufacturer:	Eaton Corporation
Product Line:	Uninterruptable Power Supplies and Accessories
Model Line:	9390
Model Number:	T08153343100021
Product Construction Summary: 9390 IDC 80 kVA	
Options/Component Summary: Frame (Eaton), Seismic Kit (Eaton), Breaker (Eaton), Transformer (Eaton)	

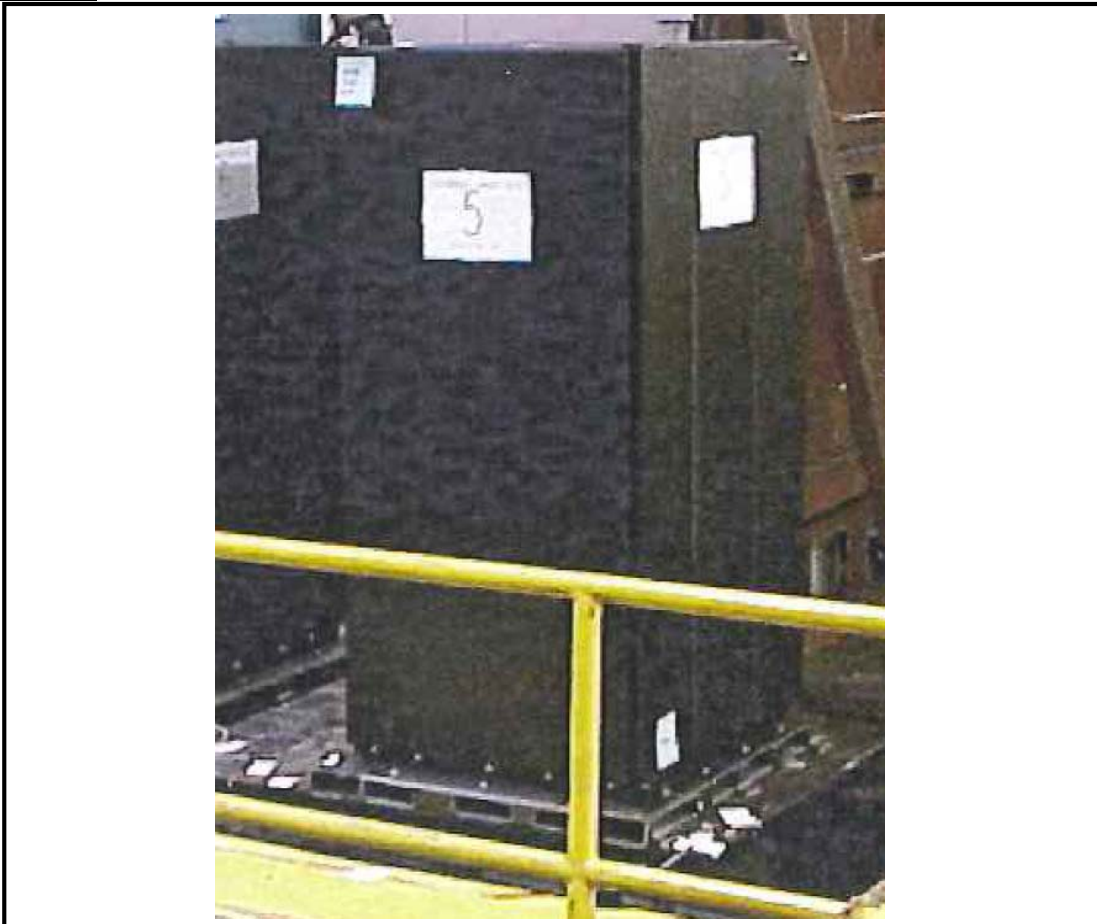
UUT PROPERTIES

Weight (lb)	Test Report & EUT #	Dimensions (inches) ¹			Lowest Natural Frequency (Hz) +/-		
		Height	Width	Depth	Front-Back	Side-Side	Vertical
1356	57093R09-3 EUT 5	74	38	32	9.3	14.0	>33

Seismic Test Parameters

Building Code	Test Criteria	S _{DS}	z/h	I _p	A _{FLX-H}	A _{RIG-H}	A _{FLX-V}	A _{RIG-V}
CBC 2010	ICC-ES AC156	1.87	1	1.5	2.99	2.24	1.25	0.50

Unit Under Test



Notes

¹ Maximum Without Seismic Mounting/Bracing Kit

TABLE 12b: UUT-8



UNIT UNDER TEST (UUT) MOUNTING DESCRIPTION

Test Laboratory:	Wyle Laboratories (Test Report #57093R09-3, EUT5)
Manufacturer:	Eaton Corporation
Product Line:	Uninterruptible Power Supplies and Accessories
Model Line:	9390
Model Number:	T08153343100021

Mounting Description:

The UUT was rigid mounted to steel floor members using the mounting pattern shown below. The steel floor members were welded to the shake table.

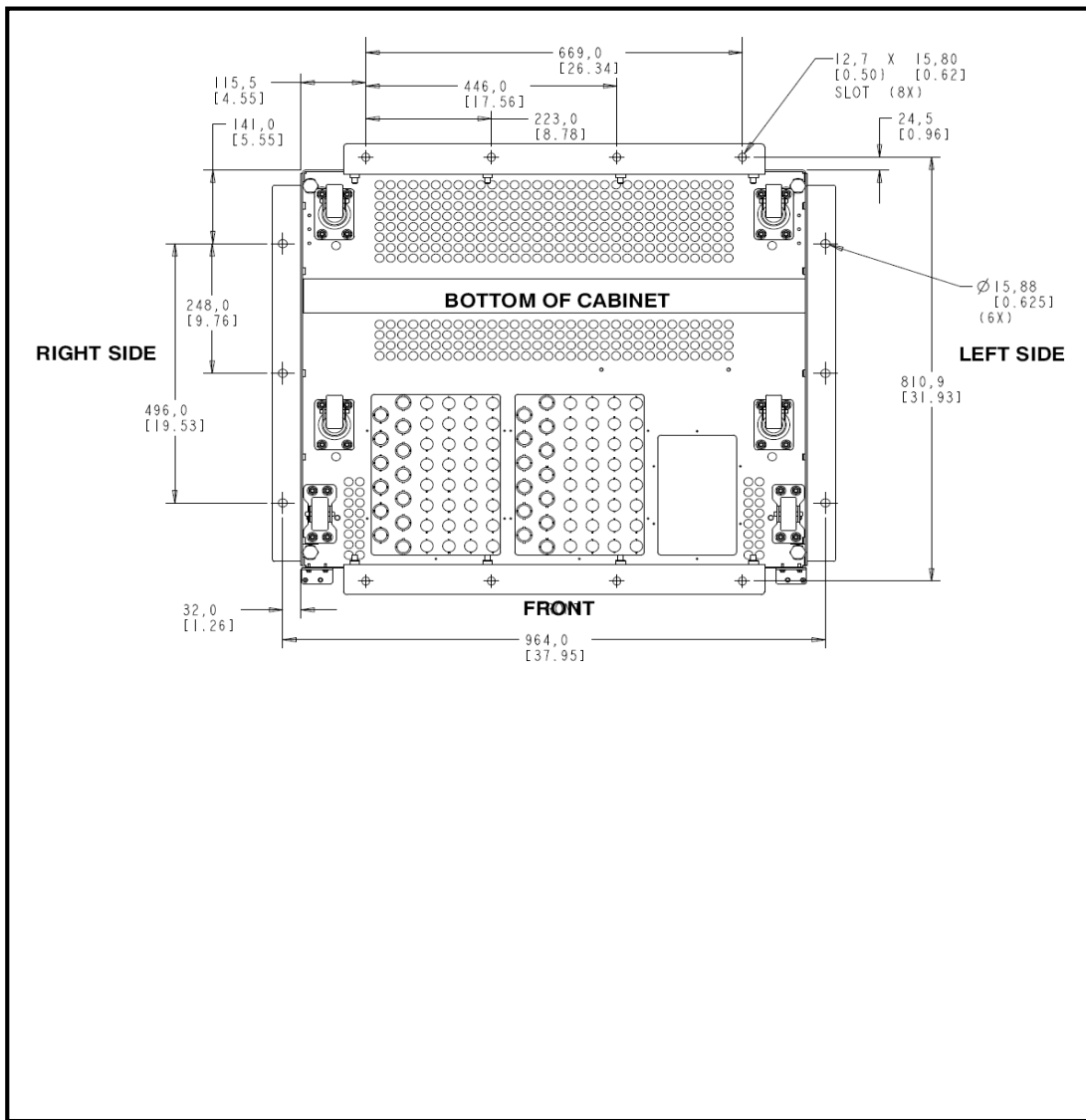


TABLE 13a: UUT-9



UNIT UNDER TEST (UUT) SUMMARY SHEET

Test Laboratory:	Wyle Laboratories (Test Report #57093R09-3, EUT6)
Manufacturer:	Eaton Corporation
Product Line:	Uninterruptable Power Supplies and Accessories
Model Line:	9390
Model Number:	T161533P3000021
Product Construction Summary:	9390 IDC 160 kVA
Options/Component Summary:	Frame (Eaton), Seismic Kit (Eaton), Breaker (Eaton), Transformer (Eaton)

UUT PROPERTIES

Weight (lb)	Test Report & EUT #	Dimensions (inches) ¹			Lowest Natural Frequency (Hz) +/-		
		Height	Width	Depth	Front-Back	Side-Side	Vertical
2028	57093R09-3 EUT 6	74	45	32	6.2	9.2	>33

Seismic Test Parameters

Building Code	Test Criteria	S _{DS}	z/h	I _p	A _{FLX-H}	A _{RIG-H}	A _{FLX-V}	A _{RIG-V}
CBC 2010	ICC-ES AC156	1.87	1	1.5	2.99	2.24	1.25	0.50

Unit Under Test



Notes

¹ Maximum Without Seismic Mounting/Bracing Kit

TABLE 13b: UUT-9



UNIT UNDER TEST (UUT) MOUNTING DESCRIPTION

Test Laboratory:	Wyle Laboratories (Test Report #57093R09-3, EUT6)
Manufacturer:	Eaton Corporation
Product Line:	Uninterruptable Power Supplies and Accessories
Model Line:	9390
Model Number:	T161533P3000021

Mounting Description:

The UUT was rigid mounted to steel floor members using the mounting pattern shown below. The steel floor members were welded to the shake table.

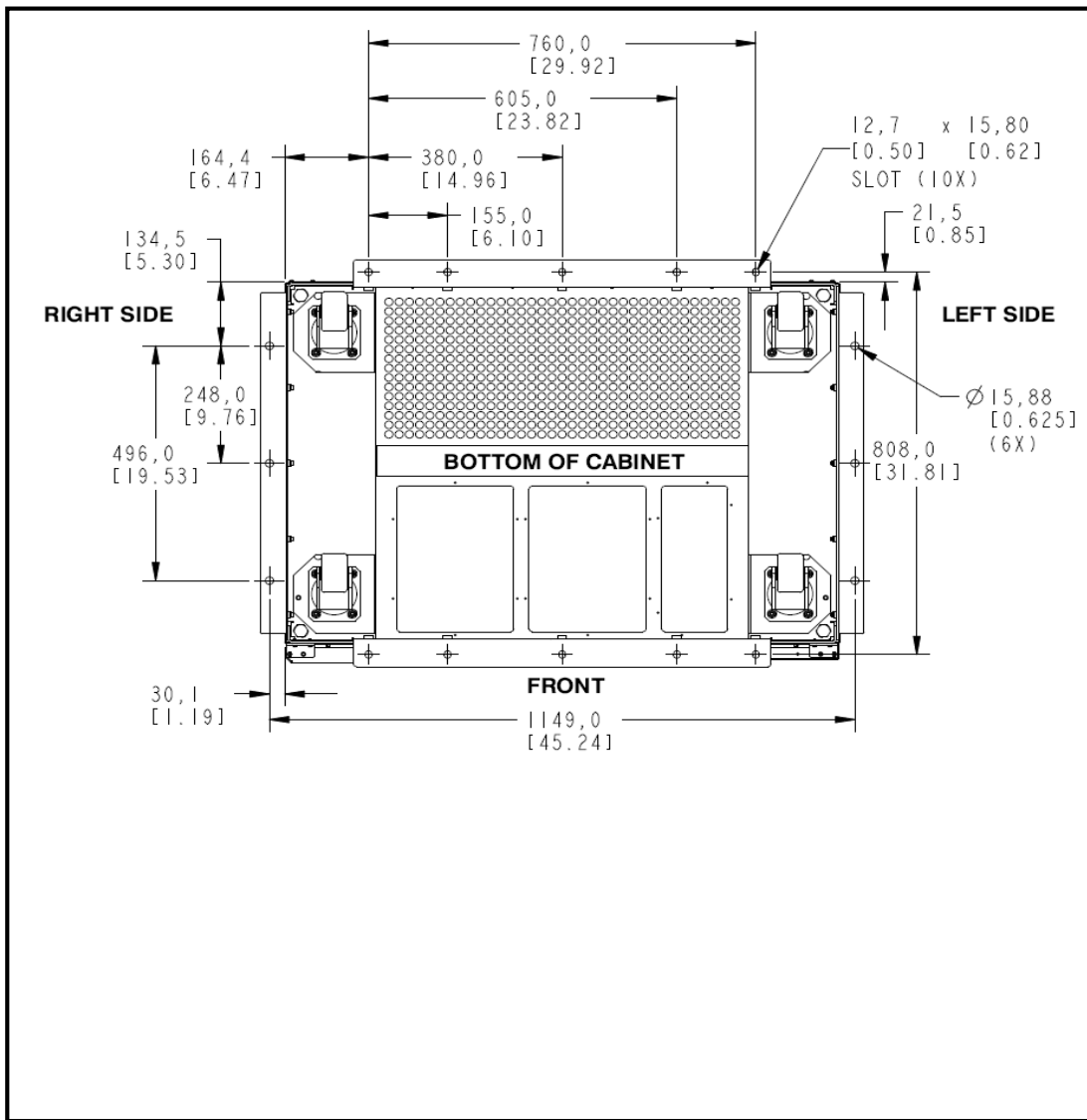


TABLE 14a: UUT-10



UNIT UNDER TEST (UUT) SUMMARY SHEET

Test Laboratory:	Wyle Laboratories (Test Report #57717R10-1, EUT4)
Manufacturer:	Eaton Corporation
Product Line:	Uninterruptible Power Supplies and Accessories
Model Line:	9390
Model Number:	TT1601162000001
Product Construction Summary:	9390 IAC-T
Options/Component Summary:	Frame (Eaton), Seismic Kit (Eaton), Breaker (Eaton)

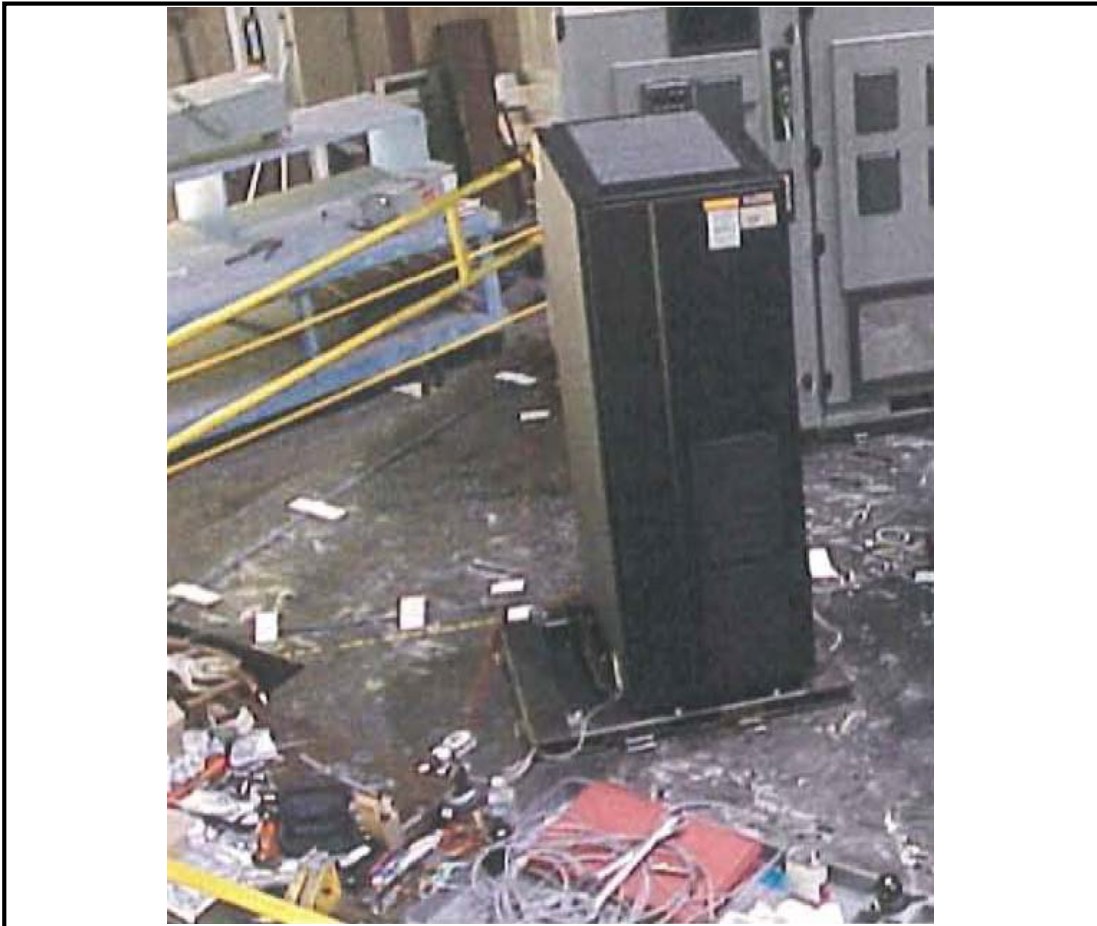
UUT PROPERTIES

Weight (lb)	Test Report & EUT #	Dimensions (inches) ¹			Lowest Natural Frequency (Hz) +/-		
		Height	Width	Depth	Front-Back	Side-Side	Vertical
490	57717R10-1 EUT 4	74	25	32	7.0	7.2	>33

Seismic Test Parameters

Building Code	Test Criteria	S _{DS}	z/h	I _p	A _{FLX-H}	A _{RIG-H}	A _{FLX-V}	A _{RIG-V}
CBC 2010	ICC-ES AC156	2.40	1	1.5	3.84	2.88	1.6	0.96

Unit Under Test



Notes

¹ Maximum Without Seismic Mounting/Bracing Kit

TABLE 14b: UUT-10



UNIT UNDER TEST (UUT) MOUNTING DESCRIPTION

Test Laboratory:	Wyle Laboratories (Test Report #57717R10-1, EUT4)
Manufacturer:	Eaton Corporation
Product Line:	Uninterruptable Power Supplies and Accessories
Model Line:	9390
Model Number:	TT1601162000001

Mounting Description:

The UUT was rigid mounted to steel floor members using the mounting pattern shown below. The steel floor members were welded to the shake table.

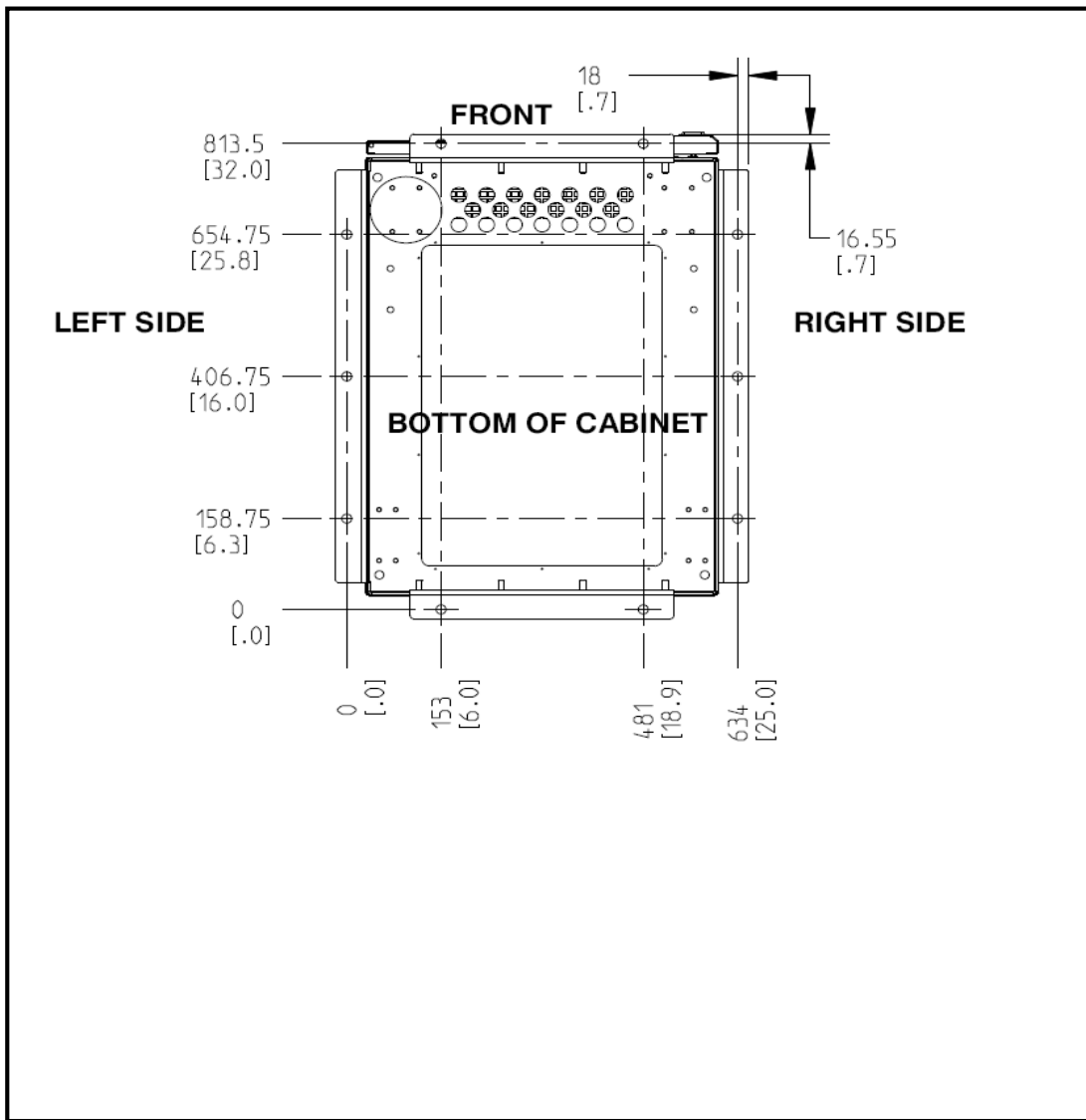


TABLE 15a: UUT-11



UNIT UNDER TEST (UUT) SUMMARY SHEET

Test Laboratory:	Wyle Laboratories (Test Report #57717R10-1, EUT 2)
Manufacturer:	Eaton Corporation
Product Line:	Uninterruptable Power Supplies and Accessories
Model Line:	9395
Model Number:	CR27436500300R3
Product Construction Summary:	9395 550kVA - 1UPM UPS
Options/Component Summary:	Frame (Eaton), Seismic Kit (Eaton), Power Module (Eaton), Static Switch (Eaton), Breaker (Eaton), Contactor (Eaton)

UUT PROPERTIES

Weight (lb)	Test Report & EUT #	Dimensions (inches) ¹			Lowest Natural Frequency (Hz) +/-		
		Height	Width	Depth	Front-Back	Side-Side	Vertical
1990	57717R10-1 EUT 2	74	53	35	7.0	7.2	>33

Seismic Test Parameters

Building Code	Test Criteria	S _{DS}	z/h	I _p	A _{FLX-H}	A _{RIG-H}	A _{FLX-V}	A _{RIG-V}
CBC 2010	ICC-ES AC156	2.40	1	1.5	3.84	2.88	1.6	0.96

Unit Under Test



Notes

¹ Maximum Without Seismic Mounting/Bracing Kit

TABLE 15b: UUT-11



UNIT UNDER TEST (UUT) MOUNTING DESCRIPTION

Test Laboratory:	Wyle Laboratories (Test Report #57717R10-1, EUT 2)
Manufacturer:	Eaton Corporation
Product Line:	Uninterruptable Power Supplies and Accessories
Model Line:	9395
Model Number:	CR27436500300R3

Mounting Description:

The UUT was rigid mounted to steel floor members using the mounting pattern shown below. The steel floor members were welded to the shake table.

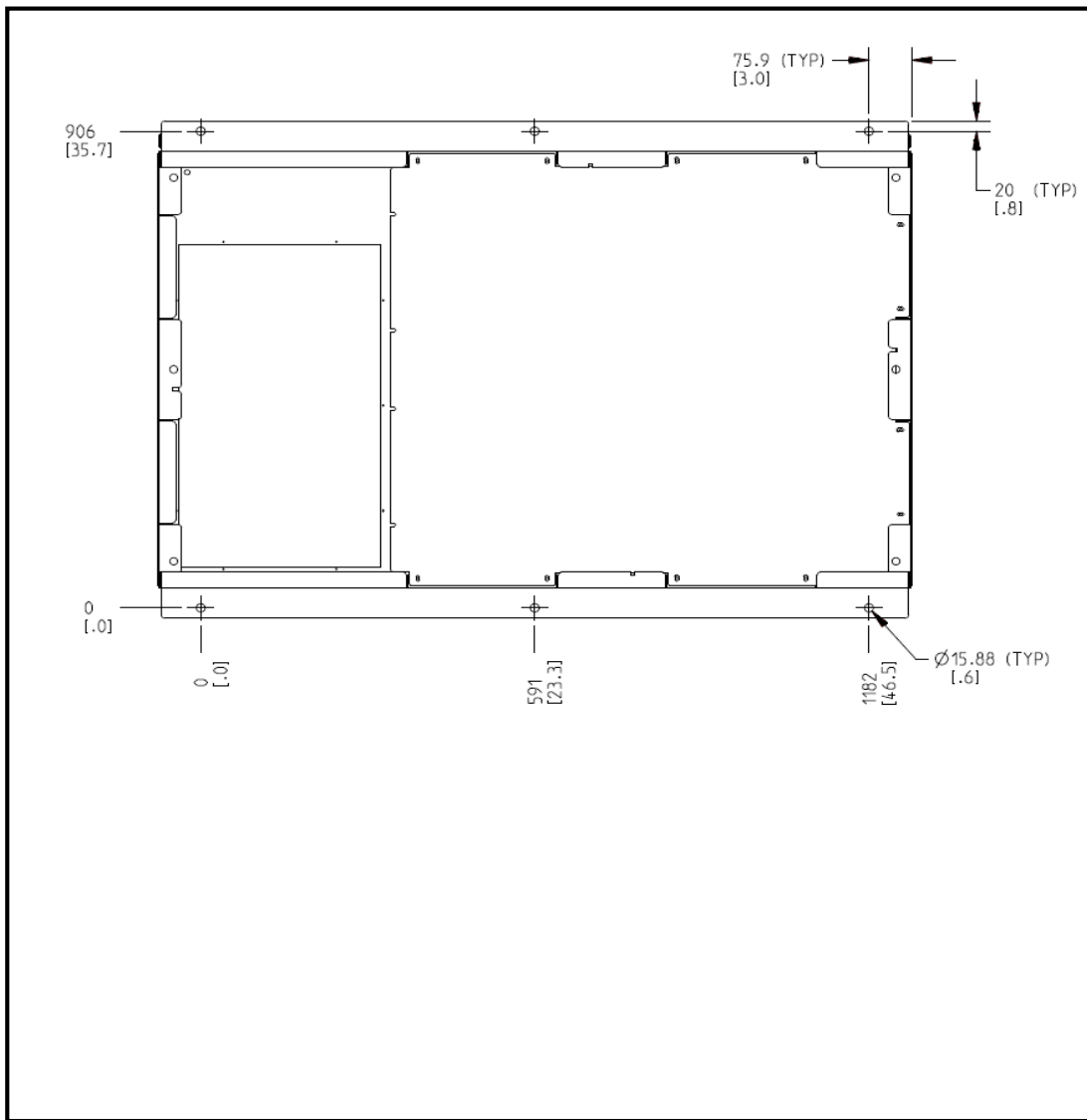


TABLE 16a: UUT-12



UNIT UNDER TEST (UUT) SUMMARY SHEET

Test Laboratory:	Wyle Laboratories (Test Report #57717R10-2, EUT 5)
Manufacturer:	Eaton Corporation
Product Line:	Uninterruptable Power Supplies and Accessories
Model Line:	9395
Model Number:	CH11436500300R3 (part 1 of 3)
Product Construction Summary:	9395 3XUPM
Options/Component Summary:	Frame (Eaton), Seismic Kit (Eaton), Power Module (Eaton), Contactor (Eaton)

UUT PROPERTIES

Weight (lb)	Test Report & EUT #	Dimensions (inches) ¹			Lowest Natural Frequency (Hz) +/-		
		Height	Width	Depth	Front-Back	Side-Side	Vertical
3722	57717R10-2 EUT 5	74	74	35	12.0	11.0	>33

Seismic Test Parameters

Building Code	Test Criteria	S _{DS}	z/h	I _p	A _{FLX-H}	A _{RIG-H}	A _{FLX-V}	A _{RIG-V}
CBC 2010	ICC-ES AC156	1.83	1	1.5	2.93	2.20	1.22	0.49

Unit Under Test



Notes

¹ Maximum Without Seismic Mounting/Bracing Kit

TABLE 16b: UUT-12



UNIT UNDER TEST (UUT) MOUNTING DESCRIPTION

Test Laboratory:	Wyle Laboratories (Test Report #57717R10-2, EUT 5)
Manufacturer:	Eaton Corporation
Product Line:	Uninterruptable Power Supplies and Accessories
Model Line:	9395
Model Number:	CH11436500300R3 (part 1 of 3)

Mounting Description:

The UUT was rigid mounted to steel floor members using the mounting pattern shown below. The steel floor members were welded to the shake table.

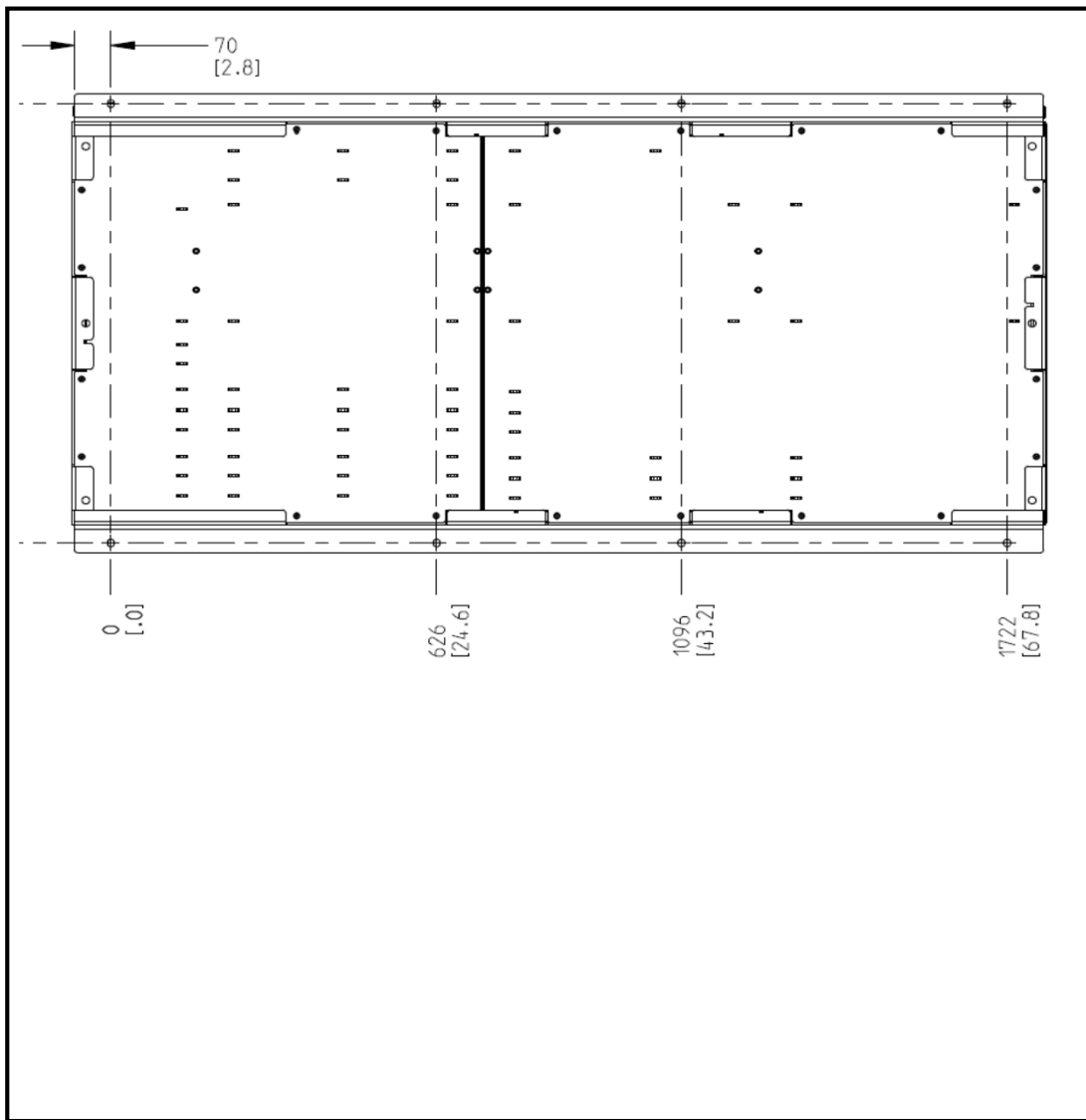


TABLE 17a: UUT-13



UNIT UNDER TEST (UUT) SUMMARY SHEET

Test Laboratory:	Wyle Laboratories (Test Report #57717R10-2, EUT 6)
Manufacturer:	Eaton Corporation
Product Line:	Uninterruptable Power Supplies and Accessories
Model Line:	9395
Model Number:	CH11436500300R3 (part 2 of 3)
Product Construction Summary:	9395 1100 kVA ISBM
Options/Component Summary:	Frame (Eaton), Seismic Kit (Eaton), Static Switch (Eaton), Breaker (Eaton), Contactor (Eaton)

UUT PROPERTIES

Weight (lb)	Test Report & EUT #	Dimensions (inches) ¹			Lowest Natural Frequency (Hz) +/-		
		Height	Width	Depth	Front-Back	Side-Side	Vertical
1948	57717R10-2 EUT 6	74	67	35	15.0	16.0	>33

Seismic Test Parameters

Building Code	Test Criteria	S _{DS}	z/h	I _p	A _{FLX-H}	A _{RIG-H}	A _{FLX-V}	A _{RIG-V}
CBC 2010	ICC-ES AC156	1.83	1	1.5	2.93	2.20	1.22	0.49

Unit Under Test



Notes

¹ Maximum Without Seismic Mounting/Bracing Kit

TABLE 17b: UUT-13



UNIT UNDER TEST (UUT) MOUNTING DESCRIPTION

Test Laboratory:	Wyle Laboratories (Test Report #57717R10-2, EUT 6)
Manufacturer:	Eaton Corporation
Product Line:	Uninterruptable Power Supplies and Accessories
Model Line:	9395
Model Number:	CH11436500300R3 (part 2 of 3)

Mounting Description:

The UUT was rigid mounted to steel floor members using the mounting pattern shown below. The steel floor members were welded to the shake table.

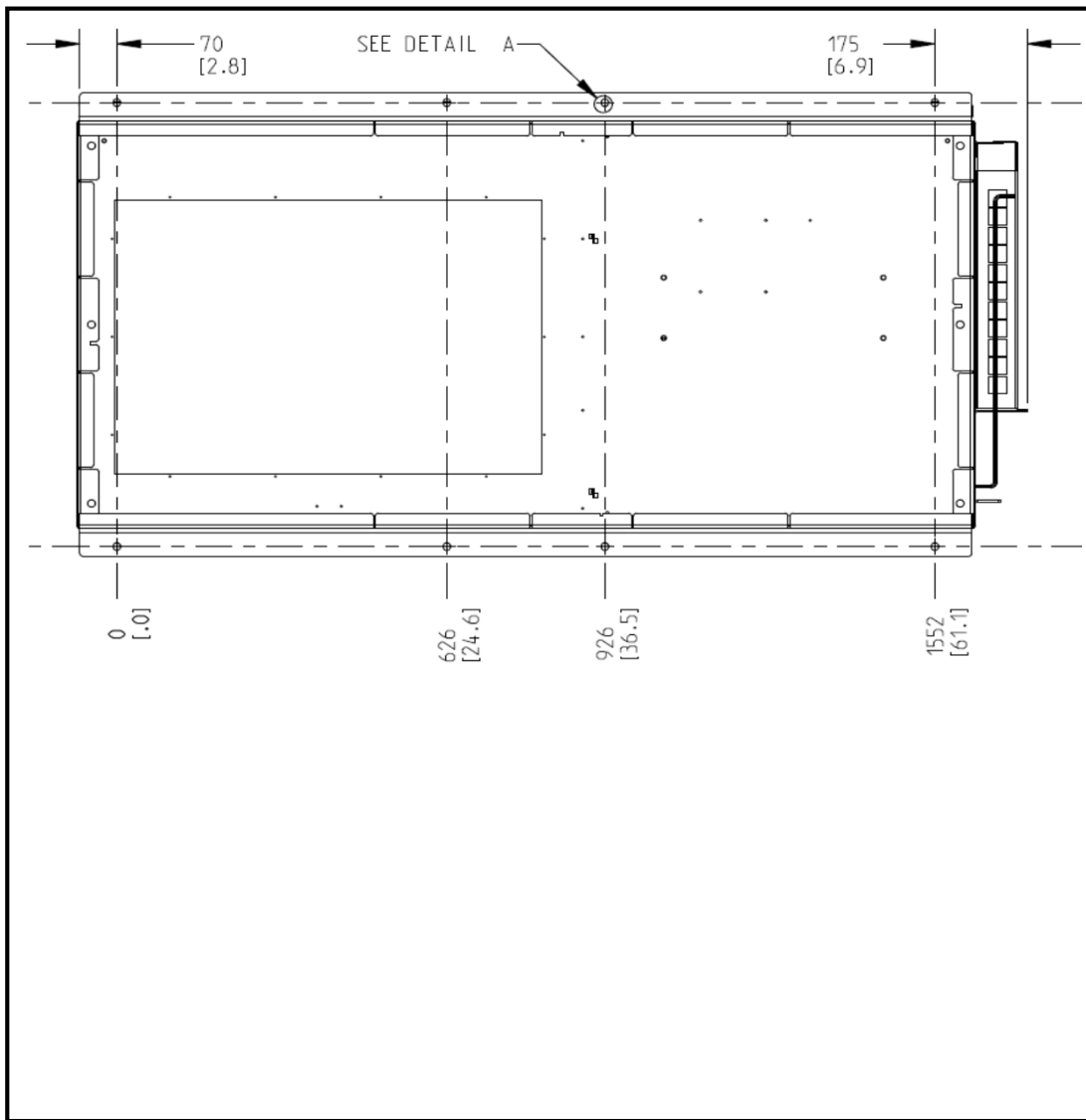


TABLE 18a: UUT-14



UNIT UNDER TEST (UUT) SUMMARY SHEET

Test Laboratory:	Wyle Laboratories (Test Report #57717R10-2, EUT 7)
Manufacturer:	Eaton Corporation
Product Line:	Uninterruptable Power Supplies and Accessories
Model Line:	9395
Model Number:	CH11436500300R3 (part 3 of 3)
Product Construction Summary: 9395 Field Installed UPM (FIUPM)	
Options/Component Summary: Frame (Eaton), Seismic Kit (Eaton), Power Module (Eaton), Contactor (Eaton)	

UUT PROPERTIES

Weight (lb)	Test Report & EUT #	Dimensions (inches) ¹			Lowest Natural Frequency (Hz) +/-		
		Height	Width	Depth	Front-Back	Side-Side	Vertical
1380	57717R10-2 EUT 7	74	30	35	16.0	10.0	>33

Seismic Test Parameters

Building Code	Test Criteria	S _{DS}	z/h	I _p	A _{FLX-H}	A _{RIG-H}	A _{FLX-V}	A _{RIG-V}
CBC 2010	ICC-ES AC156	1.83	1	1.5	2.93	2.20	1.22	0.49

Unit Under Test



Notes

¹ Maximum Without Seismic Mounting/Bracing Kit

TABLE 18b: UUT-14



UNIT UNDER TEST (UUT) MOUNTING DESCRIPTION

Test Laboratory:	Wyle Laboratories (Test Report #57717R10-2, EUT 7)
Manufacturer:	Eaton Corporation
Product Line:	Uninterruptable Power Supplies and Accessories
Model Line:	9395
Model Number:	CH11436500300R3 (part 3 of 3)

Mounting Description:

The UUT was rigid mounted to steel floor members using the mounting pattern shown below. The steel floor members were welded to the shake table.

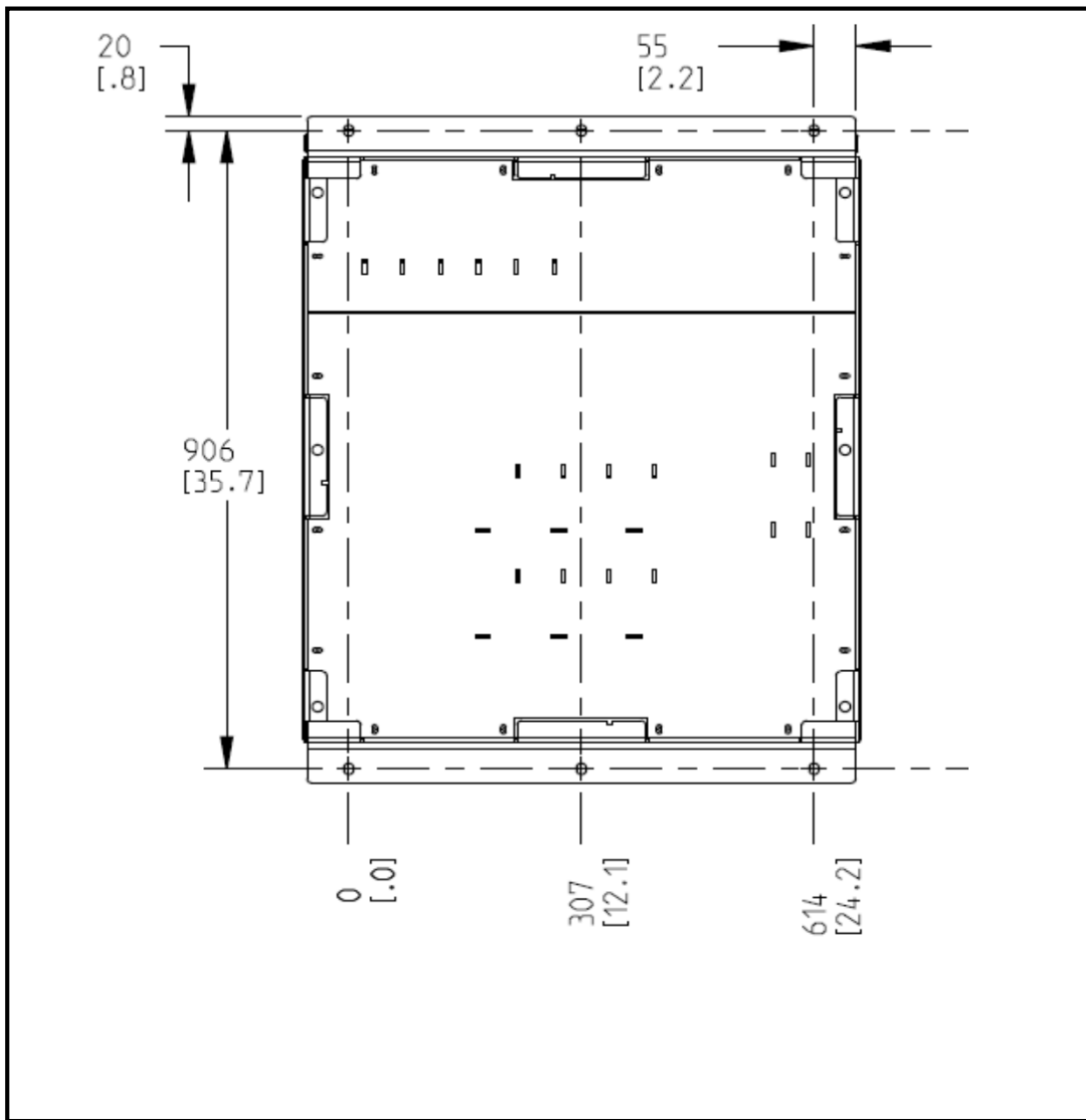


TABLE 19a: UUT-15



UNIT UNDER TEST (UUT) SUMMARY SHEET

Test Laboratory:	Wyle Laboratories (Test Report #57717R10-1, EUT 3)
Manufacturer:	Eaton Corporation
Product Line:	Uninterruptable Power Supplies and Accessories
Model Line:	9395
Model Number:	MBM9B5516210000
Product Construction Summary:	9395 200-550 kVA MBM
Options/Component Summary:	Frame (Eaton), Seismic Kit (Eaton), Breaker (Eaton)

UUT PROPERTIES

Weight (lb)	Test Report & EUT #	Dimensions (inches) ¹			Lowest Natural Frequency (Hz) +/-		
		Height	Width	Depth	Front-Back	Side-Side	Vertical
910	57717R10-1 EUT 3	74	42	35	7.0	7.2	>33

Seismic Test Parameters

Building Code	Test Criteria	S _{DS}	z/h	I _p	A _{FLX-H}	A _{RIG-H}	A _{FLX-V}	A _{RIG-V}
CBC 2010	ICC-ES AC156	2.40	1	1.5	3.84	2.88	1.6	0.64

Unit Under Test



Notes

¹ Maximum Without Seismic Mounting/Bracing Kit

TABLE 19b: UUT-15



UNIT UNDER TEST (UUT) MOUNTING DESCRIPTION

Test Laboratory:	Wyle Laboratories (Test Report #57717R10-1, EUT 3)
Manufacturer:	Eaton Corporation
Product Line:	Uninterruptable Power Supplies and Accessories
Model Line:	9395
Model Number:	MBM9B5516210000

Mounting Description:

The UUT was rigid mounted to steel floor members using the mounting pattern shown below. The steel floor members were welded to the shake table.

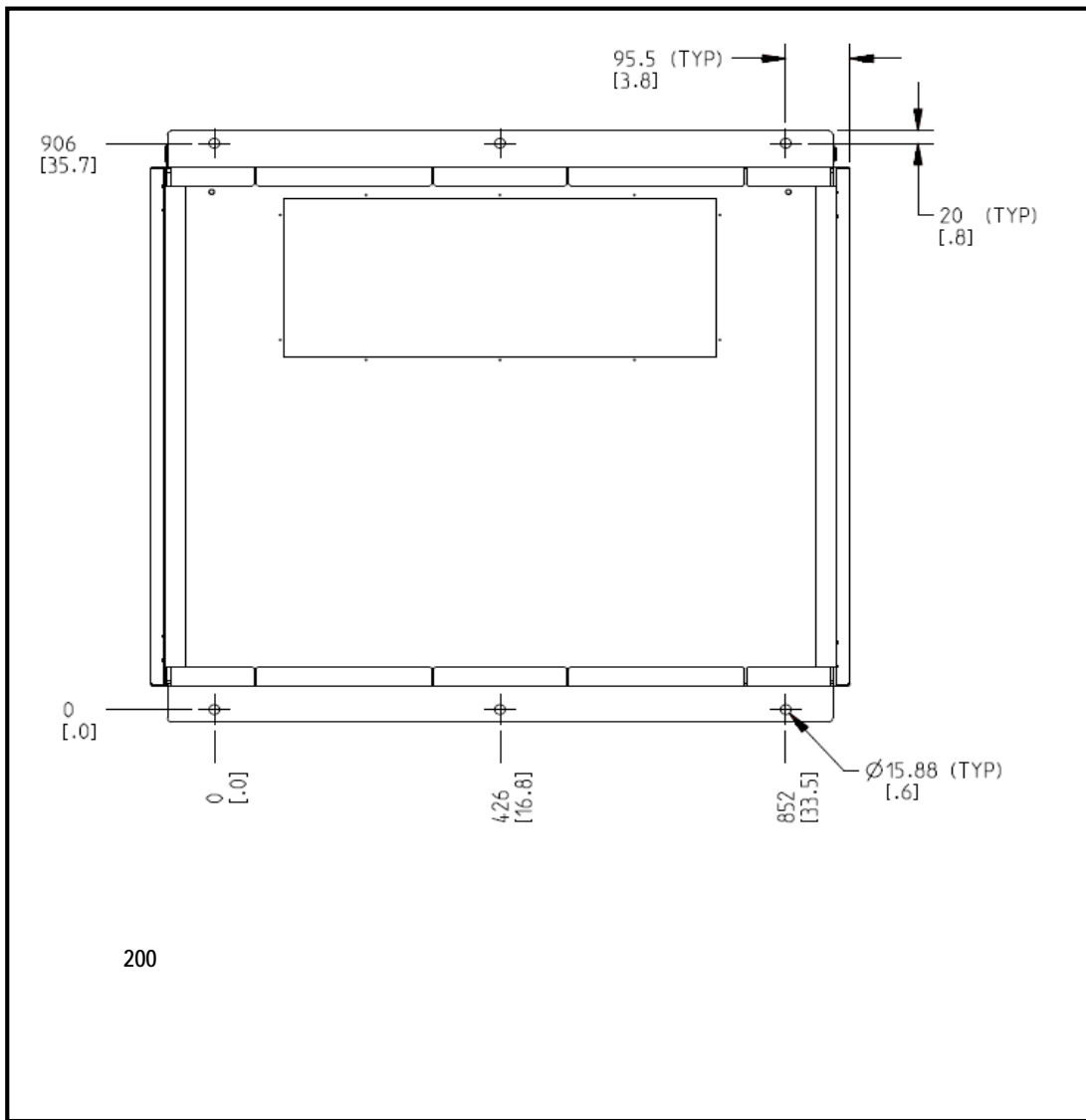


TABLE 20



Powering Business Worldwide

9390 UPS FRAME FOOT PRINTS

Manufacturer: Eaton Corporation
Product Line: Uninterruptable Power Supplies and Accessories
Model Line: 9390

Frame Size	Floor Foot Print
<p style="text-align: center;">UPS 20-80 kVA</p>	<p style="text-align: center;">W x D = 23" x 38"</p>
<p style="text-align: center;">UPS 20-80 kVA WITH SIDECAR</p>	<p style="text-align: center;">W x D = 30" x 38"</p>

TABLE 20



Powering Business Worldwide

9390 UPS FRAME FOOT PRINTS (CONT'D)

Manufacturer: Eaton Corporation
Product Line: Uninterruptable Power Supplies and Accessories
Model Line: 9390

Frame Size	Floor Foot Print
<p>UPS 100-160 kVA</p>	<p style="text-align: center;">W x D = 40" x 34.0"</p>
<p>UPS 100-160 kVA WITH SIDECAR</p>	<p style="text-align: center;">W x D = 47" x 34.0"</p>

TABLE 21



Powering Business Worldwide

9395 UPS FRAME FOOT PRINTS

Manufacturer: Eaton Corporation
Product Line: Uninterruptable Power Supplies and Accessories
Model Line: 9395

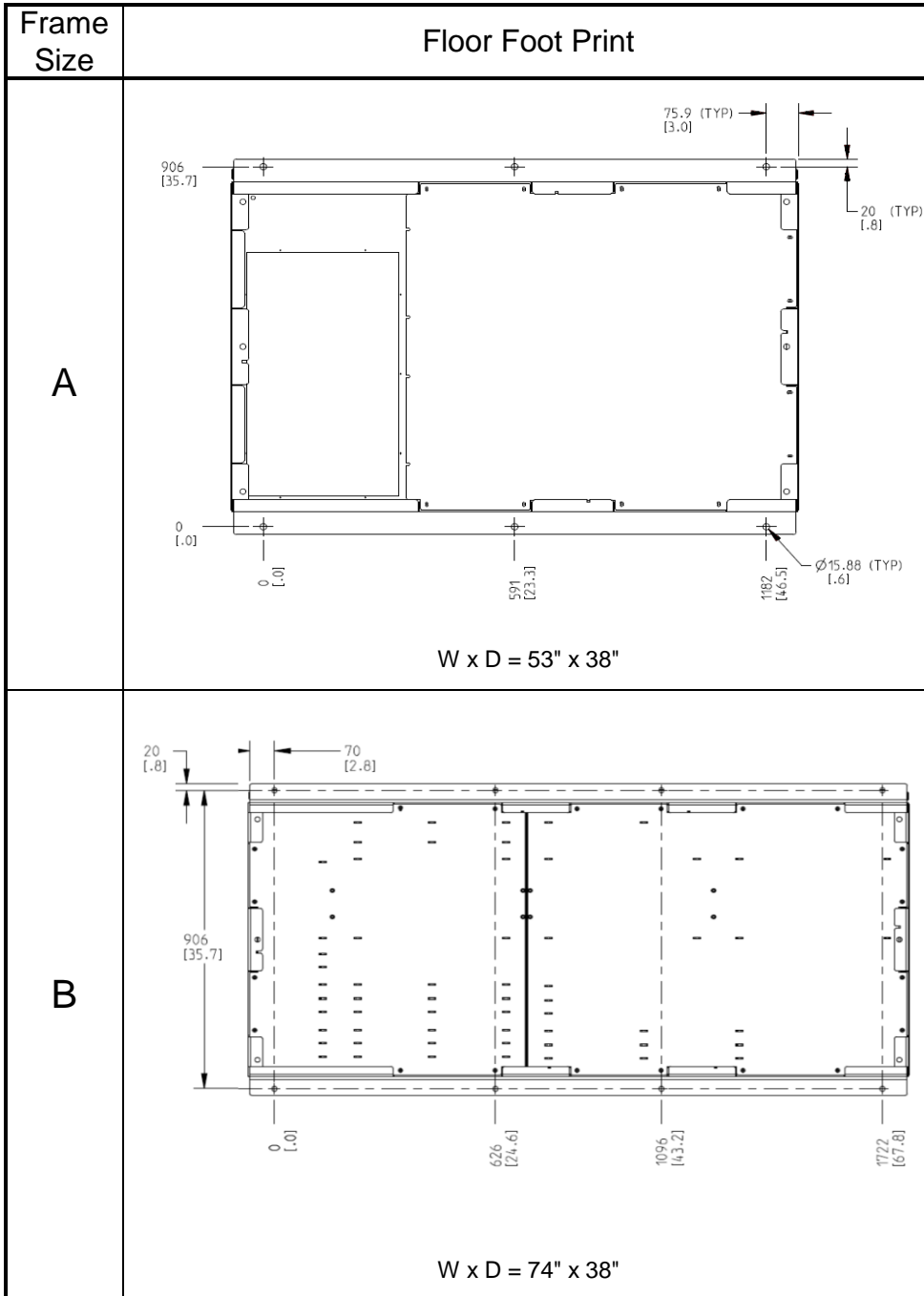


TABLE 21



Powering Business Worldwide

9395 UPS FRAME FOOT PRINTS (CONT'D)

Manufacturer: Eaton Corporation
Product Line: Uninterruptable Power Supplies and Accessories
Model Line: 9395

Frame Size	Floor Foot Print
C	<p style="text-align: center;">W x D = 67" x 38"</p>
D	<p style="text-align: center;">W x D = 30" x 38"</p>

TABLE 21



Powering Business Worldwide

9395 UPS FRAME FOOT PRINTS (CONT'D)

Manufacturer: Eaton Corporation
Product Line: Uninterruptable Power Supplies and Accessories
Model Line: 9395

Model	Foot Print	W X D (Inches)
275	A	53 x 38
275+1	B	74 x 38
550-1	A	53 x 38
550	B	74 x 38
550+1	D B	103 x 38
825-1	C A	120 x 38
825	C B	141 x 38
825+1	D C B	170 x 38
1100-1	C B	141 x 38
1100	D C B	170 x 38