



**OFFICE OF STATEWIDE HEALTH PLANNING AND DEVELOPMENT
FACILITIES DEVELOPMENT DIVISION**

**APPLICATION FOR OSHPD PREAPPROVAL
OF MANUFACTURER'S CERTIFICATION (OPM)**

OFFICE USE ONLY

APPLICATION #: OPM-0066-13

OSHPD Preapproval of Manufacturer's Certification (OPM)

Type: New Renewal Update to Pre-CBC 2013 OPA Number: OPA-2828-10

Manufacturer Information

Manufacturer: Siemens Healthcare Diagnostics

Manufacturer's Technical Representative: Fernando Jusino

Mailing Address: 511 Benedict Ave., Tarrytown, NY 10591

Telephone: 914-524-2573 Email: Fernando.jusino@siemens.com

Product Information

Product Name: External Uninterruptable Power Supplies Complimenting Select Siemens Healthcare Diagnostic Systems

Product Type: UPS OPM-0066-13

Product Model Number: This OPM is for eleven different UPS models by various manufacturers.

General Description: External Uninterruptable Power Supplies (UPS) Complimenting Select Siemens Healthcare Diagnostic Systems

Applicant Information

Applicant Company Name: Siemens Healthcare Diagnostics

Contact Person: Fernando Jusino

Mailing Address: 511 Benedict Ave., Tarrytown, NY 10591

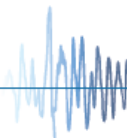
Telephone: 914-524-2573 Email: Fernando.jusino@siemens.com

I hereby agree to reimburse the Office of Statewide Health Planning and Development review fees in accordance with the California Administrative Code, 2013.

Signature of Applicant:  Date: 11/26/13

Title: Senior Product Engineer Company Name: Siemens Healthcare Diagnostics

"Access to Safe, Quality Healthcare Environments that Meet California's Diverse and Dvnamic Needs"





**OFFICE OF STATEWIDE HEALTH PLANNING AND DEVELOPMENT
FACILITIES DEVELOPMENT DIVISION**

Registered Design Professional Preparing Engineering Recommendations

Company Name: CYS Structural Engineers, Inc.

Name: David M. Calia California License Number: S5614

Mailing Address: 2495 Natomas Park Drive, Suite 650, Sacramento, CA 95833

Telephone: 916-920-2020 Email: davidc@cyseng.com

OSHPD Special Seismic Certification Preapproval (OSP)

- Special Seismic Certification is preapproved under OSP-0263-10
(Separate application for OSP is required)
- Special Seismic Certification is not preapproved

Certification Method(s)

- Testing in accordance with: ICC-ES AC156 FM 1950-10
- Other* (Please Specify): _____

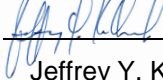
*Use of criteria other than those adopted by the California Building Standards Code, 2013 (CBSC 2013) for component supports and attachments are not permitted. For distribution system, interior partition wall, and suspended ceiling seismic bracings, test criteria other than those adopted in the CBSC 2013 may be used when approved by OSHPD prior to testing.

- Analysis
- Experience Data
- Combination of Testing, Analysis, and/or Experience Data (Please Specify): See Calculations

List of Attachments Supporting the Manufacturer's Certification

- Test Report Drawings Calculations Manufacturer's Catalog
- Other(s) (Please Specify): _____

OFFICE USE ONLY – OSHPD APPROVAL VALID FOR CBC 2013 ONLY

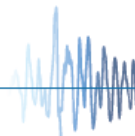
Signature:  Date: April 17, 2014

Print Name: Jeffrey Y. Kikumoto

Title: Senior Structural Engineer

Condition of Approval (if applicable): _____

"Access to Safe, Quality Healthcare Environments that Meet California's Diverse and Dynamic Needs"



EXTERNAL UNINTERRUPTIBLE POWER SUPPLIES (UPS)
COMPLIMENTING SELECT SIEMENS HEALTHCARE DIAGNOSTIC SYSTEMS
TABLE OF CONTENTS
OPM-0066-13

	PG
GENERAL NOTES	2-4
ABBREVIATIONS	5-6
EQUIPMENT IDENTIFICATION – TABLE 2	7
EQUIPMENT GEOMETRY – TABLE 3	8
SEISMIC DESIGN FORCES	9
MAX ANCHORAGE REACTIONS	10
UPS INSTALLATION NOTES	11
UPS SUPPORT ATTACHMENTS (MAKE/MODEL/UPS ID#)	
ALPHA TECHNOLOGIES/PINNACLE PLUS 6000T/UPS ID #1	13
SUPPORT PLATE DETAIL	14
FALCON ELECTRIC/SG2K-1T/UPS ID #2	15
POWERSHIELD/ABCE1100-11B/UPS ID #3	15
POWERWARE/PW5125 2200i/UPS ID #4	15
EATON POWERWARE/PW9103i 3000T-XL/UPS ID #6	15
EATON POWERWARE/PW9130i 2000T-XL/UPS ID #7	15
EATON POWERWARE/PW9130G 2000T-XLEU/UPS ID #8	15
MINUTEMAN/CPE1000 PP/UPS ID #9	15
MINUTEMAN/CPE2000/UPS ID #10	15
TRIPP-LITE/SMART700DV/UPS ID #11	15
SUPPORT PLATE DETAIL	16
MOUNT PLATE DETAIL	17

CONTINUED ON NEXT PG



SHEET TITLE: TABLE OF CONTENTS



CYS STRUCTURAL ENGINEERS, INC.

2495 NATOMAS PARK DRIVE, SUITE 650
SACRAMENTO, CA 95833

TEL (916) 920-2020
www.cyseng.com

Job No:	13089.01
Date:	4/17/2014
Page:	1A of 25

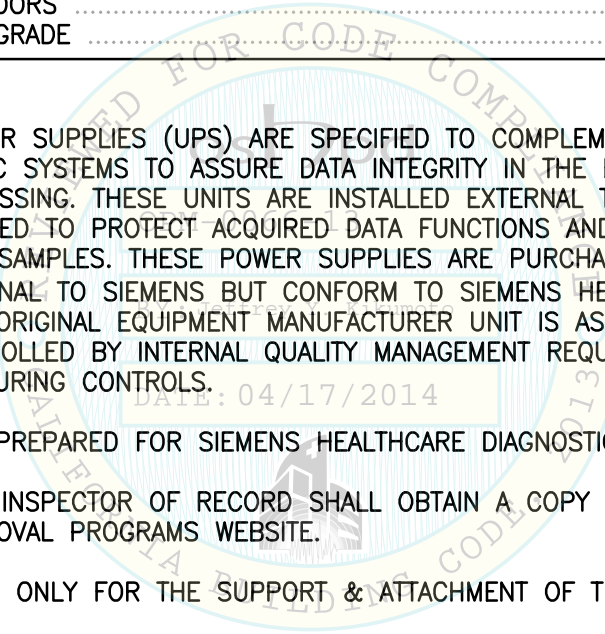
L:\Jobs\13089 Siemens - Renewal of OSP-0263-10 and OPA-2828-10\OPM-0066-13\STRU\S1.dwg Time: Apr 17, 2014 10:55am Login: camachom Dimstyle: 1 LTScale: 6

EXTERNAL UNINTERRUPTIBLE POWER SUPPLIES (UPS)
COMPLIMENTING SELECT SIEMENS HEALTHCARE DIAGNOSTIC SYSTEMS
TABLE OF CONTENTS
OPM-0066-13

	PG
UPS SUPPORT ATTACHMENTS (MAKE/MODEL/UPS ID#)	
POWERVAR/ABCDEF3000-22/UPS ID #5	18
SUPPORT PLATE DETAIL	19
MOUNT PLATE DETAIL	20
SHIM PLATE DETAIL	21
STRAP DETAIL	22
STRAP TENSIONER DETAIL	23
SUPPORT & ATTACHMENT DETAILS	
CASE 1 - UPPER FLOORS	24
CASE 2 - SLAB ON GRADE	25

NOTES:

- UNINTERRUPTIBLE POWER SUPPLIES (UPS) ARE SPECIFIED TO COMPLEMENT MANY SIEMENS HEALTHCARE DIAGNOSTIC SYSTEMS TO ASSURE DATA INTEGRITY IN THE EVENT OF POWER LOSS DURING SAMPLE PROCESSING. THESE UNITS ARE INSTALLED EXTERNAL TO THE PRIMARY ANALYZER AND ARE ONLY EXPECTED TO PROTECT ACQUIRED DATA FUNCTIONS AND NOT TO CONTINUE ANALYZER OPERATIONS FOR NEW SAMPLES. THESE POWER SUPPLIES ARE PURCHASED FROM COMMERCIAL MANUFACTURERS EXTERNAL TO SIEMENS BUT CONFORM TO SIEMENS HEALTHCARE DIAGNOSTICS' SPECIFICATIONS. EACH ORIGINAL EQUIPMENT MANUFACTURER UNIT IS ASSIGNED A SIEMENS PART NUMBER AND IS CONTROLLED BY INTERNAL QUALITY MANAGEMENT REQUIREMENTS TO MEET FDA DESIGN AND MANUFACTURING CONTROLS.
- THESE DRAWINGS ARE PREPARED FOR SIEMENS HEALTHCARE DIAGNOSTICS, INC., NEWARK, DELAWARE.
- THE CONTRACTOR AND INSPECTOR OF RECORD SHALL OBTAIN A COPY OF THIS PRE-APPROVAL FROM THE OSHPD PRE-APPROVAL PROGRAMS WEBSITE.
- THIS PRE-APPROVAL IS ONLY FOR THE SUPPORT & ATTACHMENT OF THE UNIT TO THE HOSPITAL BUILDING'S STRUCTURE.



SHEET TITLE: TABLE OF CONTENTS (CONTINUED)



CYS STRUCTURAL ENGINEERS, INC.

2495 NATOMAS PARK DRIVE, SUITE 650
SACRAMENTO, CA 95833

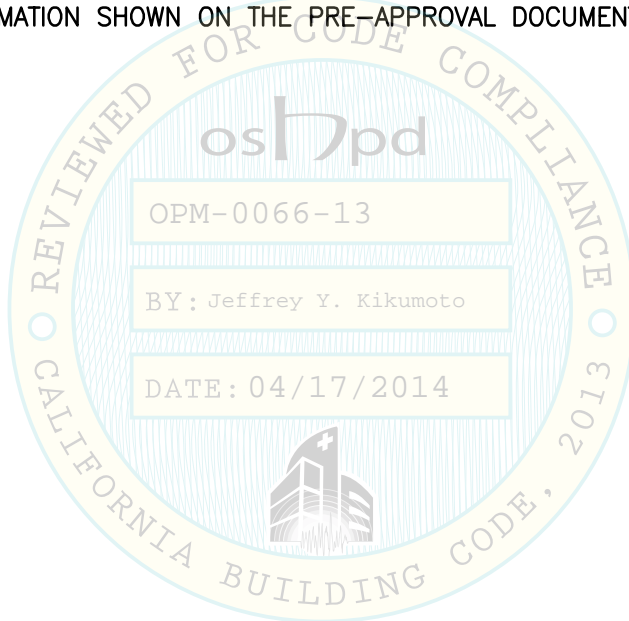
TEL (916) 920-2020
www.cyseng.com

Job No:	13089.01
Date:	4/17/2014
Page:	1B of 25

L:\Jobs\13089 Siemens - Renewal of OSP-0263-10 and OPA-2828-10\OPM-0066-13\STRU\S1.dwg Time: Apr 17, 2014 10:55am Login: camachom DimScale: 1 L1Scale: 6

GENERAL NOTES:

1. THIS OSHPD PRE-APPROVAL OF MANUFACTURER'S CERTIFICATION (OPM) IS BASED ON THE CBC 2013. THE DEMAND (DESIGN FORCES) FOR USE WITH THIS OPM SHALL BE BASED ON THE CBC 2013.
2. IT IS THE RESPONSIBILITY OF THE STRUCTURAL ENGINEER OF RECORD FOR A SITE SPECIFIC PROJECT TO VERIFY:
 - A. THE ADEQUACY OF THE NEW OR EXISTING STRUCTURE TO RESIST THE FORCES AND WEIGHT SPECIFIED FOR EACH EQUIPMENT IN ADDITION TO ALL OTHER LOADS. PROVIDE AND DESIGN SUPPLEMENTARY MEMBERS AS REQUIRED.
 - B. THE NEW ANCHORS ARE LOCATED AT AN ADEQUATE DISTANCE FROM ANY SLAB EDGES OR OPENINGS, SEE TABLE ON PG 4.
 - C. THE NEW ANCHORS ARE LOCATED AT LEAST 18" AWAY FROM ADJACENT EXISTING ANCHORS OR THE SEOR SHALL EVALUATE THE ANCHORAGES FOR THE EQUIPMENT IN THIS OPM FOR ADVERSE AFFECTS OF ADJACENT ANCHORAGES.
 - D. THAT THE INSTALLATION IS IN CONFORMANCE WITH THE 2013 CBC AND WITH THE DETAILS SHOWN IN THIS PRE-APPROVAL.
 - E. THAT THE ACTUAL EQUIPMENT'S WEIGHT, CENTER OF GRAVITY (CG) LOCATION, ANCHOR LOCATIONS, ANCHOR DETAILS, AND THE MATERIAL AND GAUGE OF THE EQUIPMENT WHERE ATTACHMENTS ARE MADE, AGREE WITH THE INFORMATION SHOWN ON THE PRE-APPROVAL DOCUMENTS.



SHEET TITLE: GENERAL NOTES



CYS STRUCTURAL ENGINEERS, INC.

2495 NATOMAS PARK DRIVE, SUITE 650
SACRAMENTO, CA 95833

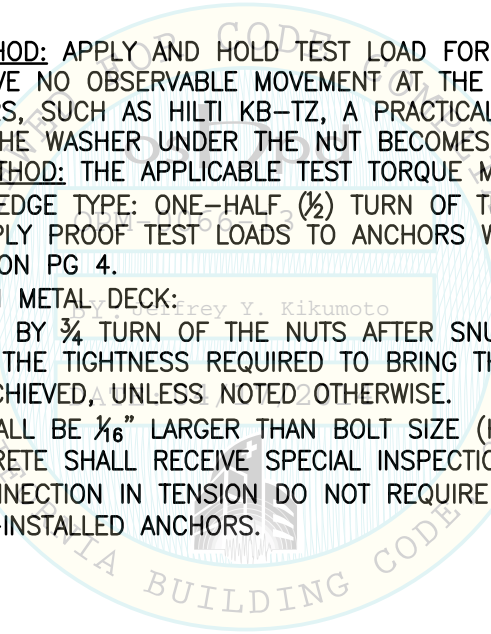
TEL (916) 920-2020
www.cyseng.com

Job No:	13089.01
Date:	4/17/2014
Page:	2 of 25

L:\Jobs\13089 Siemens - Renewal of OSP-0263-10 and OPA-2828-10\OPM-0066-13\STRU\S1.dwg Time:Apr17,2014 10:55am Login:camachom Dimstyle:1 LTScale:6

GENERAL NOTES (CONTINUED):

- 3A. EXPANSION ANCHORS INSTALLED IN HARD ROCK OR SAND LIGHTWEIGHT CONCRETE SHALL BE STAINLESS STEEL HILTI KB-TZ EXPANSION ANCHORS COMPLYING WITH ESR-1917 REISSUED MAY 1, 2013.
- B. INSTALLATION: INSTALL THE EXPANSION ANCHORS IN ACCORDANCE WITH THE REQUIREMENTS GIVEN IN THE ICC EVALUATION REPORT FOR THE SPECIFIC ANCHOR.
- C. TESTING:
 - JOB SITE TESTING: FOR VERIFYING SATISFACTORY INSTALLATION WORKMANSHIP, PERFORM JOB SITE TESTING IN ACCORDANCE WITH THE TENSION LOAD TABLE PROVIDED IN THIS DOCUMENT. TEST 50% OF THE INSTALLED ANCHORS. THE TEST LOAD MAY BE APPLIED BY ANY METHOD THAT WILL EFFECTIVELY MEASURE THE TENSION IN THE ANCHOR SUCH AS DIRECT PULL WITH A HYDRAULIC JACK OR CALIBRATED SPRING LOADING DEVICES OR CALIBRATED TORQUE WRENCH METHOD. ALL TESTS SHALL BE CONDUCTED IN THE PRESENCE OF THE INSPECTOR OF RECORD. IF ANY ANCHOR FAILS THE TEST, TEST ALL ANCHORS. SUBMIT REPORT OF THE TEST RESULTS TO OSHPD. THE TEST SHALL BE PERFORMED 24 HOURS OR MORE AFTER INSTALLATION. TESTING MAY BE DONE PRIOR TO EQUIPMENT INSTALLATION. ALSO REFER TO CBC 1913A.7 "FIELD TESTS FOR POST-INSTALLED ANCHORS IN CONCRETE".
 - FAILURE/ACCEPTANCE CRITERIA: THE FOLLOWING CRITERIA APPLY FOR THE ACCEPTANCE OF INSTALLED ANCHORS:
 - HYDRAULIC RAM METHOD: APPLY AND HOLD TEST LOAD FOR A MINIMUM OF 15 SECONDS. THE ANCHOR SHOULD HAVE NO OBSERVABLE MOVEMENT AT THE APPLICABLE TEST LOAD. FOR WEDGE TYPE ANCHORS, SUCH AS HILTI KB-TZ, A PRACTICAL WAY TO DETERMINE OBSERVABLE MOVEMENT IS THAT THE WASHER UNDER THE NUT BECOMES LOOSE.
 - TORQUE WRENCH METHOD: THE APPLICABLE TEST TORQUE MUST BE REACHED WITHIN THE FOLLOWING LIMITS: WEDGE TYPE: ONE-HALF ($\frac{1}{2}$) TURN OF THE NUT.
 - PROOF TEST VALUES: APPLY PROOF TEST LOADS TO ANCHORS WITHOUT REMOVING THE NUT IF POSSIBLE, SEE TABLE 1 ON PG 4.
- 4. BOLTS THROUGH CONCRETE ON METAL DECK:
 - A. BOLTS SHALL BE TORQUED BY $\frac{3}{4}$ TURN OF THE NUTS AFTER SNUG TIGHT (THE SNUG TIGHT CONDITION IS DEFINED AS THE TIGHTNESS REQUIRED TO BRING THE CONNECTED PLIES INTO FIRM CONTACT) CONDITION IS ACHIEVED, UNLESS NOTED OTHERWISE.
 - B. THROUGH BOLT HOLES SHALL BE $\frac{1}{16}$ " LARGER THAN BOLT SIZE (HOLE SIZE = BOLT SIZE + $\frac{1}{16}$ ")
 - C. THROUGH BOLTS IN CONCRETE SHALL RECEIVE SPECIAL INSPECTION & TESTING (THROUGH BOLTS WITH STEEL TO STEEL CONNECTION IN TENSION DO NOT REQUIRE TESTING) IN ACCORDANCE WITH REQUIREMENTS FOR POST-INSTALLED ANCHORS.

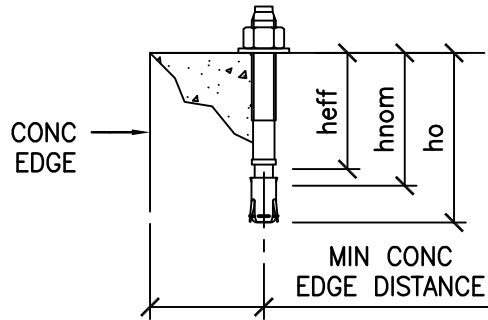


SHEET TITLE: GENERAL NOTES (CONTINUED)

<p>CYS STRUCTURAL ENGINEERS, INC. 2495 NATOMAS PARK DRIVE, SUITE 650 SACRAMENTO, CA 95833</p>	TEL (916) 920-2020 www.cyseng.com	Job No: 13089.01 Date: 4/17/2014 Page: 3 of 25
--	--------------------------------------	--

L:\Jobs\13089 Siemens - Renewal of OSP-0263-10 and OPA-2828-10\OPM-0066-13\STRU\S1.dwg Time:Apr17,2014 - 10:55am Login:camachom Dimstyle:1 LTScale:6

GENERAL NOTES CONTINUED:



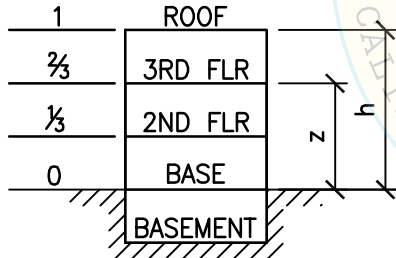
MECHANICAL ANCHOR

POST-INSTALLED ANCHOR SCHEDULE

ANCHOR TYPE & DIA (INCH)	INSTALLATION EMBED (INCH) hnom	EFFECTIVE EMBED (INCH) heff	HOLE DEPTH (INCH) ho	MIN CONC THICKNESS (INCH) h	MIN CONC EDGE DISTANCE (INCH)	MIN AB SPACING UNO (INCH)	TEST LOAD		CONDITION OF ANCHORAGE
							TENSION LOAD (LBS)	TORQUE (FT-LBS)	
KB-TZ 304 SS 1/2"φ	2 3/8"	2	2 5/8"	4	12	6	1410	40	CASE 2
1/4"φ KH-EZ	1 5/8"	1.18	2	3/4"	1 1/4"	10*	400	N/A	CASE 1 AT STRUT

*SEE PAGE 12B OF 25 IN THIS OPM AND FOOTNOTE 2, TABLE 2 IN ESR-3027.

5. TWO (2) CONDITIONS OF ANCHORAGE ARE SPECIFIED AND PRESENTED IN THIS PRE-APPROVAL:
 z/h
 1 ROOF
 2/3 3RD FLR
 1/3 2ND FLR
 0 BASE
 BASEMENT



BLDG ELEV

CASE 1: SUPPORT & ATTACHMENT DETAILS LOCATED AT UPPER FLOORS ABOVE THE BASE OF A BUILDING ($z/h \leq 1.0$), IT IS ASSUMED THAT THE FLOORS ARE BUILT OF A MINIMUM 3 1/4" NORMAL WEIGHT CONCRETE OR SAND-LIGHTWEIGHT CONCRETE TOPPING OVER METAL DECK ($f'c = 3000$ PSI, MIN).
CASE 2: ANCHORAGE DETAILS LOCATED AT OR BELOW THE BASE OF A BUILDING ($z/h = 0$). THE FLOORS ARE ASSUMED TO BE BUILT OF A MINIMUM 4" NORMAL WEIGHT CONCRETE SLAB ($f'c = 3000$ PSI, MIN).

6. SCREW ANCHORS TO BOTTOM OF CONCRETE OVER METAL DECK:
 A. HILTI KH-EZ (ICC ES ESR-3027) TENSION TEST LOAD FOR CASE 1.



SHEET TITLE: GENERAL NOTES (CONTINUED)



CYS STRUCTURAL ENGINEERS, INC.

2495 NATOMAS PARK DRIVE, SUITE 650
SACRAMENTO, CA 95833

TEL (916) 920-2020
www.cyseng.com

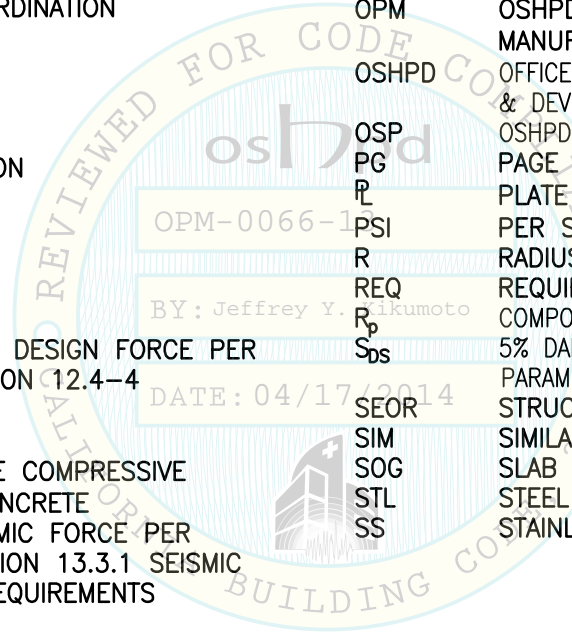
Job No: 13089.01
Date: 4/17/2014
Page: 4 of 25

SIEMENS HEALTHCARE DIAGNOSTICS
EQUIPMENT SUPPORT AND ATTACHMENTS



ABBREVIATIONS:

AB	ANCHOR BOLT	ID	IDENTIFICATION
AISI	AMERICAN IRON & STEEL INSTITUTE	h	AVERAGE ROOF HEIGHT OF STRUCTURE WITH RESPECT TO THE BASE
ALT	ALTERNATE		
Q_p	COMPONENT AMPLIFICATION FACTOR	IN (")	INCH
ASCE	AMERICAN SOCIETY OF CIVIL ENGINEERS	I_p	COMPONENT IMPORTANCE FACTOR
ASTM	AMERICAN SOCIETY FOR TESTING & MATERIALS	KSI	KIPS PER SQUARE INCH
BLDG	BUILDING	L	LENGTH
BLW	BELOW	LBS	POUNDS
C	ANCHORAGE COMPRESSION REACTION DUE TO SEISMIC DESIGN FORCE	LRFD	LOAD & RESISTANCE FACTOR DESIGN
CBC	CALIFORNIA BUILDING CODE	LWC	LIGHT WEIGHT CONCRETE
CG	CENTER OF GRAVITY	MAX	MAXIMUM
CLSE	CALIFORNIA LICENSED STRUCTURAL ENGINEER	MIN	MINIMUM
\bar{C}	CENTERLINE	MTL	METAL
CONC	CONCRETE	NO. (#)	NUMBER OR POUNDS
CONN	CONNECTION	NWC	NORMAL WEIGHT CONCRETE
COORD	COORDINATE/COORDINATION	OEM	ORIGINAL EQUIPMENT MANUFACTURER
DIM	DIMENSION	OPM	OSHPD PRE-APPROVAL OF MANUFACTURER'S CERTIFICATION
DTL(S)	DETAIL(S)	OSHPD	OFFICE OF STATEWIDE HEALTH PLANNING & DEVELOPMENT
DIA (ϕ)	DIAMETER	OSHPD	OSHPD SEISMIC CERTIFICATION PRE-APPROVAL
DWG	DRAWING	PG	PAGE
(E)	EXISTING CONDITION	P_L	PLATE
EA	EACH	PSI	PER SQUARE INCH
ELEV	ELEVATION	R	RADIUS OF GYRATION
EQ	EQUAL	REQ	REQUIRED
EQUIP	EQUIPMENT	R_p	COMPONENT RESPONSE MODIFICATION FACTOR
ES	EACH SIDE	S_{ps}	5% DAMPED SPECTRAL RESPONSE ACCELERATION PARAMETER AT SHORT PERIODS
E_v	VERTICAL SEISMIC DESIGN FORCE PER ASCE 7-10 SECTION 12.4-4	SEOR	STRUCTURAL ENGINEER OF RECORD
FF	FINISH FLOOR	SIM	SIMILAR
FLR	FLOOR	SOG	SLAB ON GRADE
f'_c	MINIMUM ULTIMATE COMPRESSIVE STRENGTH OF CONCRETE	STL	STEEL
F_p	HORIZONTAL SEISMIC FORCE PER ASCE 7-10 SECTION 13.3.1 SEISMIC DESIGN FORCE REQUIREMENTS	SS	STAINLESS STEEL
FT (')	FOOT-FEET		
F_v	VERTICAL SEISMIC DESIGN FORCE PER ASCE 7-10 SECTION 12.4-4 SEISMIC DESIGN FORCE REQUIREMENTS		
F_y	SPECIFIED YIELD STRENGTH OF REINFORCING, PSI OR SPECIFIED MINIMUM YIELD STRESS OF STEEL, KSI		
GA	GAUGE		
GC	GENERAL CONTRACTOR		
HT	HEIGHT		
Hz	HERTZ, CYCLES PER SECOND		



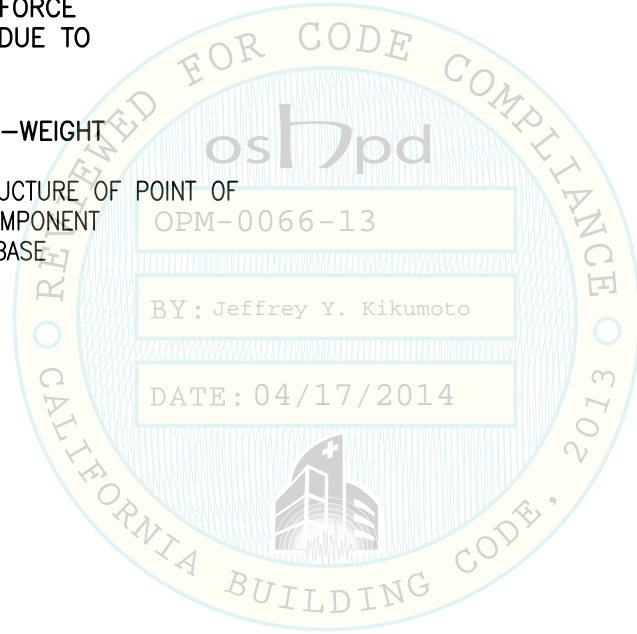
SHEET TITLE: ABBREVIATIONS

	CYS STRUCTURAL ENGINEERS, INC. 2495 NATOMAS PARK DRIVE, SUITE 650 SACRAMENTO, CA 95833	TEL (916) 920-2020 www.cyseng.com	Job No: 13089.01 Date: 4/17/2014 Page: 5 of 25
--	---	--------------------------------------	--

L:\Jobs\13089 Siemens - Renewal of OSP-0263-10 and OPA-2828-10\OPM-0066-13\STRU\S1.dwg Time:Apr17,2014-10:55am Login:camachom Dimstyle:1 LTScale:6

ABBREVIATIONS (CONTINUED):

T&B	TOP & BOTTOM
TEMP	TEMPORARY
THRD	THREAD OR THREADED
T _{max}	MAXIMUM TENSION DUE TO SEISMIC FORCE
T.O.	TOP OF
TOC	TOP OF CONCRETE
T _u	ANCHORAGE TENSION REACTION DUE TO SEISMIC FORCE
TYP	TYPICAL
UNO	UNLESS NOTED OTHERWISE
UPS	UNINTERRUPTIBLE POWER SUPPLIES
USD	ULTIMATE STRENGTH DESIGN
V	ANCHORAGE SHEAR REACTION DUE TO SEISMIC FORCE
V _u	ANCHORAGE SHEAR REACTION DUE TO SEISMIC FORCE
V _{max}	MAXIMUM SHEAR DUE TO SEISMIC FORCE
W/	WITH
W _p	COMPONENT SELF-WEIGHT
WT	WEIGHT
z	HEIGHT IN THE STRUCTURE OF POINT OF ATTACHMENT OF COMPONENT WITH RESPECT TO BASE



SHEET TITLE: ABBREVIATIONS (CONTINUED)

	CYS STRUCTURAL ENGINEERS, INC. 2495 NATOMAS PARK DRIVE, SUITE 650 SACRAMENTO, CA 95833	TEL (916) 920-2020 www.cyseng.com	Job No: 13089.01 Date: 4/17/2014 Page: 6 of 25
--	---	--------------------------------------	--

L:\Jobs\13089 Siemens - Renewal of OSP-0263-10 and OPA-2828-10\OPM-0066-13\STRU\S1.dwg Time:Apr17,2014-10:56am Login:camachom DimScale:1 L1Scale:6

EQUIP ID ONLY:

TABLE 2 – EQUIP ID

UPS ID	COMMERCIAL SUPPLIER	MODEL	SIEMENS PART NO.	SIZE	SIEMENS ANALYZER ¹
1	ALPHA TECHNOLOGIES	PINNACLE PLUS 600T	1000037971	6 kVA	VISTA 500-1500
2	FALCON ELECTRIC	SG2K-1T	10471339	2 kVA	RXL MAX (XPAND, EXL)
			10482144		VERSACELL x3 (110V)
3	POWERVAR	ABCE1100-11B	10330436	1.1 kVA	CENTAUR CP & ADVIA 120, 2120 CENTRALLINK (HCS, SCS)
4	POWERWARE	PW5125 2200i	10701431	2200 VA	CENTAUR XP
5	POWERVAR	ABCDEF3000-22	10485396	3 kVA	ADVIA (1800, 2400)
6	EATON POWERWARE	PW9130i 3000T-XL	103006437-6591	3 kVA	STREAMLAB CENTRIFUGE
7	EATON POWERWARE	PW9130i 2000T-XL	10481616	2 kVA	IMMULITE (2000, -XP)
8	EATON POWERWARE	PW9130G 2000T-XLEU	10813364	2 kVA	IMMULITE (2000, -XP), & VERSACELL X3 (220V)
9	MINUTEMAN	CPE1000 PP	10450063	1 kVA	VIVA JR (VIVAE BASIC)
10	MINUTEMAN	CPE2000	263100.203	2 kVA	SYNGO HCS SERVER KIT WA40 PLUS (96 PLUS)
11	TRIPP-LITE	SMART700DV	1000033916	700 VA	EASYLINK

1. THE VARIOUS SIEMENS HEALTHCARE DIAGNOSTIC EQUIPMENT ELECTRICALLY CONNECTED BY THESE UPS UNITS ARE NOT PART OF THIS OSHPD PRE-APPROVAL.



SHEET TITLE: EQUIP IDENTIFICATION - TABLE 2



CYS STRUCTURAL ENGINEERS, INC.

2495 NATOMAS PARK DRIVE, SUITE 650
SACRAMENTO, CA 95833

TEL (916) 920-2020
www.cyseng.com

Job No:	13089.01
Date:	4/17/2014
Page:	7 of 25

L:\Jobs\13089 Siemens - Renewal of OSP-0263-10 and OPA-2828-10\OPM-0066-13\STRU\S1.dwg Time:Apr17,2014-10:56am Login:camachom DimScale:1 LTScale:6

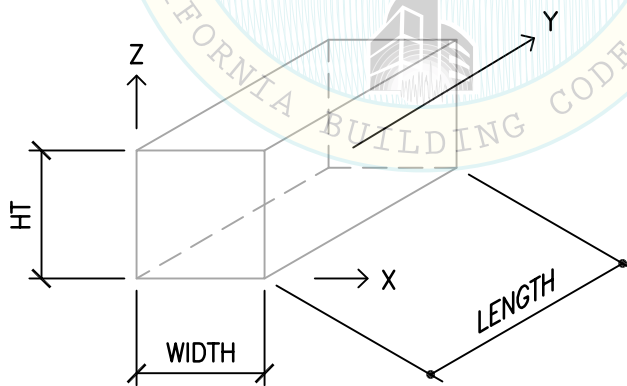
EQUIP GEOMETRY

TABLE 3 – EQUIP GEOMETRY

UPS ID	UPS DIMS			CENTER OF GRAVITY DIMS – CG			UPS WT W _p (LBS)
	WIDTH (IN)	LENGTH (IN)	HT ¹ (IN)	X (IN)	Y (IN)	Z ¹ (IN)	
1	10.15	27.55	39.44	5.1	9.3	15.7	336.6
2	7.6	18.9	13.8	3.8	9.5	6	68.4
3	8.3	19.75	8.75	4.2	9.9	4	73
4	8.07	19.41	9.84	4.0	9.7	5	68
5	11.8	31.91	28.94	5.9	16	16	300
6	8.4	16.2	12.8	4.2	8.1	6	77.2
7	8.4	16.2	12.8	4.2	8.1	6	77.2
8	8.4	16.2	12.8	4.2	8.1	6	77.2
9	5.8	15.8	8.78	2.9	7.9	4.3	35
10	5.1	18.9	14.4	2.6	9.5	7	64
11	9.0	12.5	10.25	4.5	6.3	5	62

1. MEASURED FROM UNIT BASE, INCLUSIVE OF CASTERS WHERE OCCURS.

FIGURE 1 – EQUIP GEOMETRY



DATE: 04/17/2014



SHEET TITLE: EQUIP GEOMETRY - TABLE 3



CYS STRUCTURAL ENGINEERS, INC.

2495 NATOMAS PARK DRIVE, SUITE 650
SACRAMENTO, CA 95833

TEL (916) 920-2020
www.cyseng.com

Job No:	13089.01
Date:	4/17/2014
Page:	8 of 25

L:\Jobs\13089 Siemens - Renewal of OSP-0263-10 and OPA-2828-10\OPM-0066-13\STRU\S1.dwg Time:Apr17,2014-10:56am Login:camachom Dimstyle:1 LTScale:6

SEISMIC DESIGN FORCES (LRFD)

CATEGORY: BATTERIES PER ASCE 7-10 TABLE 13.6-1

$$F_p = \frac{0.4 Q_p S_{DS} W_p}{(R_p/I_p)} (1+2 z/h) \quad \text{ASCE 7-10 (13.3-1)}$$

$$F_p \text{ (MAX)} = 1.6 S_{DS} I_p W_p \quad \text{ASCE 7-10 (13.3-2)}$$

$$F_p \text{ (MIN)} = 0.3 S_{DS} I_p W_p \quad \text{ASCE 7-10 (13.3-3)}$$

$$E_v = F_v = \pm 0.2 S_{DS} W_p \quad \text{ASCE 7-10 (12.4-4)}$$

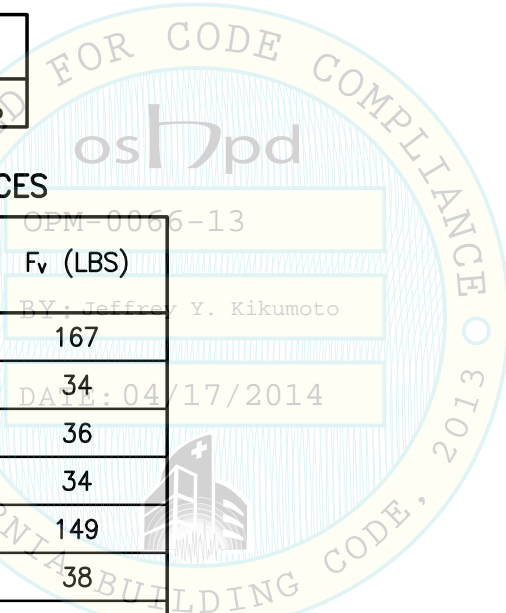
$$\begin{aligned} Q_p &= 1.0 \\ S_{DS} &= 2.49 \quad \Omega_o = 2.5 \\ R_p &= 2.5 \\ I_p &= 1.5 \\ z/h &\leq 1 \text{ FOR CASE 1 OR } z/h = 0 \text{ FOR CASE 2} \end{aligned}$$

TABLE 4 – GOVERNING F_p COEFFICIENT

S_{DS}	CASE 1	CASE 2	F_v
2.49	1.79 W_p	1.12 W_p	0.50 W_p

TABLE 5 – SEISMIC DESIGN FORCES

UPS ID	CASE 1 $\Omega_o F_p$ (LBS)	CASE 2 $\Omega_o F_p$ (LBS)	F_v (LBS)
1	1507	942	167
2	306	191	34
3	327	204	36
4	304	190	34
5	1343	839	149
6	346	216	38
7	346	216	38
8	346	216	38
9	157	98	17
10	287	179	32
11	278	174	31



SHEET TITLE: SEISMIC DESIGN FORCES

<p>CYS STRUCTURAL ENGINEERS, INC. 2495 NATOMAS PARK DRIVE, SUITE 650 SACRAMENTO, CA 95833</p>	TEL (916) 920-2020 www.cyseng.com	Job No: 13089.01 Date: 4/17/2014 Page: 9 of 25
--	--------------------------------------	--

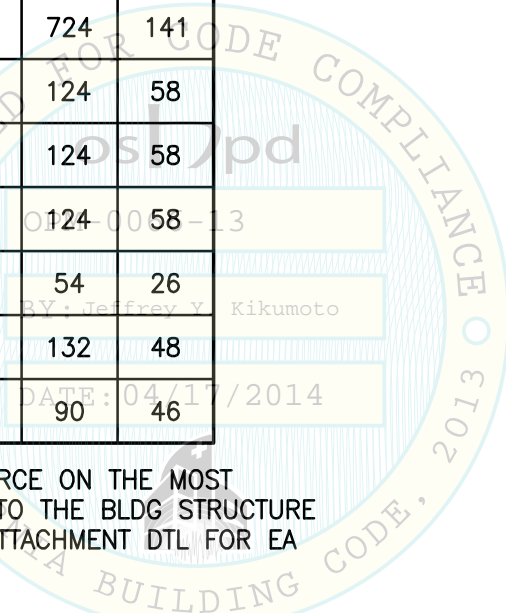
L:\Jobs\13089 Siemens - Renewal of OSP-0263-10 and OPA-2828-10\OPM-0066-13\STRU\S1.dwg Time: Apr 17, 2014 - 10:56am Login: camachom DimScale: 1 L1Scale: 6

MAX ANCHORAGE REACTIONS: 1,2,3

TABLE 6 – MAX ANCHORAGE REACTIONS

UPS ID	CASE 1 (z/h≤1.0)			CASE 2 (z/h=0)		
	T _{Umax} (LBS)	C _{Umax} ⁴ (LBS)	V _{Umax} (LBS)	T _{Umax} (LBS)	C _{Umax} ⁴ (LBS)	V _{Umax} (LBS)
1	925	1071	301	573	718	188
2	156	228	153	43	115	51
3	96	173	163	22	99	54
4	118	189	152	30	101	51
5	1002	1108	225	619	724	141
6	159	240	173	43	124	58
7	159	240	173	43	124	58
8	159	240	173	43	124	58
9	65	102	78	17	54	26
10	220	228	143	65	132	48
11	99	164	139	25	90	46

1. THIS TABLE REPORTS THE MAX FORCE ON THE MOST HIGHLY LOADED BOLT IN A CONN TO THE BLDG STRUCTURE AS SHOWN ON THE SUPPORT & ATTACHMENT DTL FOR EA UPS.
2. ANCHORAGE FORCES CONSIDER ORTHOGONAL LOADING PER ASCE 7-10 SECTION 12.5.3a.
3. THESE FORCES INCLUDE THE OVER-STRENGTH FACTOR (Ω_o).
4. C_{Umax} IS THE MAX COMPRESSION FORCE AT THE EQUIPMENT FOOT EXCEPT AT UPS ID #1 WHERE IT IS THE MAXIMUM COMPRESSION FORCE AT THE ANCHOR LOCATION.



SHEET TITLE: MAX ANCHORAGE REACTIONS

<p>CYS STRUCTURAL ENGINEERS, INC. 2495 NATOMAS PARK DRIVE, SUITE 650 SACRAMENTO, CA 95833</p>	TEL (916) 920-2020 www.cyseng.com	Job No: 13089.01 Date: 4/17/2014 Page: 10 of 25
--	--------------------------------------	---

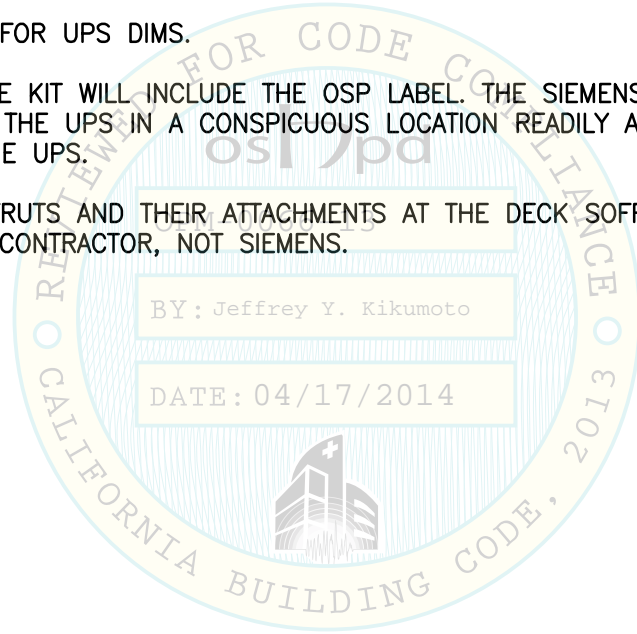
L:\Jobs\13089 Siemens - Renewal of OSP-0263-10 and OPA-2828-10\OPM-0066-13\STRU\S1.dwg Time: Apr 17, 2014 - 10:56am Login: camachom Dimstyle: 1 LTScale: 6

UPS INSTALLATION NOTES:

1. FOR EQUIP ID, SEE PG 7.
2. FOR EQUIP GEOMETRY, SEE PG 8.
3. FOR EQUIP SUPPORT & ATTACHMENT DESIGN FORCES AND ANCHORAGE REACTIONS, SEE PGS 9 & 10.
FOR EQUIP SUPPORT & ATTACHMENT DTLS, SEE PGS 24 & 25.
4. REFER TO PG 2 THRU 6 FOR GENERAL NOTES & ABBREVIATIONS.
5. INSTALLATION OF UPS UNIT TO SUPPORT BRACKET IS THE RESPONSIBILITY OF SIEMENS.
REFER TO PGS 12A THRU 25 FOR SIEMENS ANCHOR ASSEMBLY DWGS.
6. AB INSTALLATION TO STRUCTURE SHALL BE PERFORMED BY A GC.
7. THE GC & SIEMENS MUST WORK CONCURRENTLY TO COMPLETE THE UPS INSTALLATION.
8. SEE TABLE 3 ON PG 8 FOR UPS DIMS.
9. THE SIEMENS ANCHORAGE KIT WILL INCLUDE THE OSP LABEL. THE SIEMENS REPRESENTATIVE SHALL
AFFIX THIS LABEL ONTO THE UPS IN A CONSPICUOUS LOCATION READILY ACCESSIBLE TO VIEW DURING
THE INSTALLATION OF THE UPS.
10. THE INSTALLATION OF STRUTS AND THEIR ATTACHMENTS AT THE DECK SOFFIT SHALL BE THE
RESPONSIBILITY OF THE CONTRACTOR, NOT SIEMENS.

BY: Jeffrey Y. Kikumoto

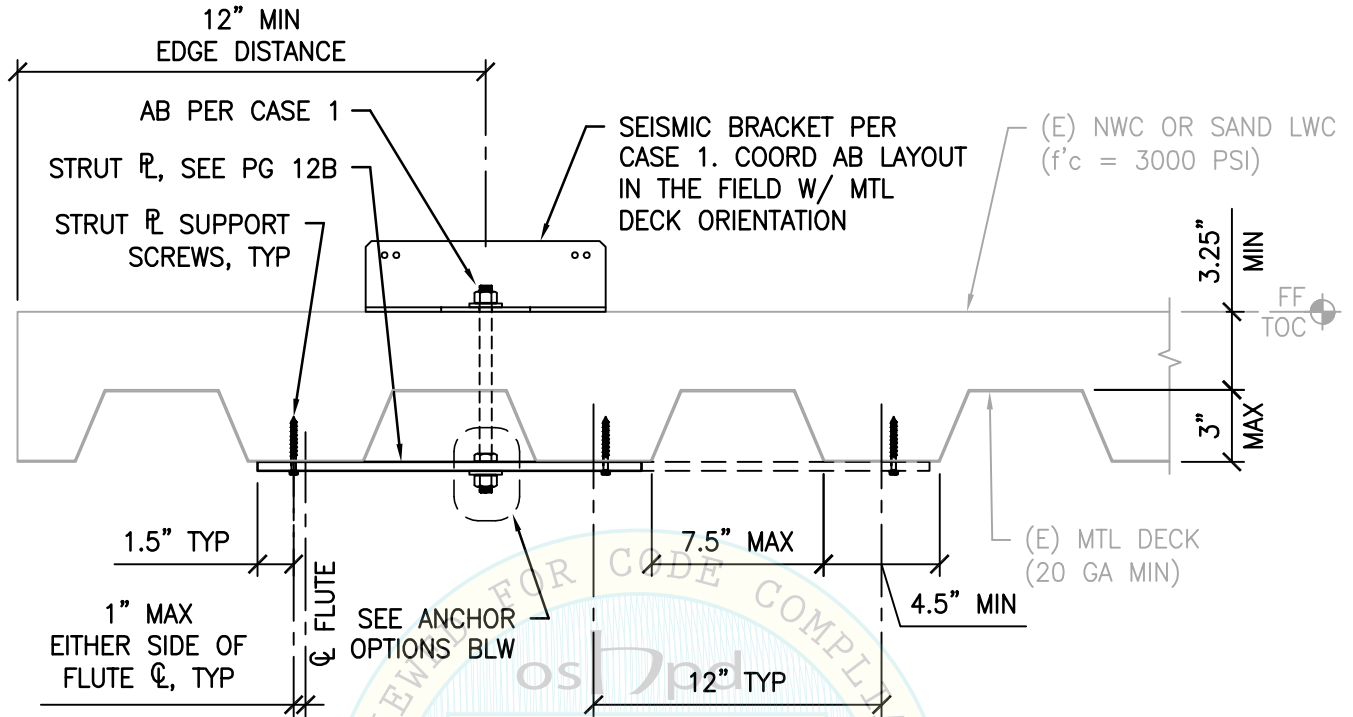
DATE: 04/17/2014



SHEET TITLE: UPS INSTALLATION NOTES

<p>CYS STRUCTURAL ENGINEERS, INC. 2495 NATOMAS PARK DRIVE, SUITE 650 SACRAMENTO, CA 95833</p>	TEL (916) 920-2020 www.cyseng.com	Job No: 13089.01 Date: 4/17/2014 Page: 11 of 25

L:\Jobs\13089 Siemens - Renewal of OSP-0263-10 and OPA-2828-10\OPM-0066-13\STRU\S1.dwg Time:Apr17,2014-10:56am Login:camachom DimScale:1 LTScale:6

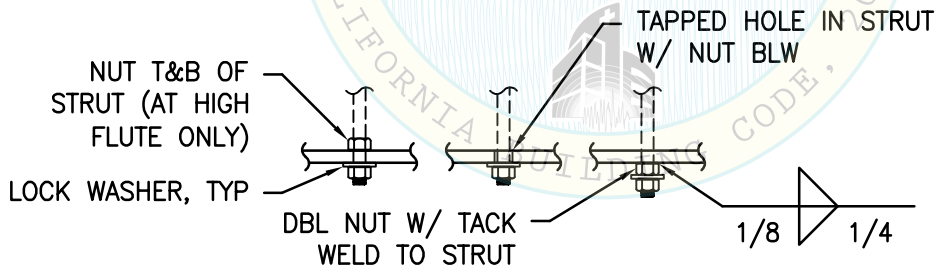


OPM-0066-13

SECTION VIEW

BY: Jeffrey Y. Kikumoto

DATE: 04/17/2014



ANCHOR OPTIONS



SHEET TITLE: TYPICAL STRUT DETAIL



CYS STRUCTURAL ENGINEERS, INC.

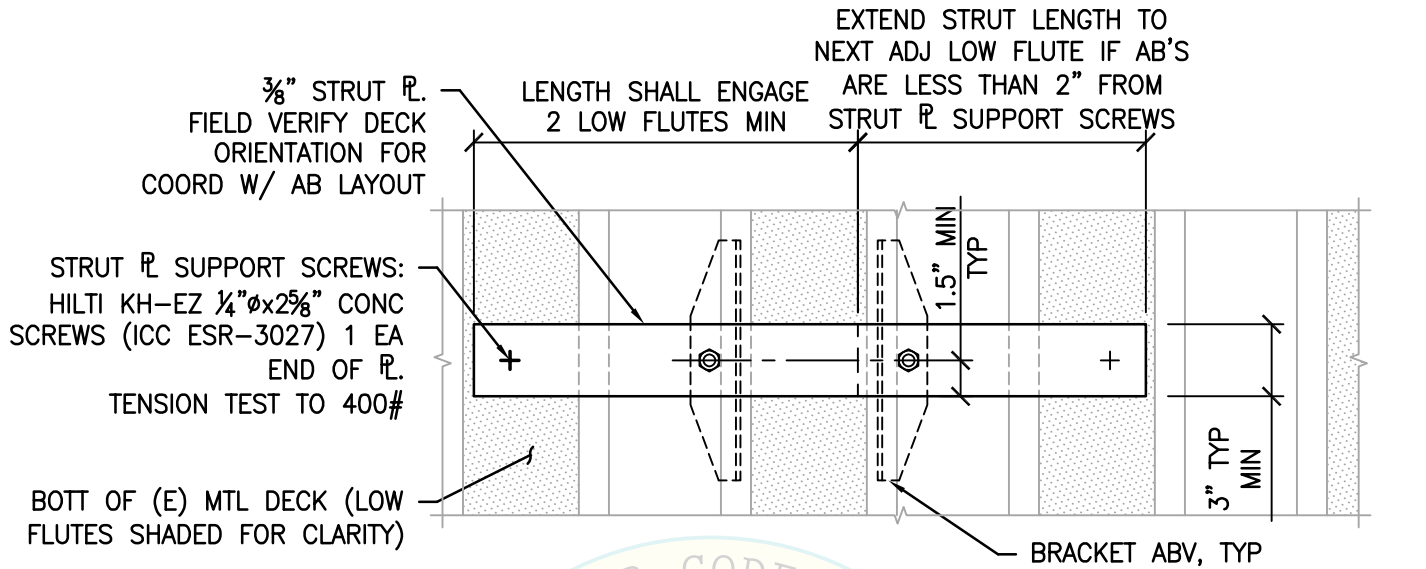
2495 NATOMAS PARK DRIVE, SUITE 650
SACRAMENTO, CA 95833

TEL (916) 920-2020
www.cyseng.com

Job No:	13089.01
Date:	4/17/2014
Page:	12A of 25

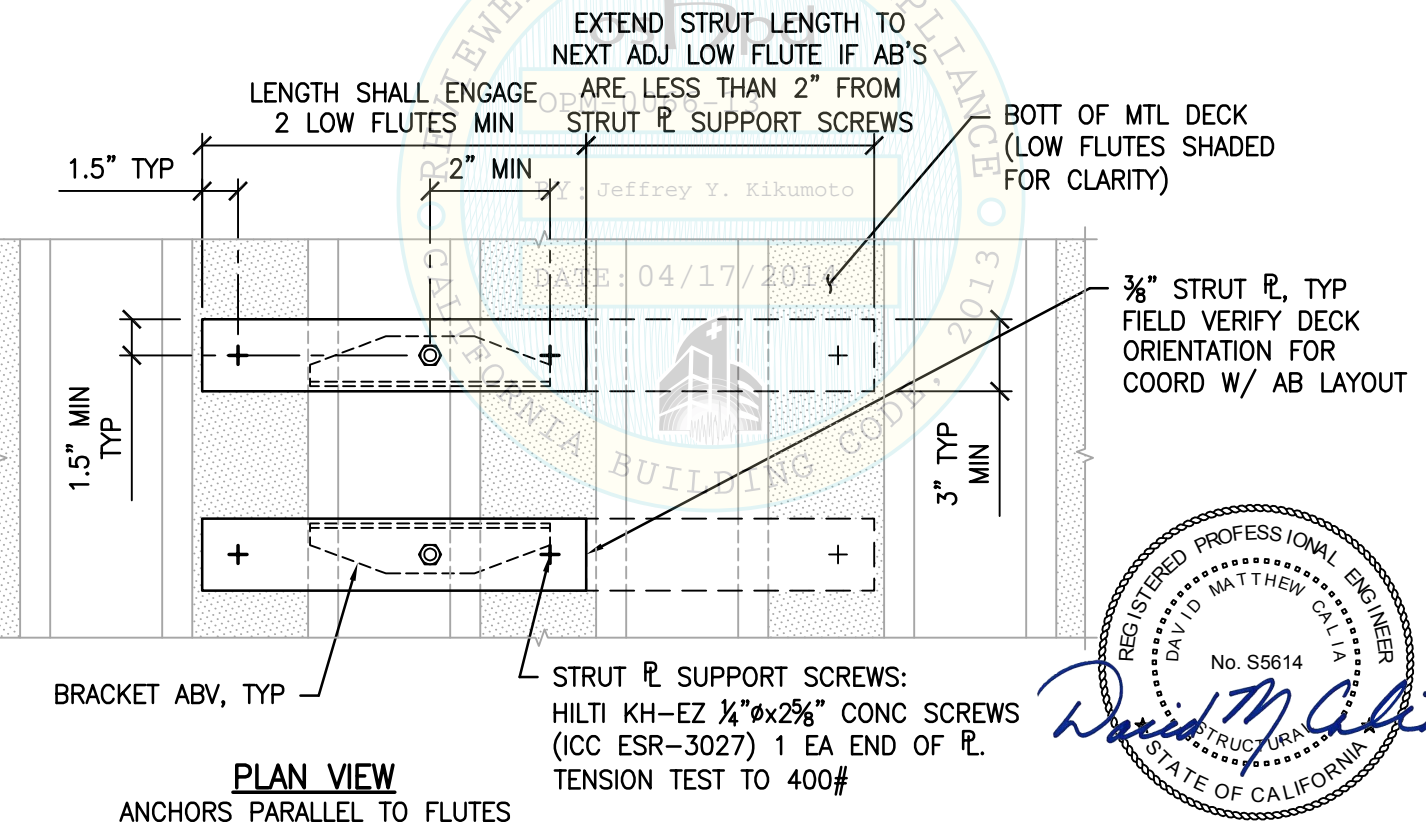
L:\Jobs\13089 Siemens - Renewal of OSP-0263-10 and OPA-2828-10\OPM-0066-13\STRU\S1.dwg Time: Apr 17, 2014 - 10:57am Login: camachom DimScale: 1 L1Scale: 6

L:\Jobs\13089 Siemens - Renewal of OSP-0263-10 and OPA-2828-10\OPM-0066-13\STRU\S1.dwg Time:Apr17,2014-10:57am Login:camachom DimScale:1 L1Scale:6



PLAN VIEW

ANCHORS PERPENDICULAR TO FLUTES



PLAN VIEW

ANCHORS PARALLEL TO FLUTES



SHEET TITLE: TYPICAL STRUT DETAIL (CONTINUED)



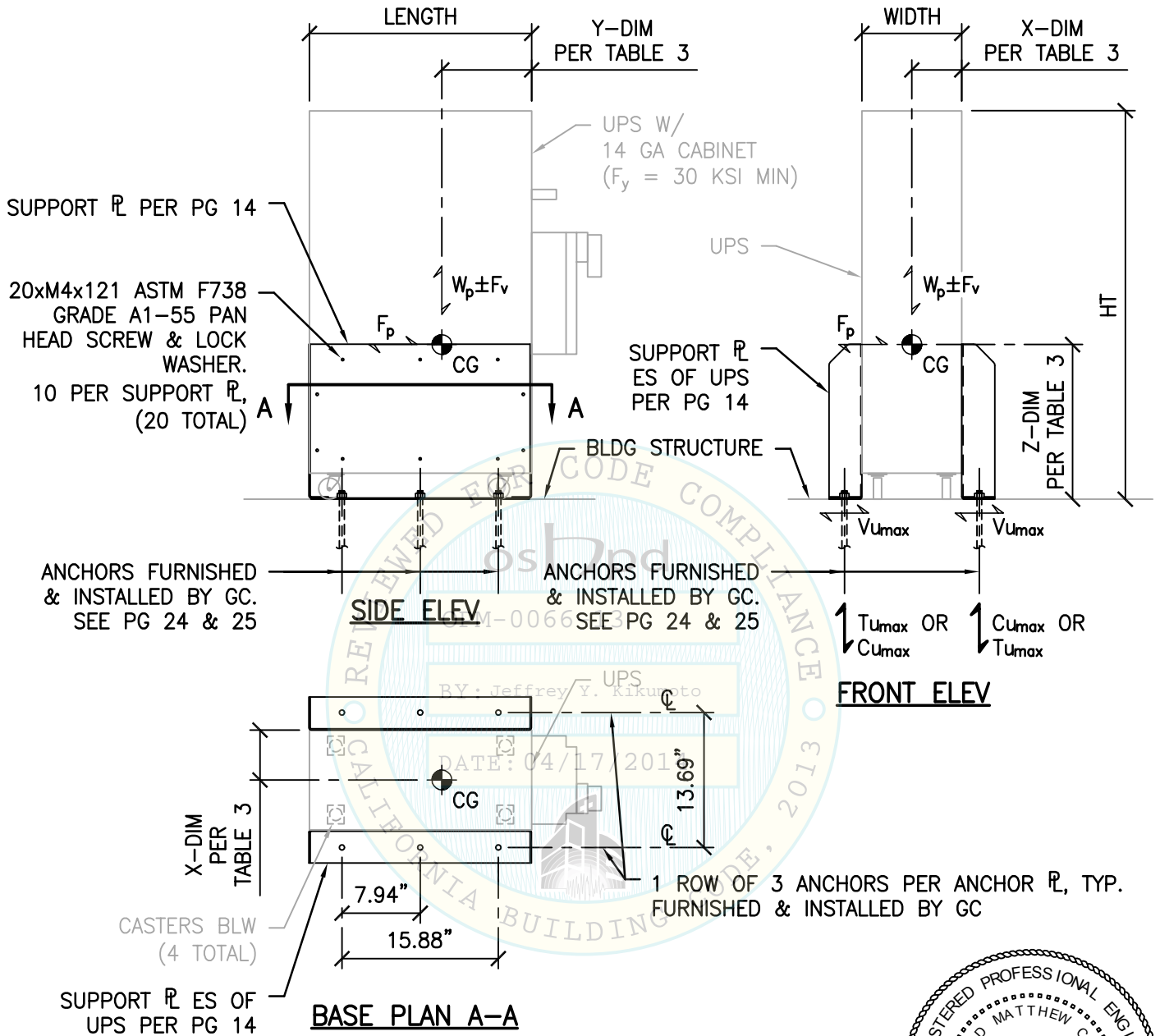
CYS STRUCTURAL ENGINEERS, INC.

2495 NATOMAS PARK DRIVE, SUITE 650
SACRAMENTO, CA 95833

TEL (916) 920-2020
www.cyseng.com

Job No:	13089.01
Date:	4/17/2014
Page:	12B of 25

SIEMENS HEALTHCARE DIAGNOSTICS
EQUIPMENT SUPPORT AND ATTACHMENTS



- NOTES:**
- SEE PG 11 FOR INSTALLATION NOTES.
 - ALL ITEMS SHALL BE FURNISHED & INSTALLED BY SIEMENS EXCEPT AS NOTED.

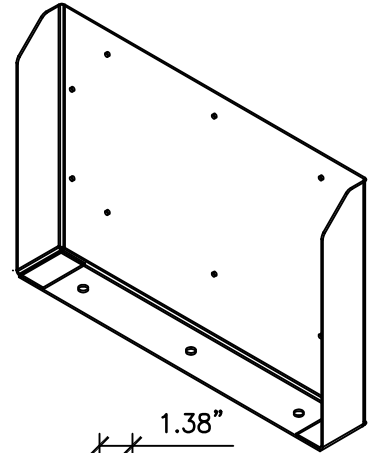
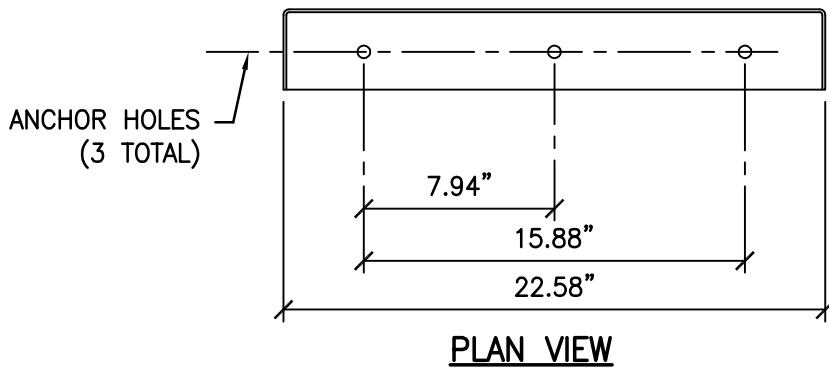


SHEET TITLE: UPS ID #1
BASE PLAN & ELEVATIONS

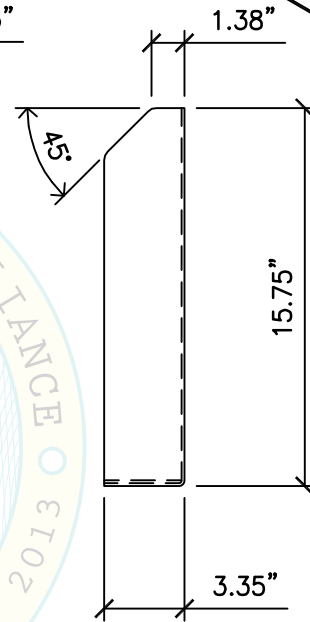
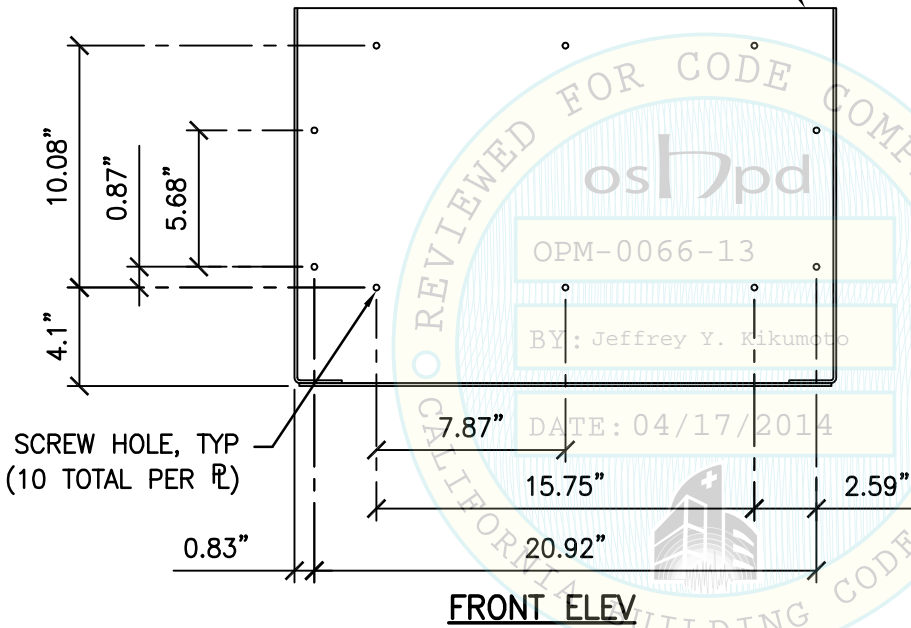
<p>CYS STRUCTURAL ENGINEERS, INC. 2495 NATOMAS PARK DRIVE, SUITE 650 SACRAMENTO, CA 95833</p>	TEL (916) 920-2020 www.cyseng.com	Job No: 13089.01 Date: 4/17/2014 Page: 13 of 25
--	--------------------------------------	---

L:\Jobs\13089 Siemens - Renewal of OSP-0263-10 and OPA-2828-10\OPM-0066-13\STRU\S1.dwg Time: Apr 17, 2014 10:57am Login: camachom Dimstyle: 1 L1Scale: 6

SIEMENS HEALTHCARE DIAGNOSTICS
EQUIPMENT SUPPORT AND ATTACHMENTS



AISI 1018 ($F_y = 30$ KSI MIN)
CRS 0.1196" THK (11 GA)

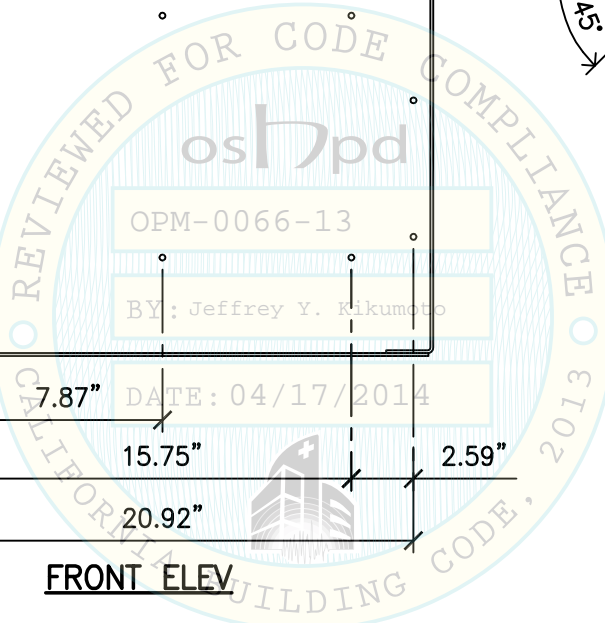


FRONT ELEV

SIDE ELEV

NOTES:

- SEE PG 11 FOR INSTALLATION NOTES.
- ALL ITEMS SHALL BE FURNISHED & INSTALLED BY SIEMENS EXCEPT AS NOTED.



SHEET TITLE: UPS ID #1

SUPPORT PLATE DETAIL



CYS STRUCTURAL ENGINEERS, INC.

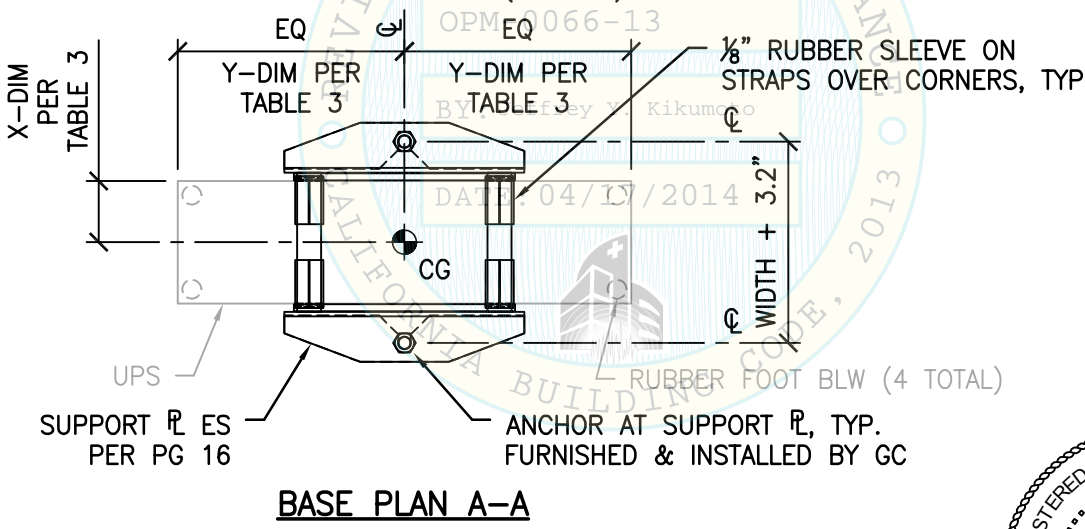
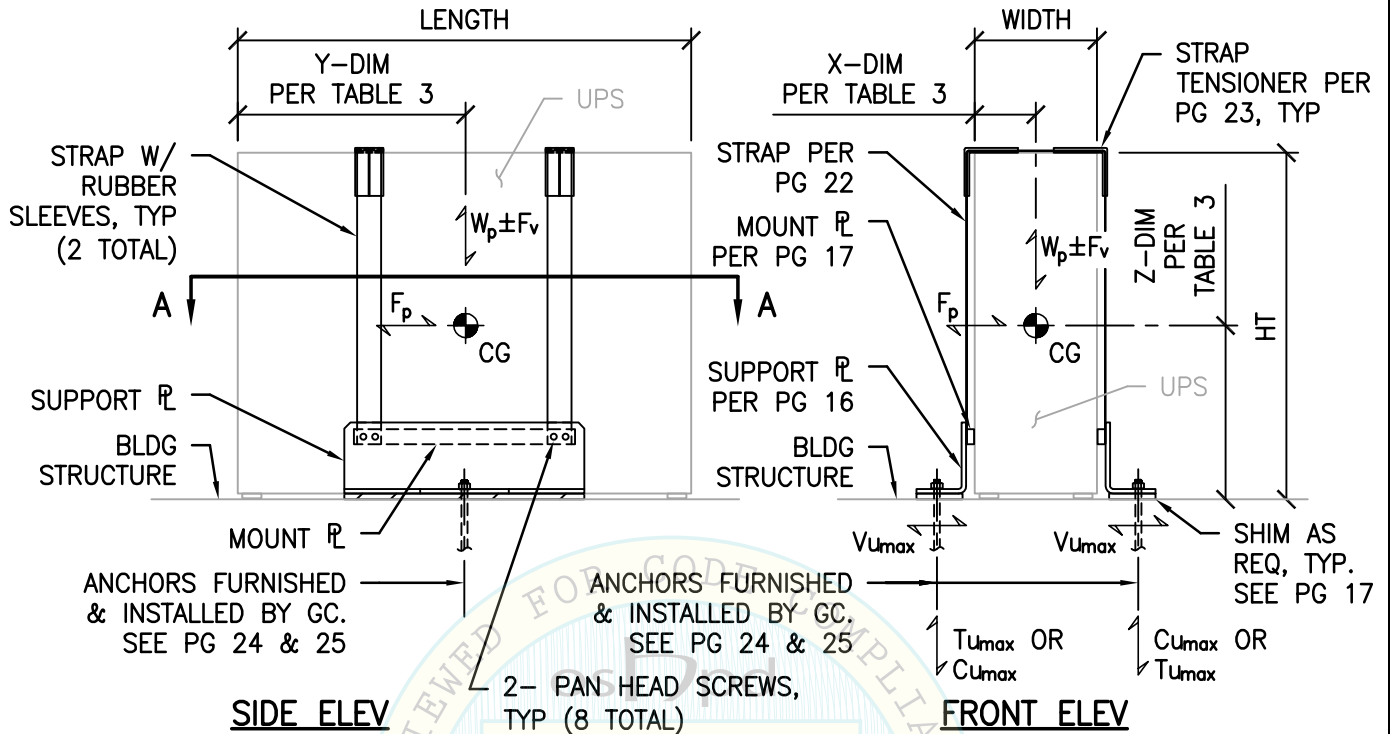
2495 NATOMAS PARK DRIVE, SUITE 650
SACRAMENTO, CA 95833

TEL (916) 920-2020
www.cyseng.com

Job No:	13089.01
Date:	4/17/2014
Page:	14 of 25

L:\Jobs\13089 Siemens - Renewal of OSP-0263-10 and OPA-2828-10\OPM-0066-13\STRU\S1.dwg Time:Apr17,2014-10:57am Login:camachom Dimstyle:1 LTScale:6

SIEMENS HEALTHCARE DIAGNOSTICS
EQUIPMENT SUPPORT AND ATTACHMENTS



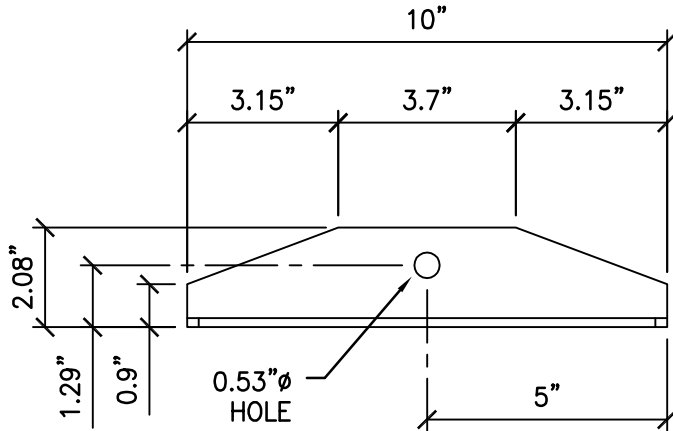
- NOTES:**
- SEE PG 11 FOR INSTALLATION NOTES.
 - ALL ITEMS SHALL BE FURNISHED & INSTALLED BY SIEMENS EXCEPT AS NOTED.



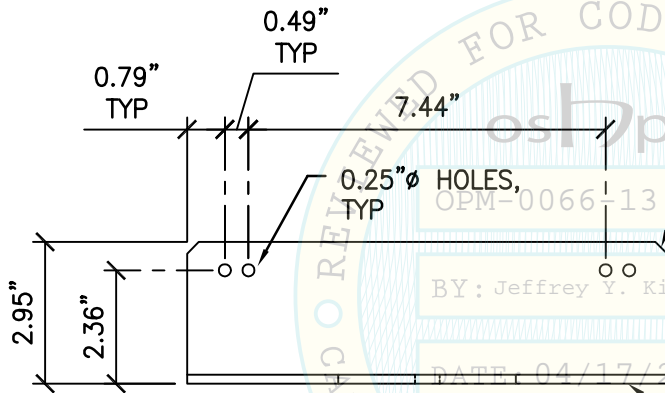
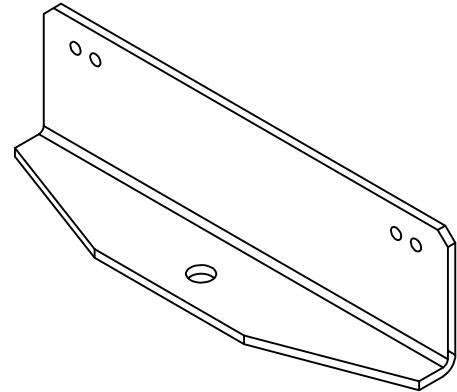
SHEET TITLE: UPS ID #2, 3, 4, 6, 7, 8, 9, 10 & 11
BASE PLAN & ELEVATIONS

<p>CYS STRUCTURAL ENGINEERS, INC. 2495 NATOMAS PARK DRIVE, SUITE 650 SACRAMENTO, CA 95833</p>	TEL (916) 920-2020 www.cyseng.com	Job No: 13089.01 Date: 4/17/2014 Page: 15 of 25
--	--------------------------------------	---

L:\Jobs\13089 Siemens - Renewal of OSP-0263-10 and OPA-2828-10\OPM-0066-13\STRU\S1.dwg Time:Apr17,2014-10:57am Login:camachom Dimstyle:1 LTScale:6

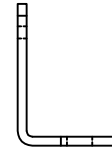


PLAN VIEW



FRONT VIEW

0.49" TYP
0.79" TYP
7.44"
0.25" ϕ HOLES, TYP
CHAMFER, TYP
AISI 1018 ($F_y = 30$ KSI MIN)
CRS BENT PL, 0.188" THK



SIDE VIEW

NOTES:

- SEE PG 11 FOR INSTALLATION NOTES.
- ALL ITEMS SHALL BE FURNISHED & INSTALLED BY SIEMENS EXCEPT AS NOTED.



SHEET TITLE: UPS ID #2, 3, 4, 6, 7, 8, 9, 10 & 11
SUPPORT PLATE DETAIL



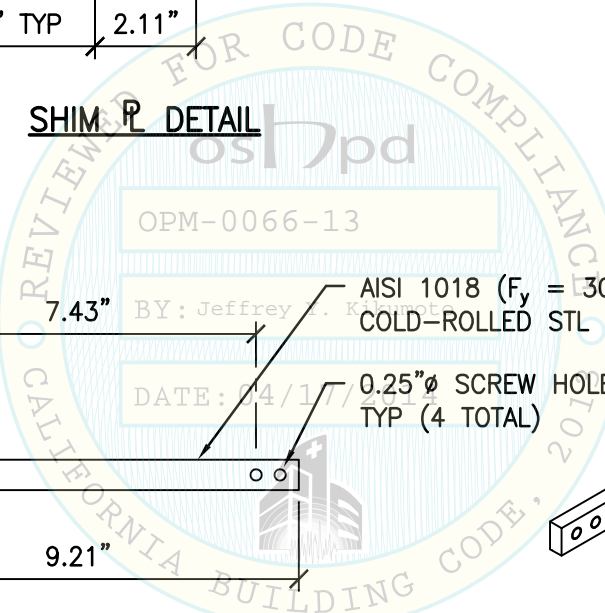
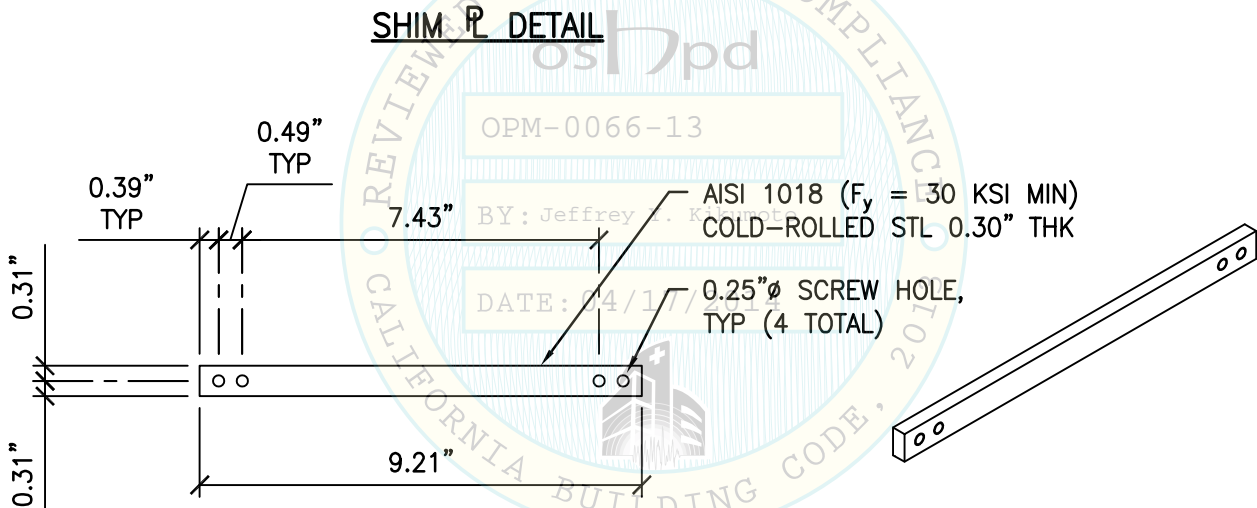
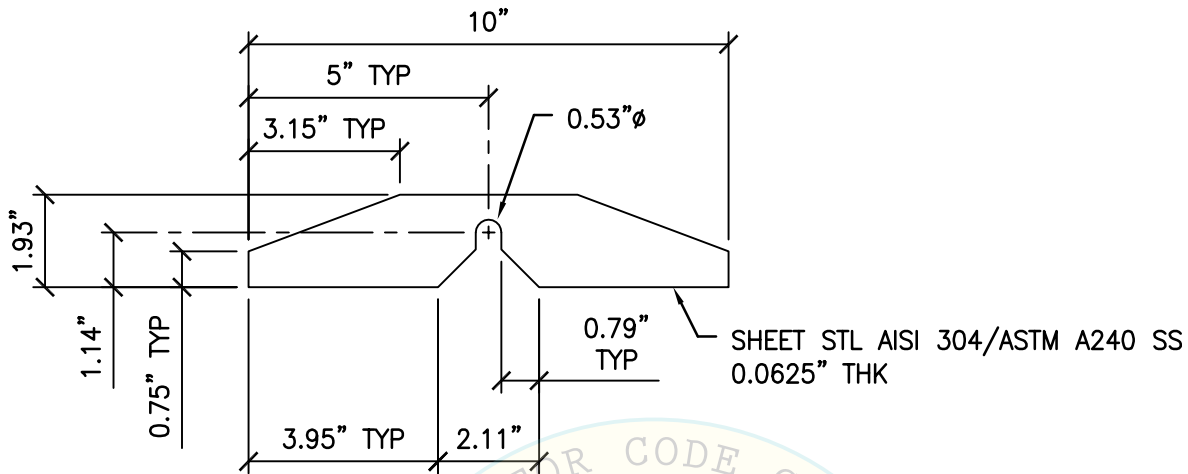
CYS STRUCTURAL ENGINEERS, INC.

2495 NATOMAS PARK DRIVE, SUITE 650
SACRAMENTO, CA 95833

TEL (916) 920-2020
www.cyseng.com

Job No:	13089.01
Date:	4/17/2014
Page:	16 of 25

L:\Jobs\13089 Siemens - Renewal of OSP-0263-10 and OPA-2828-10\OPM-0066-13\STRU\S1.dwg Time:Apr17,2014-10:57am Login:camachom DimScale:1 LTScale:6



- NOTES:**
- SEE PG 11 FOR INSTALLATION NOTES.
 - ALL ITEMS SHALL BE FURNISHED & INSTALLED BY SIEMENS EXCEPT AS NOTED.

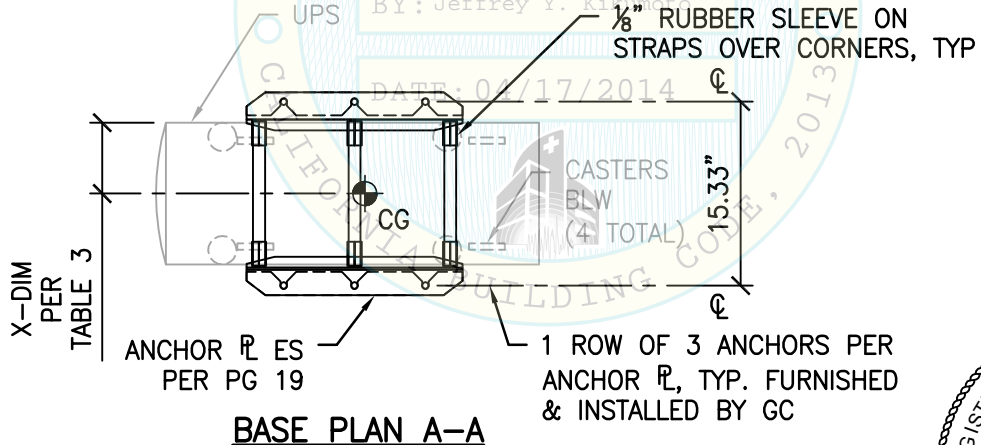
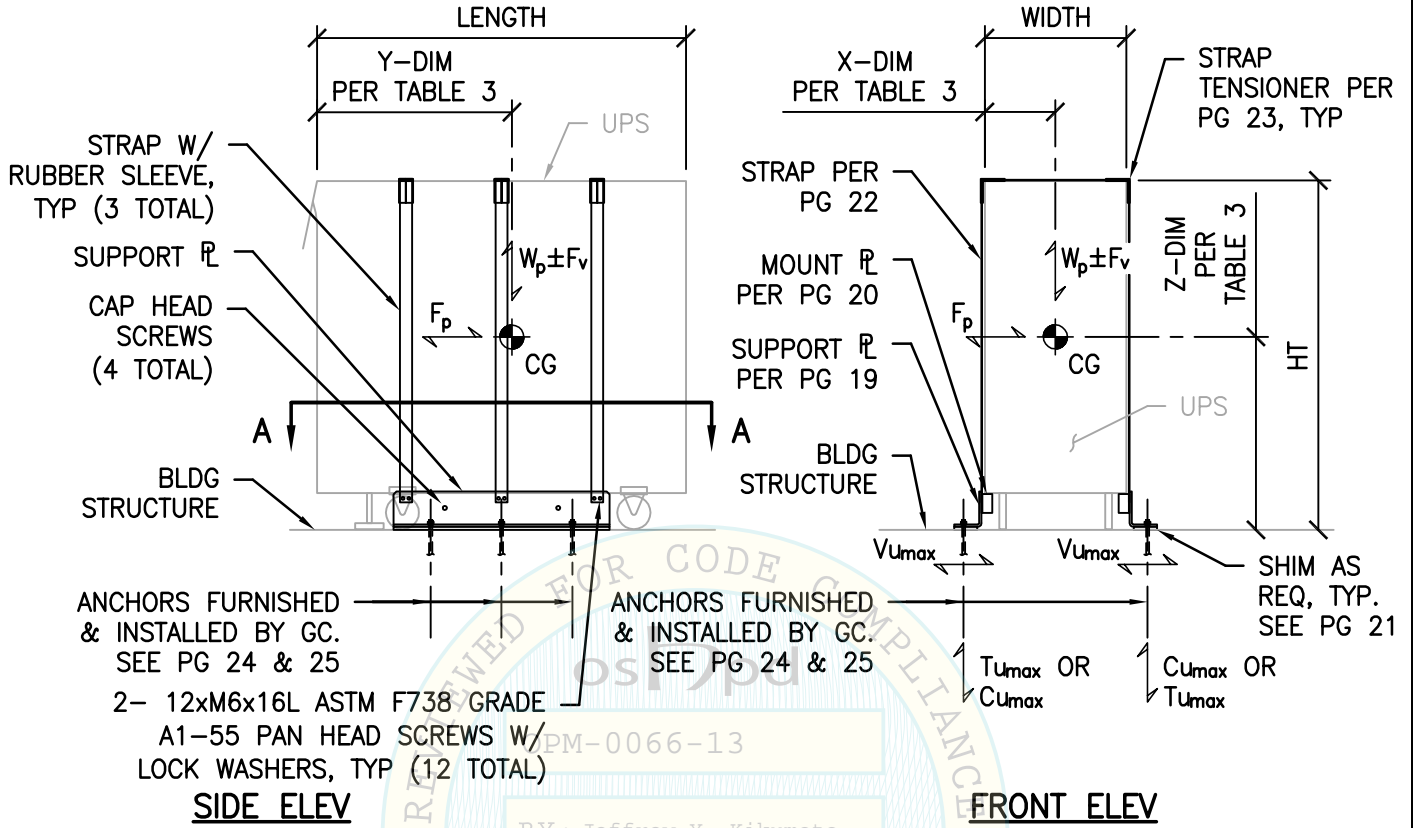
REGISTERED PROFESSIONAL ENGINEER
DAVID MATTHEW CALI
No. S5614
STRUCTURAL
STATE OF CALIFORNIA

David M. Cali

SHEET TITLE: UPS ID #2, 3, 4, 6, 7, 8, 9, 10 & 11
MOUNT PLATE DETAIL

 <p>CYS STRUCTURAL ENGINEERS, INC. 2495 NATOMAS PARK DRIVE, SUITE 650 SACRAMENTO, CA 95833</p>	TEL (916) 920-2020 www.cyseng.com	Job No: 13089.01 Date: 4/17/2014 Page: 17 of 25
--	--------------------------------------	---

L:\Jobs\13089 Siemens - Renewal of OSP-0263-10 and OPA-2828-10\OPM-0066-13\STRU\S1.dwg Time: Apr 17, 2014 - 10:57am Login: camachom Dimstyle: 1 LTScale: 6



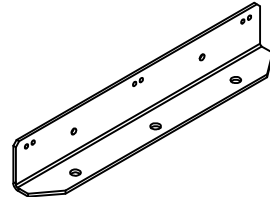
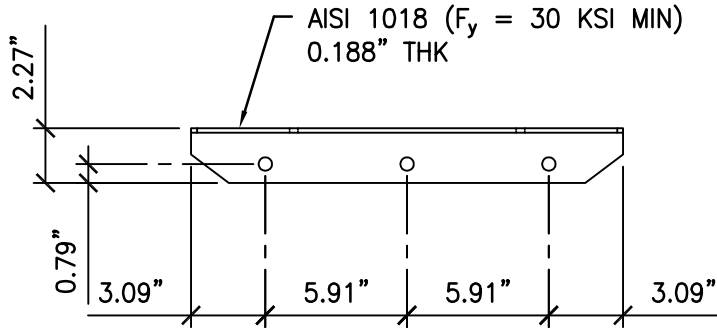
- NOTES:**
- SEE PG 11 FOR INSTALLATION NOTES.
 - ALL ITEMS SHALL BE FURNISHED & INSTALLED BY SIEMENS EXCEPT AS NOTED.



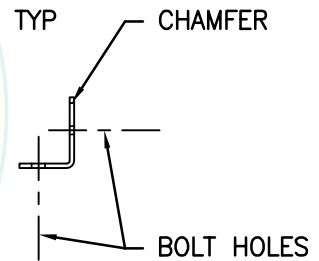
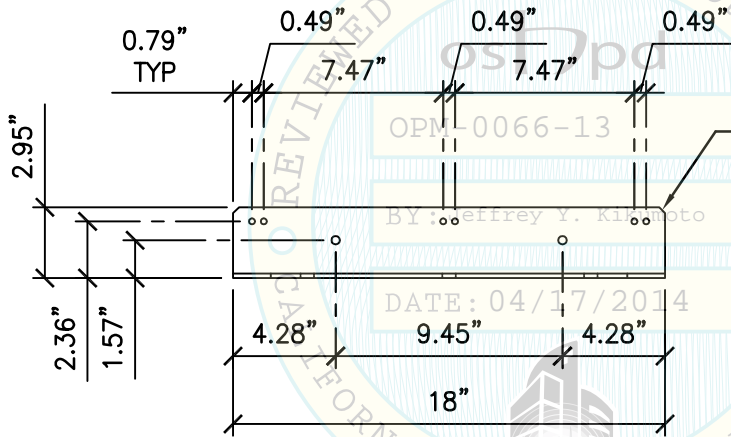
SHEET TITLE: UPS ID #5
BASE PLAN & ELEVATIONS

<p>CYS STRUCTURAL ENGINEERS, INC. 2495 NATOMAS PARK DRIVE, SUITE 650 SACRAMENTO, CA 95833</p>	TEL (916) 920-2020 www.cyseng.com	Job No: 13089.01 Date: 4/17/2014 Page: 18 of 25
--	--------------------------------------	---

L:\Jobs\13089 Siemens - Renewal of OSP-0263-10 and OPA-2828-10\OPM-0066-13\STRU\S1.dwg Time: Apr 17, 2014 - 10:58am Login: camachom DimScale: 1 L1Scale: 6



PLAN VIEW



FRONT VIEW

SIDE VIEW

NOTES:

1. SEE PG 11 FOR INSTALLATION NOTES.
2. ALL ITEMS SHALL BE FURNISHED & INSTALLED BY SIEMENS EXCEPT AS NOTED.



SHEET TITLE: UPS ID #5

SUPPORT PLATE DETAIL



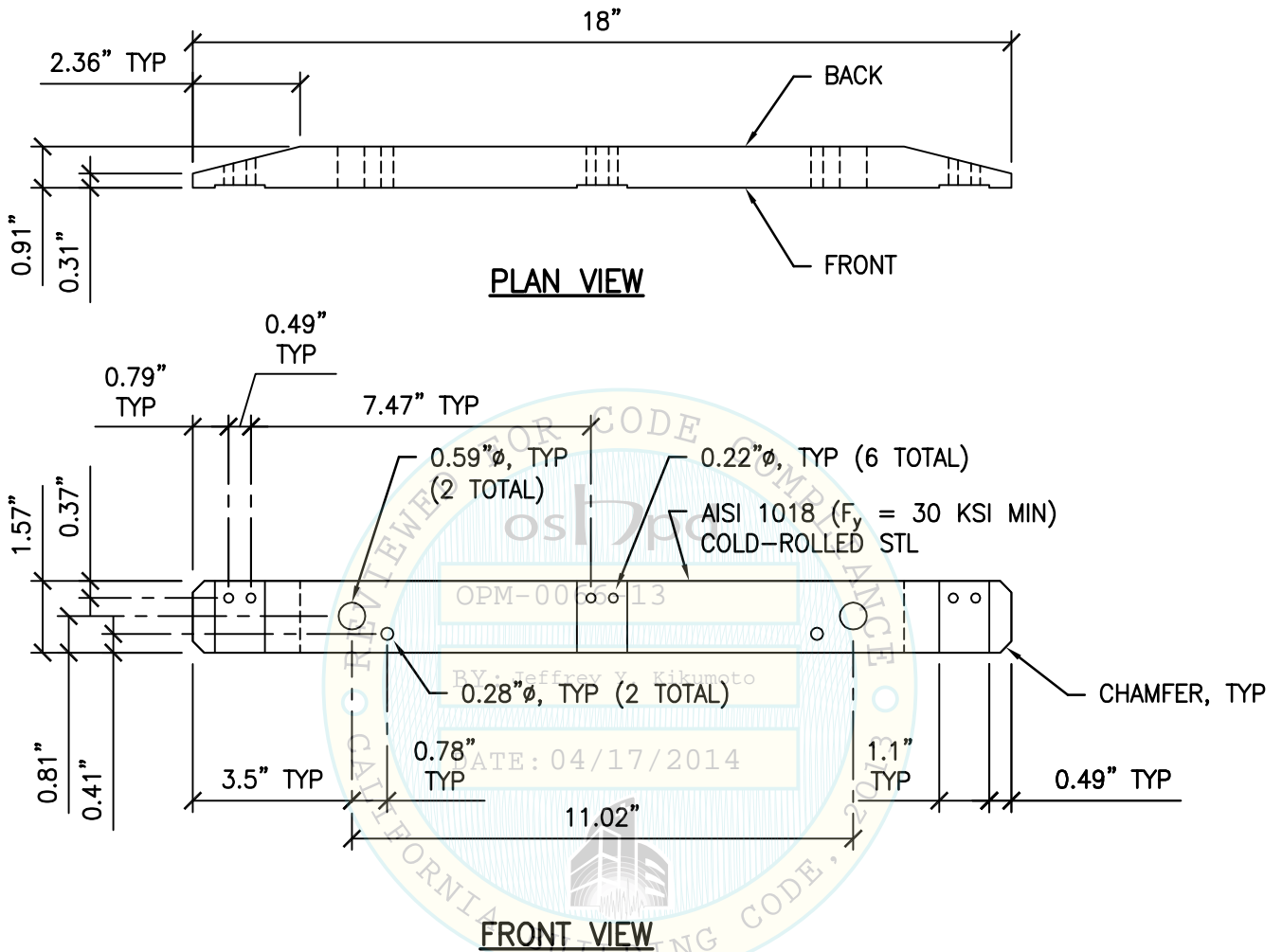
CYS STRUCTURAL ENGINEERS, INC.

2495 NATOMAS PARK DRIVE, SUITE 650
SACRAMENTO, CA 95833

TEL (916) 920-2020
www.cyseng.com

Job No:	13089.01
Date:	4/17/2014
Page:	19 of 25

L:\Jobs\13089 Siemens - Renewal of OSP-0263-10 and OPA-2828-10\OPM-0066-13\STRU\S1.dwg Time: Apr 17, 2014 - 10:58am Login: camachom Dimstyle: 1 LTScale: 6



NOTES:

- SEE PG 11 FOR INSTALLATION NOTES.
- ALL ITEMS SHALL BE FURNISHED & INSTALLED BY SIEMENS EXCEPT AS NOTED.



SHEET TITLE: UPS ID #5
MOUNT PLATE DETAIL



CYS STRUCTURAL ENGINEERS, INC.

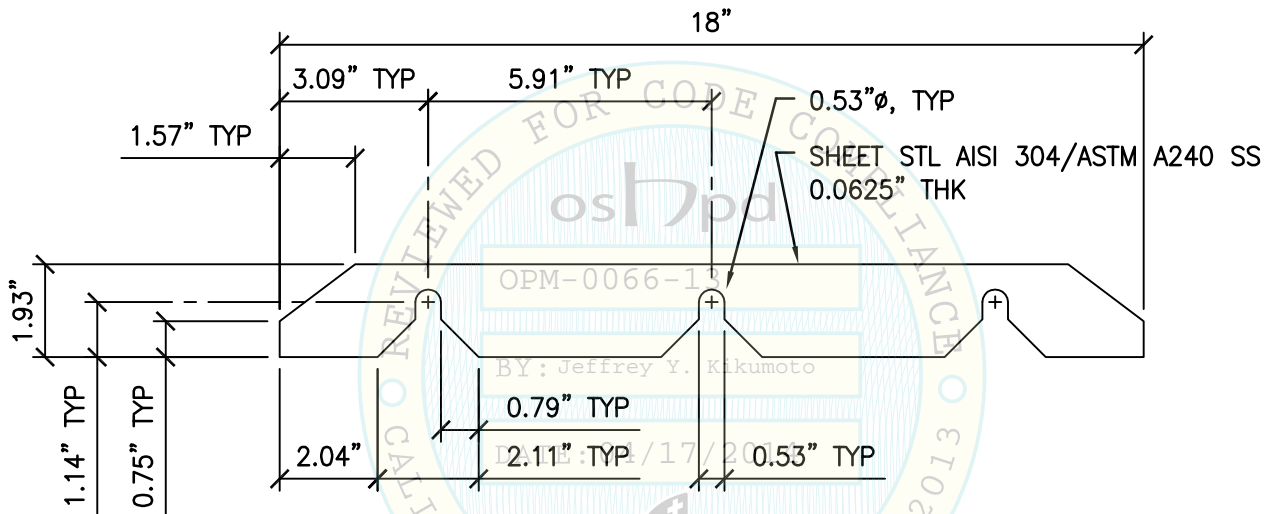
2495 NATOMAS PARK DRIVE, SUITE 650
SACRAMENTO, CA 95833

TEL (916) 920-2020
www.cyseng.com

Job No:	13089.01
Date:	4/17/2014
Page:	20 of 25

L:\Jobs\13089 Siemens - Renewal of OSP-0263-10 and OPA-2828-10\OPM-0066-13\STRU\S1.dwg Time:Apr17,2014-10:58am Login:camachom DimScale:1 LTScale:6

L:\Jobs\13089 Siemens - Renewal of OSP-0263-10 and OPA-2828-10\OPM-0066-13\STRU\S1.dwg Time:Apr17,2014-10:58am Login:camachom Dimscale:1 LScale:6



NOTES:

1. SEE PG 11 FOR INSTALLATION NOTES.
2. ALL ITEMS SHALL BE FURNISHED & INSTALLED BY SIEMENS EXCEPT AS NOTED.



SHEET TITLE: UPS ID #5
SHIM PLATE DETAIL



CYS STRUCTURAL ENGINEERS, INC.

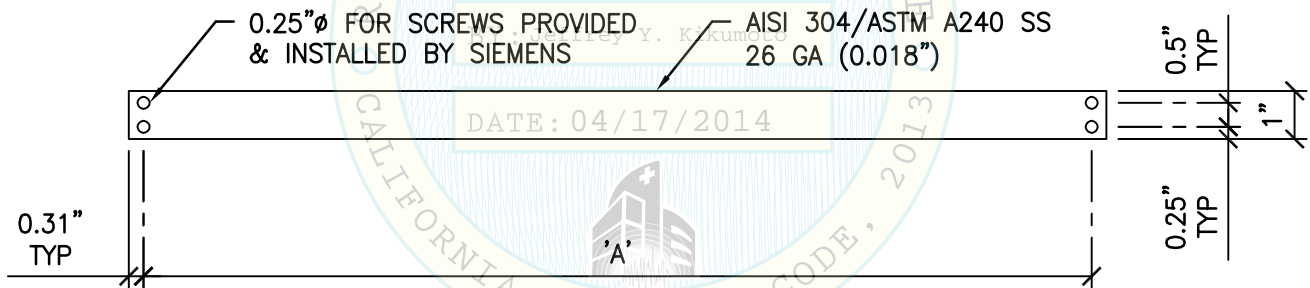
2495 NATOMAS PARK DRIVE, SUITE 650
SACRAMENTO, CA 95833

TEL (916) 920-2020
www.cyseng.com

Job No:	13089.01
Date:	4/17/2014
Page:	21 of 25

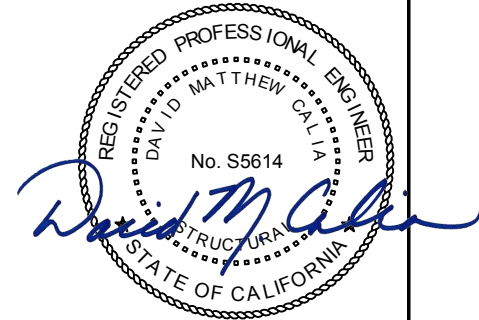
STRAP LENGTH ¹			
UPS ID	DIM "A" (IN)	NOMINAL TENSION (T)-lb	MIN FREQUENCY Hz ²
2	29.438	62	100
3	20.75	38	137
4	22.625	42	125
5	64.375	271	92
6	30.563	59	107
7	30.563	59	107
8	30.563	59	107
9	18.25	57	167
10	28.875	85	112
11	24.25	35	108

1. 1/8" RUBBER SLEEVE OVER UPS CORNERS NOT SHOWN. SIEMENS FURNISHED & INSTALLED.
2. MIN STRAP TENSION SHALL BE VERIFIED W/ A "TRUMMETER" BELT TENSIONER OR EQUIVALENT IN THE PRESENCE OF THE PROJECT INSPECTOR.



NOTES:

1. SEE PG 11 FOR INSTALLATION NOTES.
2. ALL ITEMS SHALL BE FURNISHED & INSTALLED BY SIEMENS EXCEPT AS NOTED.
3. SEE PG 23 FOR STRAP TENSIONER & INSTALLATION.



SHEET TITLE: UPS ID #5
STRAP DETAIL



CYS STRUCTURAL ENGINEERS, INC.

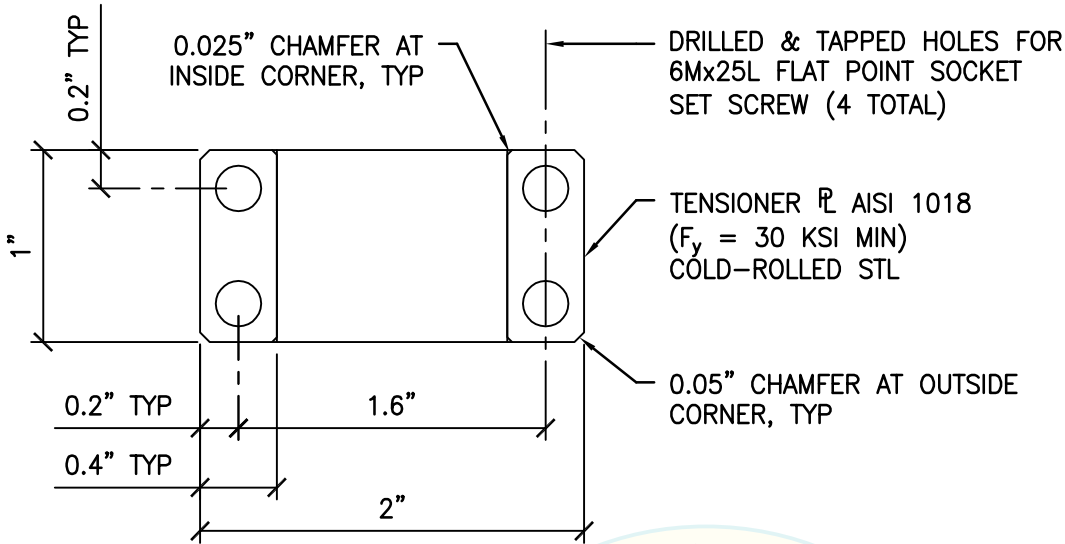
2495 NATOMAS PARK DRIVE, SUITE 650
SACRAMENTO, CA 95833

TEL (916) 920-2020
www.cyseng.com

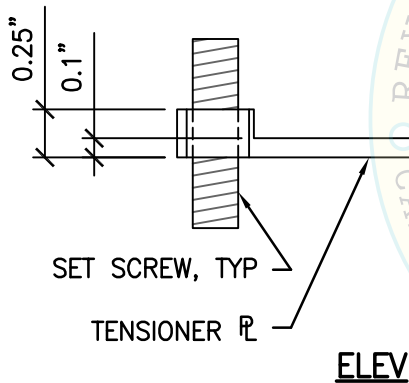
Job No:	13089.01
Date:	4/17/2014
Page:	22 of 25

L:\Jobs\13089 Siemens - Renewal of OSP-0263-10 and OPA-2828-10\OPM-0066-13\STRU\S1.dwg Time:Apr17,2014-10:58am Login:camachom Dimstyle:1 LTScale:6

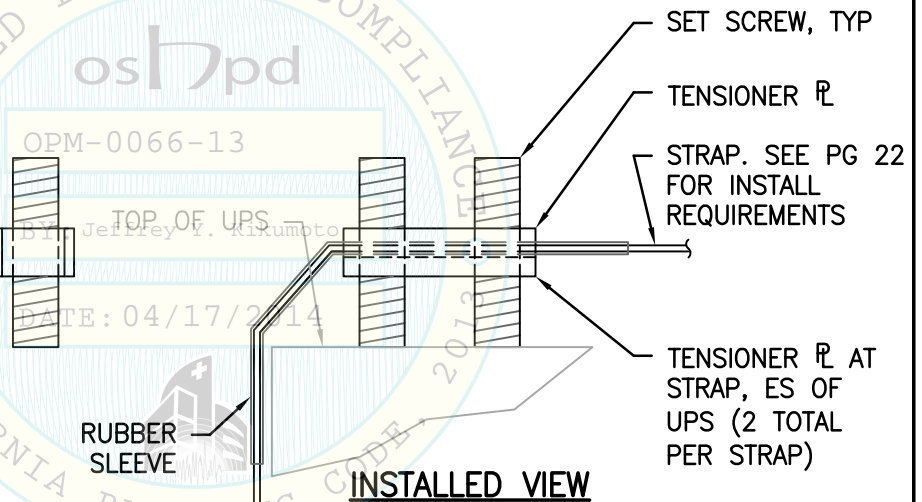
L:\Jobs\13089 Siemens - Renewal of OSP-0263-10 and OPA-2828-10\OPM-0066-13\STRU\S1.dwg Time:Apr17,2014-10:58am Login:camachom DimScale:1 L1Scale:6



PLAN VIEW



ELEV



INSTALLED VIEW

NOTES:

1. SEE PG 11 FOR INSTALLATION NOTES.
2. ALL ITEMS SHALL BE FURNISHED & INSTALLED BY SIEMENS EXCEPT AS NOTED.



**SHEET TITLE: UPS ID #2 THROUGH #11
STRAP TENSIONER DETAIL**

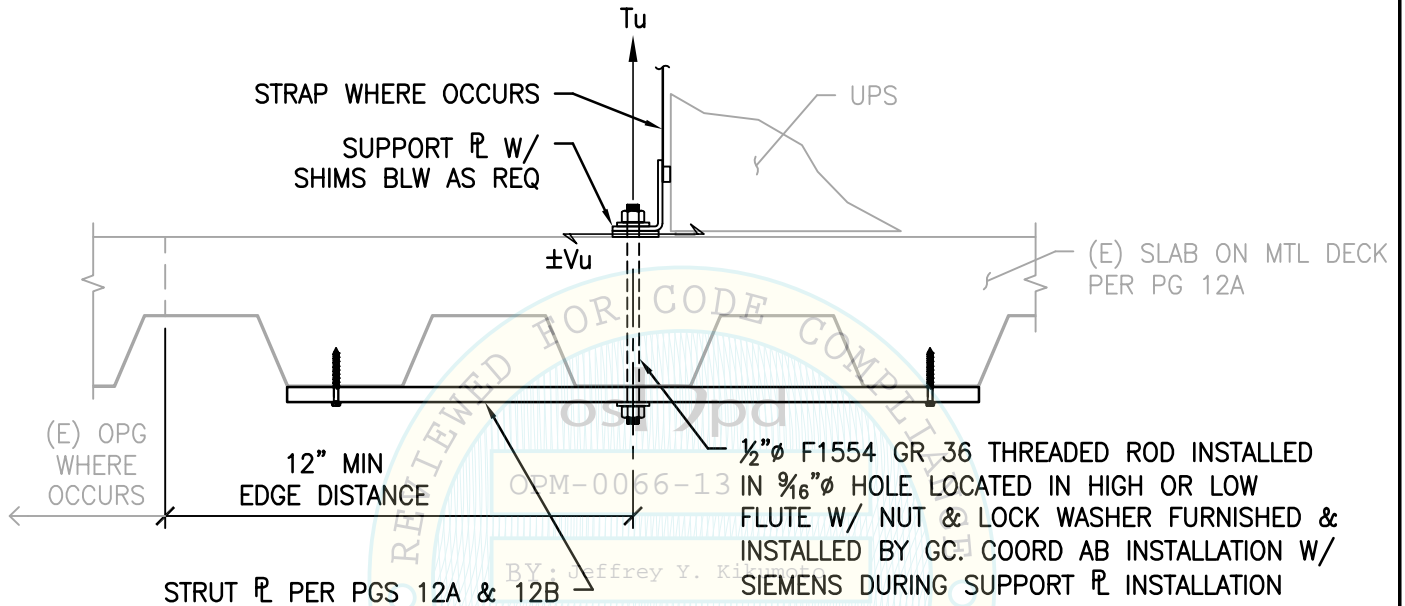


CYS STRUCTURAL ENGINEERS, INC.

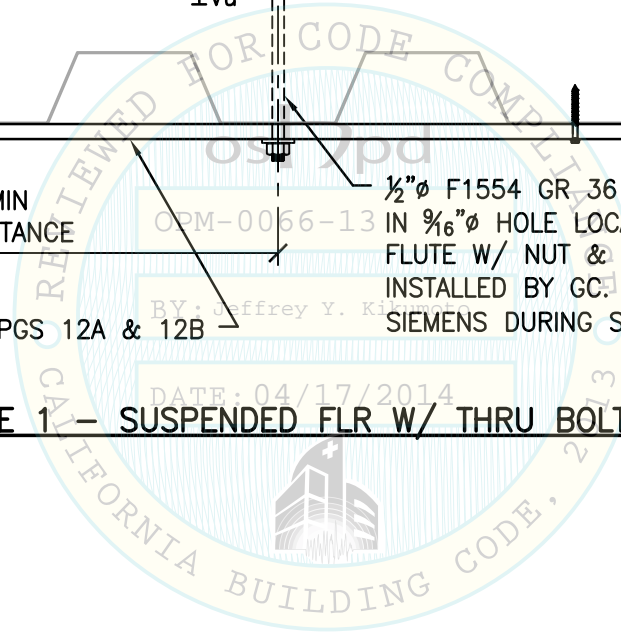
2495 NATOMAS PARK DRIVE, SUITE 650
SACRAMENTO, CA 95833

TEL (916) 920-2020
www.cyseng.com

Job No:	13089.01
Date:	4/17/2014
Page:	23 of 25



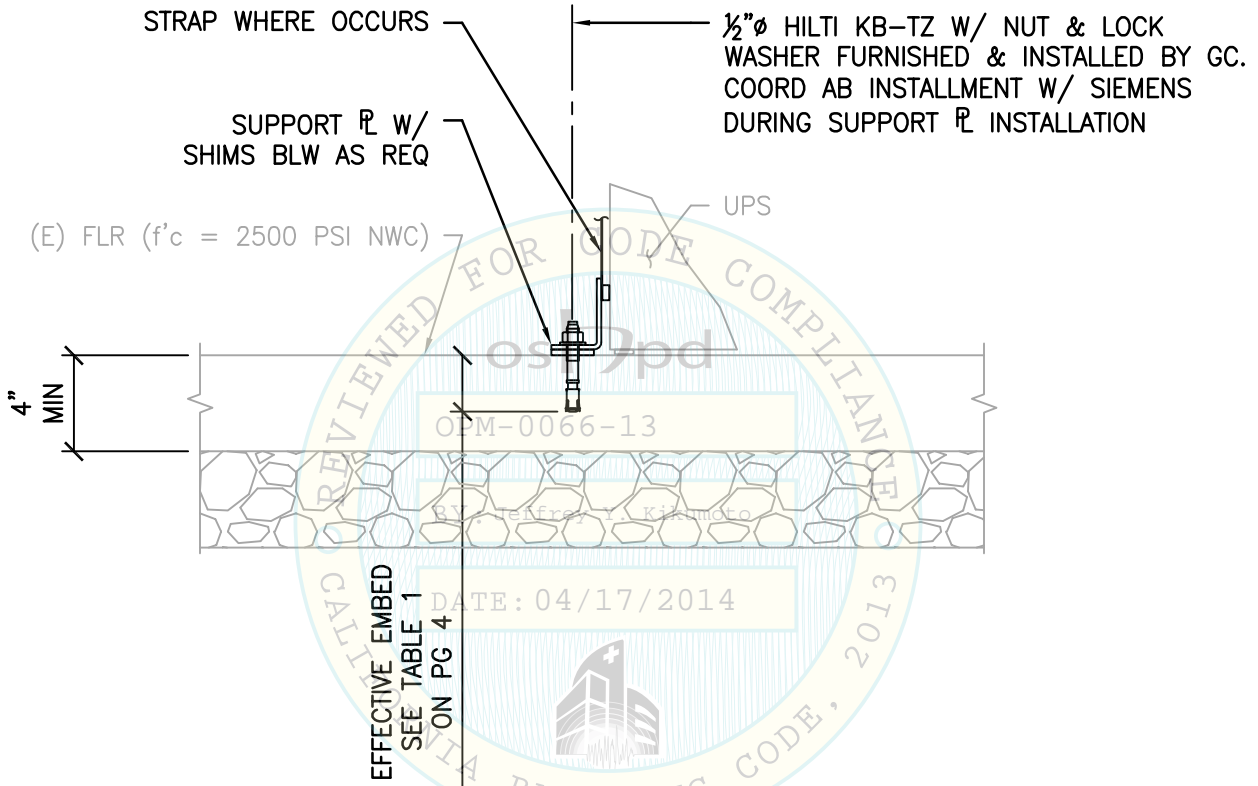
CASE 1 – SUSPENDED FLR W/ THRU BOLTS



SHEET TITLE: SUPPORT & ATTACHMENT DETAIL - CASE 1
UPPER FLOORS

<p>CYS STRUCTURAL ENGINEERS, INC. 2495 NATOMAS PARK DRIVE, SUITE 650 SACRAMENTO, CA 95833</p>	TEL (916) 920-2020 www.cyseng.com	Job No: 13089.01 Date: 4/17/2014 Page: 24 of 25
--	--------------------------------------	---

L:\Jobs\13089 Siemens - Renewal of OSP-0263-10 and OPA-2828-10\OPM-0066-13\STRU\S1.dwg Time: Apr 17, 2014 - 10:58am Login: camachom DimScale: 1 L1Scale: 6



SHEET TITLE: SUPPORT & ATTACHMENT DETAIL - CASE 2
SLAB ON GRADE



CYS STRUCTURAL ENGINEERS, INC.

2495 NATOMAS PARK DRIVE, SUITE 650
SACRAMENTO, CA 95833

TEL (916) 920-2020
www.cyseng.com

Job No:	13089.01
Date:	4/17/2014
Page:	25 of 25

L:\Jobs\13089 Siemens - Renewal of OSP-0263-10 and OPA-2828-10\OPM-0066-13\STRU\S1.dwg Time: Apr 17, 2014 10:59am Login: camachom DimScale: 1 L1Scale: 6