



**OFFICE OF STATEWIDE HEALTH PLANNING AND DEVELOPMENT  
FACILITIES DEVELOPMENT DIVISION**

**APPLICATION FOR OSHPD PREAPPROVAL  
OF MANUFACTURER'S CERTIFICATION (OPM)**

OFFICE USE ONLY	
APPLICATION #:	OPM-0253-13

**OSHPD Preapproval of Manufacturer's Certification (OPM)**

Type:  New  Renewal  Update to Pre-CBC 2013 OPA Number: \_\_\_\_\_

**Manufacturer Information**

Manufacturer: Amico Corporation

Manufacturer's Technical Representative: Paul Tilcox

Mailing Address: 85 Fulton Way, Richmond Hill, Ontario, L4B 2N4, Canada

Telephone: (905) 764-0800 Email: Ptilcox@amico.com

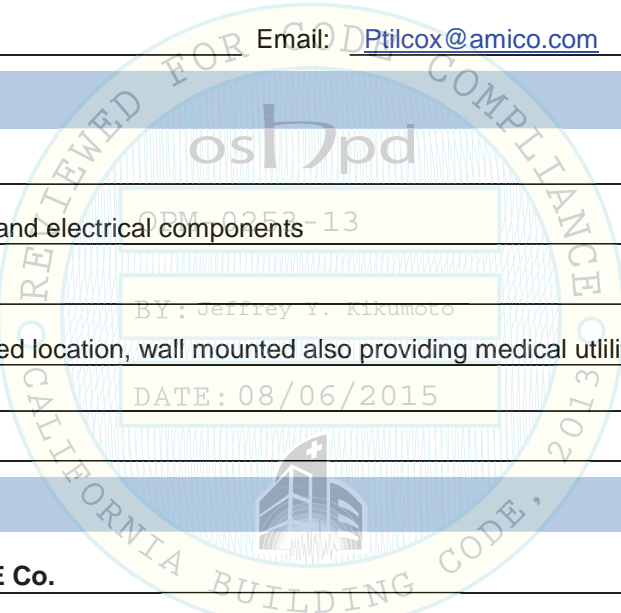
**Product Information**

Product Name: Bed Locator

Product Type: Other mechanical and electrical components

Product Model Number: N/A

General Description: Identifies bed location, wall mounted also providing medical utiliteis



**Applicant Information**

Applicant Company Name: EASE Co.

Contact Person: Jonathan Roberson, S.E.

Mailing Address: 5877 Pine Ave. Suite 210, Chino Hills, CA. 91709

Telephone: (909) 606-7622 Email: J.Roberson@EASECo.com

I hereby agree to reimburse the Office of Statewide Health Planning and Development review fees in accordance with the California Administrative Code, 2013.

Signature of Applicant: \_\_\_\_\_ Date: 8/3/15

Title: Principal Engineer Company Name: EASE Co.

"Access to Safe, Quality Healthcare Environments that Meet California's Diverse and Dynamic Needs"





# OFFICE OF STATEWIDE HEALTH PLANNING AND DEVELOPMENT FACILITIES DEVELOPMENT DIVISION

## Registered Design Professional Preparing Engineering Recommendations

Company

Name: EASE Co.

Name: Jonathan Roberson, S.E.

California License Number: S4197

Mailing Address: 5877 Pine Ave. Suite 210, Chino Hills, CA. 91709

Telephone: 909-606-7667

Email: J.Roberson@EASECo.com

## OSHDP Special Seismic Certification Preapproval (OSP)

Special Seismic Certification is preapproved under OSP-  
(Separate application for OSP is required)

Special Seismic Certification is not preapproved

### Certification Method(s)

Testing in accordance with:  ICC-ES AC156  FM 1950-10

Other\* (Please Specify): \_\_\_\_\_

\*Use of test criteria other than those adopted by the California Building Standards Code, 2013 (CBSC 2013) for component supports and attachments are not permitted. For distribution system, interior partition wall, and suspended ceiling seismic bracings, test criteria other than those adopted in the CBSC 2013 may be used when approved by OSHDP prior to testing.

Analysis

Experience Data

Combination of Testing, Analysis, and/or Experience Data (Please Specify): \_\_\_\_\_

### List of Attachments Supporting the Manufacturer's Certification

Test Report  Drawings  Calculations  Manufacturer's Catalog

Other(s) (Please Specify): \_\_\_\_\_

### OFFICE USE ONLY – OSHDP APPROVAL VALID FOR CBC 2013 ONLY

Signature:  Date: 08/06/2015

Print Name: Jeffrey Kikumoto

Title: SSE

Condition of Approval (if applicable): \_\_\_\_\_

"Access to Safe, Quality Healthcare Environments that Meet California's Diverse and Dynamic Needs"





**EQUIPMENT ANCHORAGE  
& SEISMIC ENGINEERING**

5877 Pine Ave, Ste. 210  
Chino Hills, CA. 91709  
Phn: (909) 606-7622

Office of Statewide Health Planning and Development  
**PREAPPROVAL OF MANUFACTURER'S CERTIFICATION**  
**OPM-0253-13**

THIS PREAPPROVAL CONFORMS TO THE 2013 CALIFORNIA BUILDING CODE

MANUFACTURER: **AMICO CORPORATION**  
EQUIPMENT NAME: **BED LOCATOR**

Sheet: 1 of 3  
Date: 7/30/15

GENERAL NOTES

1. THIS OSHPD PREAPPROVAL OF MANUFACTURER'S CERTIFICATION (OPM) IS BASED ON THE 2013 CBC. THE DEMANDS (DESIGN FORCES) FOR USE WITH THIS OPM SHALL BE BASED ON THE 2013 CBC
2. THIS DOCUMENT MAY ONLY BE USED WITH THE EXPRESS WRITTEN CONSENT OF THE MANUFACTURER LISTED ABOVE FOR THE SPECIFIC PROJECT SITE AND INSTALLATION LOCATION. THIS DOCUMENT IS INVALID WITHOUT SUCH CONSENT.
3. THIS PREAPPROVAL CONFORMS TO THE 2013 CALIFORNIA BUILDING CODE.
4. FORCES PER ASCE 7-10 SECTION 13.3.1, EQUATIONS 13.3-1, 13.3-2 & 13.3-3, WHERE  $S_{Ds} = 2.20$ ,  $a_p = 1.0$ ,  $I_p = 1.5$ ,  $R_p = 1.5$ ,  $z/h \leq 1$ .
5. THE DETAILS IN THIS PREAPPROVAL MAY BE USED AT ANY LOCATION IN THE STATE OF CALIFORNIA, WHERE SDS IS NOT GREATER THAN 2.20.
6. ALL DESIGN FORCES SHOWN ON THE DRAWINGS ARE FACTORED LOADS THAT SHALL BE USED FOR STRENGTH DESIGN.
7. SHEET METAL SCREWS SHALL BE TEKS SCREWS BY ITW BULDEX (ICC ESR-1976).
8. THIS PREAPPROVAL COVERS ONLY THE SUPPORTS AND ATTACHMENTS OF THE EQUIPMENT TO THE STRUCTURE.
9. RESPONSIBILITIES OF THE STRUCTURAL ENGINEER OF RECORD OF THE BUILDING
  - A. PROVIDE SUPPORTING STRUCTURE REQUIRED TO SUPPORT WEIGHTS AND FORCES SHOWN, IN ADDITION TO ALL OTHER LOADS.
  - B. VERIFY THAT THE INSTALLATION IS IN CONFORMANCE WITH THE 2013 CBC AND WITH THE DETAILS SHOWN IN THIS PREAPPROVAL. VERIFY THAT THE ACTUAL EQUIPMENT'S WEIGHT, CG LOCATION, ANCHOR LOCATIONS, ANCHOR DETAILS AND THE MATERIAL AND GAGE OF THE UNIT WHERE ATTACHMENTS ARE MADE AGREE WITH THE INFORMATION SHOWN ON THE PREAPPROVAL DOCUMENTS.
  - C. VERIFY THAT THE COMBINATION OF  $S_{Ds}$  &  $z/h$  RESULT IN SEISMIC FORCES ( $E_h$ ,  $E_v$ ) THAT ARE NOT GREATER THAN THE VALUES ON THE DETAILS.
  - D. DESIGN BACKING BARS, STUDS, ETC. WHICH THE UNITS ARE ATTACHED TO AS NOTED ON THE DRAWINGS.



## AMICO CORPORATION

## BED LOCATOR

DES. **J. ROBERSON**

JOB NO. **11-1521**

DATE **7/30/15**

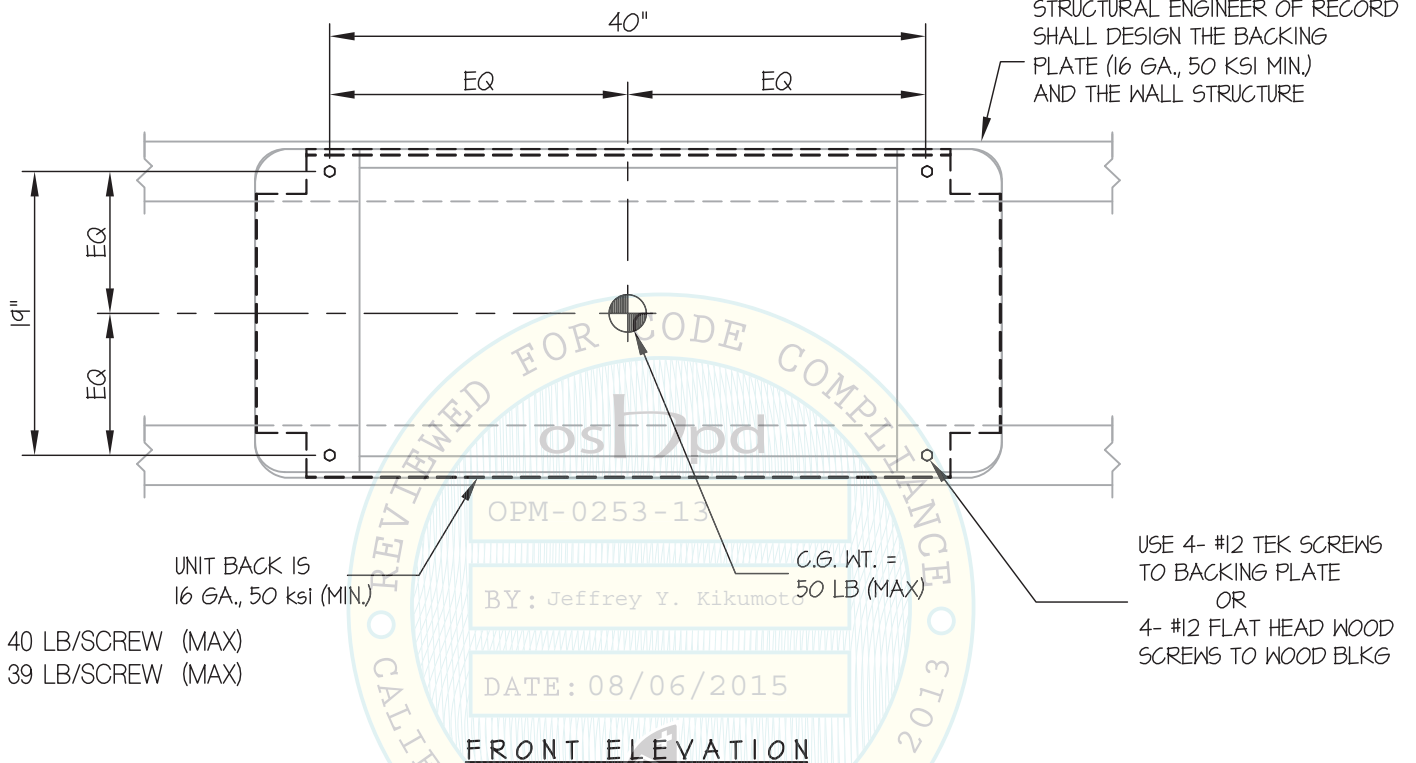
SHEET

**2**

OF **3** SHEETS

SEISMIC SUPPORTS & ATTACHMENTS

WALL MOUNTED



$T_u = 40 \text{ LB/SCREW (MAX)}$   
 $V_u = 39 \text{ LB/SCREW (MAX)}$

**NOTES:**

- FORCES ARE DETERMINED PER 2013 CALIFORNIA BUILDING CODE AND ASCE 7-10 STRENGTH DESIGN IS USED. ( $S_{ds} = 2.20$ ,  $a_p = 1.0$ ,  $I_p = 1.5$ ,  $R_p = 1.5$ ,  $z/h \leq 1$ )

HORIZONTAL FORCE ( $E_h$ ) =  $2.64 W_p$

VERTICAL FORCE ( $E_v$ ) =  $0.44 W_p$

- CENTER OF GRAVITY (C.G.) AND WEIGHT ARE THE GOVERNING PARAMETERS FOR DESIGN. THIS PREAPPROVAL ENCOMPASSES ALL WEIGHTS UP TO THE MAXIMUM WEIGHT SHOWN.
- STRUCTURAL ENGINEER OF RECORD FOR THE BUILDING SHALL PROVIDE SUPPORT STRUCTURE DESIGNED TO SUPPORT WEIGHTS AND FORCES SHOWN, IN COMBINATION WITH ALL OTHER LOADS THAT MAY BE PRESENT.
- SEE GENERAL NOTES: SHEETS 1



## AMICO CORPORATION

DES. **J. ROBERSON**

SHEET

**3**

## BED LOCATOR

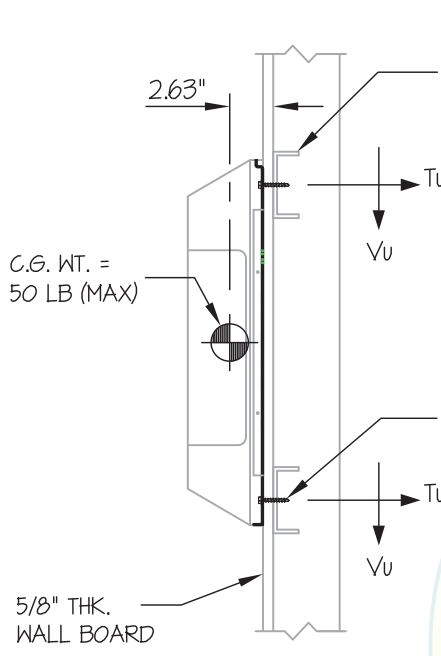
JOB NO. **11-1521**

DATE **7/30/15**

OF **3** SHEETS

### SEISMIC SUPPORTS & ATTACHMENTS

### WALL MOUNTED

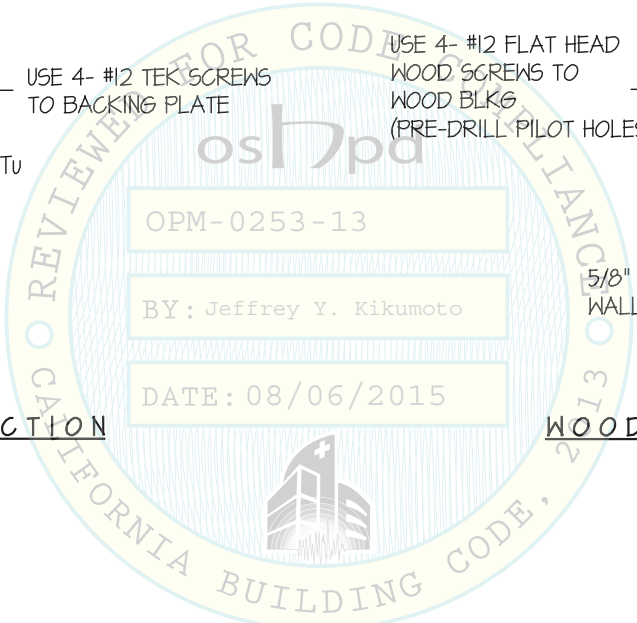
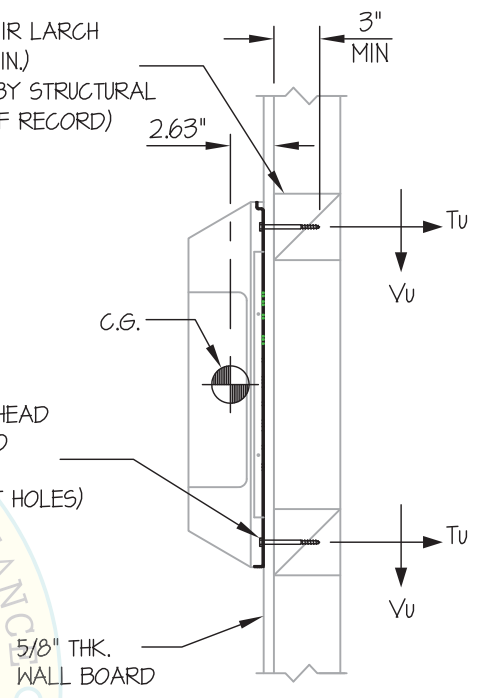


STRUCTURAL ENGINEER OF RECORD SHALL DESIGN THE BACKING PLATE (16 GA., 50 KSI MIN.) AND THE WALL STRUCTURE

USE 4- #12 TEK SCREWS TO BACKING PLATE

4 x BLKG (DOUGLAS-FIR LARCH NUMBER 2 MIN.) (DESIGNED BY STRUCTURAL ENGINEER OF RECORD)

USE 4- #12 FLAT HEAD WOOD SCREWS TO WOOD BLKG (PRE-DRILL PILOT HOLES)



STEEL STUD WALL SECTION

WOOD STUD WALL SECTION

*Jonathan Roberson*  
 REGISTERED PROFESSIONAL ENGINEER  
 JONATHAN ROBERSON  
 No. 4197  
 EXP. 6-30-2016  
 7/30/15  
 STRUCTURAL  
 STATE OF CALIFORNIA