



OFFICE OF STATEWIDE HEALTH PLANNING AND DEVELOPMENT
FACILITIES DEVELOPMENT DIVISION

APPLICATION FOR OSHPD PREAPPROVAL
OF MANUFACTURER'S CERTIFICATION (OPM)

OFFICE USE ONLY

APPLICATION #: OPM-0282-13

OSHPD Preapproval of Manufacturer's Certification (OPM)

Type: [X] New [ ] Renewal [ ] Update to Pre-CBC 2013 OPA Number:

Manufacturer Information

Manufacturer: MAC Medical Inc

Manufacturer's Technical Representative: Adam Dunn

Mailing Address: 820 South Mulberry Street

Telephone: (618) 476-3550 ext.318

Email: adunn@macmedical.com

Product Information

Product Name: In Wall Sink Carrier

Product Type: Laboratory Equipment

OPM-0282-13

Product Model Number: S0001, S0002, S0003

General Description: Wall hung sink.

DATE: 08/15/2016

Applicant Information

Applicant Company Name: CYS STRUCTURAL ENGINEERS, INC.

Contact Person: David M. Calia

Mailing Address: 2495 Natomas Park Drive, Suite 650, Sacramento, CA 95833

Telephone: 916-920-2020

Email: davidc@cyseng.com

I hereby agree to reimburse the Office of Statewide Health Planning and Development review fees in accordance with the California Administrative Code, 2013.

Signature of Applicant:

Handwritten signature of David M. Calia

Date: 11/11/2015

Title: V.P. of Business Development & Marketing

Company Name: CYS Structural Engineers, Inc.

"Access to Safe, Quality Healthcare Environments that Meet California's Diverse and Dynamic Needs"





**OFFICE OF STATEWIDE HEALTH PLANNING AND DEVELOPMENT  
FACILITIES DEVELOPMENT DIVISION**

**Registered Design Professional Preparing Engineering Recommendations**

Company Name: CYS STRUCTURAL ENGINEERS, INC.

Name: David M. Calia California License Number: S5614

Mailing Address: 2495 Natomas Park Drive, Suite 650, Sacramento, CA 95833

Telephone: 916-920-2020 Email: davidc@cyseng.com

**OSHPD Special Seismic Certification Preapproval (OSP)**

- Special Seismic Certification is preapproved under OSP-  
(Separate application for OSP is required)
- Special Seismic Certification is not preapproved

**Certification Method(s)**

- Testing in accordance with:  ICC-ES AC156  FM 1950-10
- Other\* (Please Specify): \_\_\_\_\_

\*Use of criteria other than those adopted by the California Building Standards Code, 2013 (CBSC 2013) for component supports and attachments are not permitted. For distribution system, interior partition wall, and suspended ceiling seismic bracings, test criteria other than those adopted in the CBSC 2013 may be used when approved by OSHPD prior to testing.

- Analysis
- Experience Data
- Combination of Testing, Analysis, and/or Experience Data (Please Specify): \_\_\_\_\_

**List of Attachments Supporting the Manufacturer's Certification**

- Test Report  Drawings  Calculations  Manufacturer's Catalog
- Other(s) (Please Specify): \_\_\_\_\_

**OFFICE USE ONLY – OSHPD APPROVAL VALID FOR CBC 2013 ONLY**

Signature: *Jeffrey Enzler* Date: 08-15-2016

Print Name: Jeffrey Enzler

Title: DSE

Condition of Approval (if applicable): \_\_\_\_\_

"Access to Safe, Quality Healthcare Environments that Meet California's Diverse and Dynamic Needs"



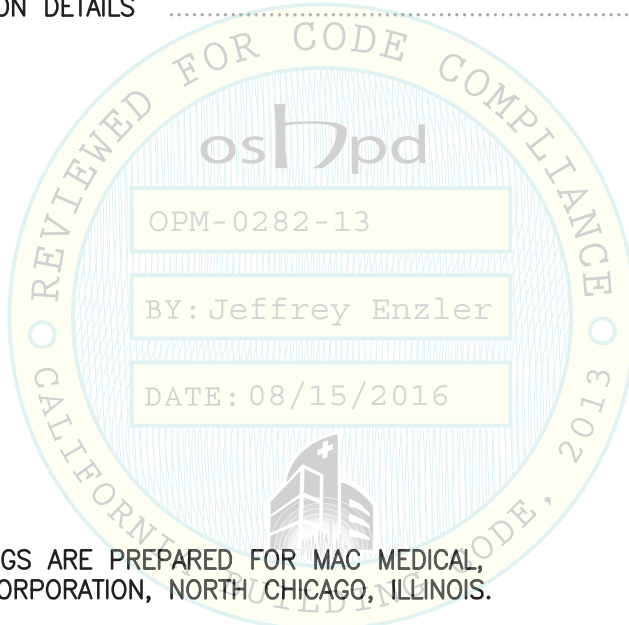
L:\Jobs15\15085 MAC Medical - Sink & Chair Rail System\ACAD\STRU\S1\_Mac Medical.dwg Time:Jul27,2016-01:55pm Login:mayerhoferm Dimscale:12 LITScale:6

MAC MEDICAL  
SURGICAL SCRUB SINK SUPPORTS & ATTACHMENTS



SCRUB SINK  
MAC MEDICAL  
OPM-0282-13

	PAGE
<b>GENERAL INFORMATION</b>	
TABLE OF CONTENTS .....	1
GENERAL NOTES .....	2
DESIGN CRITERIA .....	3
ABBREVIATIONS .....	4
<b>SCRUB SINK DIMENSION DRAWINGS</b>	
SCRUB SINK DIMENSIONS & PROPERTIES SCHEDULES .....	5-6
SINGLE SCRUB SINK .....	7-8
DOUBLE SCRUB SINK .....	9-10
TRIPLE SCRUB SINK .....	11-12
SCRUB SINK CONNECTION DETAILS .....	13-18



**NOTES:** THESE DRAWINGS ARE PREPARED FOR MAC MEDICAL, AN ILLINOIS CORPORATION, NORTH CHICAGO, ILLINOIS.

1. THE CONTRACTOR & THE INSPECTOR OF RECORD SHALL OBTAIN A COPY OF THIS PRE-APPROVAL FROM THE OSHPD WEBSITE.
2. THIS PRE-APPROVAL COVERS THE ATTACHMENTS & SUPPORTS OF THE SCRUB SINKS TO THE STRUCTURE.



NOT SEOR

SHEET TITLE: SHEET INDEX



**CYS STRUCTURAL ENGINEERS, INC.**

2495 NATOMAS PARK DRIVE, SUITE 650  
SACRAMENTO, CA 95833

TEL (916) 920-2020  
www.cyseng.com

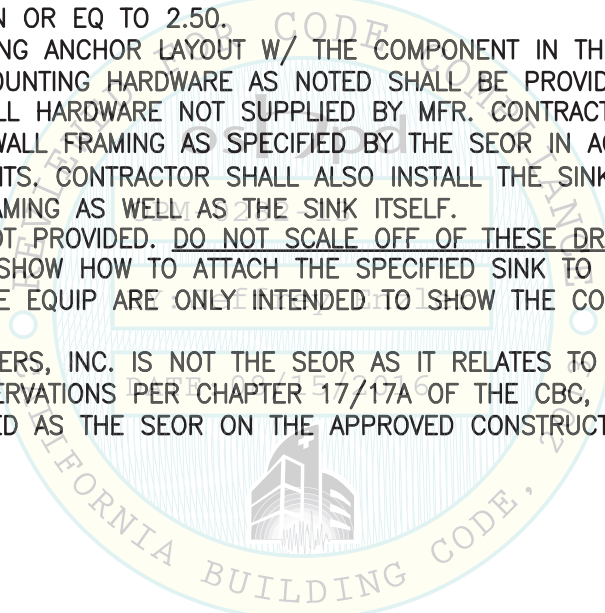
Job No:	15085
Date:	05/24/2016
Page:	1 of 18


MAC MEDICAL  
SURGICAL SCRUB SINK SUPPORTS & ATTACHMENTS



**GENERAL NOTES:**

1. THIS OSHPD PRE-APPROVAL OF MFR'S CERTIFICATION (OPM) IS BASED ON THE CBC 2013. THE DEMAND (DESIGN FORCES) FOR USE W/ THIS OPM SHALL BE BASED ON THE CBC 2013.
2. THIS OPM PROVIDES SUPPORTS & ATTACHMENT DESIGN & INFORMATION FOR INCORPORATION INTO A CONSTRUCTION DOCUMENT SUBMITTAL TO BE PREPARED BY A REGISTERED DESIGN PROFESSIONAL APPROPRIATELY LICENSED TO DO SO IN THE STATE OF CALIFORNIA & WHOM SHALL FURNISH THE SUBMITTAL TO THE CODE-ENFORCEMENT OFFICIAL FOR APPROVAL & PERMITTING PRIOR TO THE COMMENCEMENT OF CONSTRUCTION.
3. IT IS THE RESPONSIBILITY OF THE SEOR FOR A SITE SPECIFIC PROJECT TO VERIFY:
  - A. THE ADEQUACY OF THE NEW OR EXISTING STRUCTURE TO RESIST THE FORCES & WT SPECIFIED FOR EA COMPONENT IN ADDITION TO ALL OTHER LOADS. PROVIDE & DESIGN SUPPLEMENTARY MEMBERS AS REQ.
  - B. THAT THE INSTALLATION IS IN CONFORMANCE W/ THE 2013 CBC & W/ THE DTLS SHOWN IN THIS PRE-APPROVAL.
  - C. THAT THE SINK'S WT, CG LOCATION & ATTACHMENT HT TO THE MTL STUD WALL FRAMING AGREE W/ THE INFORMATION SHOWN ON THE PRE-APPROVAL DOCUMENTS.
4. THIS PRE-APPROVAL MAY BE USED AT ANY GEOGRAPHICAL LOCATION IN THE STATE OF CALIFORNIA. WHERE  $S_{DS}$  IS LESS THAN OR EQ TO 2.50.
5. COORDINATE THE MOUNTING ANCHOR LAYOUT W/ THE COMPONENT IN THE FIELD.
6. SINK COMPONENTS & MOUNTING HARDWARE AS NOTED SHALL BE PROVIDED BY MFR. CONTRACTOR SHALL FURNISH & INSTALL HARDWARE NOT SUPPLIED BY MFR. CONTRACTOR SHALL FURNISH & INSTALL THE MTL STUD WALL FRAMING AS SPECIFIED BY THE SEOR IN ACCORDANCE W/ THESE PRE-APPROVAL DOCUMENTS. CONTRACTOR SHALL ALSO INSTALL THE SINK'S MOUNTING HARDWARE TO THE MTL STUD WALL FRAMING AS WELL AS THE SINK ITSELF.
7. DRAWING SCALES ARE NOT PROVIDED. DO NOT SCALE OFF OF THESE DRAWINGS. THE INTENT OF THESE DRAWINGS IS TO SHOW HOW TO ATTACH THE SPECIFIED SINK TO THE WALL STRUCTURE. THE REPRESENTATIONS OF THE EQUIP ARE ONLY INTENDED TO SHOW THE COORDINATION W/ THE ATTACHMENTS.
8. CYS STRUCTURAL ENGINEERS, INC. IS NOT THE SEOR AS IT RELATES TO VERIFICATION OF SITE CONDITIONS & REQ OBSERVATIONS PER CHAPTER 17/17A OF THE CBC, UNLESS CYS STRUCTURAL ENGINEERS, INC. IS LISTED AS THE SEOR ON THE APPROVED CONSTRUCTION DOCUMENTS.



  
*David M. Galia*  
 NOT SEOR

SHEET TITLE: GENERAL NOTES

	<b>CYS STRUCTURAL ENGINEERS, INC.</b>	Job No:	15085
	2495 NATOMAS PARK DRIVE, SUITE 650	Date:	05/24/2016
	SACRAMENTO, CA 95833	Page:	2 of 18

L:\Jobs15\15085 MAC Medical - Sink & Chair Rail System\ACAD\STRU\S1\_Mac Medical.dwg Time:Jul27,2016-01:56pm Login:mayerhoferm DimScale:12 LTScale:6

L:\Jobs\15085 MAC Medical - Sink & Chair Rail System\ACAD\STRU\S1\_Mac Medical.dwg Time:Jul27,2016-01:56pm Login:mayerhoferm DimScale:12 LITScale:6

MAC MEDICAL  
SURGICAL SCRUB SINK SUPPORTS & ATTACHMENTS



**DESIGN CRITERIA**

SUPPORTS & ATTACHMENTS DESIGN FOR ALL EQUIP COMPONENTS IS PER 2013 CBC

ALL EQUIP (UNO)

ASCE 7-10 TABLE 13.5-1  
OTHER RIGID COMPONENTS - LOW  
DEFORMABILITY MATERIALS & ATTACHMENTS

$z/h \leq 1.0$

$S_{DS} = 2.5$

$I_p = 1.5$

$\alpha_p = 1.0$

$R_p = 1.5$

$\Omega_b = 1.5$

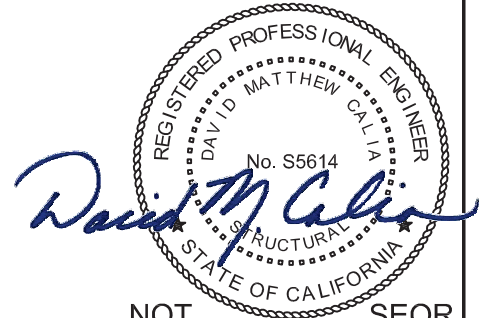
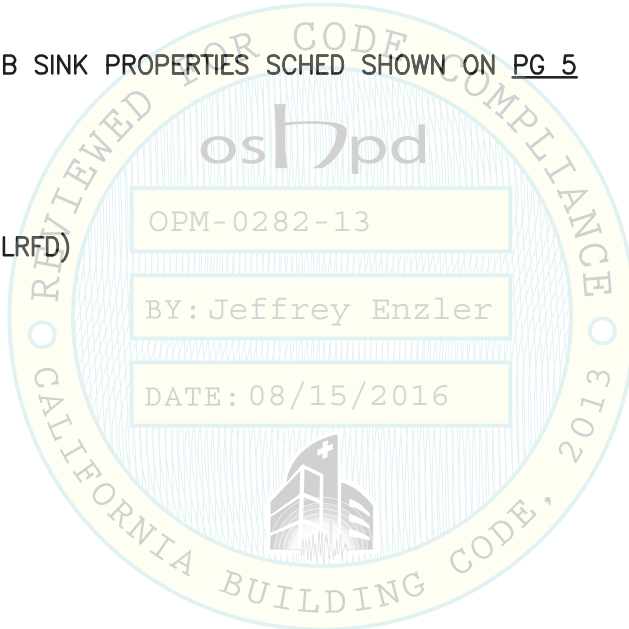
$W_p$  AS NOTED ON SCRUB SINK PROPERTIES SCHED SHOWN ON PG 5

SEISMIC LOADS

ALL EQUIP, UNO

$F_p = 3.0 W_p$  (LRFD)

$F_v = 0.50 W_p$



NOT SEOR

SHEET TITLE: DESIGN CRITERIA



**CYS STRUCTURAL ENGINEERS, INC.**

2495 NATOMAS PARK DRIVE, SUITE 650  
SACRAMENTO, CA 95833

TEL (916) 920-2020  
www.cyseng.com

Job No:	15085
Date:	05/24/2016
Page:	3 of 18

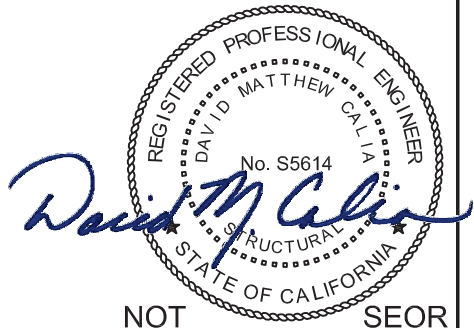
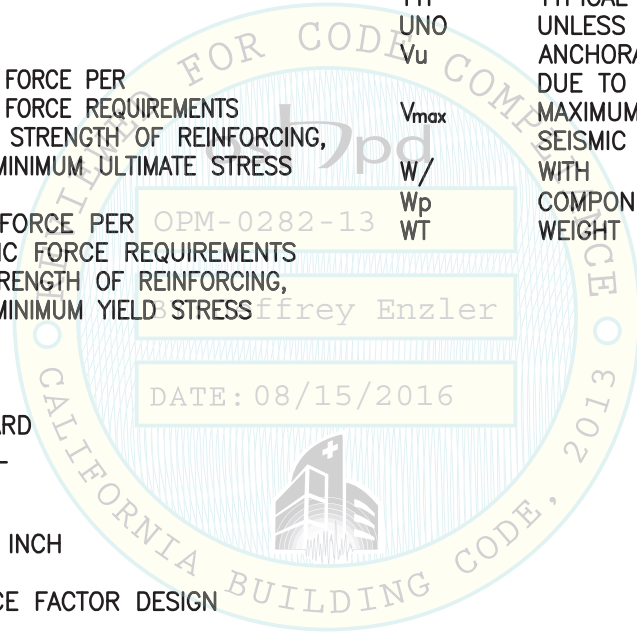
L:\Jobs15\15085 MAC Medical - Sink & Chair Rail System\ACAD\STRU\S1\_Mac Medical.dwg Time:Jul27,2016-01:56pm Login:mayerhoferm DimScale:12 LScale:6

MAC MEDICAL  
SURGICAL SCRUB SINK SUPPORTS & ATTACHMENTS



**ABBREVIATIONS:**

ASCE	AMERICAN SOCIETY OF CIVIL ENGINEERS	OPM	OSHPD PRE-APPROVAL OF MANUFACTURER'S CERTIFICATION
ASME	AMERICAN SOCIETY OF MECHANICAL ENGINEERS	OPP	OPPOSITE
ASTM	AMERICAN SOCIETY FOR TESTING & MATERIALS	OSHPD	OFFICE OF STATEWIDE HEALTH PLANNING & DEVELOPMENT
BOTT	BOTTOM	PG	PAGE
BTW	BETWEEN	PL	PLATE
CBC	CALIFORNIA BUILDING CODE	REQ	REQUIRED
CG	CENTER OF GRAVITY	SCHED	SCHEDULE
CLR	CLEAR OR CLEARANCE	SDST	SELF-DRILLING SELF-TAPPING
CL	CENTERLINE	SEOR	STRUCTURAL ENGINEER OF RECORD
CONN	CONNECTION	SMS	SHEET METAL SCREW
DIA (∅)	DIAMETER	SQ	SQUARE
DIM	DIMENSION	SS	STAINLESS STEEL
DTL	DETAIL	THK	THICK OR THICKNESS
EA	EACH	Tu	ANCHORAGE TENSION REACTION DUE TO SEISMIC FORCE
ELEV	ELEVATION	TYP	TYPICAL
EQ	EQUAL	UNO	UNLESS NOTED OTHERWISE
EQUIP	EQUIPMENT	Vu	ANCHORAGE SHEAR REACTION DUE TO SEISMIC FORCE
ES	EACH SIDE	Vmax	MAXIMUM SHEAR DUE TO SEISMIC FORCE
FF	FINISHED FLOOR	W/	WITH
Fp	HORIZONTAL SEISMIC FORCE PER ASCE 7-10 SEISMIC FORCE REQUIREMENTS	Wp	COMPONENT OPERATING-WEIGHT
Fu	SPECIFIED ULTIMATE STRENGTH OF REINFORCING, PSI OR SPECIFIED MINIMUM ULTIMATE STRESS OF STEEL, KSI	WT	WEIGHT
Fv	VERTICAL SEISMIC FORCE PER ASCE 7-10 SEISMIC FORCE REQUIREMENTS		
Fy	SPECIFIED YIELD STRENGTH OF REINFORCING, PSI OR SPECIFIED MINIMUM YIELD STRESS OF STEEL, KSI		
GA	GAUGE		
GAL	GALLON		
GWB	GYPSON WALL BOARD		
HRS	HOT-ROLLED STEEL		
HT	HEIGHT		
IN (")	INCH		
KSI	KIPS PER SQUARE INCH		
LBS	POUNDS		
LRFD	LOAD & RESISTANCE FACTOR DESIGN		
MAX	MAXIMUM		
MFR	MANUFACTURER		
MIN	MINIMUM		
MTL	METAL		
NTS	NOT TO SCALE		
NO.(#)	NUMBER OR POUND(S)		



NOT SEOR

SHEET TITLE: ABBREVIATIONS

<p><b>CYS STRUCTURAL ENGINEERS, INC.</b> 2495 NATOMAS PARK DRIVE, SUITE 650 SACRAMENTO, CA 95833</p>	TEL (916) 920-2020	Job No: 15085
	www.cyseng.com	Date: 05/24/2016
		Page: 4 of 18

MAC MEDICAL  
SURGICAL SCRUB SINK SUPPORTS & ATTACHMENTS



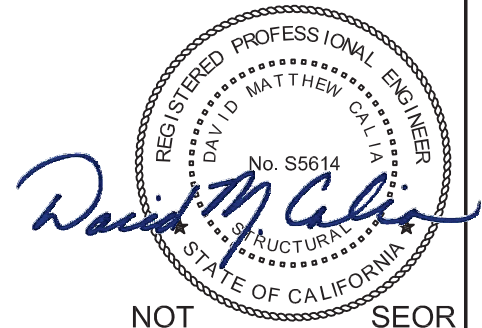
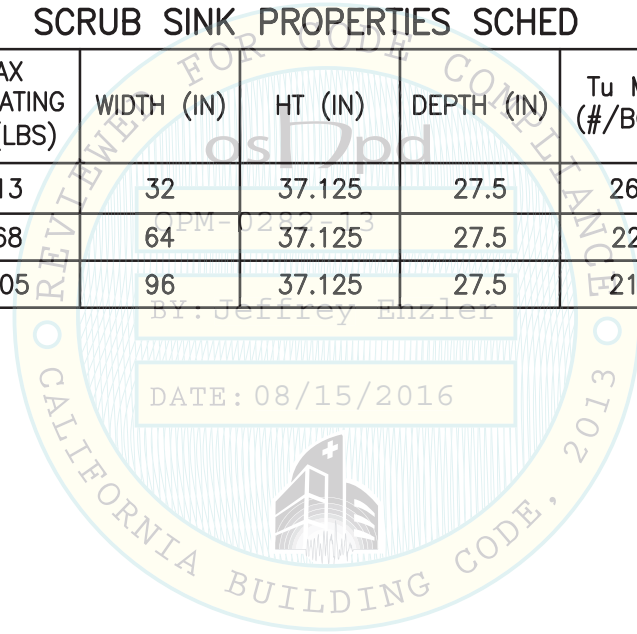
SCRUB SINK DIMENSIONS SCHED

PART NO.	"A" (IN)	"B" (IN)	"C" (IN)	"D" (IN)	"E" (IN)	"F" (IN)	"G" (IN)	"H" (IN)	"J" (IN)	"K" (IN)	"L" (IN)	"M" (IN)	"N" (IN)	"P" (IN)	"Q" (IN)
SS32	14.9	18.7	11.6	3.5	15.63	2.5	11.88	14.13	14.0	17.63	15.63	-	-	-	-
SS64	32.0	22.0	12.2	3.5	15.63	2.5	27.88	30.13	29.88	2.88	1.0	31.5	33.5	-	-
SS96	48.0	19.0	12.3	3.5	15.63	2.5	43.88	46.13	45.88	18.88	13.5	47.5	49.5	15.13	17.13

DIMS SHOWN IN SHADED CELLS INDICATE THE LOCATION OF THE SINK'S CG FILLED W/ WATER.

SCRUB SINK PROPERTIES SCHED

PART NO.	UNIT WT (LBS)	MAX OPERATING WT (LBS)	WIDTH (IN)	HT (IN)	DEPTH (IN)	T <sub>u</sub> MAX (#/BOLT)	V <sub>u</sub> MAX (#/BOLT)	CAPACITY (GAL)
SS32	235	413	32	37.125	27.5	260	271	21.02
SS64	313	668	64	37.125	27.5	221	279	42.04
SS96	436	1005	96	37.125	27.5	212	290	67.5



NOT SEOR

SHEET TITLE: SCRUB SINK DIMENSIONS & PROPERTIES SCHEDULES



CYS STRUCTURAL ENGINEERS, INC.

2495 NATOMAS PARK DRIVE, SUITE 650  
SACRAMENTO, CA 95833

TEL (916) 920-2020  
www.cyseng.com

Job No:	15085
Date:	05/24/2016
Page:	5 of 18

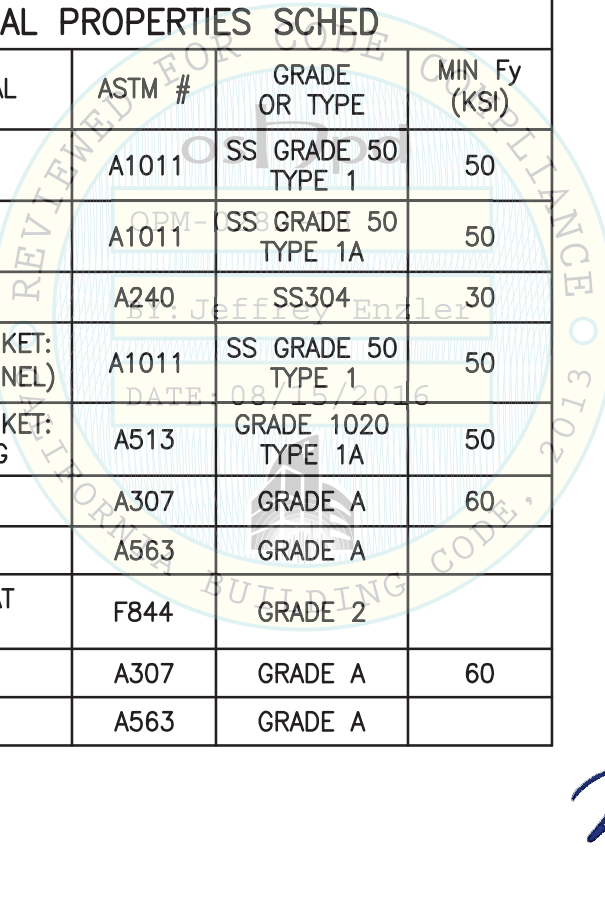
L:\Jobs15\15085 MAC Medical - Sink & Chair Rail System\ACAD\STRU\S1\_Mac Medical.dwg Time:Jul27,2016-01:56pm Login:mayerhoferm DimScale:12 LTScale:6

MAC MEDICAL  
SURGICAL SCRUB SINK SUPPORTS & ATTACHMENTS



MATERIAL DIMENSIONS SCHED				
PART NO./ MATERIAL	WIDTH (IN)	LENGTH (IN)		
		SS32	SS64	SS96
TOP CARRIER $\mathcal{R}$	2	36.5	68.25	100.25
BOTT CARRIER $\mathcal{R}$	5	36.5	68.25	100.25
"Z" BRACKET	1.92	29	28	28

MATERIAL PROPERTIES SCHED			
PART NO./MATERIAL	ASTM #	GRADE OR TYPE	MIN Fy (KSI)
TOP CARRIER $\mathcal{R}$	A1011	SS GRADE 50 TYPE 1	50
BOTT CARRIER $\mathcal{R}$	A1011	SS GRADE 50 TYPE 1A	50
"Z" BRACKET	A240	SS304	30
MAIN SUPPORT BRACKET: 11 GA HRS (U CHANNEL)	A1011	SS GRADE 50 TYPE 1	50
MAIN SUPPORT BRACKET: 16 GA SQ TUBING	A513	GRADE 1020 TYPE 1A	50
$\frac{1}{4}$ " $\phi$ BOLT	A307	GRADE A	60
$\frac{1}{4}$ " $\phi$ NUT	A563	GRADE A	
1" $\phi$ OVERSIZE FLAT WASHER	F844	GRADE 2	
$\frac{3}{8}$ " $\phi$ BOLT	A307	GRADE A	60
$\frac{3}{8}$ " $\phi$ NUT	A563	GRADE A	



NOT SEOR

SHEET TITLE: MATERIAL DIMENSIONS & PROPERTIES SCHEDULES



**CYS STRUCTURAL ENGINEERS, INC.**

2495 NATOMAS PARK DRIVE, SUITE 650  
SACRAMENTO, CA 95833

TEL (916) 920-2020  
www.cyseng.com

Job No:	15085
Date:	05/24/2016
Page:	6 of 18

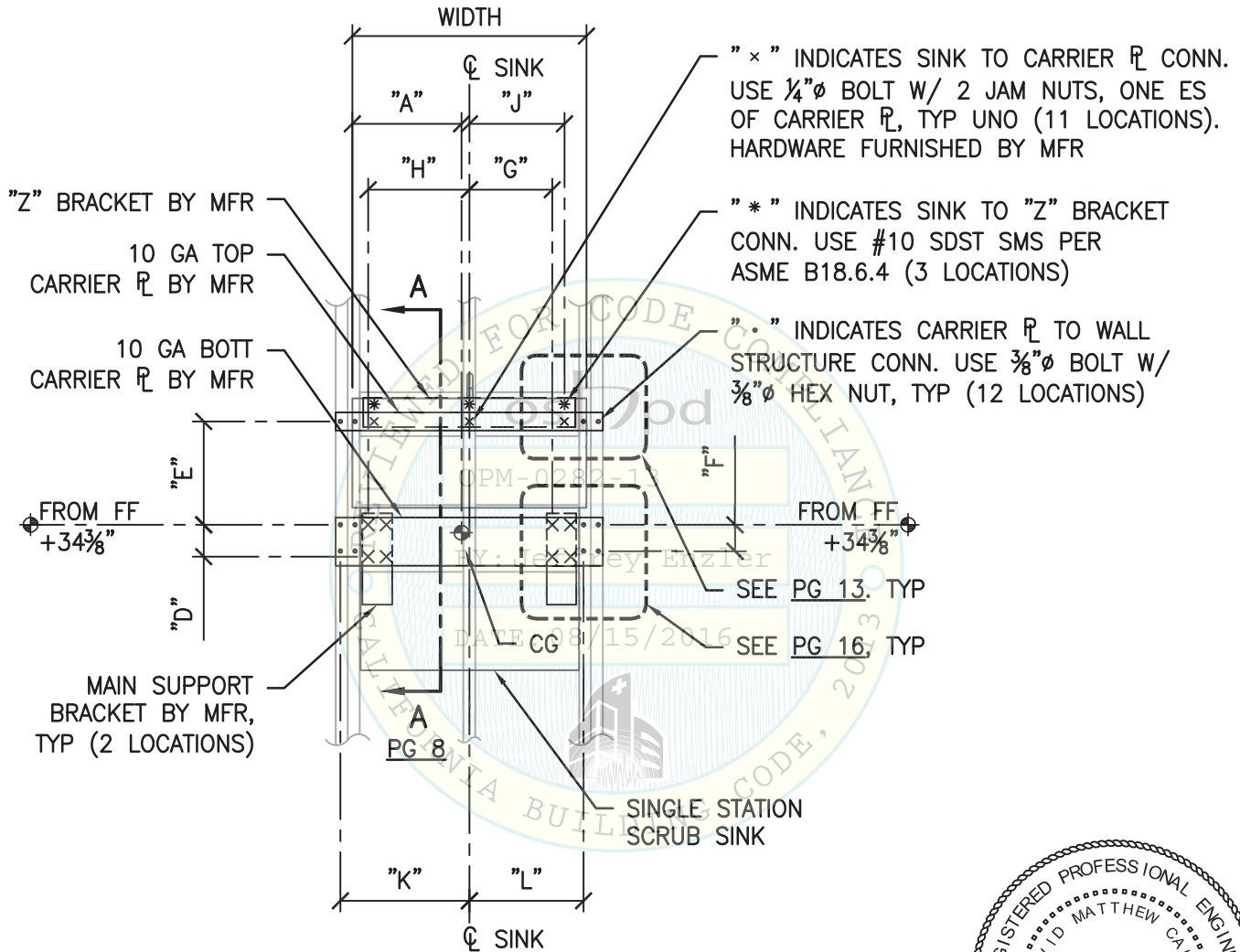
L:\Jobs15\15085 MAC Medical - Sink & Chair Rail System\ACAD\STRU\S1\_Mac Medical.dwg Time:Jul27,2016-01:56pm Login:mayerhoferm Dimscale:12 LTSscale:6



MAC MEDICAL  
SURGICAL SCRUB SINK SUPPORTS & ATTACHMENTS



**NOTE:**  
SEE SCHED ON PG 5 FOR DIMS.



**SINGLE STATION SCRUB SINK  
BACK ELEV**

REGISTERED PROFESSIONAL ENGINEER  
DAVID M. CALIA  
No. S5614  
STRUCTURAL  
STATE OF CALIFORNIA

*David M. Calia*

NOT SEOR

SHEET TITLE: SINK MODEL SS32  
SINGLE STATION SCRUB SINK - DIMENSION DRAWING



**CYS STRUCTURAL ENGINEERS, INC.**

2495 NATOMAS PARK DRIVE, SUITE 650  
SACRAMENTO, CA 95833

TEL (916) 920-2020  
www.cyseng.com

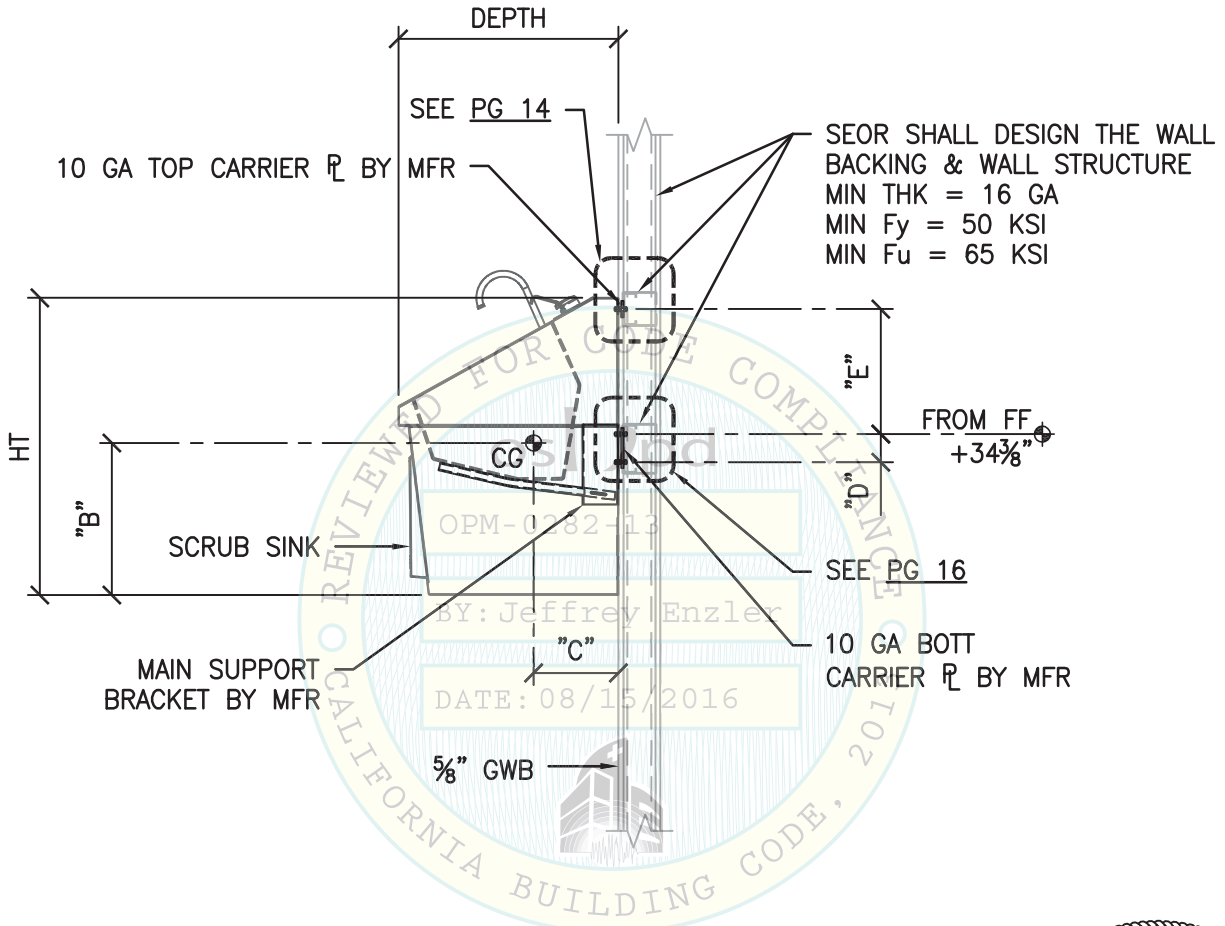
Job No:	15085
Date:	05/24/2016
Page:	7 of 18

L:\Jobs15\15085 MAC Medical - Sink & Chair Rail System\ACAD\STRU\S1\_Mac Medical.dwg Time:Jul27,2016-01:57pm Login:mayerhoferm DimScale:12 LTScale:6

MAC MEDICAL  
SURGICAL SCRUB SINK SUPPORTS & ATTACHMENTS



**NOTE:**  
SEE SCHED ON PG 5 FOR DIMS.



**SINGLE STATION SCRUB SINK  
SECTION A-A**

REGISTERED PROFESSIONAL ENGINEER  
DAVID MATTHEW CALIA  
No. S5614  
STRUCTURAL  
STATE OF CALIFORNIA

*David M. Calia*

NOT SEOR

SHEET TITLE: SINK MODEL SS32  
SINGLE STATION SCRUB SINK - DIMENSION DRAWING



**CYS STRUCTURAL ENGINEERS, INC.**

2495 NATOMAS PARK DRIVE, SUITE 650  
SACRAMENTO, CA 95833

TEL (916) 920-2020  
www.cyseng.com

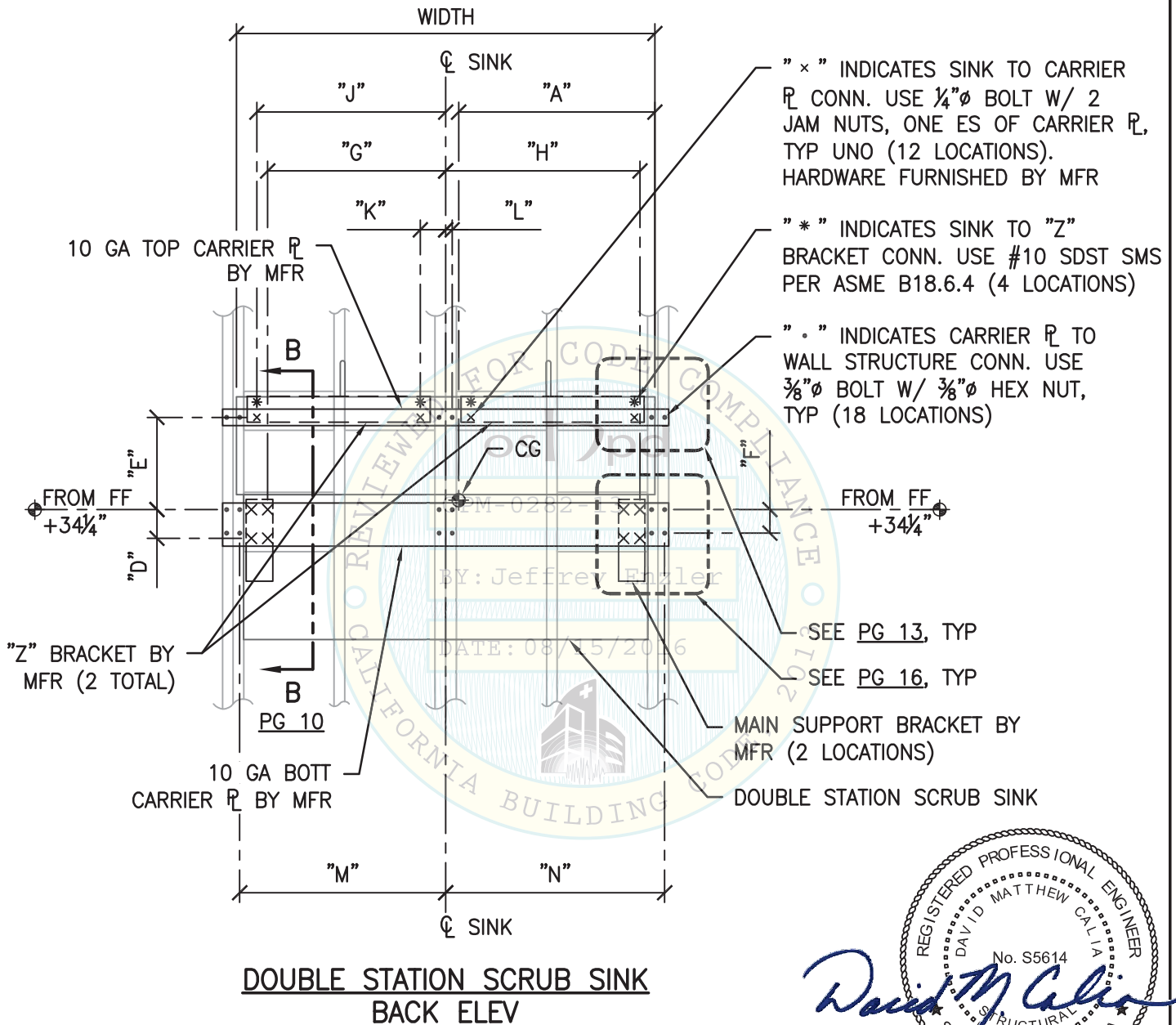
Job No:	15085
Date:	05/24/2016
Page:	8 of 18

L:\Jobs15\15085 MAC Medical - Sink & Chair Rail System\ACAD\STRU\S1\_Mac Medical.dwg Time:Jul27,2016-01:57pm Login:mayerhoferm Dimscale:12 LScale:6

MAC MEDICAL  
SURGICAL SCRUB SINK SUPPORTS & ATTACHMENTS



**NOTE:**  
SEE SCHED ON PG 5 FOR DIMS.



" x " INDICATES SINK TO CARRIER  
PL CONN. USE 1/4" Ø BOLT W/ 2  
JAM NUTS, ONE ES OF CARRIER PL,  
TYP UNO (12 LOCATIONS).  
HARDWARE FURNISHED BY MFR

" \* " INDICATES SINK TO "Z"  
BRACKET CONN. USE #10 SDST SMS  
PER ASME B18.6.4 (4 LOCATIONS)

" . " INDICATES CARRIER PL TO  
WALL STRUCTURE CONN. USE  
3/8" Ø BOLT W/ 3/8" Ø HEX NUT,  
TYP (18 LOCATIONS)

SEE PG 13, TYP  
SEE PG 16, TYP

NOT SEOR

SHEET TITLE: SINK MODEL SS64  
DOUBLE STATION SCRUB SINK - DIMENSION DRAWING

**CYS STRUCTURAL ENGINEERS, INC.**  
2495 NATOMAS PARK DRIVE, SUITE 650  
SACRAMENTO, CA 95833  
TEL (916) 920-2020  
www.cyseng.com

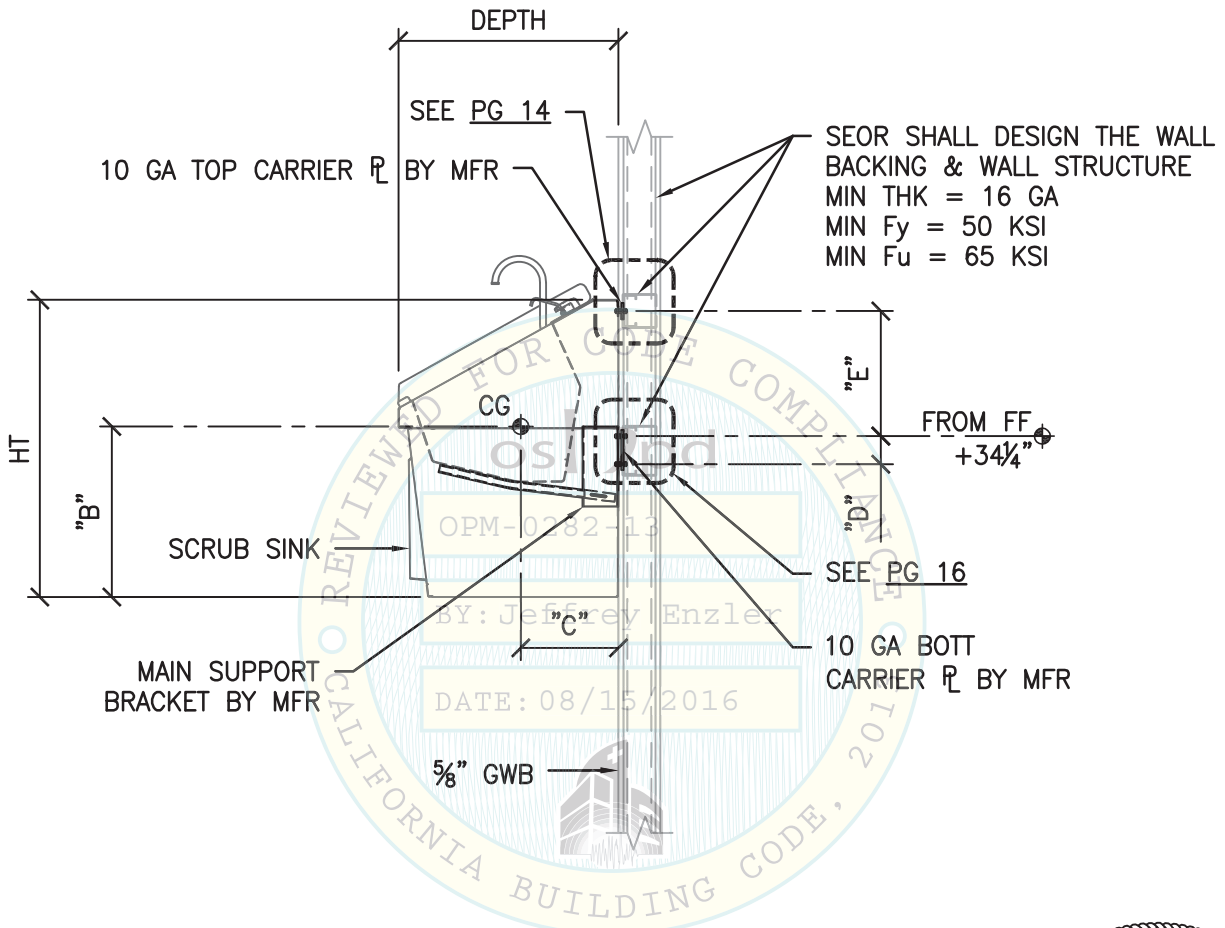
Job No: 15085  
Date: 05/24/2016  
Page: 9 of 18

L:\Jobs15\15085 MAC Medical - Sink & Chair Rail System\ACAD\STRU\S1\_Mac Medical.dwg Time: Jul 27, 2016 - 01:57pm Login: mayerhoferm DimScale: 12 LScale: 6

MAC MEDICAL  
SURGICAL SCRUB SINK SUPPORTS & ATTACHMENTS



**NOTE:**  
SEE SCHED ON PG 5 FOR DIMS.



**DOUBLE STATION SCRUB SINK  
SECTION B-B**

REGISTERED PROFESSIONAL ENGINEER  
DAVID M. CALIA  
No. S5614  
STRUCTURAL  
STATE OF CALIFORNIA

*David M. Calia*

NOT SEOR

SHEET TITLE: SINK MODEL SS64  
DOUBLE STATION SCRUB SINK - DIMENSION DRAWING



**CYS STRUCTURAL ENGINEERS, INC.**

2495 NATOMAS PARK DRIVE, SUITE 650  
SACRAMENTO, CA 95833

TEL (916) 920-2020  
www.cyseng.com

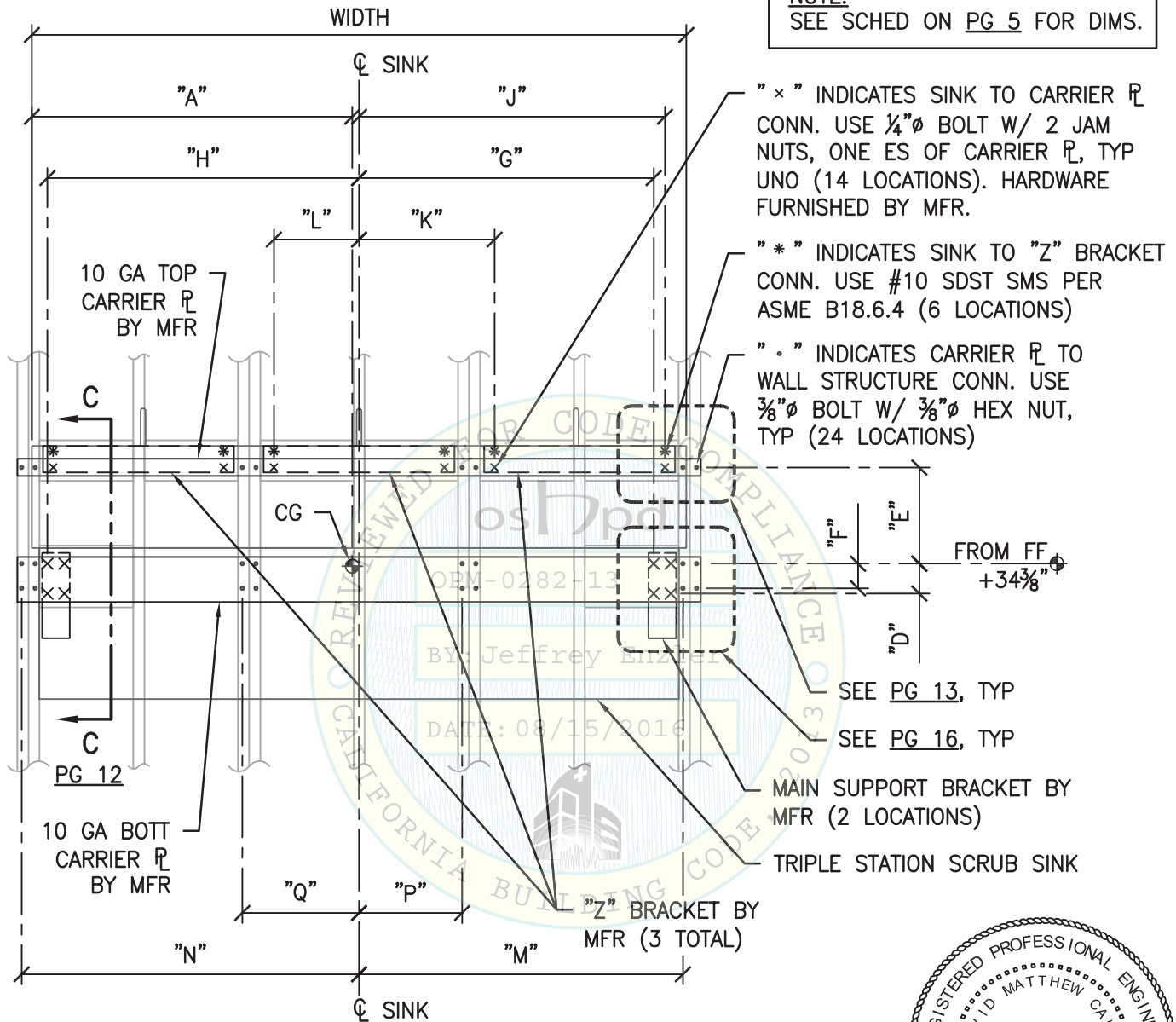
Job No:	15085
Date:	05/24/2016
Page:	10 of 18

L:\Jobs\15085 MAC Medical - Sink & Chair Rail System\ACAD\STRU\S1\_Mac Medical.dwg Time:Jul27,2016-01:57pm Login:mayerhoferm Dimscale:12 L1Scale:6

MAC MEDICAL  
SURGICAL SCRUB SINK SUPPORTS & ATTACHMENTS



**NOTE:**  
SEE SCHED ON PG 5 FOR DIMS.



" x " INDICATES SINK TO CARRIER PL  
CONN. USE 1/4" Ø BOLT W/ 2 JAM  
NUTS, ONE ES OF CARRIER PL, TYP  
UNO (14 LOCATIONS). HARDWARE  
FURNISHED BY MFR.

" \* " INDICATES SINK TO "Z" BRACKET  
CONN. USE #10 SDST SMS PER  
ASME B18.6.4 (6 LOCATIONS)

" . " INDICATES CARRIER PL TO  
WALL STRUCTURE CONN. USE  
3/8" Ø BOLT W/ 3/8" Ø HEX NUT,  
TYP (24 LOCATIONS)

SEE PG 13, TYP

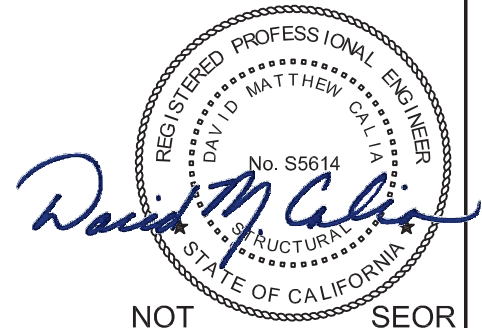
SEE PG 16, TYP

MAIN SUPPORT BRACKET BY  
MFR (2 LOCATIONS)

TRIPLE STATION SCRUB SINK

"Z" BRACKET BY  
MFR (3 TOTAL)

**TRIPLE STATION SCRUB SINK  
BACK ELEV**



NOT SEOR

SHEET TITLE: SINK MODEL SS96  
TRIPLE STATION SCRUB SINK - DIMENSION DRAWING



**CYS STRUCTURAL ENGINEERS, INC.**  
2495 NATOMAS PARK DRIVE, SUITE 650  
SACRAMENTO, CA 95833  
TEL (916) 920-2020  
www.cyseng.com

Job No:	15085
Date:	05/24/2016
Page:	11 of 18

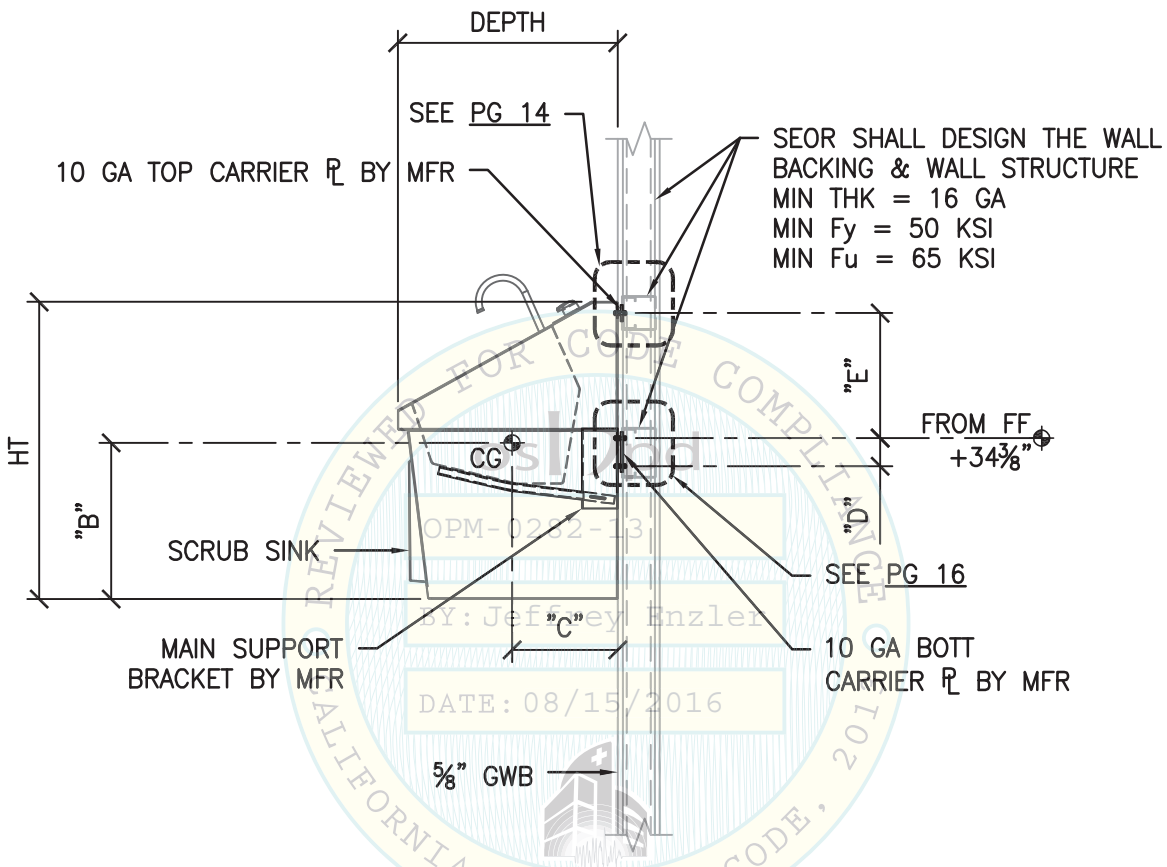
L:\Jobs15\15085 MAC Medical - Sink & Chair Rail System\ACAD\STRU\S1\_Mac Medical.dwg Time: Jul 27, 2016 - 01:58pm Login: mayrhoferm DimScale: 12 LTScale: 6

L:\Jobs15\15085 MAC Medical - Sink & Chair Rail System\ACAD\STRU\S1\_Mac Medical.dwg Time:Jul27,2016-01:58pm Login:mayerhoferm Dimscale:12 LScale:6

MAC MEDICAL  
SURGICAL SCRUB SINK SUPPORTS & ATTACHMENTS



**NOTE:**  
SEE SCHED ON PG 5 FOR DIMS.



**TRIPLE STATION SCRUB SINK  
SECTION C-C**

REGISTERED PROFESSIONAL ENGINEER  
DAVID MATTHEW CALIA  
No. S5614  
*David M. Calia*  
STRUCTURAL  
STATE OF CALIFORNIA

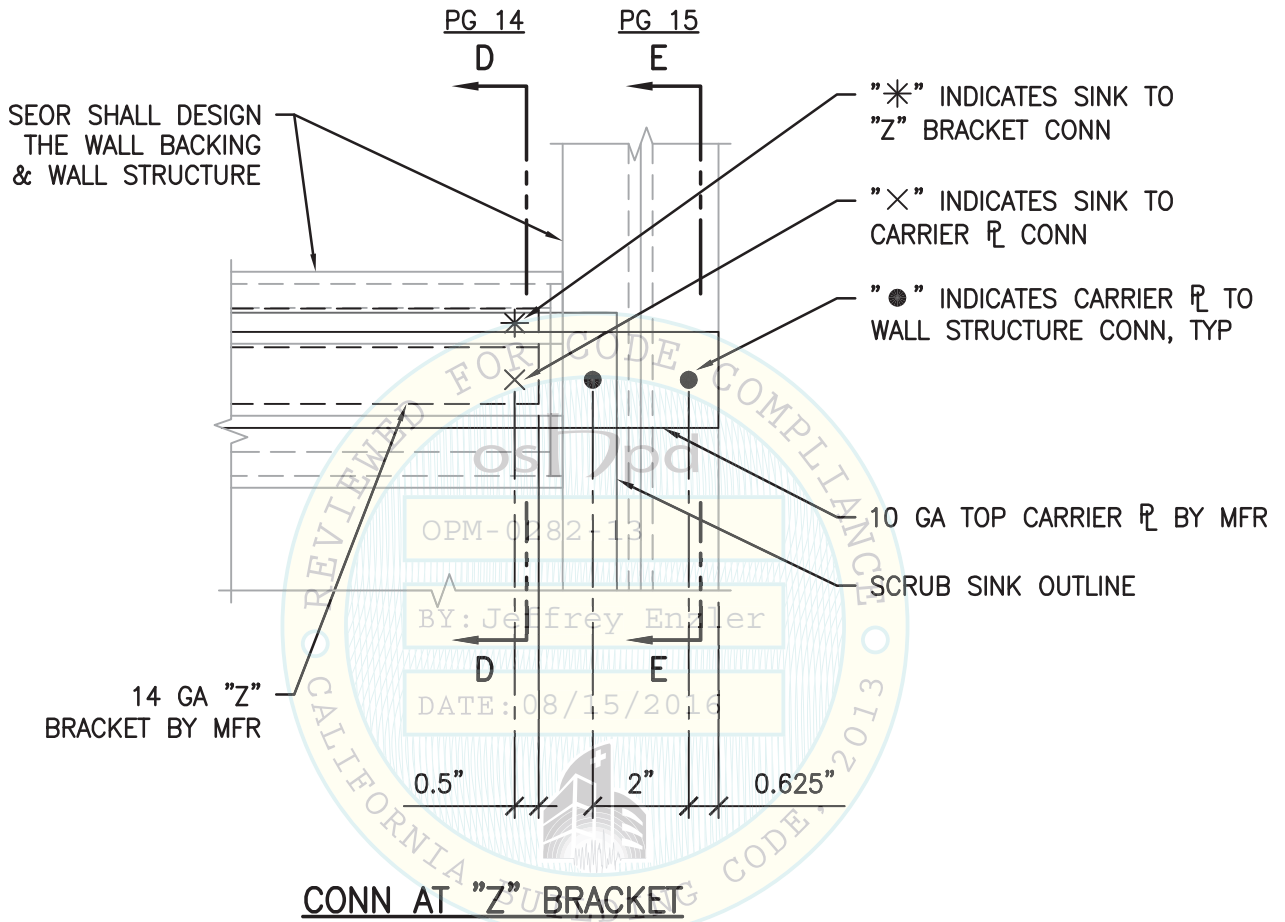
NOT SEOR

SHEET TITLE: SINK MODEL SS96  
TRIPLE STATION SCRUB SINK - DIMENSION DRAWING

**CYS STRUCTURAL ENGINEERS, INC.**  
2495 NATOMAS PARK DRIVE, SUITE 650  
SACRAMENTO, CA 95833  
TEL (916) 920-2020  
www.cyseng.com

Job No: 15085  
Date: 05/24/2016  
Page: 12 of 18

MAC MEDICAL  
SURGICAL SCRUB SINK SUPPORTS & ATTACHMENTS



REGISTERED PROFESSIONAL ENGINEER  
DAVID MATTHEW CALIA  
No. S5614  
*David M. Calia*  
STRUCTURAL  
STATE OF CALIFORNIA

NOT SEOR

SHEET TITLE: SCRUB SINK CONNECTION DETAIL



**CYS STRUCTURAL ENGINEERS, INC.**

2495 NATOMAS PARK DRIVE, SUITE 650  
SACRAMENTO, CA 95833

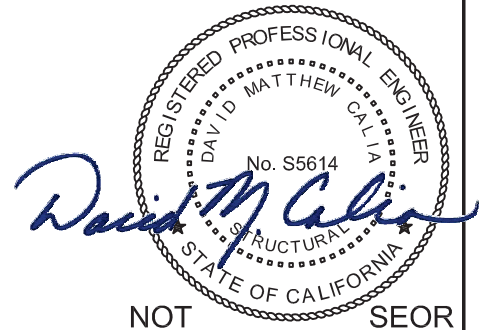
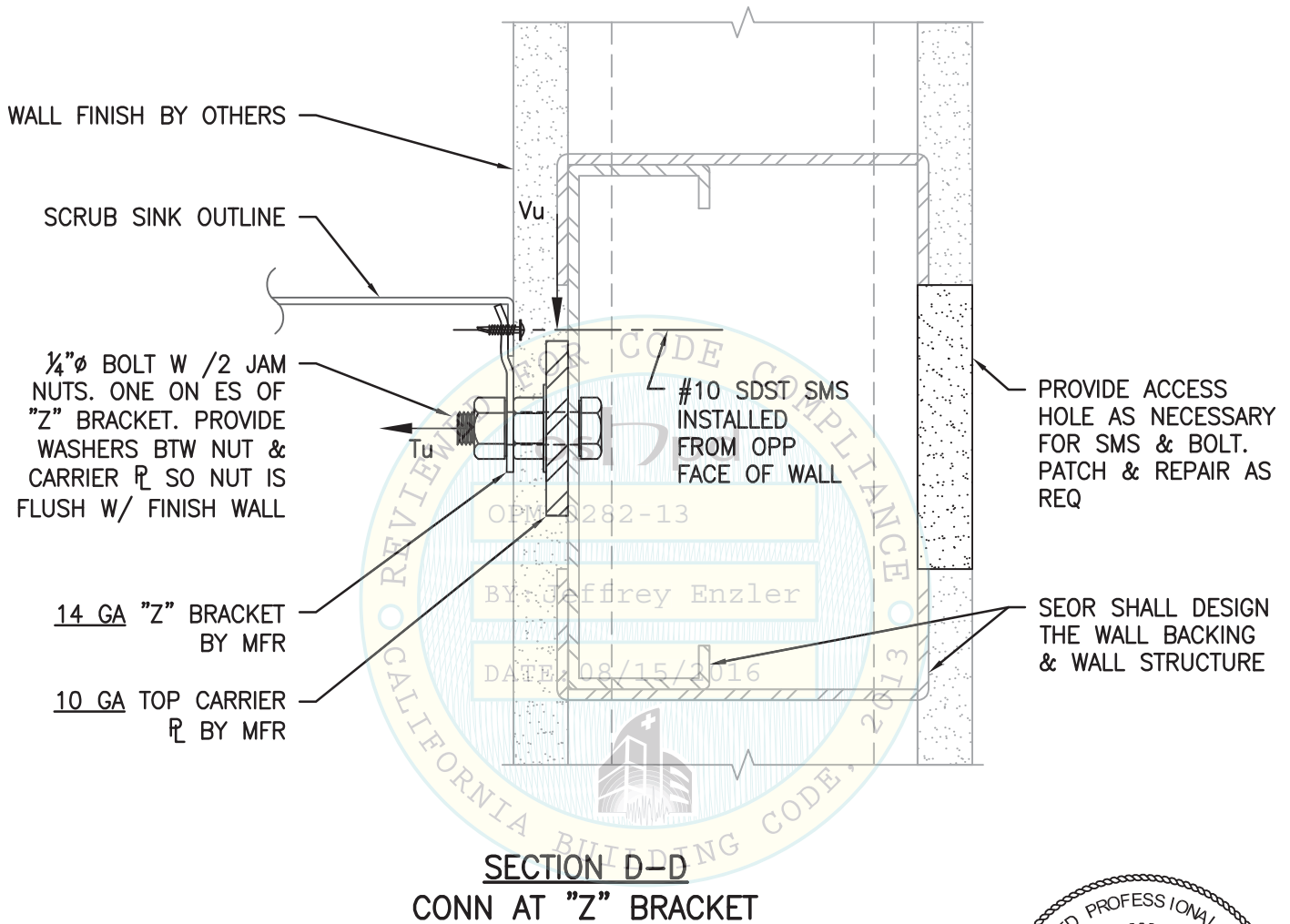
TEL (916) 920-2020  
www.cyseng.com

Job No:	15085
Date:	05/24/2016
Page:	13 of 18

MAC MEDICAL  
SURGICAL SCRUB SINK SUPPORTS & ATTACHMENTS



L:\Jobs15\15085 MAC Medical - Sink & Chair Rail System\ACAD\STRU\S1\_Mac Medical.dwg Time:Jul27,2016-01:59pm Login:mayerhoferm Dimscale:12 LScale:6



NOT SEOR

SHEET TITLE: SCRUB SINK CONNECTION DETAIL



**CYS STRUCTURAL ENGINEERS, INC.**

2495 NATOMAS PARK DRIVE, SUITE 650  
SACRAMENTO, CA 95833

TEL (916) 920-2020  
www.cyseng.com

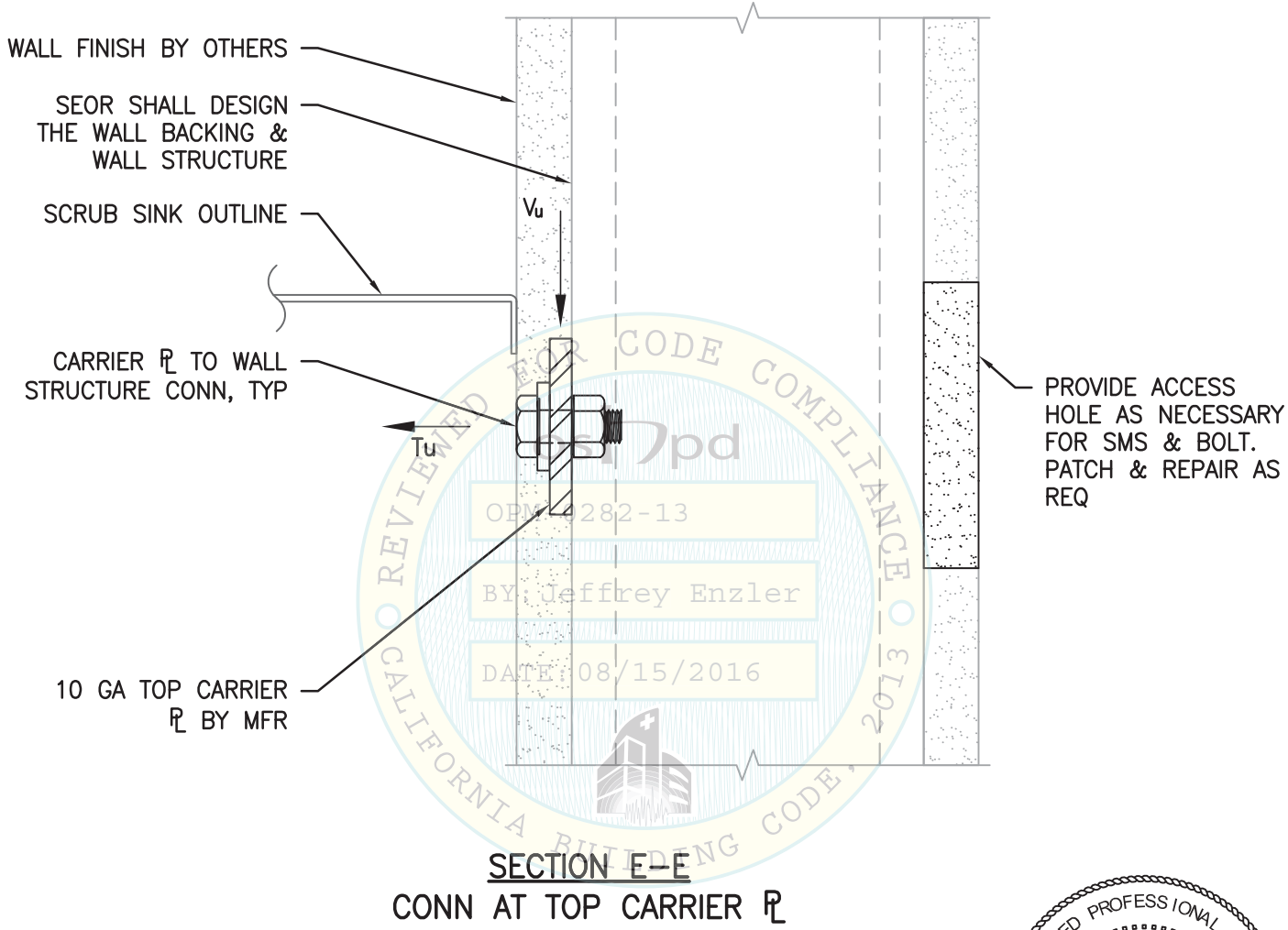
Job No:	15085
Date:	05/24/2016
Page:	14 of 18



MAC MEDICAL  
SURGICAL SCRUB SINK SUPPORTS & ATTACHMENTS



L:\Jobs15\15085 MAC Medical - Sink & Chair Rail System\ACAD\STRU\S1\_Mac Medical.dwg Time:Jul27,2016-01:59pm Login:mayerhoferm DimScale:12 LScale:6



**SECTION E-E**  
**CONN AT TOP CARRIER R**

REGISTERED PROFESSIONAL ENGINEER  
DAVID MATTHEW CALIA  
No. S5614  
*David M. Calia*  
STRUCTURAL  
STATE OF CALIFORNIA

NOT SEOR

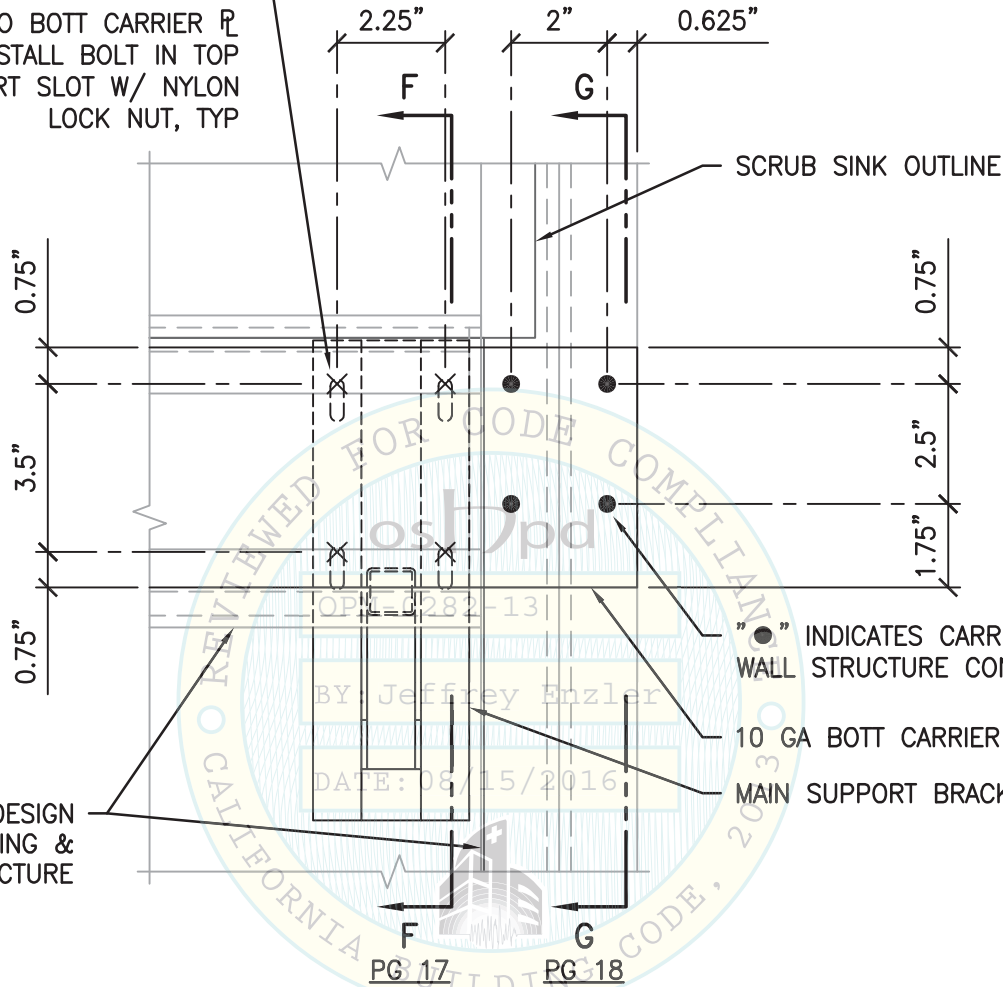
SHEET TITLE: SCRUB SINK CONNECTION DETAIL

<p><b>CYS STRUCTURAL ENGINEERS, INC.</b> 2495 NATOMAS PARK DRIVE, SUITE 650 SACRAMENTO, CA 95833</p>	TEL (916) 920-2020 www.cyseng.com	Job No: 15085 Date: 05/24/2016 Page: 15 of 18
--	--------------------------------------	---

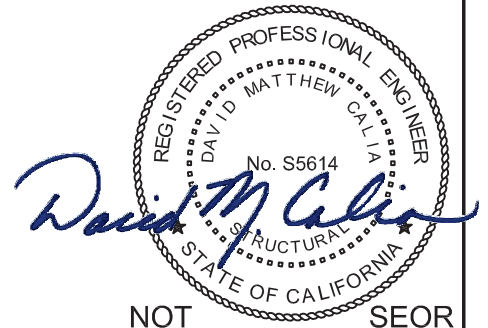
MAC MEDICAL  
SURGICAL SCRUB SINK SUPPORTS & ATTACHMENTS



"X" INDICATES MAIN SUPPORT BRACKET TO BOTT CARRIER  $\bar{r}$  CONN. INSTALL BOLT IN TOP OF VERT SLOT W/ NYLON LOCK NUT, TYP



**CONN AT MAIN  
SUPPORT BRACKET**



NOT SEOR

SHEET TITLE: SCRUB SINK CONNECTION DETAIL



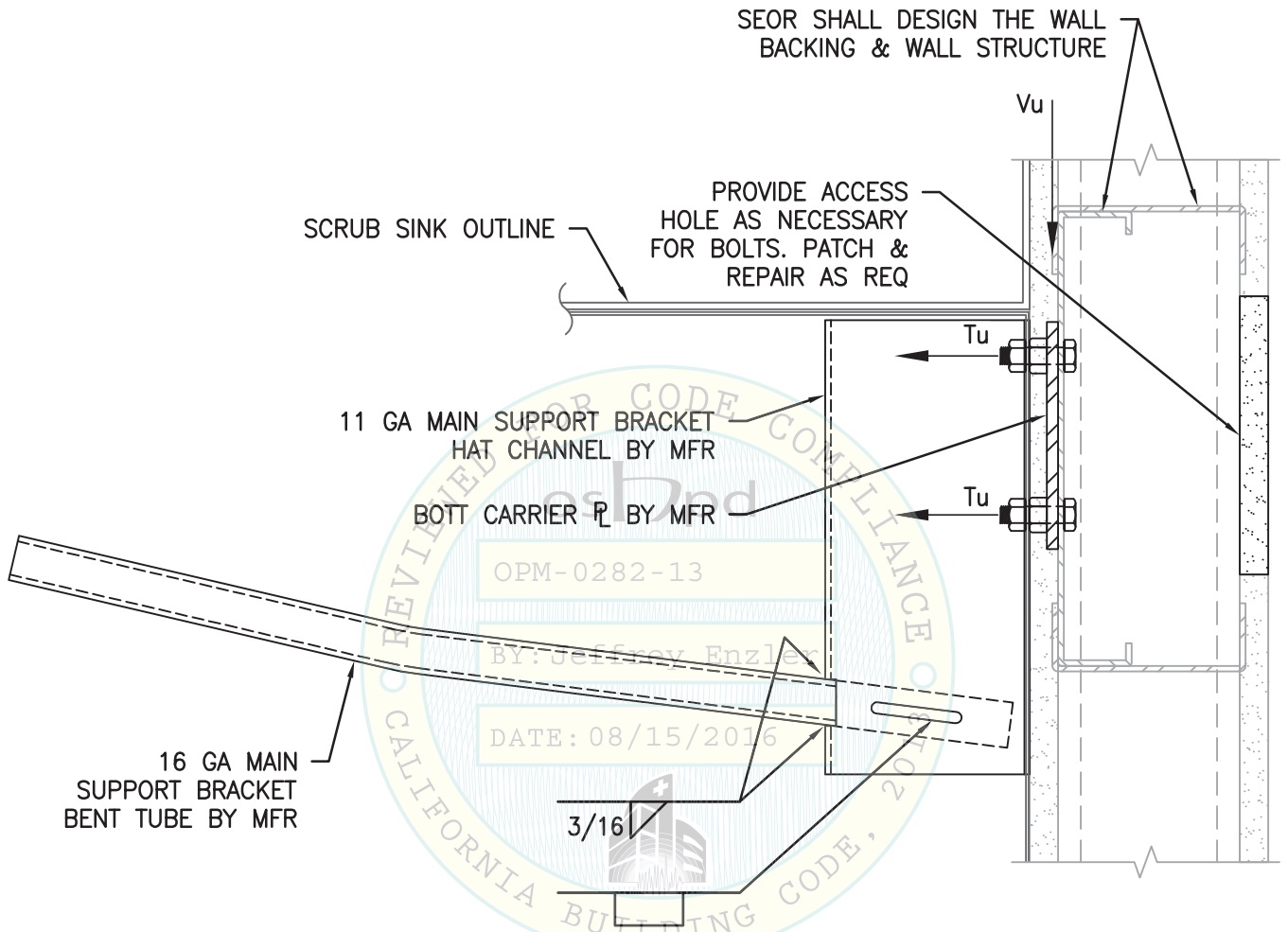
**CYS STRUCTURAL ENGINEERS, INC.**

2495 NATOMAS PARK DRIVE, SUITE 650  
SACRAMENTO, CA 95833

TEL (916) 920-2020  
www.cyseng.com

Job No:	15085
Date:	05/24/2016
Page:	16 of 18

MAC MEDICAL  
SURGICAL SCRUB SINK SUPPORTS & ATTACHMENTS



**SECTION F-F**  
**CONN AT MAIN SUPPORT BRACKET**

REGISTERED PROFESSIONAL ENGINEER  
DAVID MATTHEW CALIA  
No. S5614  
*David M. Calia*  
STRUCTURAL  
STATE OF CALIFORNIA

NOT SEOR

SHEET TITLE: SCRUB SINK CONNECTION DETAIL



**CYS STRUCTURAL ENGINEERS, INC.**

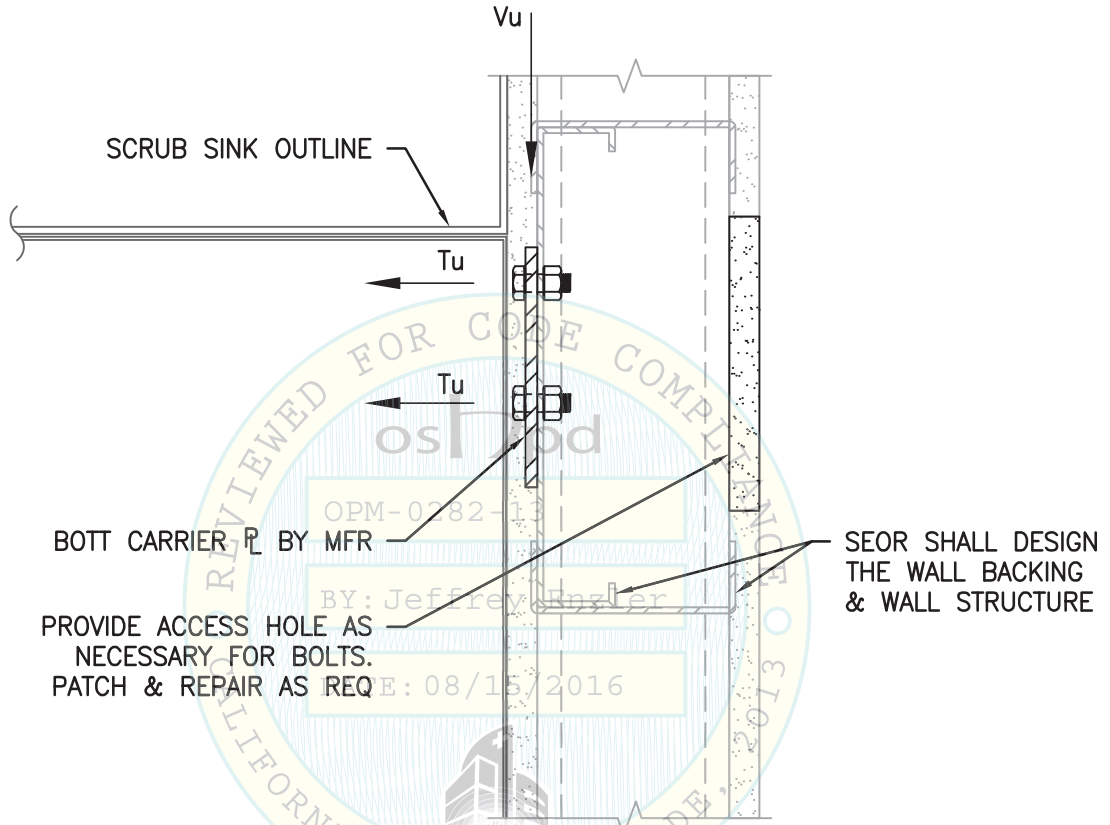
2495 NATOMAS PARK DRIVE, SUITE 650  
SACRAMENTO, CA 95833

TEL (916) 920-2020  
www.cyseng.com

Job No:	15085
Date:	05/24/2016
Page:	17 of 18

L:\Jobs15\15085 MAC Medical - Sink & Chair Rail System\ACAD\STRU\S1\_Mac Medical.dwg Time:Jul27,2016-01:59pm Login:mayerhoferm DimScale:12 LScale:6

MAC MEDICAL  
SURGICAL SCRUB SINK SUPPORTS & ATTACHMENTS



**SECTION G-G**  
**CONN AT BOTT CARRIER**

REGISTERED PROFESSIONAL ENGINEER  
DAVID MATTHEW CALIA  
No. S5614  
*David M. Calia*  
STRUCTURAL  
STATE OF CALIFORNIA

NOT SEOR

SHEET TITLE: SCRUB SINK CONNECTION DETAIL



**CYS STRUCTURAL ENGINEERS, INC.**

2495 NATOMAS PARK DRIVE, SUITE 650  
SACRAMENTO, CA 95833

TEL (916) 920-2020  
www.cyseng.com

Job No:	15085
Date:	05/24/2016
Page:	18 of 18

L:\Jobs15\15085 MAC Medical - Sink & Chair Rail System\ACAD\STRU\S1\_Mac Medical.dwg Time:Jul27,2016-02:00pm Login:mayerhoferm Dimscale:12 LITScale:6