



**OFFICE OF STATEWIDE HEALTH PLANNING AND DEVELOPMENT
FACILITIES DEVELOPMENT DIVISION**

**APPLICATION FOR OSHPD PREAPPROVAL OF
MANUFACTURER'S CERTIFICATION (OPM)**

OFFICE USE ONLY

APPLICATION #: OPM-0413

OSHPD Preapproval of Manufacturer's Certification (OPM)

Type: New Renewal/Update

Manufacturer Information

Manufacturer: Premier Mounts

Manufacturer's Technical Representative: Tiffany Dozier

Mailing Address: 2620 Palisades Drive, Corona, CA 92882

Telephone: (800) 368-9700

Email: tiffany@premiermounts.com

Product Information

Product Name: PDS-PLUS/PDS-PLUS with PROJECTOR MOUNT

Product Type: Other Mechanical & Electrical Components

Product Model Number: PDS-PLUS

General Description: Ceiling Mounted Low Profile Projector Mount

Applicant Information

Applicant Company Name: EASE LLC.

Contact Person: Tiffany Tonn

Mailing Address: 1515 FAIRVIEW AVE, STE 205, MISSOULA, MT 59801

Telephone: (406) 541-3273

Email: tiffany@easeco.com

Title: Office Manager

Access to Safe, Quality Healthcare Environments that Meet California's Diverse and Dynamic Needs

STATE OF CALIFORNIA – HEALTH AND HUMAN SERVICES AGENCY





**OFFICE OF STATEWIDE HEALTH PLANNING AND DEVELOPMENT
FACILITIES DEVELOPMENT DIVISION**

Registered Design Professional Preparing Engineering Recommendations

Company Name: EASE
Name: Jonathan Roberson California License Number: S4197
Mailing Address: 5877 Pine Ave., Suite 210, Chino Hills, CA 91709
Telephone: (951) 295-1892 Email: jon@EASECo.com

OSHPD Special Seismic Certification Preapproval (OSP)

Special Seismic Certification is preapproved under OSP OSP Number: _____

Certification Method

Testing in accordance with: ICC-ES AC156 FM 1950-16
 Other(s) (Please Specify): _____

*Use of criteria other than those adopted by the California Building Standards Code, 2019 (CBSC 2019) for component supports and attachments are not permitted. For distribution system, interior partition wall, and suspended ceiling seismic bracings, test criteria other than those adopted in the CBSC 2019 may be used when approved by OSHPD prior to testing.

- Analysis
- Experience Data
- Combination of Testing, Analysis, and/or Experience Data (Please Specify): _____

OSHPD Approval

Date: 4/23/2021
Name: George Chu Title: Senior Structural Engineer
Condition of Approval (if applicable): _____





**EQUIPMENT ANCHORAGE
& SEISMIC ENGINEERING**

5877 Pine Ave, Ste. 210
Chino Hills, CA. 91709
Phn: (909) 606-7622

Office of Statewide Health Planning and Development
PREAPPROVAL OF MANUFACTURER'S CERTIFICATION
OPM-0413

THIS PREAPPROVAL CONFORMS TO THE 2019 CALIFORNIA BUILDING CODE

MANUFACTURER: **PREMIER MOUNTS**
EQUIPMENT NAME: **PDS-PLUS/PDS-PLUS-W PROJECTOR MOUNTS**

Sheet: 1 of 4
Date: 4/15/21

GENERAL NOTES

1. THIS OSHPD PREAPPROVAL OF MANUFACTURER'S CERTIFICATION (OPM) IS BASED ON THE 2019 CBC. THE DEMANDS (DESIGN FORCES) FOR USE WITH THIS OPM SHALL BE BASED ON THE 2019 CBC
2. THIS DOCUMENT MAY ONLY BE USED WITH THE EXPRESS WRITTEN CONSENT OF THE MANUFACTURER LISTED ABOVE FOR THE SPECIFIC PROJECT SITE AND INSTALLATION LOCATION. THIS DOCUMENT IS INVALID WITHOUT SUCH CONSENT.
3. THIS PREAPPROVAL CONFORMS TO THE 2019 CALIFORNIA BUILDING CODE.
4. FORCES PER ASCE 7-16 SECTION 13.3.1, EQUATIONS 13.3-1, 13.3-2 & 13.3-3, WHERE $S_{Ds} \leq 1.60$, $a_p = 1.0$, $I_p = 1.5$, $R_p = 1.5$, $z/h \leq 1$.
5. THE DETAILS IN THIS PREAPPROVAL MAY BE USED AT ANY LOCATION IN THE STATE OF CALIFORNIA, WHERE S_{Ds} IS NOT GREATER THAN 1.60.
6. ALL DESIGN FORCES SHOWN ON THE DRAWINGS ARE FACTORED LOADS THAT SHALL BE USED FOR STRENGTH DESIGN.
7. SHEET METAL SCREWS SHALL BE TEKS SCREWS BY ITW BUILDEX (ICC ESR-1976).
8. THIS PREAPPROVAL COVERS ONLY THE SUPPORTS AND ATTACHMENTS OF THE EQUIPMENT TO THE STRUCTURE.
9. RESPONSIBILITIES OF THE STRUCTURAL ENGINEER OF RECORD OF THE BUILDING
 - A. PROVIDE SUPPORTING STRUCTURE REQUIRED TO SUPPORT WEIGHTS AND FORCES SHOWN, IN ADDITION TO ALL OTHER LOADS.
 - B. VERIFY THAT THE INSTALLATION IS IN CONFORMANCE WITH THE 2019 CBC AND WITH THE DETAILS SHOWN IN THIS PREAPPROVAL. VERIFY THAT THE ACTUAL EQUIPMENT'S WEIGHT, CG LOCATION, ANCHOR LOCATIONS, ANCHOR DETAILS AND THE MATERIAL AND GAGE OF THE UNIT WHERE ATTACHMENTS ARE MADE AGREE WITH THE INFORMATION SHOWN ON THE PREAPPROVAL DOCUMENTS.
 - C. VERIFY THAT THE COMBINATION OF S_{Ds} & z/h RESULT IN SEISMIC FORCES (E_h , E_v) THAT ARE NOT GREATER THAN THE VALUES ON THE DETAILS.
 - D. DESIGN BACKING BARS, STUDS, ETC. WHICH THE UNITS ARE ATTACHED TO AS NOTED ON THE DRAWINGS.

BY: George Chu



PREMIER MOUNTS

DES. **J. ROBERSON**

SHEET

2

JOB NO. **11-2103**

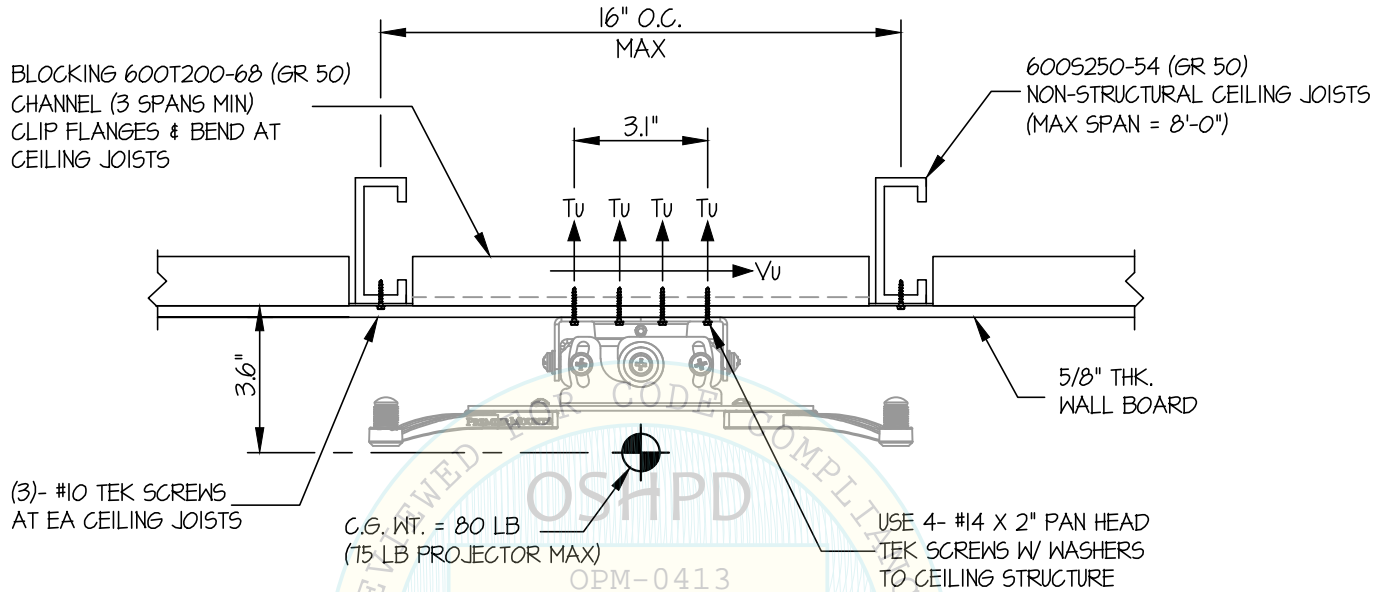
PDS-PLUS/PDS-PLUS-W PROJECTOR MOUNTS

DATE **4/15/21**

OF **4** SHEETS

SEISMIC SUPPORTS & ATTACHMENTS

CEILING MOUNTED



BY: **ELEVATION**
(STEEL JOIST FRAMING)
DATE: 04/23/2021

NOTES:

- FORCES ARE DETERMINED PER 2019 CALIFORNIA BUILDING CODE AND ASCE 7-16.**
STRENGTH DESIGN IS USED. ($S_{ds} = 1.60$, $a_p = 1.0$, $I_p = 1.5$, $R_p = 1.5$, $z/h \leq 1$)

HORIZONTAL FORCE (E_h) = $1.92 W_p$
VERTICAL FORCE (E_v) = $0.32 W_p$

- CENTER OF GRAVITY (C.G.) AND WEIGHT ARE THE GOVERNING PARAMETERS FOR DESIGN. THIS PREAPPROVAL ENCOMPASSES ALL WEIGHTS UP TO THE MAXIMUM WEIGHT SHOWN.
- STRUCTURAL ENGINEER OF RECORD FOR THE BUILDING SHALL PROVIDE SUPPORT STRUCTURE DESIGNED TO SUPPORT WEIGHTS AND FORCES SHOWN IN COMBINATION WITH ALL OTHER LOADS THAT MAY BE PRESENT.
- SEE GENERAL NOTES: SHEET 1



PREMIER MOUNTS

DES. **J. ROBERSON**

SHEET

3

PDS-PLUS/PDS-PLUS-W PROJECTOR MOUNTS

JOB NO. **11-2103**

DATE **4/15/21**

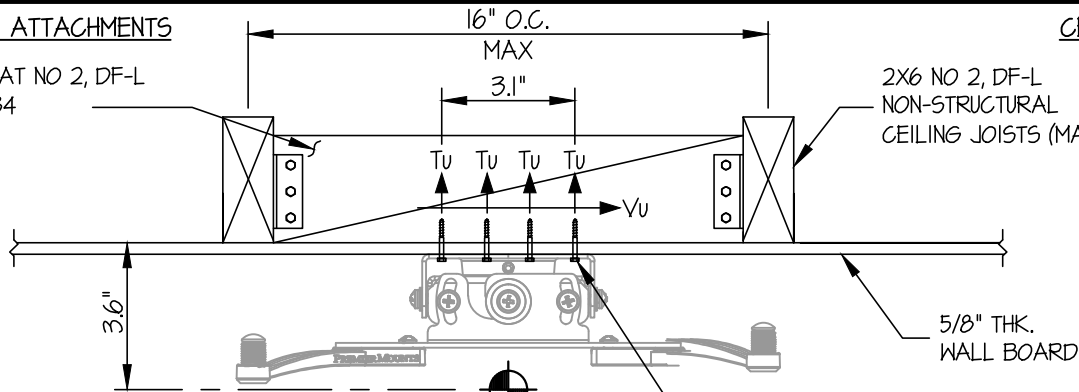
OF **4** SHEETS

SEISMIC SUPPORTS & ATTACHMENTS

CEILING MOUNTED

BLOCKING 4X6 FLAT NO 2, DF-L
W (4) SIMPSON A34
1 EA CORNER

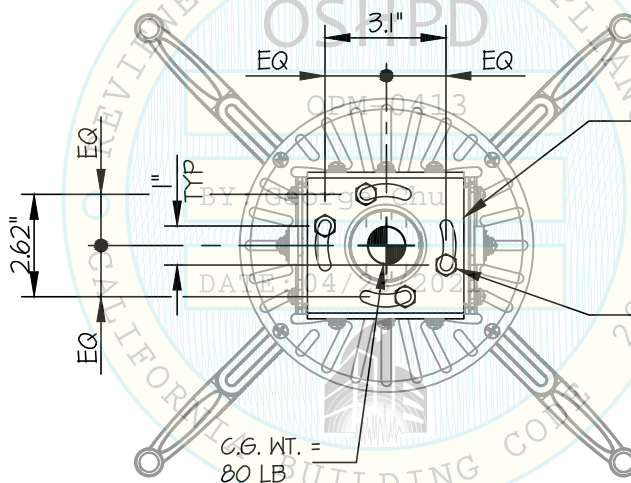
2X6 NO 2, DF-L
NON-STRUCTURAL
CEILING JOISTS (MAX SPAN = 8'-0")



C.G. WT. =
80 LB

USE 4- #14 X 3" PAN HEAD
WOOD SCREWS W STANDARD WASHERS
TO CEILING STRUCTURE

ELEVATION
(WOOD CEILING)



BASE PLATE
(13 GA, A1008, Fy=20 KSI MIN)
(BY MFR)

USE (4)- #14 X 2" PAN HEAD
TEK SCREWS TO STEEL JOIST
OR (4)- #14 X 2" PAN HEAD
WOOD SCREWS TO CEILING STRUCTURE

C.G. WT. =
80 LB

PLAN AT PLATE



PREMIER MOUNTS

DES. J. ROBERSON

SHEET

4

JOB NO. 11-2103

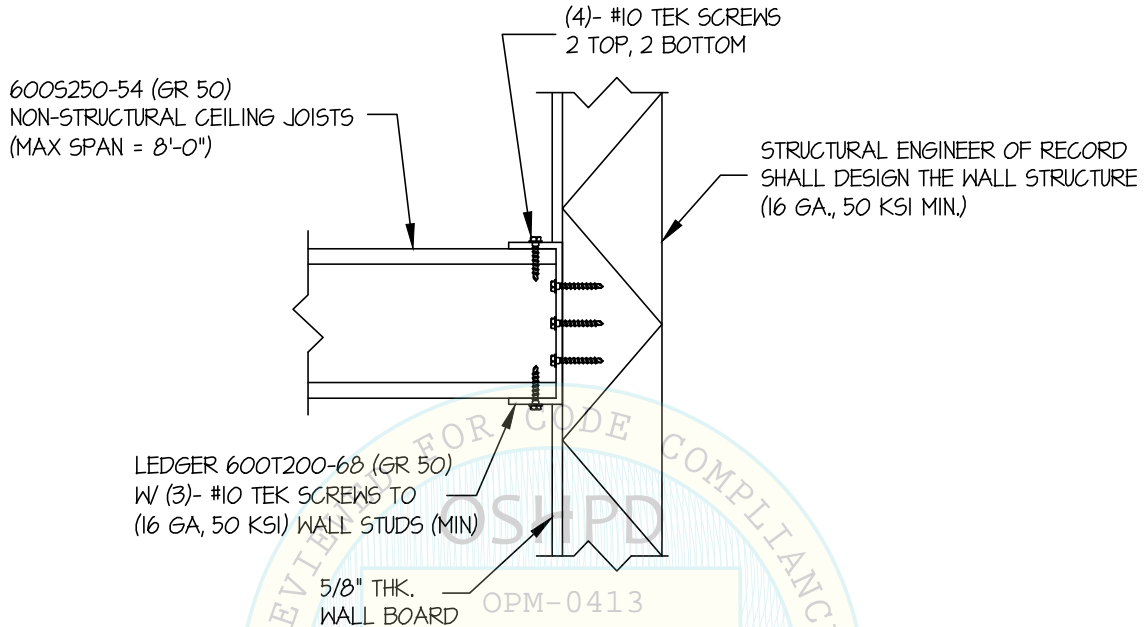
PDS-PLUS/PDS-PLUS-W PROJECTOR MOUNTS

DATE 4/15/21

OF 4 SHEETS

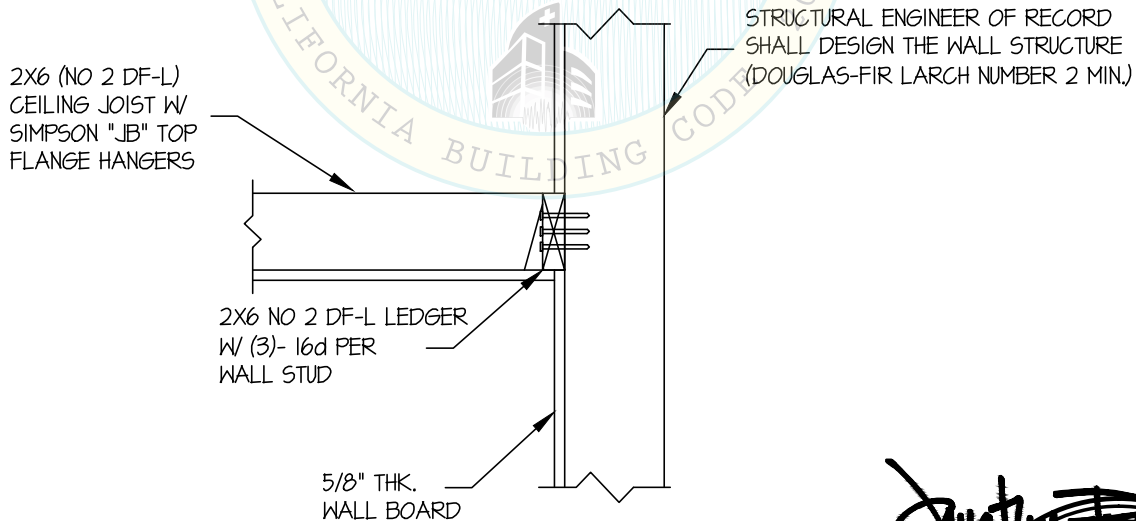
SEISMIC SUPPORTS & ATTACHMENTS

CEILING MOUNTED



REVIEWED FOR CODE COMPLIANCE
 BY: George Chu
SECTION AT STEEL STUD WALL
 DATE: 04/23/2021

NOTE:
 NO SPLICES AT LEDGER WITHIN
 2'-0" OF CEILING BAY
 WITH COMPONENT (TYP)



SECTION AT WOOD STUD WALL

Jonathan Roberson
 REGISTERED PROFESSIONAL ENGINEER
 JONATHAN ROBERSON
 No. 4197
 EXP. 6-30-2022
 4/15/21
 STRUCTURAL
 STATE OF CALIFORNIA