



OFFICE OF STATEWIDE HEALTH PLANNING AND DEVELOPMENT
FACILITIES DEVELOPMENT DIVISION

APPLICATION FOR OSHPD PREAPPROVAL OF MANUFACTURER'S CERTIFICATION (OPM)

OFFICE USE ONLY
APPLICATION #: OPM-0452-13

OSHPD Preapproval of Manufacturer's Certification (OPM)

Type: [X] New [] Renewal [] Update to Pre-CBC 2013 OPA Number:

Manufacturer Information

Manufacturer: Strongarm Designs

Manufacturer's Technical Representative: Kirby Erlandsen

Mailing Address: Strongarm Designs, 425 Caredean Drive, Horsham, PA 19044

Telephone: (215) 443-3400 x114 Email: kerlandsen@strongarm.com

Product Information

Product Name: Clean Mount and Mighty Mount

Product Type: Wall mounted workstations

Product Model Number: CMP-T36W-M18 and M4L T36W M18 P9moto

General Description: Strongarm Clean Mount and Mighty Mount workstations are designed to support display monitors and keyboards on dual swivels for ergonomic repositioning. Both models have vertical adjustment.

Applicant Information

Applicant Company Name: ISAT Seismic Bracing

Contact Person: William V Joerger

Mailing Address: 1020 Crews Road, Suite Q, Matthews NC 28105

Telephone: 510-714-0216 Email: wvjoerger@isatsb.com

I hereby agree to reimburse the Office of Statewide Health Planning and Development review fees in accordance with the California Administrative Code, 2016.

Signature of Applicant: [Signature] Date: 10/17/2017

Title: Principal Structural Engineer Company Name: ISAT Seismic Bracing

"Access to Safe, Quality Healthcare Environments that Meet California's Diverse and Dynamic Needs"





**OFFICE OF STATEWIDE HEALTH PLANNING AND DEVELOPMENT
FACILITIES DEVELOPMENT DIVISION**

Registered Design Professional Preparing Engineering Recommendations

Company Name: ISAT Seismic Bracing
Name: William V Joerger California License Number: S4545
Mailing Address: 1020 Crews Rd, Matthews NC 28105
Telephone: 510-714-0216 Email: wvjoerger@isatsb.com

OSHPD Special Seismic Certification Preapproval (OSP)

- Special Seismic Certification is preapproved under OSP-
(Separate application for OSP is required)
- Special Seismic Certification is not preapproved

Certification Method(s)

- Testing in accordance with: ICC-ES AC156 FM 1950-16
- Other* (Please Specify): _____

Equipment is considered to be rugged. OPM is for anchorage to concrete slabs.

*Use of criteria other than those adopted by the California Building Standards Code, 2016 (CBSC 2016) for component supports and attachments are not permitted. For distribution system, interior partition wall, and suspended ceiling seismic bracings, test criteria other than those adopted in the CBSC 2016 may be used when approved by OSHPD prior to testing.

- Analysis
- Experience Data
- Combination of Testing, Analysis, and/or Experience Data (Please Specify): _____

DATE: 12/04/2017

List of Attachments Supporting the Manufacturer's Certification

- Test Report Drawings Calculations Manufacturer's Catalog
- Other(s) (Please Specify): _____

OFFICE USE ONLY – OSHPD APPROVAL VALID FOR CBC 2016 & ALL PRE-2016 CODE BASED PROJECTS

Signature: Date: 12-04-2017
Print Name: Jeffrey Kikumoto
Title: SSE
Condition of Approval (if applicable): _____

"Access to Safe, Quality Healthcare Environments that Meet California's Diverse and Dynamic Needs"





INTERNATIONAL SEISMIC APPLICATION TECHNOLOGY

A Division of Tomarco Contractor Specialties

Submittal Documents

OPM-0452-13

OSHPD OPM-0452-13

CONSTRUCTION DRAWINGS

CLEAN MOUNT AND MIGHTY MOUNT OPERATOR INTERFACE SYSTEMS

STRONGARM

ISAT
1020 Crews Road Suite Q
Matthews, N.C. 28105
704-841-4080



FILE NO.: CLT-0817-096

"Empowered by Experience"

REV 1

OSHPD OPM-0425-13 DWG - i



OSHPD OPM-0452-13

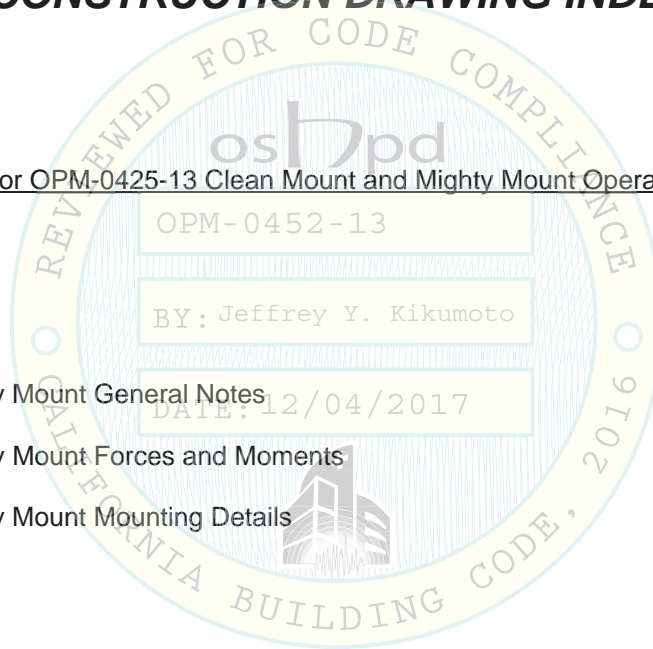
**CLEAN MOUNT AND MIGHTY MOUNT
OPERATOR INTERFACE SYSTEMS**

CONSTRUCTION DRAWING INDEX

INDEX

Construction Drawings for OPM-0425-13 Clean Mount and Mighty Mount Operator Interface Systems

Cover Page	p i
Index Page	p ii
Clean Mount and Mighty Mount General Notes	p 1
Clean Mount and Mighty Mount Forces and Moments	p 2
Clean Mount and Mighty Mount Mounting Details	p 3



OSHPD OPM-0452-13

MANUFACTURE: STRONGARM

EQUIPMENT TYPE: CLEAN MOUNT AND MIGHTY MOUNT OPERATOR INTERFACE SYSTEMS

GENERAL NOTES

1. THIS OSHPD PREAPPROVAL OF MANUFACTURER'S CERTIFICATION (OPM) IS BASED ON THE CBC 2016. THE DEMAND (DESIGN FORCES) FOR USE WITH THIS OPM SHALL BE BASED ON THE CBC 2016.
2. SEISMIC CRITERIA USED: $S_{DS} = 2.5$ $I_p = 1.5$ $a_p = 2.5$ $R_p = 2.5$ (CANTILEVERED EQUIPMENT). FOR $z/h \leq 1.0$ $F_pH = 4.50$ AND $F_pV = 0.50$.
3. SUPPORT AND ATTACHMENT FORCES ARE DETERMINED USING ASCE 7-10 CHAPTER 13 "SEISMIC DESIGN REQUIREMENTS FOR NONSTRUCTURAL COMPONENTS". LOADS SHOWN ARE STRENGTH DESIGN LOADS PER CBC 2016 SECTION 1605A.2.
4. THIS PREAPPROVAL COVERS ONLY THE SUPPORTS AND ATTACHMENTS OF THE EQUIPMENT TO THE STRUCTURE.
5. MATERIALS: 6063T5 FOR EXTRUDED ALUMINUM, ASTM C1002-16 TYPE S FOR SHEET METAL SCREWS, ASTM A1003 FOR SHEET METAL STUDS.

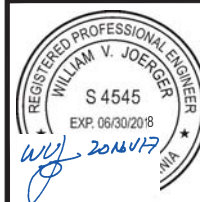
RESPONSIBILITIES OF THE STRUCTURAL ENGINEER OF RECORD

1. VERIFY THAT THE EXISTING STRUCTURE IS ADEQUATE FOR THE IMPOSED DEAD, LATERAL AND TENSION FORCES SHOWN IN ADDITION TO ALL OTHER LOADS.
2. PROVIDE A PLAN FOR INSPECTION OF SUPPORTS AND ATTACHMENTS AND VERIFY ITS IMPLEMENTATION.
3. VERIFY THAT THE INSTALLATION IS IN CONFORMANCE WITH CBC 2016 AND WITH THE OPM-0452-13 DETAILS INCLUDING MATERIALS AND DIMENSIONS OF THE SUPPORT WHERE THE ATTACHMENTS ARE MADE AGREE WITH THE INFORMATION SHOWN.
4. VERIFY THAT THE PROJECT SPECIFIC S_{DS} AND z/h VALUES RESULT IN SEISMIC FORCES (E_h AND E_v) DO NOT EXCEED THE VALUES SHOWN IN THESE DETAILS.
5. DESIGN WALL STUDS, STUD BRIDGING, BACKING BARS AND OTHER COMPONENTS TO WHICH THE UNITS ARE ATTACHED AS NOTED ON THE DRAWINGS.

OPM-0425-13 CLEAN MOUNT AND MIGHTY MOUNT GENERAL NOTES



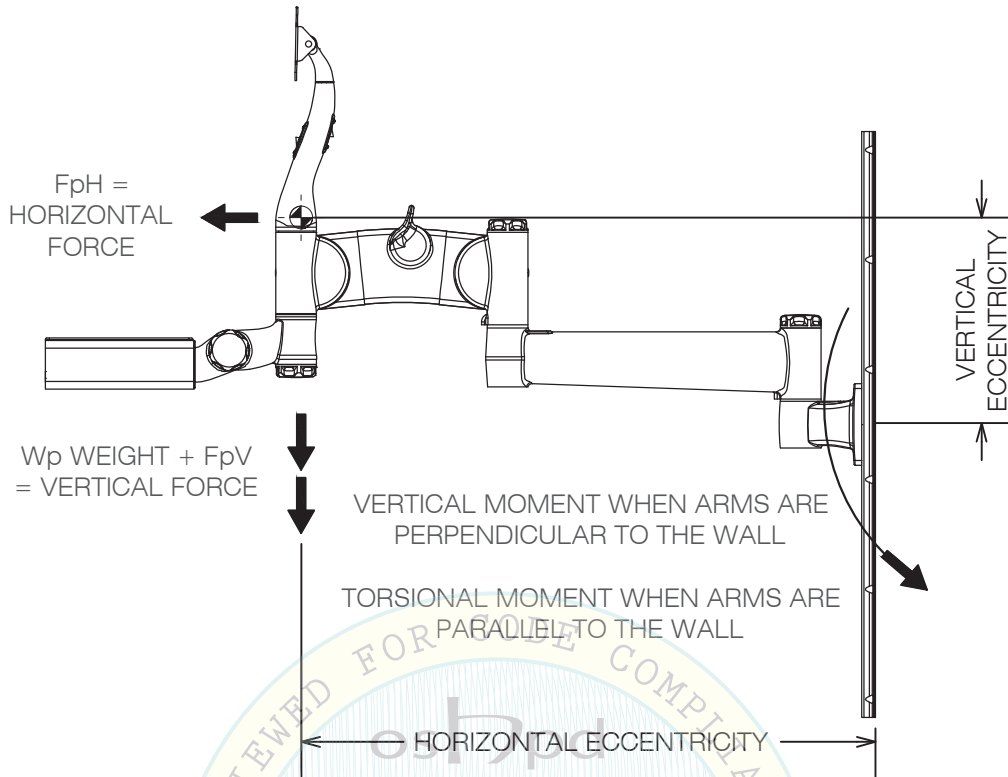
International Seismic Application Technology
1020 Crews Road, Suite Q, Matthews, NC 28105
704-841-4080 www.isatsb.com



DRAWN BY: WVJ
DATE: 10/20/17
REVISED BY: WVJ
DATE: 11/20/17
REV NO: 1

SCALE N.T.S.	PAGE GEN NOTES
------------------------	--------------------------

OSHPD OPM-0425-13 DWG - 1



OPM-0452-13

EQUIPMENT DATA AND DESIGN FORCES

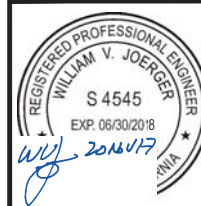
Equipment Data		Center of Gravity Locations		Seismic Design Forces		Perpendicular to Wall	Parallel to Wall
Model Series	Weight lbs	Horizontal Ecc. (in)	Vertical Ecc. (in)	Vertical lbs.	Horizontal lbs.	Vertical Moment ft-lbs	Torsional Moment ft-lbs
CMP-T36W-M18	54.5	35.00	12.6	110	290	670	670
M4L-T36W-M18	55.8	30.90	11.2	117	296	503	503

1. WEIGHTS AND MOMENTS ARE FACTORED LOADS USING STRENGTH DESIGN AND INCLUDE THE FOLLOWING FACTORS: DL = 1.2, FpH ELEVATED = 4.5 AND FpV = 0.5. DISPLAY MONITOR WEIGHT IS NOT TO EXCEED 30 POUNDS.
2. CENTER OF GRAVITY LOCATIONS LISTED ARE FOR MAXIMUM EXTENSION FROM THE FACE OF THE WALL.
3. FORCES AND MOMENTS ARE FOR THE DESIGN OF THE WALL STUDS AND BACKING MATERIALS (BY OTHERS). MAXIMUM VERTICAL MOMENT OCCURS WHEN THE UNIT PROJECTS PERPENDICULAR TO THE WALL. MAXIMUM TORSIONAL MOMENT OCCURS WHEN THE UNIT IS PARALLEL TO THE WALL.
4. WEIGHT INCLUDES A 20 POUNDS ALLOWANCE FOR THE OWNER SUPPLIED MONITOR.

OPM-0425-13 CLEAN MOUNT AND MIGHTY MOUNT FORCES AND MOMENTS

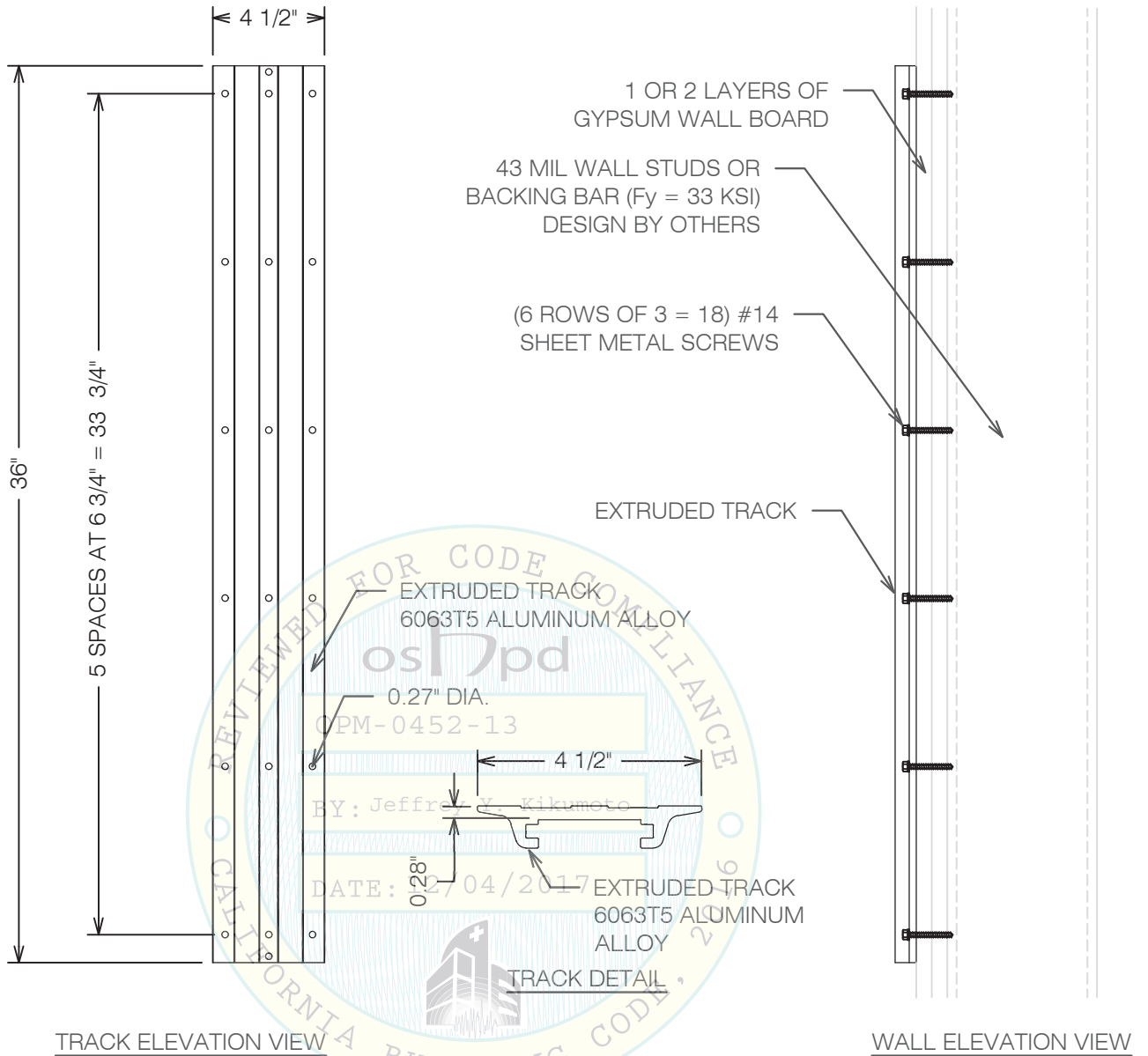


International Seismic Application Technology
 1020 Crews Road, Suite Q, Matthews, NC 28105
 704-841-4080 www.isatsb.com



DRAWN BY: WVJ
DATE: 10/20/17
REVISED BY: WVJ
DATE: 11/20/17
REV NO: 1

SCALE: N.T.S.
PAGE: FORCES



OPM-0425-13 CLEAN MOUNT AND MIGHTY MOUNT MOUNTING DETAILS



International Seismic Application Technology
 1020 Crews Road, Suite Q, Matthews, NC 28105
 704-841-4080 www.isatsb.com

	DRAWN BY: WVJ	
	DATE: 10/20/17	
	REVISED BY: WVJ	
		DATE: 11/20/17
		REV NO: 1
SCALE N.T.S.	PAGE MOUNTING	

OSHPD OPM-0425-13 DWG - 3