



OFFICE OF STATEWIDE HEALTH PLANNING AND DEVELOPMENT
FACILITIES DEVELOPMENT DIVISION

APPLICATION FOR OSHPD PREAPPROVAL OF
MANUFACTURER'S CERTIFICATION (OPM)

OFFICE USE ONLY
APPLICATION #: OPM-0481-13

OSHPD Preapproval of Manufacturer's Certification (OPM)

Type: [X] New [] Renewal [] Update to Pre-CBC 2013 OPA Number:

Manufacturer Information

Manufacturer: Franke Kindred Canada
Manufacturer's Technical Representative: Cory Macey
Mailing Address: 1000 Franke Kindred Road, Midland, Ontario L4R 4K9 Canada
Telephone: (705) 526-5427 ext.1242 Email: cory.macey@franke.com

Product Information

Product Name: Medi-flow Infection Control Basin
Product Type: Wall mounted basin intended for hand washing only
Product Model Number: HWSS2321W-00
General Description: Wall mounted sink that is supported by a frame that is recessed onto the wall.
The frame is braced laterally by wall studs.

Applicant Information

Applicant Company Name: Franke Kindred Canada
Contact Person: Cory Macey
Mailing Address: 1000 Franke Kindred Road, Midland, Ontario L4R 4K9 Canada
Telephone: (705) 526-5427 ext.1242 Email: cory.macey@franke.com

I hereby agree to reimburse the Office of Statewide Health Planning and Development review fees in accordance with the California Administrative Code, 2016.

Signature of Applicant: [Signature] Date: January 29, 2018
Title: Commercial Product Development Manager Company Name: Franke Kindred Canada

"Access to Safe. Quality Healthcare Environments that Meet





OFFICE OF STATEWIDE HEALTH PLANNING AND DEVELOPMENT FACILITIES DEVELOPMENT DIVISION

Registered Design Professional Preparing Engineering Recommendations

Company Name: CYS Structural Engineers, Inc.

Name: David M. Calia California License Number: S5614

Mailing Address: 2495 Natomas Park Drive, Suite #650, Sacramento, CA 95833

Telephone: (916) 920-2020 Email: davidc@cyseng.com

OSHPD Special Seismic Certification Preapproval (OSP)

- Special Seismic Certification is preapproved under OSP-
(Separate application for OSP is required)
- Special Seismic Certification is not preapproved

Certification Method(s)

- Testing in accordance with: ICC-ES AC156 FM 1950-16
- Other* (Please Specify): _____

OPM-0481-13

*Use of criteria other than those adopted by the California Building Standards Code, 2016 (CBSC 2016) for component supports and attachments are not permitted. For distribution system, interior partition wall, and suspended ceiling seismic bracings, test criteria other than those adopted in the CBSC 2016 may be used when approved by OSHPD prior to testing.

- Analysis
- Experience Data
- Combination of Testing, Analysis, and/or Experience Data (Please Specify): _____

DATE: 08/17/2018

List of Attachments Supporting the Manufacturer's Certification

- Test Report Drawings Calculations Manufacturer's Catalog
- Other(s) (Please Specify): _____

OFFICE USE ONLY – OSHPD APPROVAL VALID FOR CBC 2016 & ALL PRE-2016 CODE BASED PROJECTS

Signature:  Date: 08-17-2018

Print Name: Jeffrey Kikumoto

Title: SSE

Condition of Approval (if applicable): _____

"Access to Safe. Quality Healthcare Environments that Meet

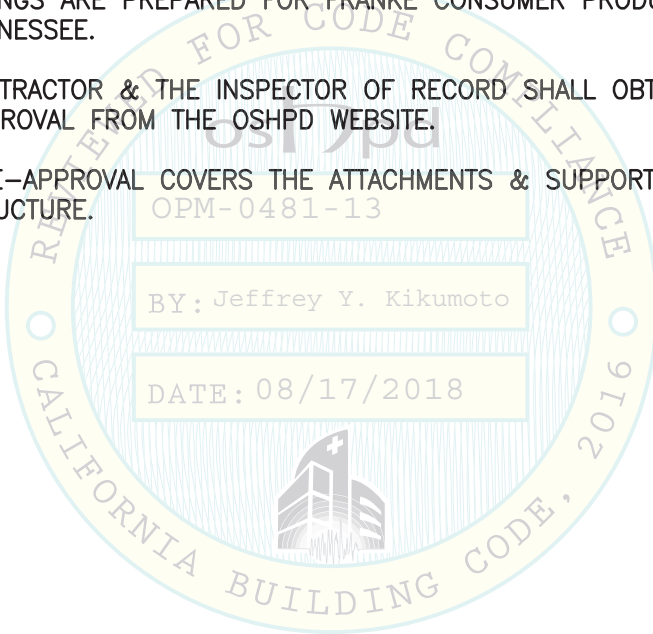




SCRUB SINK MODEL HWSS2321W
OPM-0481-13

| | PAGE |
|---|------|
| GENERAL INFORMATION | |
| TABLE OF CONTENTS | 1 |
| GENERAL NOTES | 2 |
| SYSTEM OVERVIEW & DESIGN CRITERIA | 3 |
| ABBREVIATIONS | 4 |
| SINK DIMENSIONS & PROPERTIES | 5 |
| STAND DIMENSIONS & PROPERTIES | 6 |
| SINK & STAND CONNECTION DETAILS | 8 |

- NOTES:** THESE DRAWINGS ARE PREPARED FOR FRANKE CONSUMER PRODUCTS, INC., SMYRNA, TENNESSEE.
1. THE CONTRACTOR & THE INSPECTOR OF RECORD SHALL OBTAIN A COPY OF THIS PRE-APPROVAL FROM THE OSHPD WEBSITE.
 2. THIS PRE-APPROVAL COVERS THE ATTACHMENTS & SUPPORT OF THE SINK TO THE STRUCTURE.



SHEET TITLE: TABLE OF CONTENTS

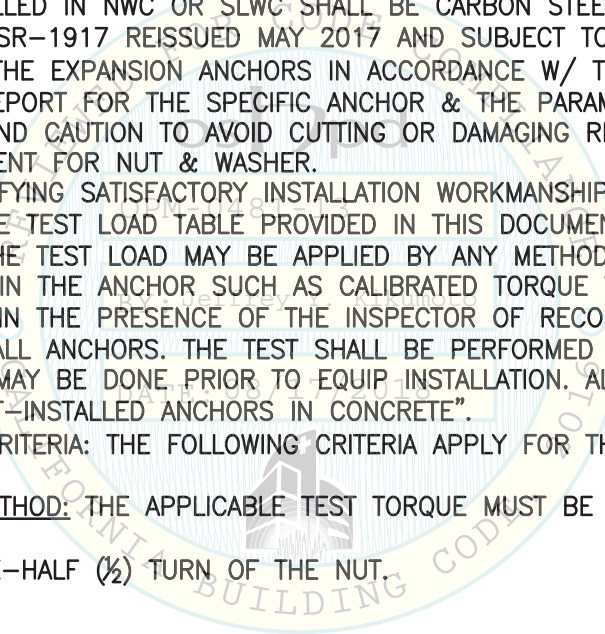
| | | |
|--|--------------------------------------|--|
| <p>CYS STRUCTURAL ENGINEERS, INC. 2495 NATOMAS PARK DRIVE, SUITE 650 SACRAMENTO, CA 95833</p> | TEL (916) 920-2020 www.cyseng.com | Job No: 17133 Date: 8/16/2018 Page: 1 of 9 |
|--|--------------------------------------|--|

L:\Jobs\17133 Franke Kindred - Wall-hung Sink OPM\ACAD\STRU\S1.dwg Time:Aug16,2018-10:25am Login:camachom DimScale:1 LTScale:6



GENERAL NOTES:

1. THIS OSHPD PRE-APPROVAL OF MFR'S CERTIFICATION (OPM) IS BASED ON THE CBC 2016. THE DEMAND (DESIGN FORCES) FOR USE W/ THIS OPM SHALL BE BASED ON THE CBC 2016.
2. THIS OPM PROVIDES SUPPORTS & ATTACHMENT DESIGN & INFORMATION FOR INCORPORATION INTO A CONSTRUCTION DOCUMENT SUBMITTAL TO BE PREPARED BY A REGISTERED DESIGN PROFESSIONAL APPROPRIATELY LICENSED TO DO SO IN THE STATE OF CALIFORNIA & WHOM SHALL FURNISH THE SUBMITTAL TO THE CODE-ENFORCEMENT OFFICIAL FOR APPROVAL & PERMITTING PRIOR TO THE COMMENCEMENT OF CONSTRUCTION.
3. IT IS THE RESPONSIBILITY OF THE SEOR FOR A SITE SPECIFIC PROJECT TO VERIFY:
 - A. THE ADEQUACY OF THE NEW OR EXISTING STRUCTURE TO RESIST THE FORCES & WT SPECIFIED FOR THE COMPONENT IN ADDITION TO ALL OTHER LOADS. PROVIDE & DESIGN SUPPLEMENTARY MEMBERS AS REQ.
 - B. THAT THE INSTALLATION IS IN CONFORMANCE W/ THE 2016 CBC & W/ THE DTLS SHOWN IN THIS PRE-APPROVAL.
 - C. THAT THE SINK WT, CG LOCATION & ATTACHMENT HT TO THE MTL STUD WALL FRAMING AGREE W/ THE INFORMATION SHOWN ON THE PRE-APPROVAL DOCUMENTS.
4. EXPANSION ANCHORS INSTALLED IN NWC OR SLWC SHALL BE CARBON STEEL HILTI KB-TZ EXPANSION ANCHORS COMPLYING W/ ESR-1917 REISSUED MAY 2017 AND SUBJECT TO RENEWAL MAY 2019.
 - A. INSTALLATION: INSTALL THE EXPANSION ANCHORS IN ACCORDANCE W/ THE REQUIREMENTS GIVEN IN THE ICC EVALUATION REPORT FOR THE SPECIFIC ANCHOR & THE PARAMETERS GIVEN IN THE TABLE ON PG 3. USE CARE AND CAUTION TO AVOID CUTTING OR DAMAGING REINFORCING BARS. PROVIDE FULL THREAD ENGAGEMENT FOR NUT & WASHER.
 - B. JOB TESTING: FOR VERIFYING SATISFACTORY INSTALLATION WORKMANSHIP, PERFORM JOBSITE TESTING IN ACCORDANCE W/ THE TEST LOAD TABLE PROVIDED IN THIS DOCUMENT. TEST 50% OF THE INSTALLED ANCHORS. THE TEST LOAD MAY BE APPLIED BY ANY METHOD THAT WILL EFFECTIVELY MEASURE THE TORQUE IN THE ANCHOR SUCH AS CALIBRATED TORQUE WRENCH METHOD. ALL TESTS SHALL BE CONDUCTED IN THE PRESENCE OF THE INSPECTOR OF RECORD (IOR). IF ANY ANCHOR FAILS THE TEST, TEST ALL ANCHORS. THE TEST SHALL BE PERFORMED 24 HOURS OR MORE AFTER INSTALLATION. TESTING MAY BE DONE PRIOR TO EQUIP INSTALLATION. ALSO REFER TO CBC 1910A.5 "FIELD TESTS FOR POST-INSTALLED ANCHORS IN CONCRETE".
 - C. FAILURE/ACCEPTANCE CRITERIA: THE FOLLOWING CRITERIA APPLY FOR THE ACCEPTANCE OF INSTALLED ANCHORS:
 - TORQUE WRENCH METHOD: THE APPLICABLE TEST TORQUE MUST BE REACHED WITHIN THE FOLLOWING LIMITS:
 WEDGE TYPE: ONE-HALF (1/2) TURN OF THE NUT.



SHEET TITLE: GENERAL NOTES

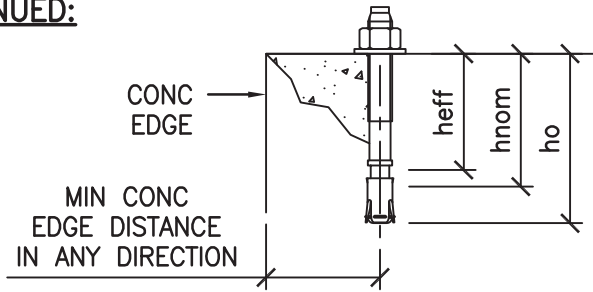
| | | |
|--|--------------------------------------|--|
| <p>CYS STRUCTURAL ENGINEERS, INC. 2495 NATOMAS PARK DRIVE, SUITE 650 SACRAMENTO, CA 95833</p> | TEL (916) 920-2020 www.cyseng.com | Job No: 17133 Date: 8/16/2018 Page: 2 of 9 |
|--|--------------------------------------|--|

L:\Jobs\17133 Franke Kindred - Wall-hung Sink OPM\ACAD\STRU\S1.dwg Time: Aug 16, 2018 - 10:25am Login: camachom DimScale: 1 LTScale: 6

FRANKE KINDRED
 MEDI-FLO INFECTION CONTROL BASIN SUPPORT & ATTACHMENT



GENERAL NOTES CONTINUED:



| ANCHOR DIA (INCH) | INSTALLATION EMBED (INCH) hnom | EFFECTIVE EMBED (INCH) heff | HOLE DEPTH (INCH) ho | MIN CONC THK (INCH) h | MIN CONC EDGE DISTANCE (INCH) | MIN ANCHOR SPCG (INCH) | TEST TORQUE (FT-LBS) |
|-------------------|--------------------------------|-----------------------------|----------------------|-----------------------|-------------------------------|------------------------|----------------------|
| 1/2 | 35/8 | 3/4 | 4 | 4 | 6 | 10 | 40 |

- THIS PRE-APPROVAL MAY BE USED AT ANY GEOGRAPHICAL LOCATION IN THE STATE OF CALIFORNIA WHERE S_{DS} IS LESS THAN OR EQ TO 2.50.
- COORDINATE THE MOUNTING ANCHOR LAYOUT W/ THE COMPONENT IN THE FIELD.
- SINK, STAND & MOUNTING HARDWARE AS NOTED SHALL BE PROVIDED BY MFR. CONTRACTOR SHALL FURNISH & INSTALL HARDWARE NOT SUPPLIED BY MFR. CONTRACTOR SHALL FURNISH & INSTALL THE MTL STUD WALL FRAMING AS SPECIFIED BY THE SEOR IN ACCORDANCE W/ THESE PRE-APPROVAL DOCUMENTS. CONTRACTOR SHALL ALSO INSTALL THE SINK'S MOUNTING HARDWARE TO THE MTL STUD WALL FRAMING AS WELL AS THE SINK ITSELF.
- DRAWING SCALES ARE NOT PROVIDED. DO NOT SCALE OFF OF THESE DRAWINGS. THE INTENT OF THESE DRAWINGS IS TO SHOW HOW TO ATTACH THE SPECIFIED SINK TO THE WALL STRUCTURE. THE REPRESENTATIONS OF THE EQUIP ARE ONLY INTENDED TO SHOW THE COORDINATION W/ THE ATTACHMENTS.
- CYS STRUCTURAL ENGINEERS, INC. IS NOT THE SEOR AS IT RELATES TO VERIFICATION OF SITE CONDITIONS & REQ OBSERVATIONS PER CHAPTER 17/17A OF THE CBC, UNLESS CYS STRUCTURAL ENGINEERS, INC. IS LISTED AS THE SEOR ON THE APPROVED CONSTRUCTION DOCUMENTS.
- ALL SMS SCREWS SHALL BE MANUFACTURED BY GRABBER CONSTRUCTION PRODUCTS PER ESR-1271



SHEET TITLE: GENERAL NOTES CONTINUED

| | | |
|--|--------------------------------------|--|
| <p>CYS STRUCTURAL ENGINEERS, INC. 2495 NATOMAS PARK DRIVE, SUITE 650 SACRAMENTO, CA 95833</p> | TEL (916) 920-2020 www.cyseng.com | Job No: 17133 Date: 8/16/2018 Page: 3 of 9 |
|--|--------------------------------------|--|

L:\Jobs\17133 Franke Kindred - Wall-hung Sink OPM\ACAD\STRU\S1.dwg Time: Aug 16, 2018 - 10:25am Login: camachom DimScale: 1 LTScale: 6



SYSTEM OVERVIEW & DESIGN CRITERIA

1. THE INSTALLATION OF THE MEDI-FLO SINK & SUPPORTING STAND ARE COVERED BY THIS OPM. THE SUPPORTING STAND IS CONNECTED TO THE (E) STRUCTURE.
2. SUPPORT & ATTACHMENT DESIGN IS PER 2016 CBC AT LRFD LEVEL FORCES.

OTHER RIGID COMPONENTS – LOW
 DEFORMABILITY MATERIALS & ATTACHMENTS
 PER TABLE 13.5-1 OF ASCE 7-10 SUPPLEMENT #1

$$z/h \leq 1.0$$

$$S_{DS} = 2.5$$

$$I_p = 1.5$$

$$a_p = 1.0$$

$$R_p = 1.5$$

$$\Omega_b = 1.5$$

W_p AS NOTED ON DRAWINGS

SEISMIC LOADS (LRFD)

$$F_p = 3.0 W_p$$

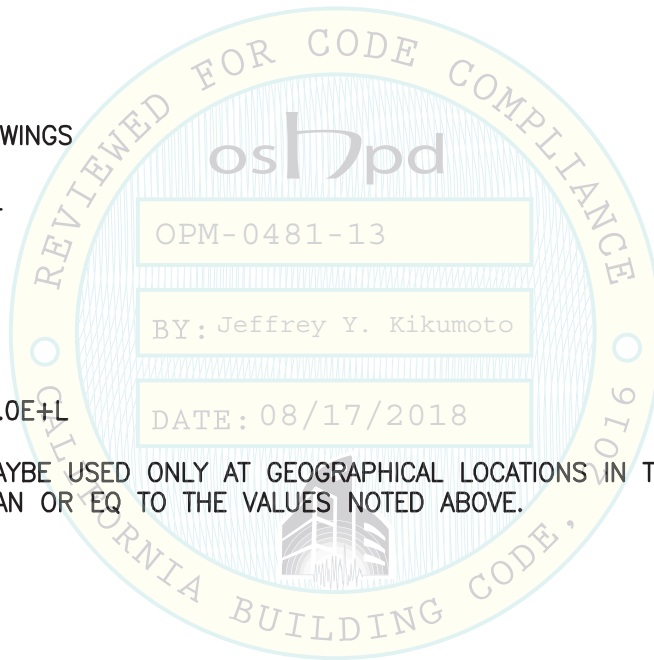
$$F_v = 0.50 W_p$$

LOAD COMBINATIONS

$$1.2D+1.6L$$

$$(1.2+0.2S_{DS})D+1.0E+L$$

3. THIS PRE-APPROVAL MAYBE USED ONLY AT GEOGRAPHICAL LOCATIONS IN THE STATE OF CALIFORNIA WHERE S_{DS} IS LESS THAN OR EQ TO THE VALUES NOTED ABOVE.



SHEET TITLE: SYSTEM OVERVIEW & DESIGN CRITERIA

| | | |
|--|--------------------------------------|--|
| <p>CYS STRUCTURAL ENGINEERS, INC. 2495 NATOMAS PARK DRIVE, SUITE 650 SACRAMENTO, CA 95833</p> | TEL (916) 920-2020 www.cyseng.com | Job No: 17133 Date: 8/16/2018 Page: 4 of 9 |
|--|--------------------------------------|--|

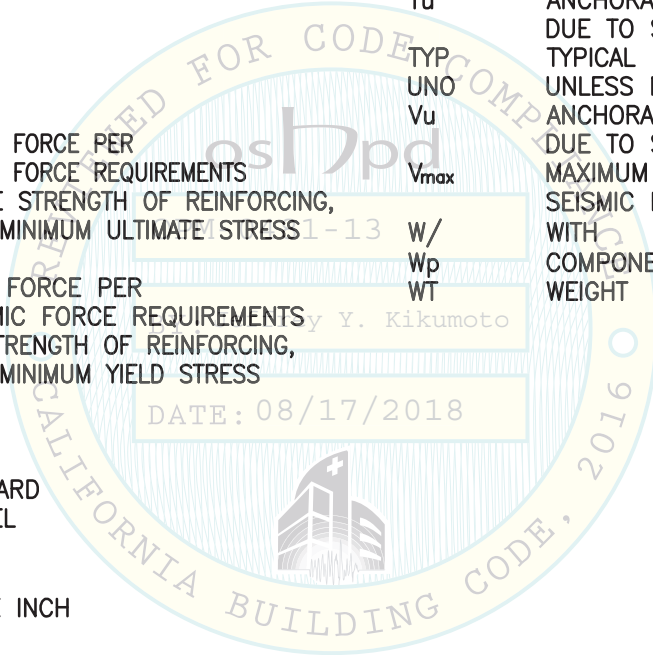
L:\Jobs\17133 Franke Kindred - Wall-hung Sink OPM\ACAD\STRU\S1.dwg Time:Aug16,2018-10:25am Login:camachom Dimscale:1 LTScale:6

FRANKE KINDRED
MEDI-FLO INFECTION CONTROL BASIN SUPPORT & ATTACHMENT



ABBREVIATIONS:

| | | | |
|---------|--|-------|--|
| ASCE | AMERICAN SOCIETY OF CIVIL ENGINEERS | OPM | OSHPD PRE-APPROVAL OF MANUFACTURER'S CERTIFICATION |
| ASME | AMERICAN SOCIETY OF MECHANICAL ENGINEERS | OPP | OPPOSITE |
| ASTM | AMERICAN SOCIETY FOR TESTING & MATERIALS | OSHPD | OFFICE OF STATEWIDE HEALTH PLANNING & DEVELOPMENT |
| BOTT | BOTTOM | PG | PAGE |
| BTW | BETWEEN | PL | PLATE |
| CBC | CALIFORNIA BUILDING CODE | REQ | REQUIRED |
| CG | CENTER OF GRAVITY | SCHED | SCHEDULE |
| CLR | CLEAR OR CLEARANCE | SDST | SELF-DRILLING SELF-TAPPING |
| CL | CENTERLINE | SEOR | STRUCTURAL ENGINEER OF RECORD |
| CONN | CONNECTION | SMS | SHEET METAL SCREW |
| DIA (∅) | DIAMETER | SQ | SQUARE |
| DIM | DIMENSION | SS | STAINLESS STEEL |
| DTL | DETAIL | THK | THICK OR THICKNESS |
| (E) | EXISTING CONDITION | THRD | THREAD OR THREADED |
| EA | EACH | Tu | ANCHORAGE TENSION REACTION DUE TO SEISMIC FORCE |
| ELEV | ELEVATION | TYP | TYPICAL |
| EQ | EQUAL | UNO | UNLESS NOTED OTHERWISE |
| EQUIP | EQUIPMENT | Vu | ANCHORAGE SHEAR REACTION DUE TO SEISMIC FORCE |
| ES | EACH SIDE | Vmax | MAXIMUM SHEAR DUE TO SEISMIC FORCE |
| FF | FINISHED FLOOR | W/ | WITH |
| Fp | HORIZONTAL SEISMIC FORCE PER ASCE 7-10 SEISMIC FORCE REQUIREMENTS | Wp | COMPONENT OPERATING-WEIGHT |
| Fu | SPECIFIED ULTIMATE STRENGTH OF REINFORCING, PSI OR SPECIFIED MINIMUM ULTIMATE STRESS OF STEEL, KSI | WT | WEIGHT |
| Fv | VERTICAL SEISMIC FORCE PER ASCE 7-10 SEISMIC FORCE REQUIREMENTS | | |
| Fy | SPECIFIED YIELD STRENGTH OF REINFORCING, PSI OR SPECIFIED MINIMUM YIELD STRESS OF STEEL, KSI | | |
| GA | GAUGE | | |
| GAL | GALLON | | |
| GWB | GYPSON WALL BOARD | | |
| HRS | HOT-ROLLED STEEL | | |
| HT | HEIGHT | | |
| IN (") | INCH | | |
| KSI | KIPS PER SQUARE INCH | | |
| LBS | POUNDS | | |
| LRFD | LOAD & RESISTANCE FACTOR DESIGN | | |
| MAX | MAXIMUM | | |
| MFR | MANUFACTURER | | |
| MIN | MINIMUM | | |
| MTL | METAL | | |
| NTS | NOT TO SCALE | | |
| NO.(#) | NUMBER OR POUND(S) | | |



SHEET TITLE: ABBREVIATIONS



CYS STRUCTURAL ENGINEERS, INC.

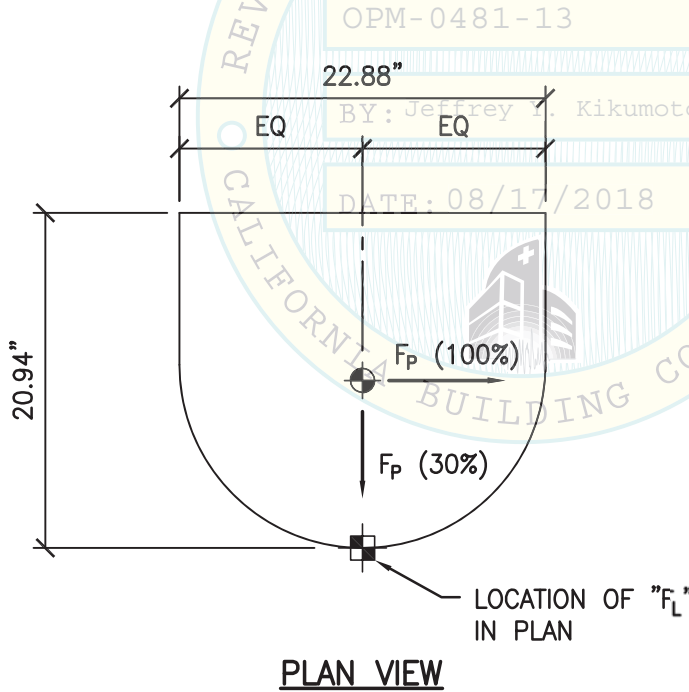
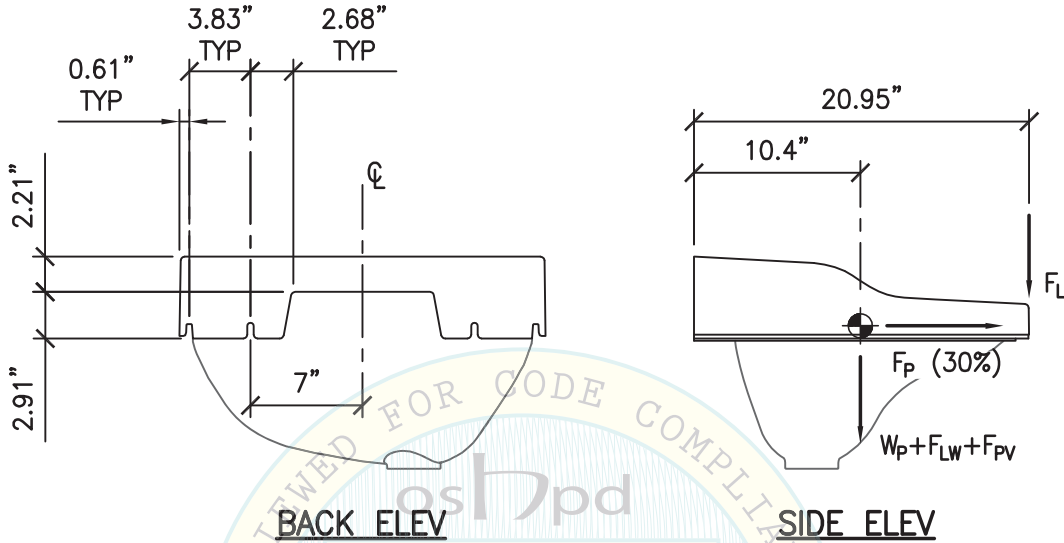
2495 NATOMAS PARK DRIVE, SUITE 650
SACRAMENTO, CA 95833

TEL (916) 920-2020
www.cyseng.com

| | |
|---------|-----------|
| Job No: | 17133 |
| Date: | 8/16/2018 |
| Page: | 5 of 9 |

L:\Jobs\17133 Franke Kindred - Wall-hung Sink OPM\ACAD\STRU\S1.dwg Time: Aug 16, 2018 - 10:25am Login: camachom DimScale: 1 LTScale: 6

FRANKE KINDRED
 MEDI-FLO INFECTION CONTROL BASIN SUPPORT & ATTACHMENT



| SINK LOADS | | |
|------------|-----------|----------------|
| NAME | LOAD, LBS | TYPE |
| W_p | 42# | DEAD |
| F_L | 250# | LIVE |
| F_{LW} | 46# | LIVE, WATER WT |
| F_p | 126# | EQ |
| F_{PV} | 21# | EQ |



SHEET TITLE: SINK
 DIMENSIONS & PROPERTIES

CYS STRUCTURAL ENGINEERS, INC.
 2495 NATOMAS PARK DRIVE, SUITE 650
 SACRAMENTO, CA 95833
 TEL (916) 920-2020
 www.cyseng.com

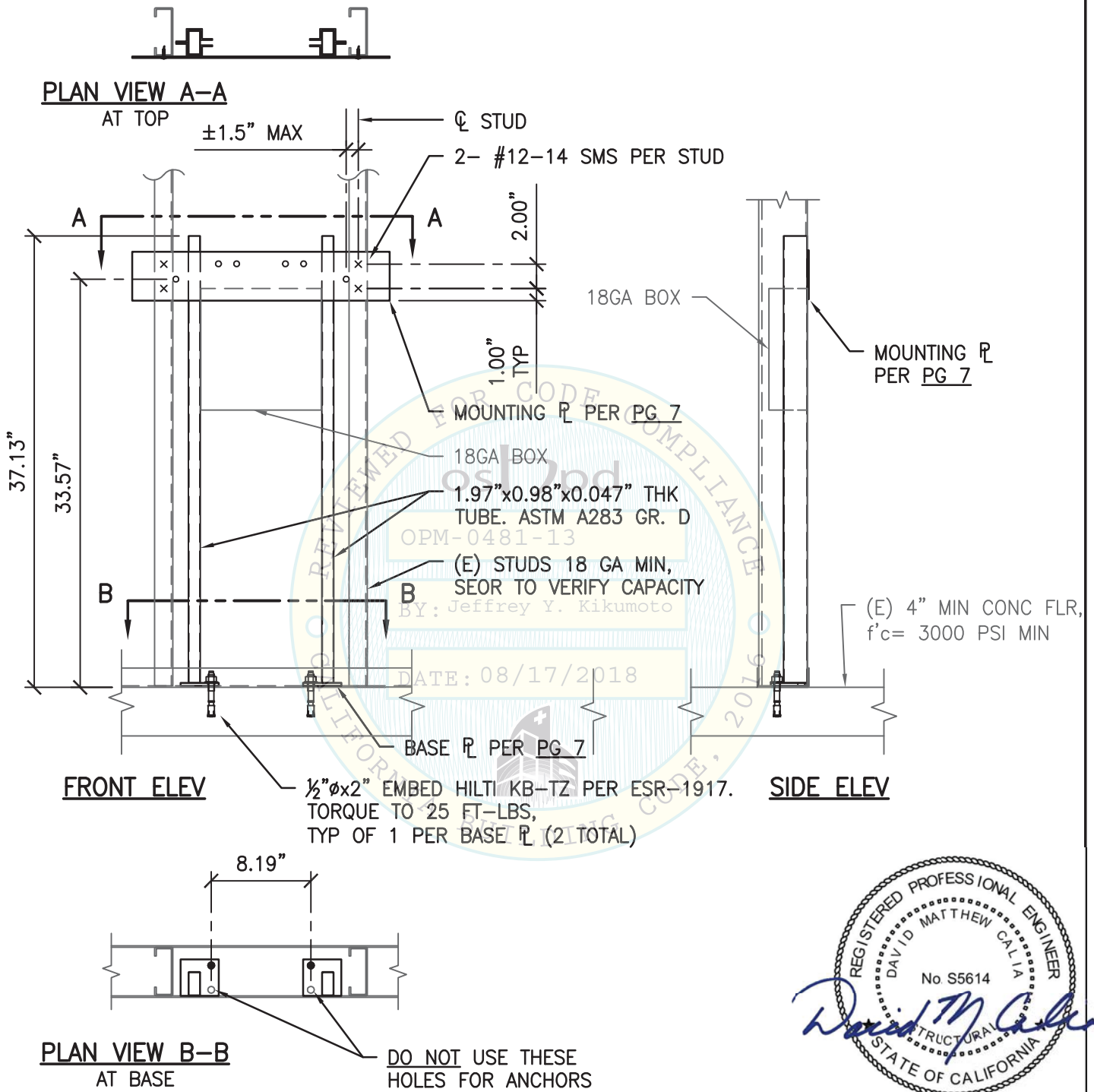
| | |
|---------|-----------|
| Job No: | 17133 |
| Date: | 8/16/2018 |
| Page: | 6 of 9 |

L:\Jobs\17133 Franke Kindred - Wall-hung Sink OPM\ACAD\STRU\S1.dwg Time:Aug16,2018-10:25am Login:camachom DimScale:1 LTScale:6

FRANKE KINDRED
 MEDI-FLO INFECTION CONTROL BASIN SUPPORT & ATTACHMENT



L:\Jobs\17133 Franke Kindred - Wall-hung Sink OPM\ACAD\STRU\S1.dwg Time:Aug16,2018-10:25am Login:camachom DimScale:1 LTScale:6



SHEET TITLE: STAND

DIMENSIONS & PROPERTIES

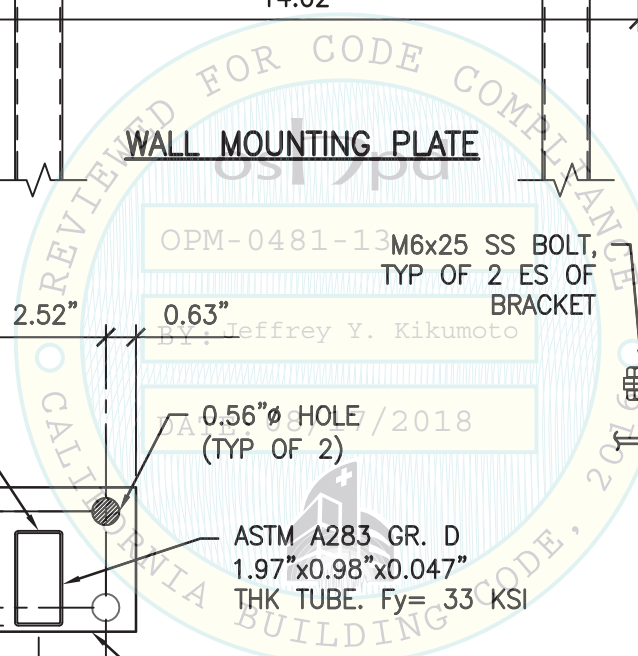
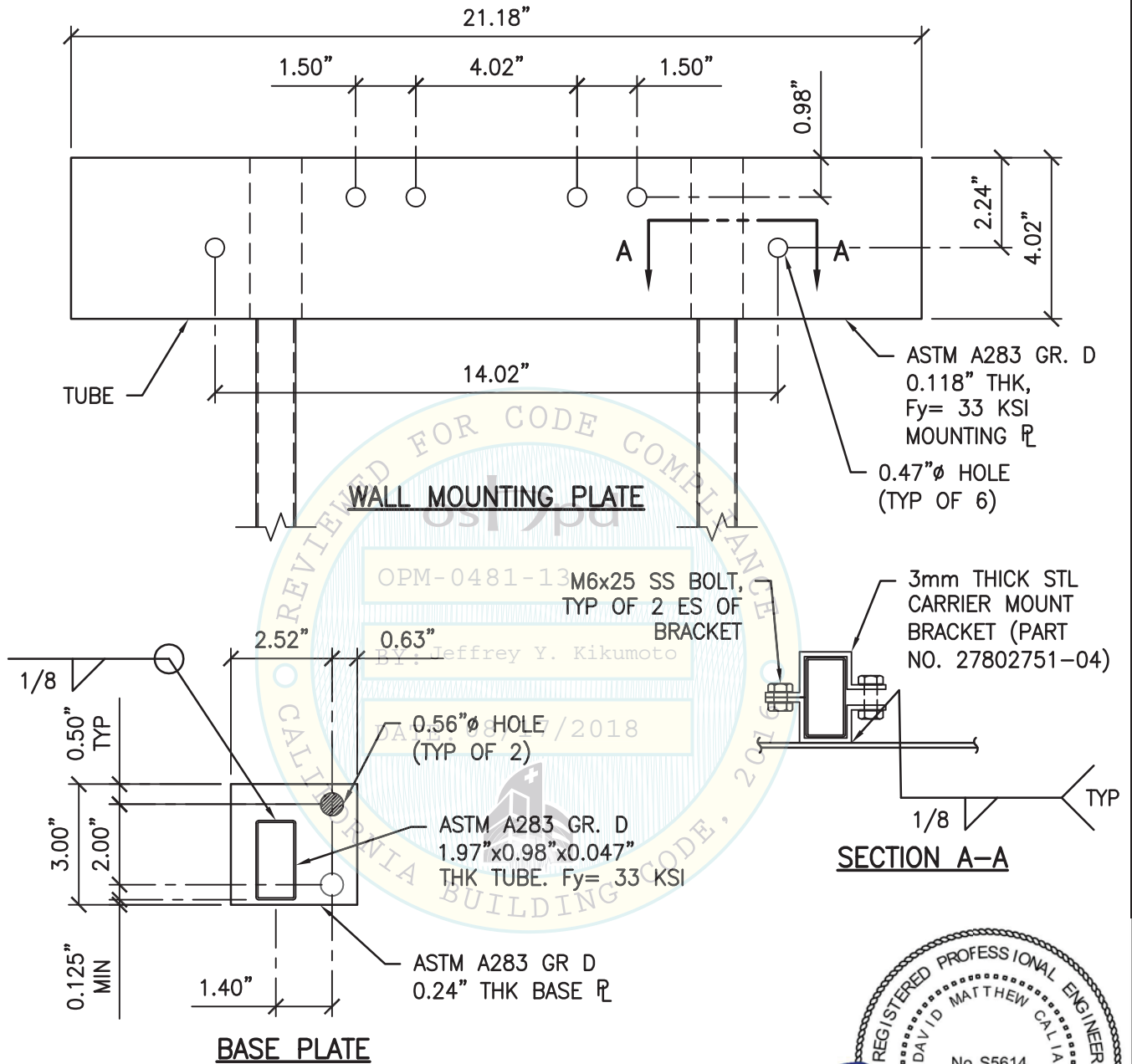
CYS STRUCTURAL ENGINEERS, INC.

2495 NATOMAS PARK DRIVE, SUITE 650
 SACRAMENTO, CA 95833

TEL (916) 920-2020
 www.cyseng.com

| | |
|---------|-----------|
| Job No: | 17133 |
| Date: | 8/16/2018 |
| Page: | 7 of 9 |

FRANKE KINDRED
 MEDI-FLO INFECTION CONTROL BASIN SUPPORT & ATTACHMENT



David M. Allen

SHEET TITLE: STAND

DIMENSIONS & PROPERTIES

CYS STRUCTURAL ENGINEERS, INC.

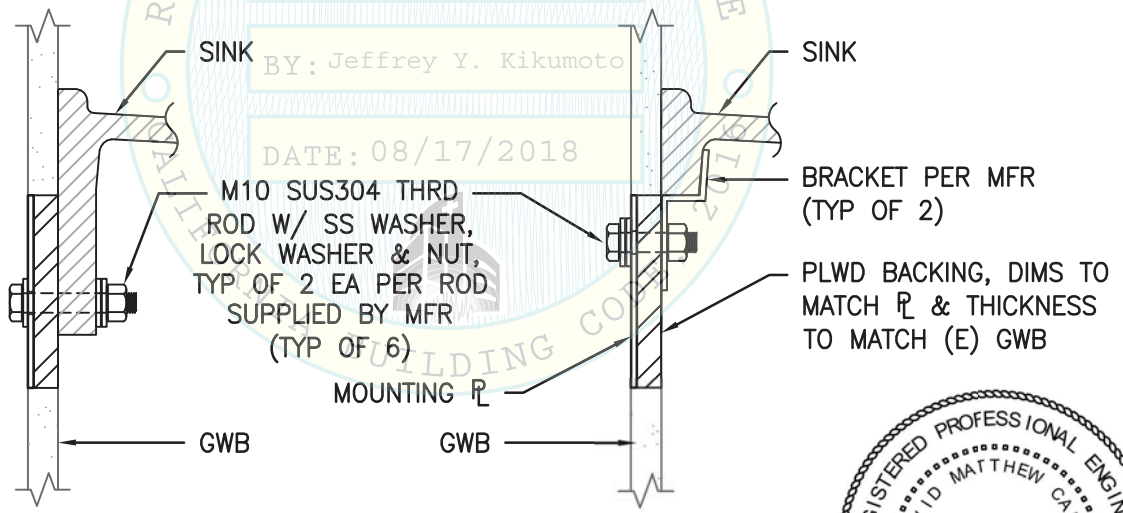
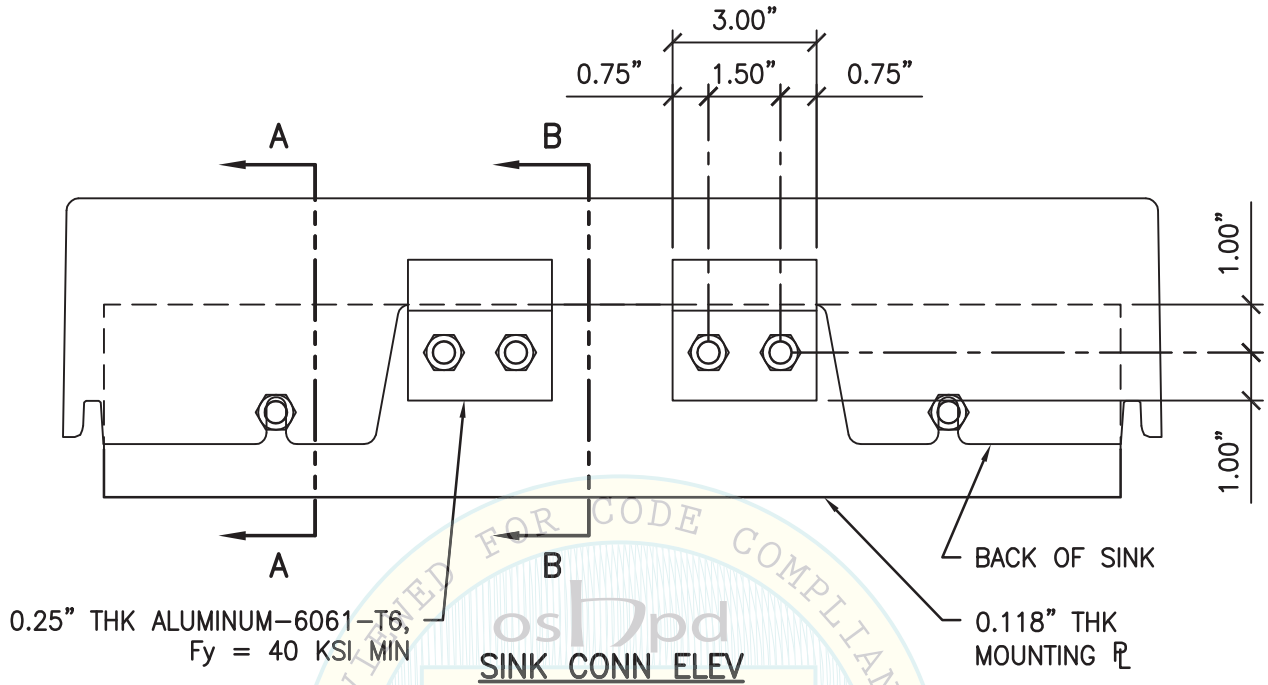
2495 NATOMAS PARK DRIVE, SUITE 650
 SACRAMENTO, CA 95833

TEL (916) 920-2020
 www.cyseng.com

| | |
|---------|-----------|
| Job No: | 17133 |
| Date: | 8/16/2018 |
| Page: | 8 of 9 |

L:\Jobs\17133 Franke Kindred - Wall-hung Sink OPM\ACAD\STRU\S1.dwg Time:Aug16,2018-10:25am Login:camachom DimScale:1 LTScale:6

FRANKE KINDRED
 MEDI-FLO INFECTION CONTROL BASIN SUPPORT & ATTACHMENT



SECTION A-A

SECTION B-B



SHEET TITLE: SINK & STAND CONNECTION DETAILS



CYS STRUCTURAL ENGINEERS, INC.

2495 NATOMAS PARK DRIVE, SUITE 650
 SACRAMENTO, CA 95833

TEL (916) 920-2020
 www.cyseng.com

| | |
|---------|-----------|
| Job No: | 17133 |
| Date: | 8/16/2018 |
| Page: | 9 of 9 |

L:\Jobs\17133 Franke Kindred - Wall-hung Sink OPM\ACAD\STRU\S1.dwg Time:Aug16,2018-10:25am Login:camachom DimScale:1 LTScale:6