



OFFICE OF STATEWIDE HEALTH PLANNING AND DEVELOPMENT
FACILITIES DEVELOPMENT DIVISION

APPLICATION FOR OSHPD PREAPPROVAL
OF MANUFACTURER'S CERTIFICATION (OPM)

OFFICE USE ONLY
APPLICATION #: OPM-0482-19

OSHPD Preapproval of Manufacturer's Certification (OPM)

Type: [X] New [ ] Renewal [ ] Update to Pre-CBC 2013 OPA Number:

Manufacturer Information

Manufacturer: Amico Clinical Solutions
Manufacturer's Technical Representative: Agustin Garcia de Paredes
Mailing Address: 55 East Wilmot St. Richmond Hill, ON, L4B 1A3
Telephone: 905-764-0800 ext. 5256 Email: AGarciadeParedes@amico.com

Product Information

Product Name: Spectra Series Pendants
Product Type: Pendants for medgas, electrical & data outlets, lighting, Motorized Patient Lift Pendant (PLP)
Product Model Number: Single Light Arm Pendant, Single Heavy Arm Pendant with Optional PLP, V Series (Vertical Movement) Pendant, Tandem Arm Pendants (Light Arm & Heavy Arm) with Optional PLP, Tandem Arm Pendants (Light Arm with V Series)
General Description: All Single & Tandem Pendants are supported by steel flange plates, mounting plates, and structural plates that are supported via steel brace details above the room ceiling that are supported by tube steel members that in turn are attached to supporting structural steel.

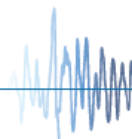
Applicant Information

Applicant Company Name: Amico Clinical Solutions
Contact Person: Agustin Garcia de Paredes
55 East Wilmot St. Richmond Hill, ON, L4B 1A3
Telephone: 905-764-0800 ext. 5256 Email: AGarciadeParedes@amico.com

I hereby agree to reimburse the Office of Statewide Health Planning and Development review fees in accordance with the California Administrative Code, 2016.

Signature of Applicant: [Signature] Date: 26-Mar-2018
Title: Global Manager QA/RA Company Name: Amico Clinical Solutions Corp.

"Access to Safe, Quality Healthcare Environments that Meet California's Diverse and Dynamic Needs"





**OFFICE OF STATEWIDE HEALTH PLANNING AND DEVELOPMENT  
FACILITIES DEVELOPMENT DIVISION**

**Registered Design Professional Preparing Engineering Recommendations**

Company Name: CYS Structural Engineers, Inc.

Name: Dieter T. Siebald California License Number: S4346

Mailing Address: 2495 Natomas Park Drive, #650, Sacramento, CA 95833

Telephone: 916-920-2020 Email: dieters@cyseng.com

**OSHPD Special Seismic Certification Preapproval (OSP)**

- Special Seismic Certification is preapproved under OSP-  
(Separate application for OSP is required)
- Special Seismic Certification is not preapproved

**Certification Method(s)**

- Testing in accordance with:  ICC-ES AC156  FM 1950-16
- Other\* (Please Specify): \_\_\_\_\_

\*Use of criteria other than those adopted by the California Building Standards Code, 2016 (CBSC 2016) for component supports and attachments are not permitted. For distribution system, interior partition wall, and suspended ceiling seismic bracings, test criteria other than those adopted in the CBSC 2016 may be used when approved by OSHPD prior to testing.

- Analysis
- Experience Data
- Combination of Testing, Analysis, and/or Experience Data (Please Specify): \_\_\_\_\_

**List of Attachments Supporting the Manufacturer's Certification**

- Test Report  Drawings  Calculations  Manufacturer's Catalog
- Other(s) (Please Specify): \_\_\_\_\_

**OFFICE USE ONLY – OSHPD APPROVAL VALID FOR CBC 2016 & ALL PRE-2016 CODE BASED PROJECTS**

Signature: *Jeffrey Kikumoto* Date: 11/27/2019

Print Name: Jeffrey Kikumoto

Title: Structural Engineer

Condition of Approval (if applicable): \_\_\_\_\_

\_\_\_\_\_

\_\_\_\_\_

"Access to Safe, Quality Healthcare Environments that Meet California's Diverse and Dynamic Needs"

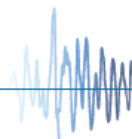
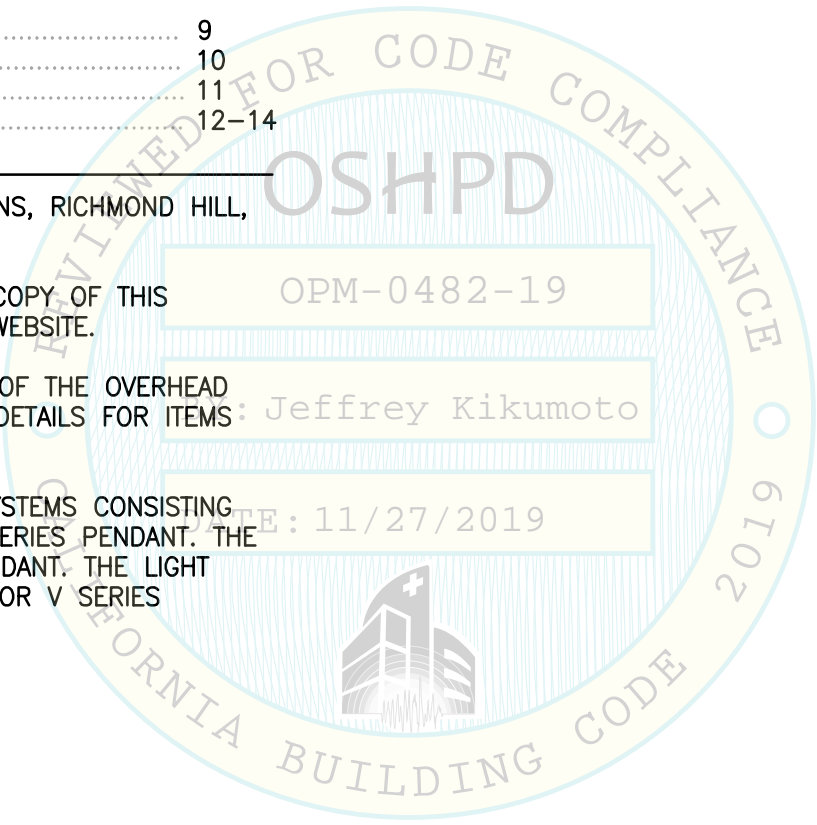


TABLE OF CONTENTS  
OPM-0482-19

	PAGE
GENERAL NOTES .....	2
ABBREVIATIONS .....	3
DESIGN CRITERIA .....	3
SINGLE LIGHT ARM PENDANT .....	4
SINGLE HEAVY ARM PENDANT W/ OPTIONAL PATIENT LIFT PENDANT (PLP) .....	5
V SERIES (VERTICAL MOVEMENT) PENDANT .....	6
TANDEM ARM PENDANTS (LIGHT ARM & HEAVY ARM) W/ OPTIONAL PATIENT LIFT PENDANT (PLP) .....	7
TANDEM ARM PENDANTS (LIGHT ARM & V SERIES) .....	8
<b>ATTACHMENT DETAILS</b>	
PENDANT ASSEMBLY DETAILS .....	9
SINGLE PENDANT PLATE DETAILS .....	10
TANDEM PENDANT PLATE DETAILS .....	11
BRACE ATTACHMENT DETAILS .....	12-14

- NOTES:**
1. THESE DRAWINGS ARE PREPARED FOR AMICO CLINICAL SOLUTIONS, RICHMOND HILL, ONTARIO, CANADA.
  2. THE CONTRACTOR & INSPECTOR OF RECORD SHALL OBTAIN A COPY OF THIS PRE-APPROVAL FROM THE OSHPD PRE-APPROVAL PROGRAMS WEBSITE.
  3. THIS PRE-APPROVAL COVERS THE SUPPORTS & ATTACHMENTS OF THE OVERHEAD PENDANTS TO THE SUPPORTING STRUCTURE. SEE ATTACHMENT DETAILS FOR ITEMS SUPPLIED BY AMICO OR CONTRACTOR.
  4. THE AMICO SPECTRA SERIES PENDANTS ARE OVERHEAD ARM SYSTEMS CONSISTING OF A LIGHT ARM PENDANT, A HEAVY ARM PENDANT AND A V SERIES PENDANT. THE HEAVY ARM PENDANT INCLUDES AN OPTIONAL PATIENT LIFT PENDANT. THE LIGHT ARM PENDANT CAN BE USED TOGETHER WITH THE HEAVY ARM OR V SERIES PENDANTS TO FORM THE TANDEM ARM PENDANTS.

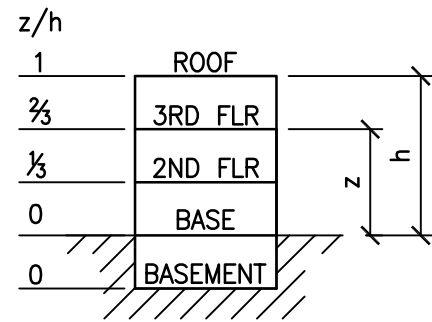


L:\Jobs\17104 Amico - Overhead Pendants OPM-0482-19\STRU\S1.dwg Time:Nov27,2019 - 10:50am Login:camachom DimScale:1 LTScale:6

SHEET TITLE: TABLE OF CONTENTS				Rev	Description	Date	Job No: 17104		
<b>AMICO CLINICAL SOLUTIONS</b> SPECTRA SERIES PENDANTS				<b>CYS STRUCTURAL ENGINEERS, INC.</b> 2495 NATOMAS PARK DRIVE, SUITE 650 SACRAMENTO, CA 95833				TEL (916) 920-2020 www.cyseng.com	
								Date: 11/27/2019	
								By: MTC	
								Page: 1 of 14	

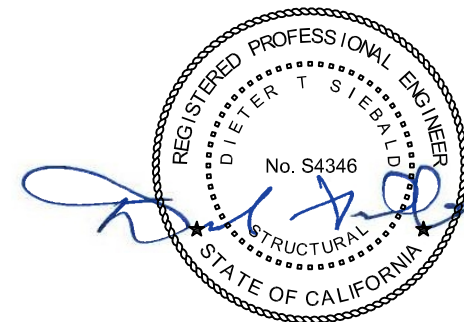
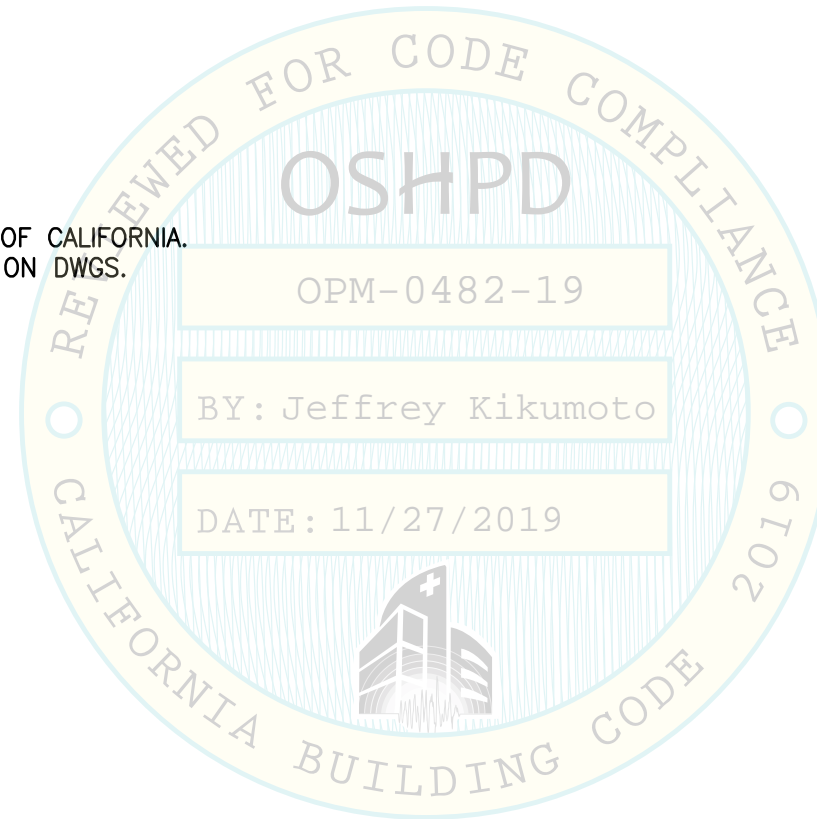
**GENERAL NOTES:**

1. THIS OSHPD PRE-APPROVAL OF MANUFACTURER'S CERTIFICATION (OPM) IS BASED ON THE CBC 2019. THE DEMAND (DESIGN FORCES) FOR USE WITH THIS OPM SHALL BE BASED ON THE CBC 2019.
2. IT IS THE RESPONSIBILITY OF THE STRUCTURAL ENGINEER OF RECORD (SEOR) OF A SITE SPECIFIC PROJECT TO VERIFY:
  - A. THE ADEQUACY OF THE NEW OR EXISTING STRUCTURE TO RESIST THE FORCES & WT SPECIFIED FOR EA EQUIP IN ADDITION TO ALL OTHER LOADS. PROVIDE & DESIGN SUPPLEMENTARY MEMBERS AS REQ.
  - B. THAT THE INSTALLATION IS IN CONFORMANCE W/ THE CBC 2019 & W/ THE DETAILS SHOWN IN THIS PRE-APPROVAL.
  - C. THAT THE ACTUAL EQUIP'S WT, CENTER OF GRAVITY (CG) LOCATION, SUPPORT & ATTACHMENT LOCATIONS, SUPPORT & ATTACHMENT DETAILS, & THE MATERIAL & GA OF THE EQUIP WHERE ATTACHMENTS ARE MADE, AGREE W/ THE INFORMATION SHOWN ON THE PRE-APPROVAL DOCUMENTS.
3. A SINGLE CASE OF ATTACHMENT IS SPECIFIED & PRESENTED IN THIS PRE-APPROVAL:



ATTACHMENT DETAILS LOCATED AT UPPER FLRS & ROOF ABV THE BASE OF A BLDG. THE FLRS & ROOFS ARE ASSUMED TO BE BUILT OF A MIN 3/4" SLWC TOPPING OVER 3" DEEP MIN 20 GA MTL DECK (f'c = 3000 PSI, MIN). FOR z/h RATIOS & S<sub>DS</sub> VALUES SEE DESIGN CRITERIA & COMPONENT DWGS.

4. THIS PRE-APPROVAL MAY BE USED AT ANY GEOGRAPHICAL LOCATION IN THE STATE OF CALIFORNIA. WHERE S<sub>DS</sub> IS LESS THAN OR EQ TO MAX S<sub>DS</sub> VALUE AT EA COMPONENT AS NOTED ON DWGS.



L:\Jobs\17104 Amico - Overhead Pendants OPM-0482-13\STRU\S1.dwg Time:Nov27,2019 - 10:50am Login:camachom DimScale:1 LTScale:6

SHEET TITLE: GENERAL NOTES

**Amico** AMICO CLINICAL SOLUTIONS  
SPECTRA SERIES PENDANTS



**CYS STRUCTURAL ENGINEERS, INC.**  
2495 NATOMAS PARK DRIVE, SUITE 650  
SACRAMENTO, CA 95833  
TEL (916) 920-2020  
www.cyseng.com

Rev	Description	Date	Job No:	17104
			Date:	11/27/2019
			By:	MTC
			Page:	2 of 14



**ABBREVIATIONS:**

∠ ANGLE  
 ABV ABOVE  
 AISC AMERICAN INSTITUTE FOR STEEL CONSTRUCTION  
 AISI AMERICAN IRON & STEEL INSTITUTE  
 ASCE AMERICAN SOCIETY OF CIVIL ENGINEERS  
 ASTM AMERICAN SOCIETY FOR TESTING & MATERIALS  
 BLDG BUILDING  
 BLW BELOW  
 BM BEAM  
 BRCC BRACING  
 BYD BEYOND  
 CBC CALIFORNIA BUILDING CODE  
 CG CENTER OF GRAVITY  
 CLG CEILING  
 CONC CONCRETE  
 CRS COLD-ROLLED STEEL  
 CSA CANADIAN STANDARDS ASSOCIATION  
 Ⓞ CENTERLINE  
 DBL DOUBLE  
 DEG DEGREE  
 DIA (∅) DIAMETER  
 DTL DETAIL  
 DWG DWG  
 (E) EXISTING  
 EA EACH  
 ELEV ELEVATION  
 EQ EQUAL  
 EQUIP EQUIPMENT  
 ES EACH SIDE  
 f'c MINIMUM ULTIMATE COMPRESSIVE STRENGTH OF CONCRETE  
 F<sub>B</sub> BREAK FORCE  
 FIN FINISH  
 FLR FLOOR  
 F<sub>p</sub> HORIZONTAL SEISMIC FORCE PER ASCE 7-16 SEISMIC FORCE REQUIREMENTS  
 FRMG FRAMING  
 FT (') FOOT/FEET  
 F<sub>PV</sub> VERTICAL SEISMIC FORCE PER ASCE 7-16 SEISMIC FORCE REQUIREMENTS  
 F<sub>y</sub> SPECIFIED YIELD STRENGTH OF REINFORCING, PSI OR SPECIFIED MINIMUM YIELD STRESS OF STEEL, KSI  
 GA GAUGE  
 HORIZ HORIZONTAL  
 HSS HOLLOW STRUCTURAL SECTION  
 HT HEIGHT  
 IN (") INCH  
 KSI KIPS PER SQUARE INCH

LBS POUNDS  
 LRFD LOAD & RESISTANCE FACTOR DESIGN  
 mm MILLIMETER  
 MAX MAXIMUM  
 MIN MINIMUM  
 MTL METAL  
 NO. (#) NUMBER OR POUNDS  
 OP OPERATING  
 OPG OPENING  
 OPM OSPHD PRE-APPROVAL OF MANUFACTURER'S CERTIFICATION  
 OSHPD OFFICE OF STATEWIDE HEALTH PLANNING & DEVELOPMENT  
 PG PAGE  
 Ⓡ PLATE  
 PLP PATIENT LIFT PENDANT  
 PSI POUNDS PER SQUARE INCH  
 REQ REQUIRED  
 SEOR STRUCTURAL ENGINEER OF RECORD  
 SIM SIMILAR  
 SLWC SAND-LIGHTWEIGHT CONCRETE  
 SQ SQUARE  
 STD STANDARD  
 STL STEEL  
 STRUC STRUCTURAL  
 THK THICK/THICKNESS  
 THRD THREAD OR THREADED  
 T<sub>u</sub> ANCHORAGE TENSION REACTION DUE TO SEISMIC FORCE AT LRFD  
 TYP TYPICAL  
 UNO UNLESS NOTED OTHERWISE  
 VERT VERTICAL  
 V<sub>u</sub> ANCHORAGE SHEAR REACTION DUE TO SEISMIC FORCE AT LRFD  
 W<sub>p</sub> COMPONENT OPERATING WEIGHT FOR HORIZONTAL SEISMIC FORCE. INCLUDES 20% OF LIVE LOAD, WHERE OCCURS  
 W<sub>PV</sub> COMPONENT OPERATING WEIGHT FOR VERTICAL SEISMIC FORCE. INCLUDES 100% OF LIVE LOAD, WHERE OCCURS  
 WT WEIGHT  
 W/ WITH  
 W/O WITHOUT

**SUPPORT & ATTACHMENT DESIGN CRITERIA**

DESIGN FOR OVERHEAD PENDANT MOUNTING SYSTEM IS PER 2019 CBC AT LRFD LEVEL FORCES.

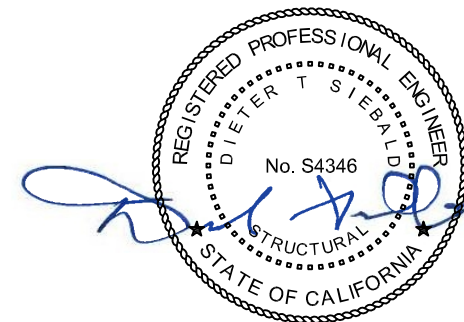
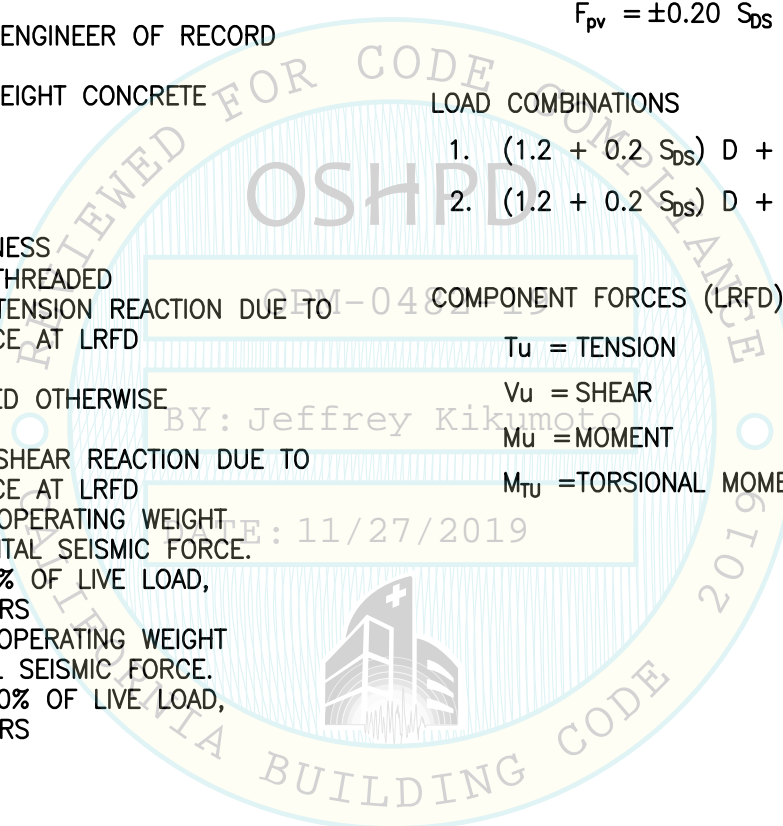
W<sub>p</sub> = SEE PGS 4-8  
 W<sub>PV</sub> = SEE PGS 4-8  
 z/h = SEE PGS 4-8  
 S<sub>DS</sub> = SEE PGS 4-8  
 I<sub>p</sub> = 1.5  
 α<sub>p</sub> = 2.5  
 R<sub>p</sub> = 2.5    Ω<sub>o</sub> = 2.0 (FOR ATTACHMENT TO CONC ONLY)  
 MIN F<sub>p</sub> = 0.30 S<sub>DS</sub> I<sub>p</sub> W<sub>p</sub>  
 MAX F<sub>p</sub> = 1.60 S<sub>DS</sub> I<sub>p</sub> W<sub>p</sub>  
 F<sub>p</sub> = 0.4α<sub>p</sub> S<sub>DS</sub> I<sub>p</sub> W<sub>p</sub> (1+2 z/h)/R<sub>p</sub>  
 F<sub>PV</sub> = ±0.20 S<sub>DS</sub> W<sub>PV</sub>

**LOAD COMBINATIONS**

- (1.2 + 0.2 S<sub>DS</sub>) D + 1.0L + 1.0E (WHERE LIVE LOAD OCCURS)
- (1.2 + 0.2 S<sub>DS</sub>) D + 1.0E

**COMPONENT FORCES (LRFD)**

T<sub>u</sub> = TENSION  
 V<sub>u</sub> = SHEAR  
 M<sub>u</sub> = MOMENT  
 M<sub>TU</sub> = TORSIONAL MOMENT



SHEET TITLE: ABBREVIATIONS & DESIGN CRITERIA

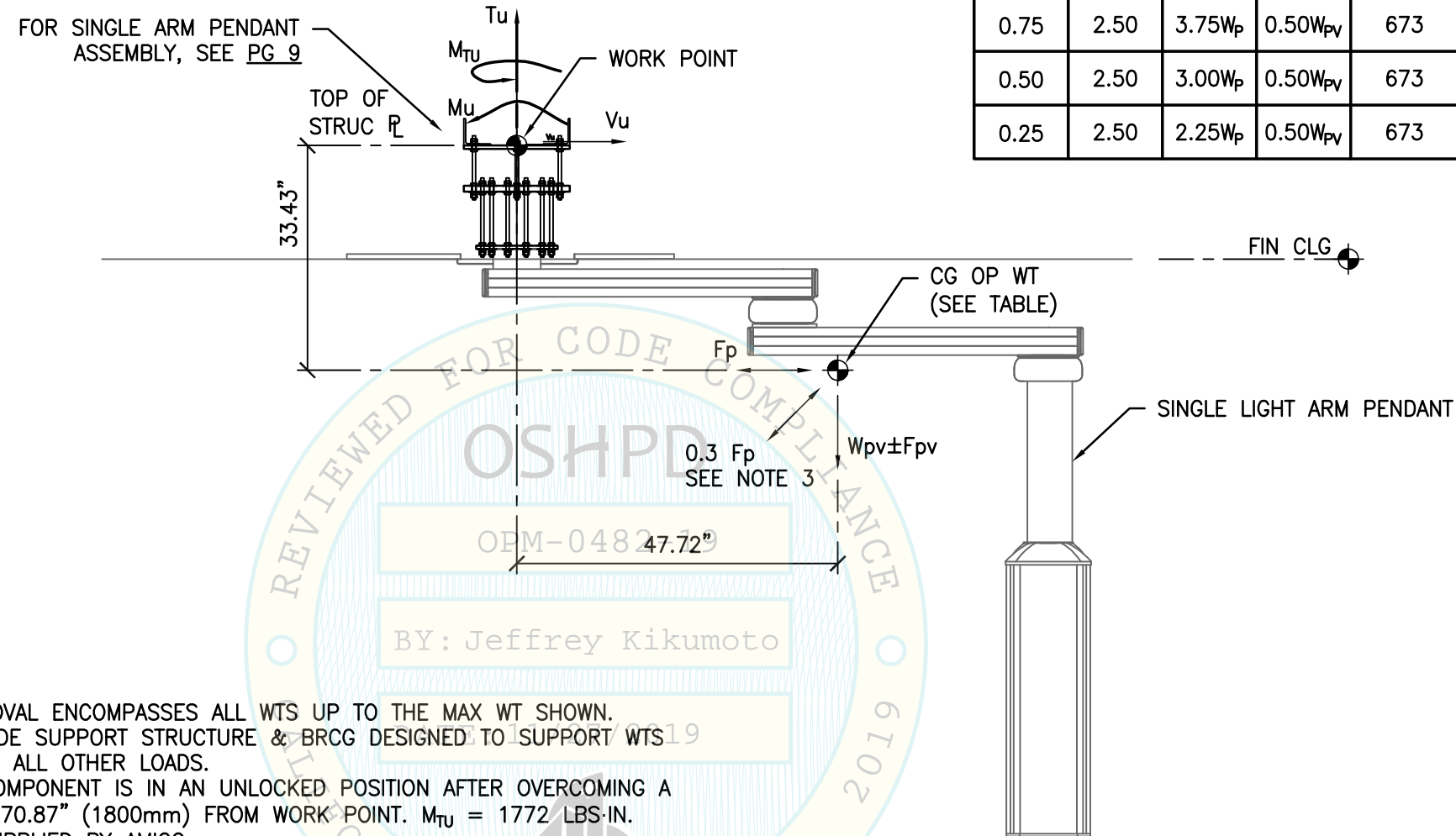
AMICO CLINICAL SOLUTIONS  
 SPECTRA SERIES PENDANTS



**CYS STRUCTURAL ENGINEERS, INC.**  
 2495 NATOMAS PARK DRIVE, SUITE 650  
 SACRAMENTO, CA 95833  
 TEL (916) 920-2020  
 www.cyseng.com

Rev	Description	Date	Job No:	17104
			Date:	11/27/2019
			By:	MTC
			Page:	3 of 14

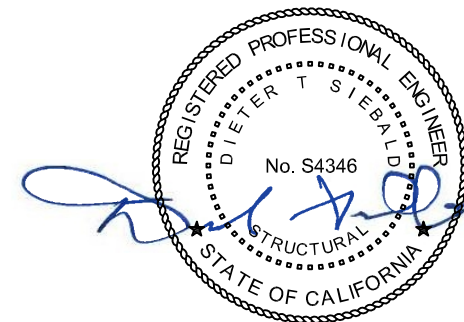
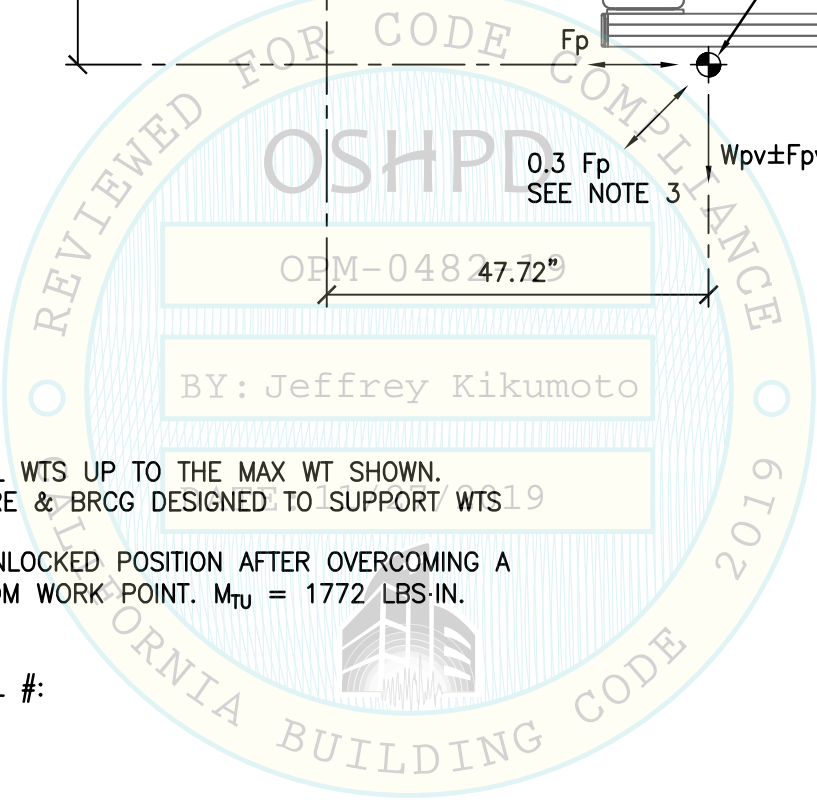
LRFD FORCES							
$z/h \leq$	$S_{DS} \leq$	$F_p$	$F_{PV}$	$T_U$ (LBS)	$V_U$ (LBS)	$M_U$ (LBS·IN)	$M_{TU}$ (LBS·IN)
1.0	2.50	$4.50W_p$	$0.50W_{PV}$	673	1782	91697	1772
0.75	2.50	$3.75W_p$	$0.50W_{PV}$	673	1485	81769	1772
0.50	2.50	$3.00W_p$	$0.50W_{PV}$	673	1188	71840	1772
0.25	2.50	$2.25W_p$	$0.50W_{PV}$	673	891	61911	1772



COMPONENT WT (LBS)	
$W_p$	396
$W_{PV}$	396

**NOTES:**

- CG WT IS A MAX. THIS PRE-APPROVAL ENCOMPASSES ALL WTS UP TO THE MAX WT SHOWN.
- SEOR FOR THE BLDG SHALL PROVIDE SUPPORT STRUCTURE & BRGG DESIGNED TO SUPPORT WTS & FORCES SHOWN, IN ADDITION TO ALL OTHER LOADS.
- THIS OPM CONSIDERS THAT THE COMPONENT IS IN AN UNLOCKED POSITION AFTER OVERCOMING A BRAKE FORCE ( $F_B$ ) OF 25 LBS AT 70.87" (1800mm) FROM WORK POINT.  $M_{TU} = 1772$  LBS·IN.
- $W_p$  INCLUDES WT OF ALL ITEMS SUPPLIED BY AMICO.
- UNIT IS FREE TO ROTATE 360 DEGREES AROUND.
- THIS DRAWING QUALIFIES THE FOLLOWING THIRTEEN MODEL #:
  - LP-L-11NN-N-E
  - LP-L-21NN-N-E
  - LP-L-28NN-N-E
  - LP-L-88NN-N-E
  - LP-L-11NN-R-E
  - LP-L-21NN-R-E
  - LP-L-28NN-R-E
  - LP-L-88NN-R-E



SHEET TITLE: SINGLE LIGHT ARM PENDANT

**Amico** AMICO CLINICAL SOLUTIONS  
SPECTRA SERIES PENDANTS

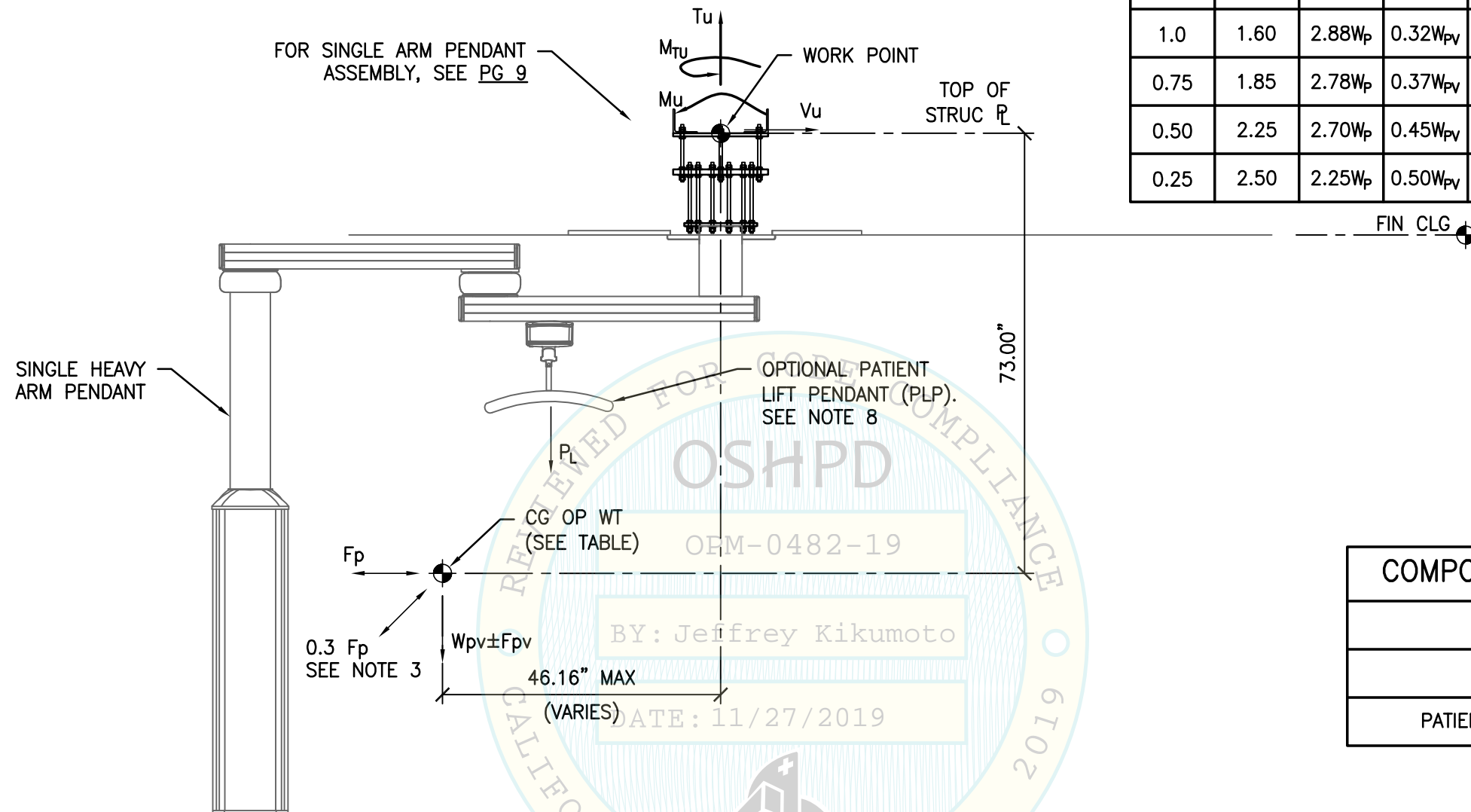


**CYS STRUCTURAL ENGINEERS, INC.**  
2495 NATOMAS PARK DRIVE, SUITE 650  
SACRAMENTO, CA 95833

TEL (916) 920-2020  
www.cyseng.com

Rev	Description	Date	Job No:
			17104
			Date: 11/27/2019
			By: MTC
			Page: 4 of 14

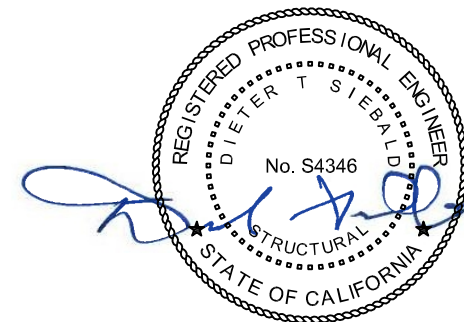
LRFD FORCES							
$z/h \leq$	$S_{DS} \leq$	$F_p$	$F_{PV}$	$T_u$ (LBS)	$V_u$ (LBS)	$M_u$ (LBS·IN)	$M_{TU}$ (LBS·IN)
1.0	1.60	$2.88W_p$	$0.32W_{PV}$	2215	1892	240564	1772
0.75	1.85	$2.78W_p$	$0.37W_{PV}$	2287	1823	238883	1772
0.50	2.25	$2.70W_p$	$0.45W_{PV}$	2404	1774	240661	1772
0.25	2.50	$2.25W_p$	$0.50W_{PV}$	2477	1478	222409	1772



COMPONENT WT & LIVE LOAD (LBS)	
$W_p$	457 (SEE NOTE 6)
$W_{PV}$	1457 (SEE NOTE 7)
PATIENT WT, $P_L$	1000 MAX

**NOTES:**

- CG WT IS A MAX. THIS PRE-APPROVAL ENCOMPASSES ALL WTS UP TO THE MAX WT SHOWN.
- SEOR FOR THE BLDG SHALL PROVIDE SUPPORT STRUCTURE & BRCC DESIGNED TO SUPPORT WTS & FORCES SHOWN, IN ADDITION TO ALL OTHER LOADS.
- THIS OPM CONSIDERS THAT THE COMPONENT IS IN AN UNLOCKED POSITION AFTER OVERCOMING A BRAKE FORCE ( $F_B$ ) OF 25 LBS AT 70.87" (1800mm) FROM WORK POINT.  $M_{TU} = 1772$  LBS·IN.
- $W_p$  INCLUDES WT OF ALL ITEMS SUPPLIED BY AMICO.
- UNIT IS FREE TO ROTATE 360 DEGREES AROUND.
- THE HORIZ SEISMIC FORCE INCLUDES 20% OF THE LIVE LOAD IN THE SEISMIC MASS, SEE TABLE FOR  $W_p$ .
- THE VERT SEISMIC FORCE INCLUDES 100% OF THE LIVE LOAD IN THE SEISMIC MASS, SEE TABLE FOR  $W_{PV}$ .
- TABLE REFLECTS VALUES THAT INCLUDE THE OPTIONAL PATIENT LIFT PENDANT.
- THIS DRAWING QUALIFIES THE FOLLOWING TWO MODEL #:  
  - LP-L-PLP-18NN-R-E
  - LP-L-PLP-28NN-R-E



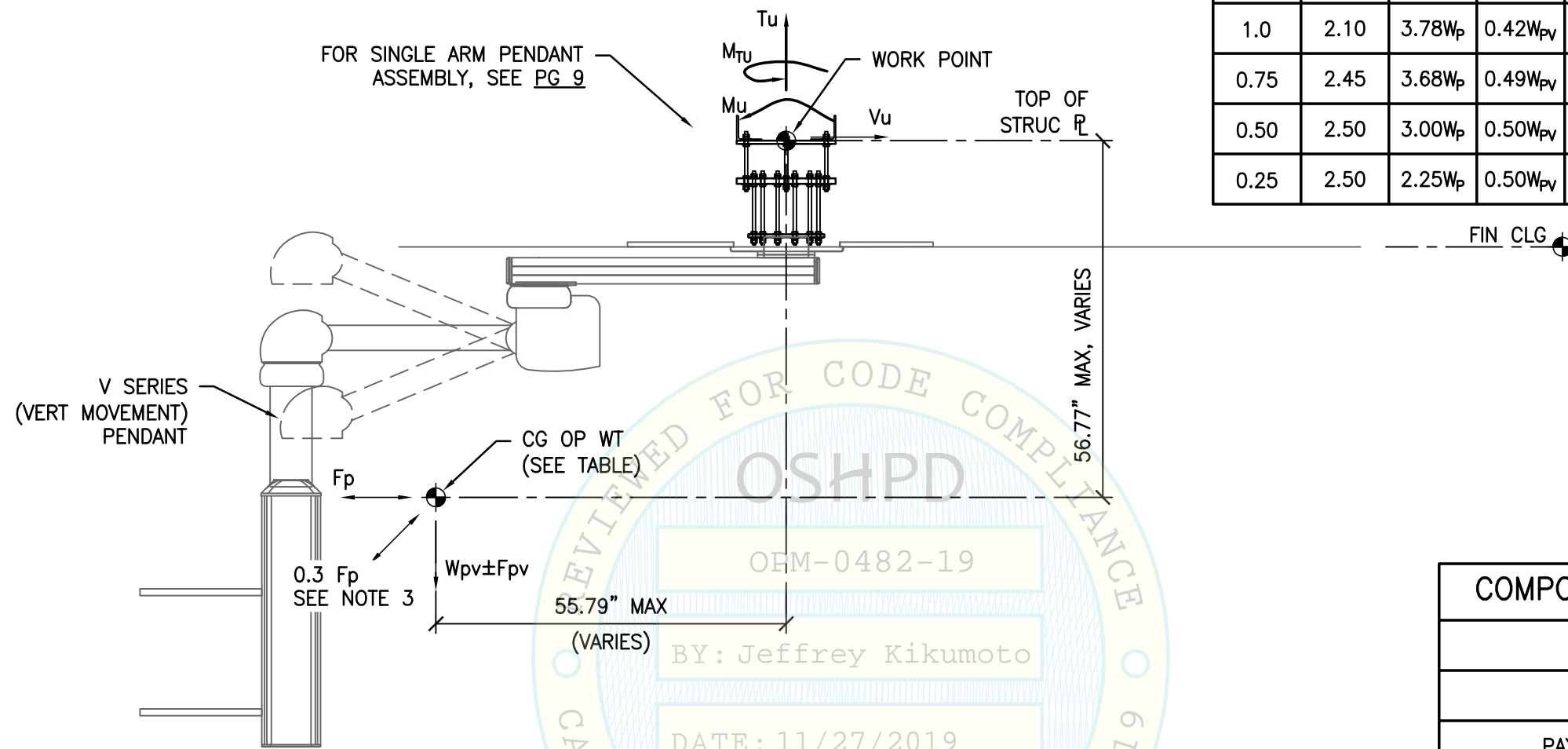
SHEET TITLE: SINGLE HEAVY ARM PENDANT W/ OPTIONAL PATIENT LIFT PENDANT (PLP)

Rev	Description	Date	Job No:
			17104
			Date: 11/27/2019
			By: MTC
			Page: 5 of 14

**Amico** AMICO CLINICAL SOLUTIONS  
SPECTRA SERIES PENDANTS

**CYS STRUCTURAL ENGINEERS, INC.**  
2495 NATOMAS PARK DRIVE, SUITE 650  
SACRAMENTO, CA 95833  
TEL (916) 920-2020  
www.cyseng.com

L:\Jobs\17104 Amico - Overhead Pendants OPM-0482-13\STRU\S1.dwg Time:Nov27,2019-10:50am Login:camachom DimScale:1 LTScale:6

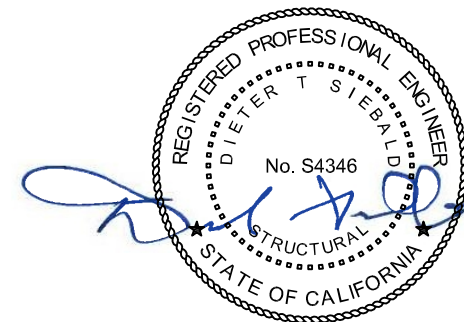
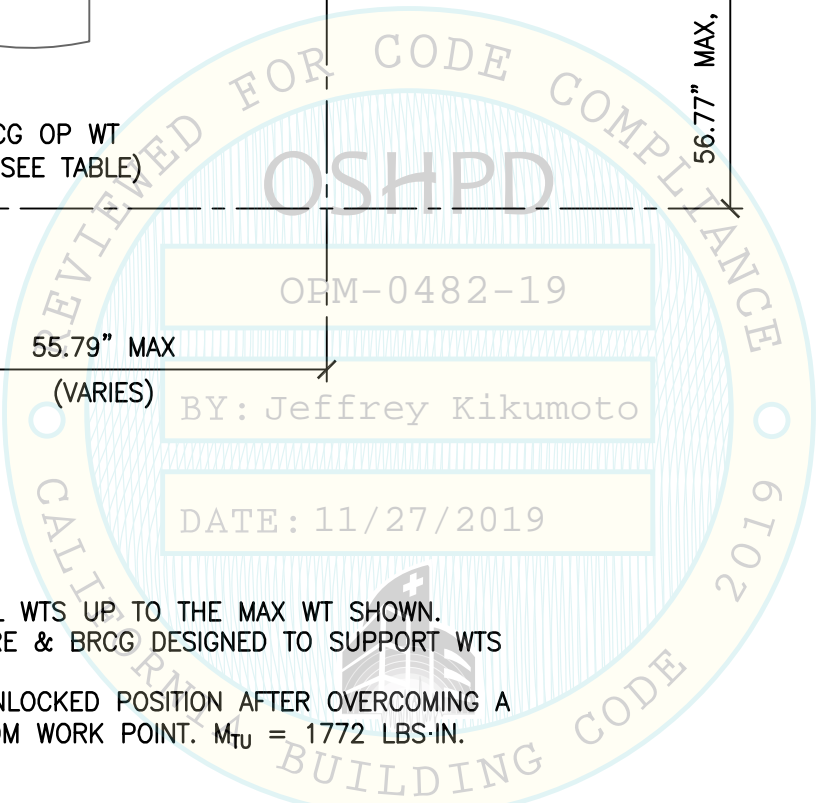


LRFD FORCES							
$z/h \leq$	$S_{DS} \leq$	$F_p$	$F_{PV}$	$T_u$ (LBS)	$V_u$ (LBS)	$M_u$ (LBS·IN)	$M_{TU}$ (LBS·IN)
1.0	2.10	$3.78W_p$	$0.42W_{PV}$	1463	2809	241054	1772
0.75	2.45	$3.68W_p$	$0.49W_{PV}$	1526	2731	240151	1772
0.50	2.50	$3.00W_p$	$0.50W_{PV}$	1535	2229	212184	1772
0.25	2.50	$2.25W_p$	$0.50W_{PV}$	1535	1672	180548	1772

COMPONENT WT & LIVE LOAD (LBS)	
$W_p$	703 (SEE NOTE 6)
$W_{PV}$	903 (SEE NOTE 7)
PAY LOAD	200 MAX

**NOTES:**

- CG WT IS A MAX. THIS PRE-APPROVAL ENCOMPASSES ALL WTS UP TO THE MAX WT SHOWN.
- SEOR FOR THE BLDG SHALL PROVIDE SUPPORT STRUCTURE & BRCC DESIGNED TO SUPPORT WTS & FORCES SHOWN, IN ADDITION TO ALL OTHER LOADS.
- THIS OPM CONSIDERS THAT THE COMPONENT IS IN AN UNLOCKED POSITION AFTER OVERCOMING A BRAKE FORCE ( $F_B$ ) OF 25 LBS AT 70.87" (1800mm) FROM WORK POINT.  $M_{TU} = 1772$  LBS·IN.
- $W_p$  INCLUDES WT OF ALL ITEMS SUPPLIED BY AMICO.
- UNIT IS FREE TO ROTATE 360 DEGREES AROUND.
- THE HORIZ SEISMIC FORCE INCLUDES 20% OF THE LIVE LOAD (PAY LOAD) IN THE SEISMIC MASS, SEE TABLE FOR  $W_p$ .
- THE VERT SEISMIC FORCE INCLUDES 100% OF THE LIVE LOAD (PAY LOAD) IN THE SEISMIC MASS, SEE TABLE FOR  $W_{PV}$ .
- THIS DRAWING QUALIFIES THE FOLLOWING SIX MODEL #:  
  - LP-V-11NN-N-E-90
  - LP-V-18NN-N-E-90
  - LP-V-21NN-N-E-90
  - LP-V-28NN-N-E-90
  - LP-V-81NN-N-E-90
  - LP-V-88NN-N-E-90



SHEET TITLE: V SERIES (VERTICAL MOVEMENT) PENDANT

**Amico** AMICO CLINICAL SOLUTIONS  
SPECTRA SERIES PENDANTS

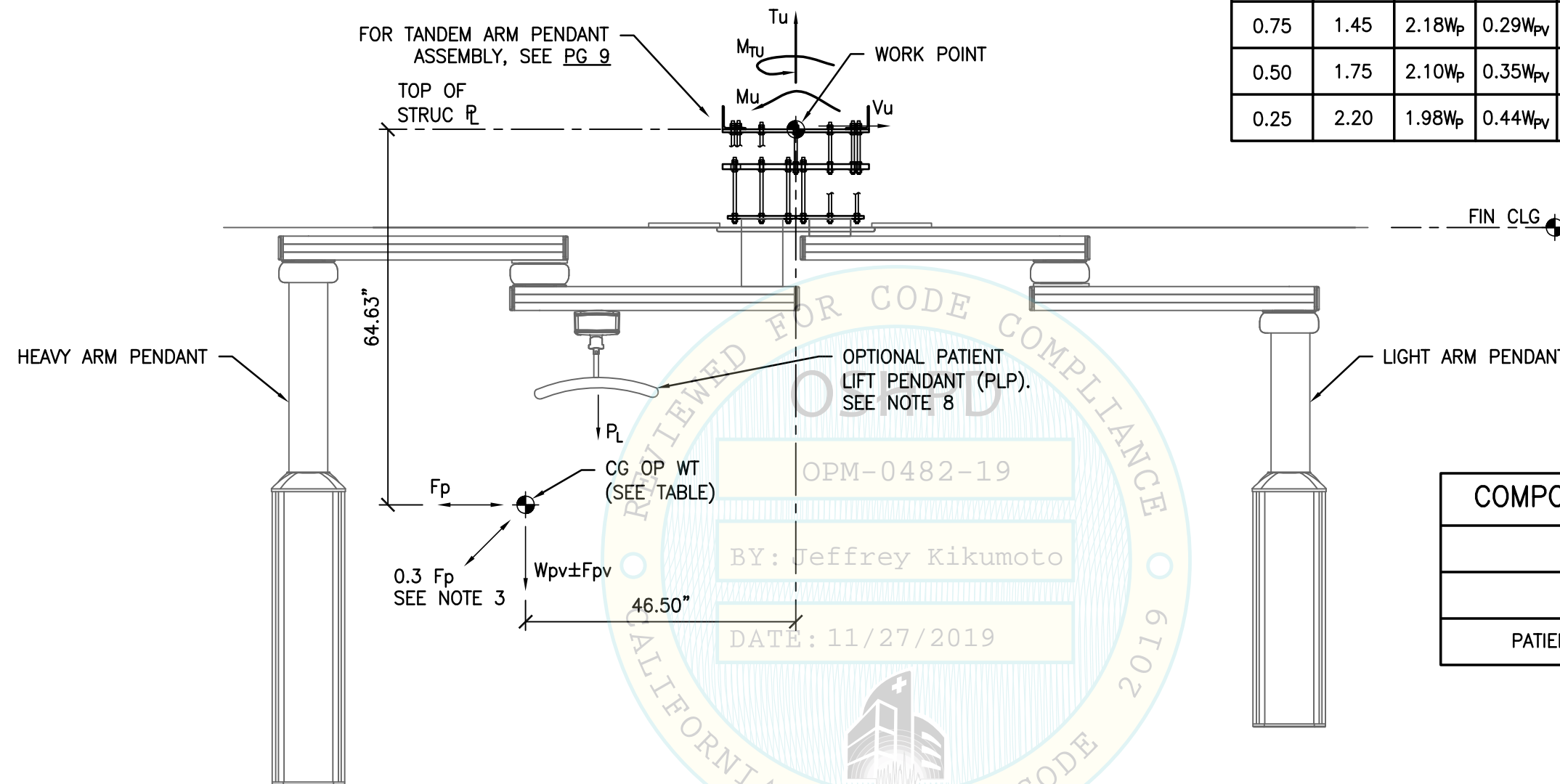


**CYS STRUCTURAL ENGINEERS, INC.**  
2495 NATOMAS PARK DRIVE, SUITE 650  
SACRAMENTO, CA 95833  
TEL (916) 920-2020  
www.cyseng.com

Rev	Description	Date	Job No:	17104
			Date:	11/27/2019
			By:	MTC
			Page:	6 of 14



LRFD FORCES							
$z/h \leq$	$S_{DS} \leq$	$F_p$	$F_{pV}$	$T_u$ (LBS)	$V_u$ (LBS)	$M_u$ (LBS·IN)	$M_{TU}$ (LBS·IN)
1.0	1.20	$2.16W_p$	$0.24W_{pV}$	2668	2274	271059	1772
0.75	1.45	$2.18W_p$	$0.29W_{pV}$	2761	2290	276388	1772
0.50	1.75	$2.10W_p$	$0.35W_{pV}$	2872	2211	276452	1772
0.25	2.20	$1.98W_p$	$0.44W_{pV}$	3039	2085	276040	1772



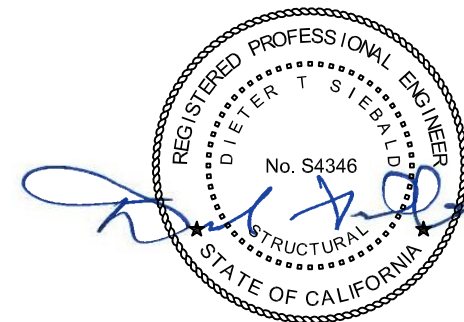
COMPONENT WT & LIVE LOAD (LBS)	
$W_p$	853 (SEE NOTE 6)
$W_{pV}$	1853 (SEE NOTE 7)
PATIENT WT, $P_L$	1000 MAX

**NOTES:**

- CG WT IS A MAX. THIS PRE-APPROVAL ENCOMPASSES ALL WTS UP TO THE MAX WT SHOWN.
- SEOR FOR THE BLDG SHALL PROVIDE SUPPORT STRUCTURE & BRCC DESIGNED TO SUPPORT WTS & FORCES SHOWN, IN ADDITION TO ALL OTHER LOADS.
- THIS OPM CONSIDERS THAT THE COMPONENT IS IN AN UNLOCKED POSITION AFTER OVERCOMING A BRAKE FORCE ( $F_B$ ) OF 25 LBS AT 70.87" (1800mm) FROM WORK POINT.  $M_{TU} = 1772$  LBS·IN.
- $W_p$  INCLUDES WT OF ALL ITEMS SUPPLIED BY AMICO.
- UNIT IS FREE TO ROTATE 360 DEGREES AROUND.
- THE HORIZ SEISMIC FORCE INCLUDES 20% OF THE LIVE LOAD IN THE SEISMIC MASS, SEE TABLE FOR  $W_p$ .
- THE VERT SEISMIC FORCE INCLUDES 100% OF THE LIVE LOAD IN THE SEISMIC MASS, SEE TABLE FOR  $W_{pV}$ .
- TABLE REFLECTS VALUES THAT INCLUDE THE OPTIONAL PATIENT LIFT PENDANT.

9. THIS DRAWING QUALIFIES THE FOLLOWING FIFTEEN MODEL #:

- LP-L-1111-N-E
- LP-L-1111-R-E
- LP-L-1818-N-E
- LP-L-1818-R-E
- LP-L-1888-N-E
- LP-L-1888-R-E
- LP-L-2211-N-E
- LP-L-2211-R-E
- LP-L-2828-N-E
- LP-L-2828-R-E
- LP-L-2888-R-E
- LP-L-8888-N-E
- LP-L-8888-R-E
- LP-L-PLP-1811-R-E
- LP-L-PLP-1888-R-E
- LP-L-PLP-2888-R-E



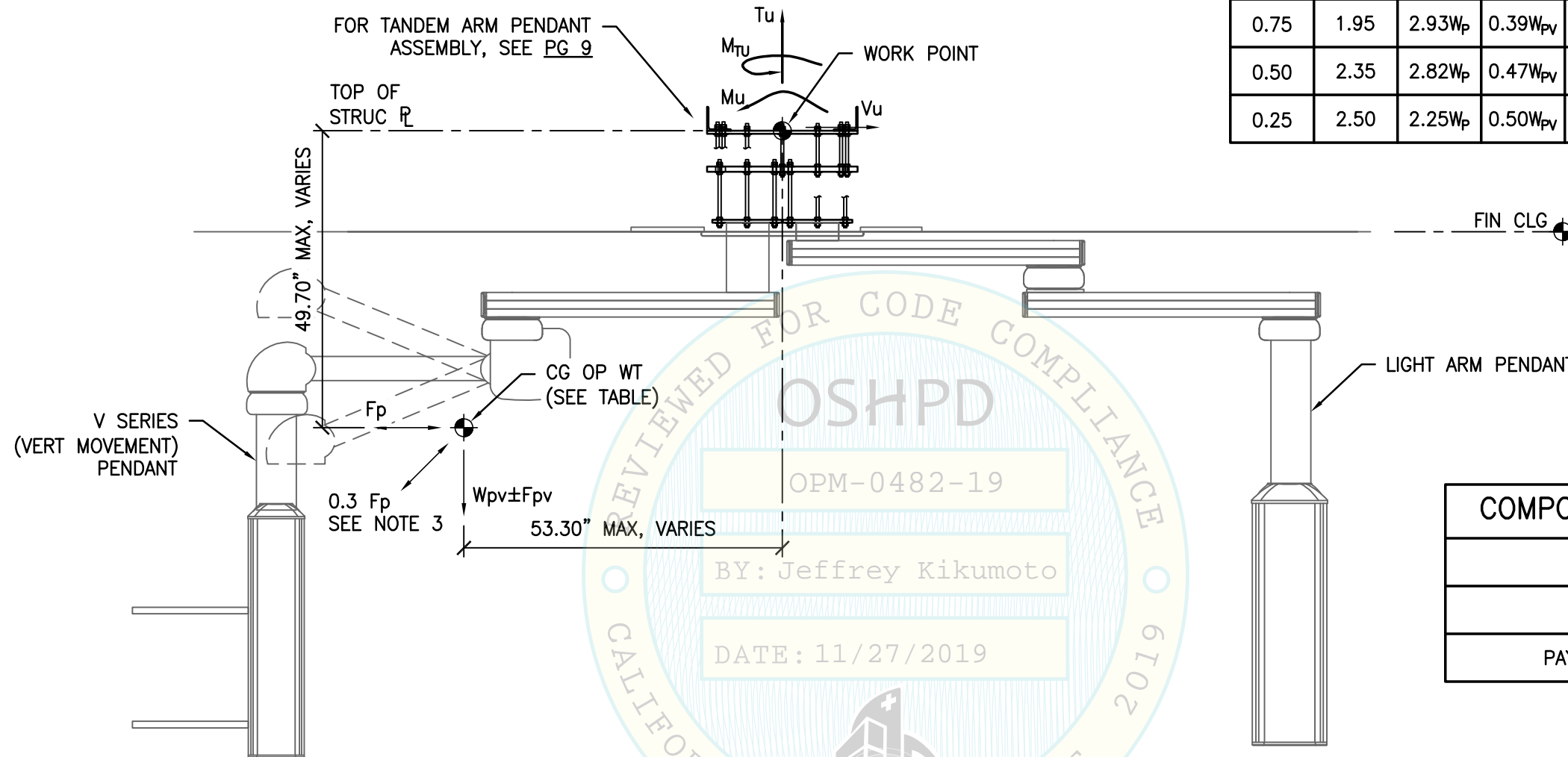
SHEET TITLE: TANDEM ARM PENDANTS (LIGHT ARM & HEAVY ARM) W/ OPTIONAL PATIENT LIFT PENDANT (PLP)

Rev	Description	Date	Job No:
			17104
			Date: 11/27/2019
			By: MTC
			Page: 7 of 14

**Amico**  
AMICO CLINICAL SOLUTIONS  
SPECTRA SERIES PENDANTS

**CYS STRUCTURAL ENGINEERS, INC.**  
2495 NATOMAS PARK DRIVE, SUITE 650  
SACRAMENTO, CA 95833  
TEL (916) 920-2020  
www.cyseng.com

LRFD FORCES							
$z/h \leq$	$S_{DS} \leq$	$F_p$	$F_{PV}$	$T_U$ (LBS)	$V_U$ (LBS)	$M_U$ (LBS·IN)	$M_{TU}$ (LBS·IN)
1.0	1.65	$2.97W_p$	$0.33W_{PV}$	1987	3383	273965	1772
0.75	1.95	$2.93W_p$	$0.39W_{PV}$	2065	3332	275577	1772
0.50	2.35	$2.82W_p$	$0.47W_{PV}$	2169	3212	275180	1772
0.25	2.50	$2.25W_p$	$0.50W_{PV}$	2208	2563	245021	1772



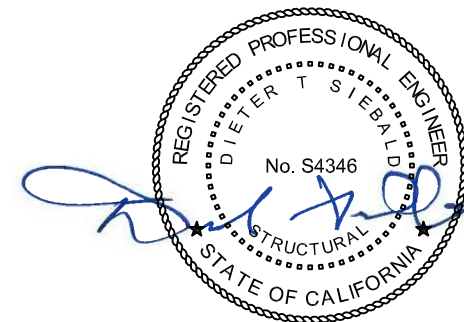
COMPONENT WT & LIVE LOAD (LBS)	
$W_p$	1099
$W_{PV}$	1299
PAY LOAD	200 MAX

**NOTES:**

- CG WT IS A MAX. THIS PRE-APPROVAL ENCOMPASSES ALL WTS UP TO THE MAX WT SHOWN.
- SEOR FOR THE BLDG SHALL PROVIDE SUPPORT STRUCTURE & BRGC DESIGNED TO SUPPORT WTS & FORCES SHOWN, IN ADDITION TO ALL OTHER LOADS.
- THIS OPM CONSIDERS THAT THE COMPONENT IS IN AN UNLOCKED POSITION AFTER OVERCOMING A BRAKE FORCE ( $F_B$ ) OF 25 LBS AT 70.87" (1800mm) FROM WORK POINT.  $M_{TU} = 1772$  LBS·IN.
- $W_p$  INCLUDES WT OF ALL ITEMS SUPPLIED BY AMICO.
- UNIT IS FREE TO ROTATE 360 DEGREES AROUND.
- THE HORIZ SEISMIC FORCE INCLUDES 20% OF THE LIVE LOAD (PAY LOAD) IN THE SEISMIC MASS, SEE TABLE FOR  $W_p$ .
- THE VERT SEISMIC FORCE INCLUDES 100% OF THE LIVE LOAD (PAY LOAD) IN THE SEISMIC MASS, SEE TABLE FOR  $W_{PV}$ .

8. THIS DRAWING QUALIFIES THE FOLLOWING EIGHT MODEL #:

- LP-V-TM-1111-N-E-90
- LP-V-TM-1118-N-E-90
- LP-V-TM-1188-N-E-90
- LP-V-TM-1818-N-E-90
- LP-V-TM-1888-N-E-90
- LP-V-TM-881N-N-E-90
- LP-V-TM-8818-N-E-90
- LP-V-TM-8888-N-E-90



SHEET TITLE: TANDEM ARM PENDANTS ( LIGHT ARM & V SERIES)

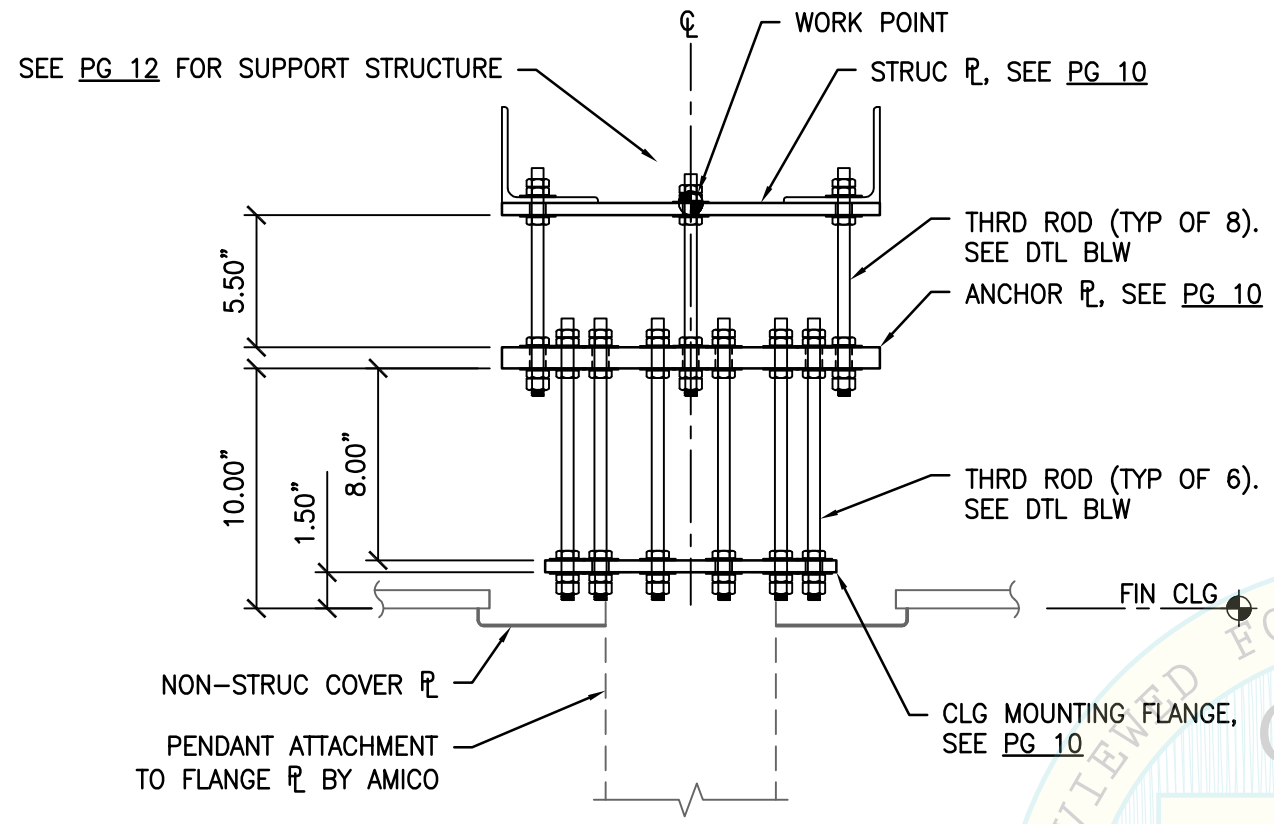
**Amico**  
AMICO CLINICAL SOLUTIONS  
SPECTRA SERIES PENDANTS



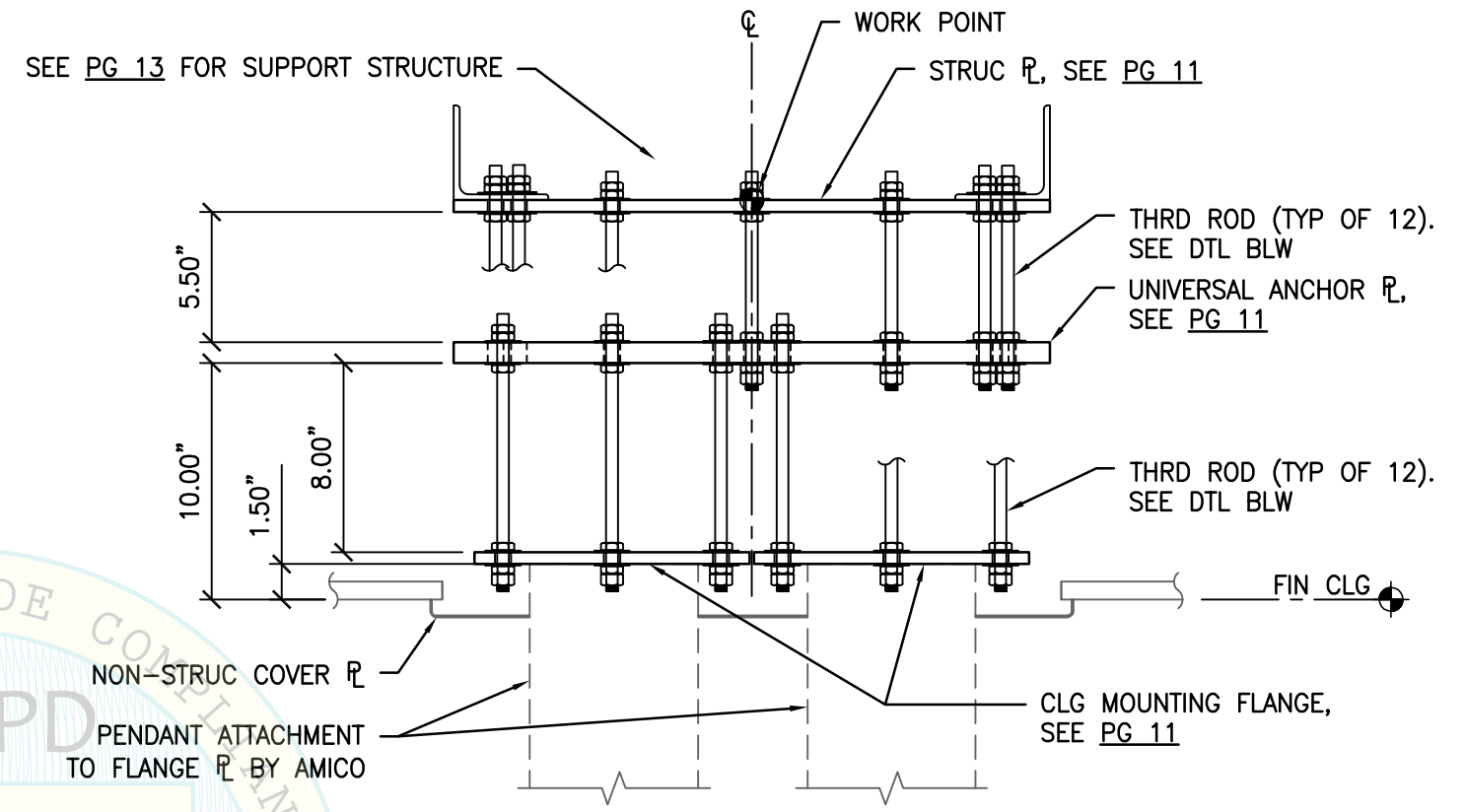
**CYS STRUCTURAL ENGINEERS, INC.**  
2495 NATOMAS PARK DRIVE, SUITE 650  
SACRAMENTO, CA 95833  
TEL (916) 920-2020  
www.cyseng.com

Rev	Description	Date	Job No:	17104
			Date:	11/27/2019
			By:	MTC
			Page:	8 of 14

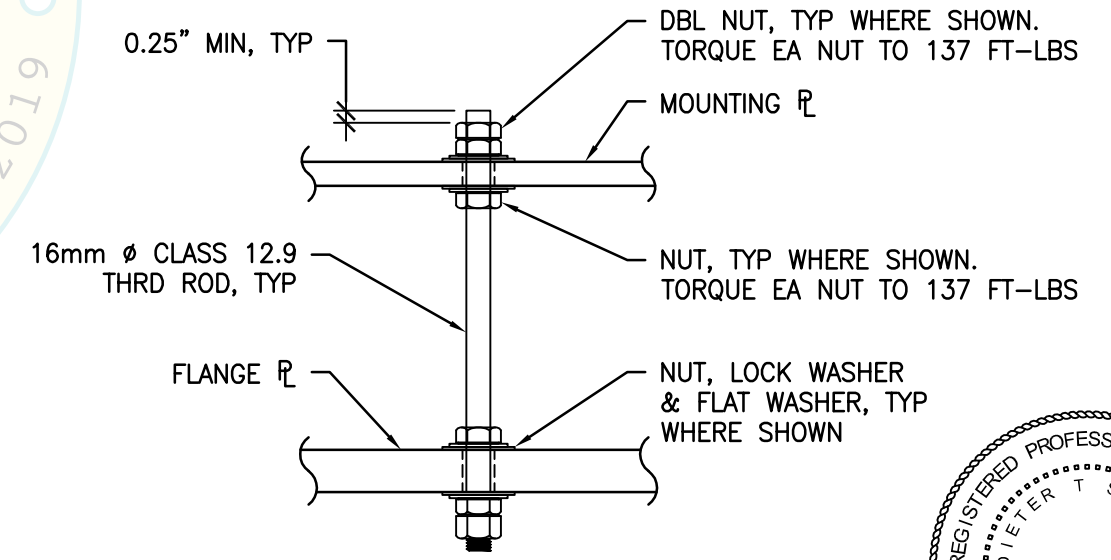
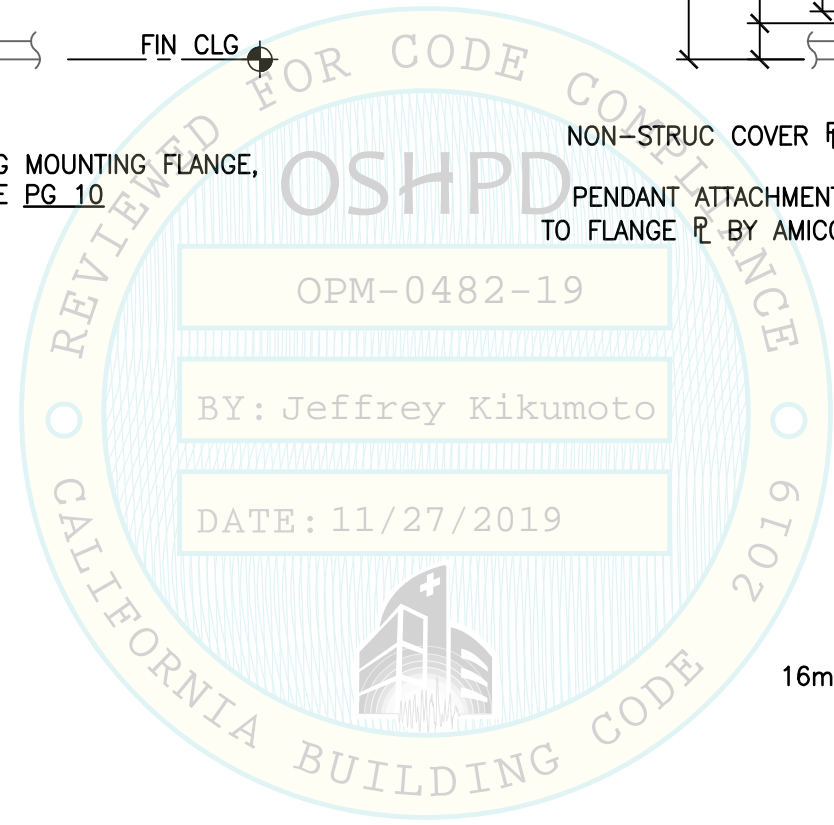
L:\Jobs\17104 Amico - Overhead Pendants OPM-0482-13\STRU\S1.dwg Time:Nov27,2019 - 10:50am Login:camachom DimScale:1 L1Scale:6



**SINGLE ARM PENDANT ASSEMBLY**



**TANDEM ARM PENDANT ASSEMBLY**



**TYP THRD ROD INSTALLATION DETAIL**

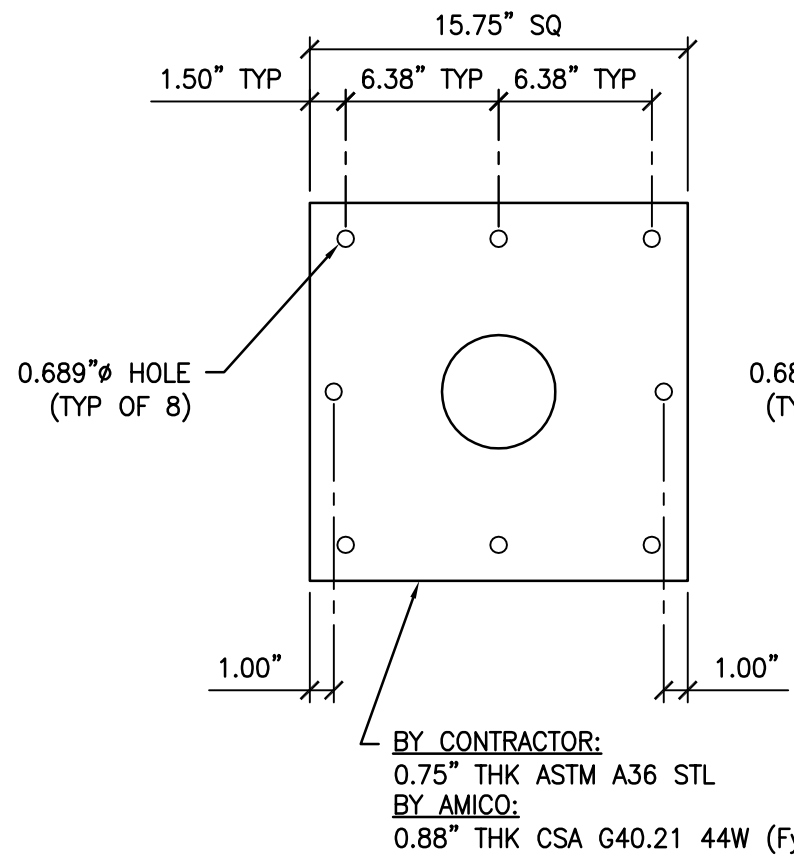


SHEET TITLE: PENDANT ASSEMBLY DETAILS

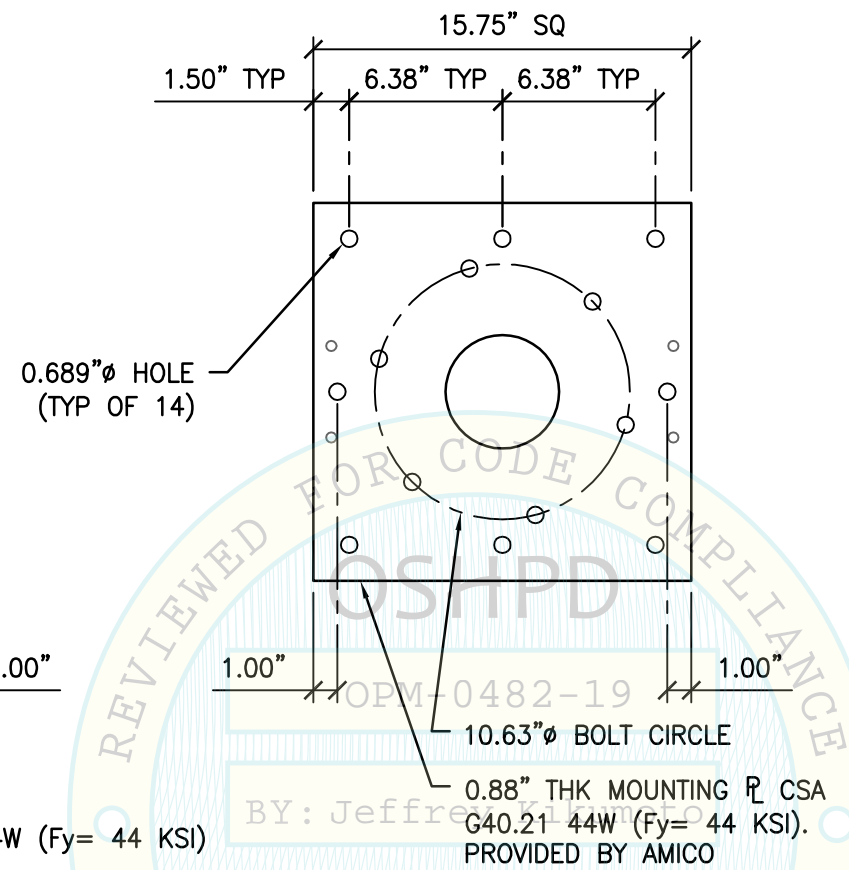
**Amico** AMICO CLINICAL SOLUTIONS  
SPECTRA SERIES PENDANTS  
www.amico.com

**CYS STRUCTURAL ENGINEERS, INC.**  
2495 NATOMAS PARK DRIVE, SUITE 650  
SACRAMENTO, CA 95833  
TEL (916) 920-2020  
www.cyseng.com

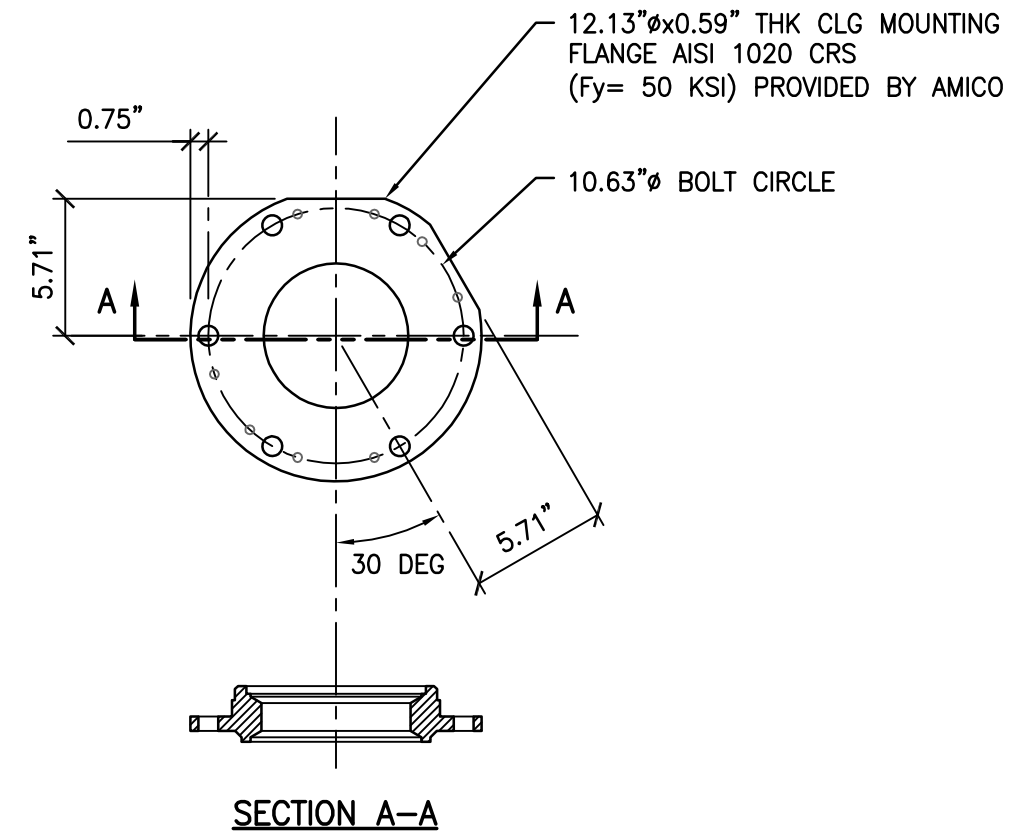
Rev	Description	Date	Job No:	17104
			Date:	11/27/2019
			By:	MTC
			Page:	9 of 14



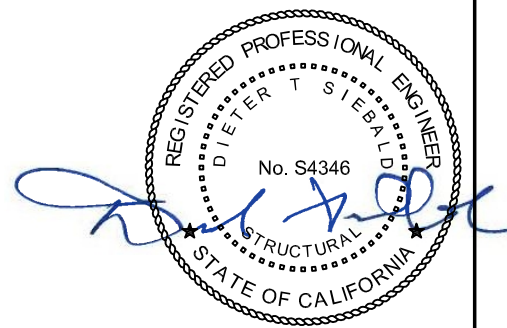
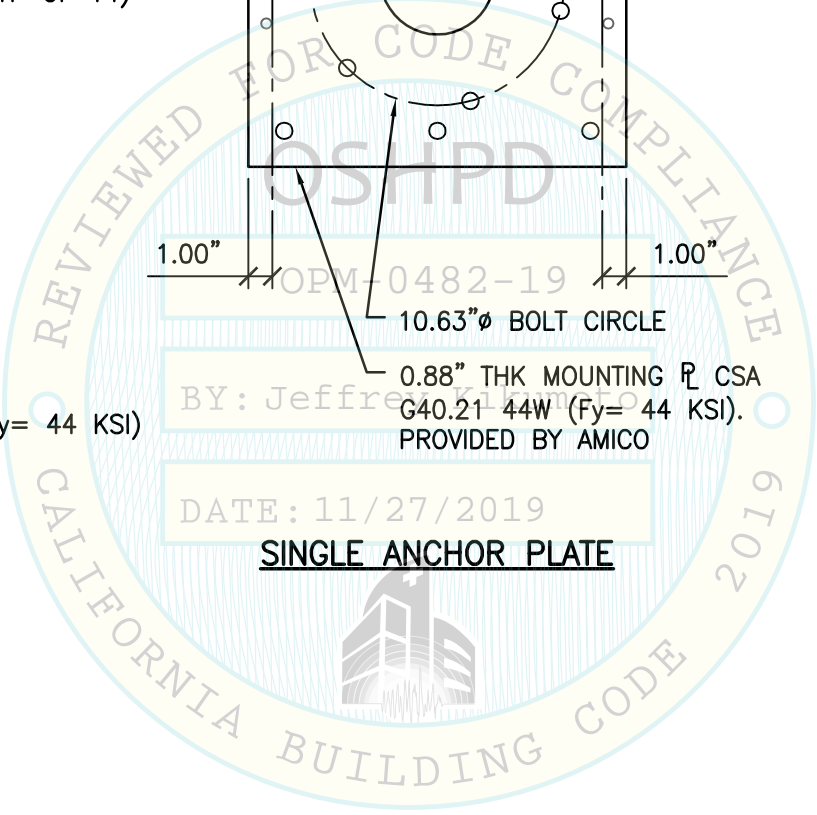
**SINGLE STRUC PLATE**



**SINGLE ANCHOR PLATE**



**SECTION A-A**  
**CEILING MOUNTING FLANGE**



L:\Jobs\17104 Amico - Overhead Pendants OPM-0482-13\STRU\S1.dwg Time:Nov27,2019 - 10:51am Login:camachom DimScale:1 L1Scale:6

SHEET TITLE: SINGLE PENDANT PLATE DETAILS

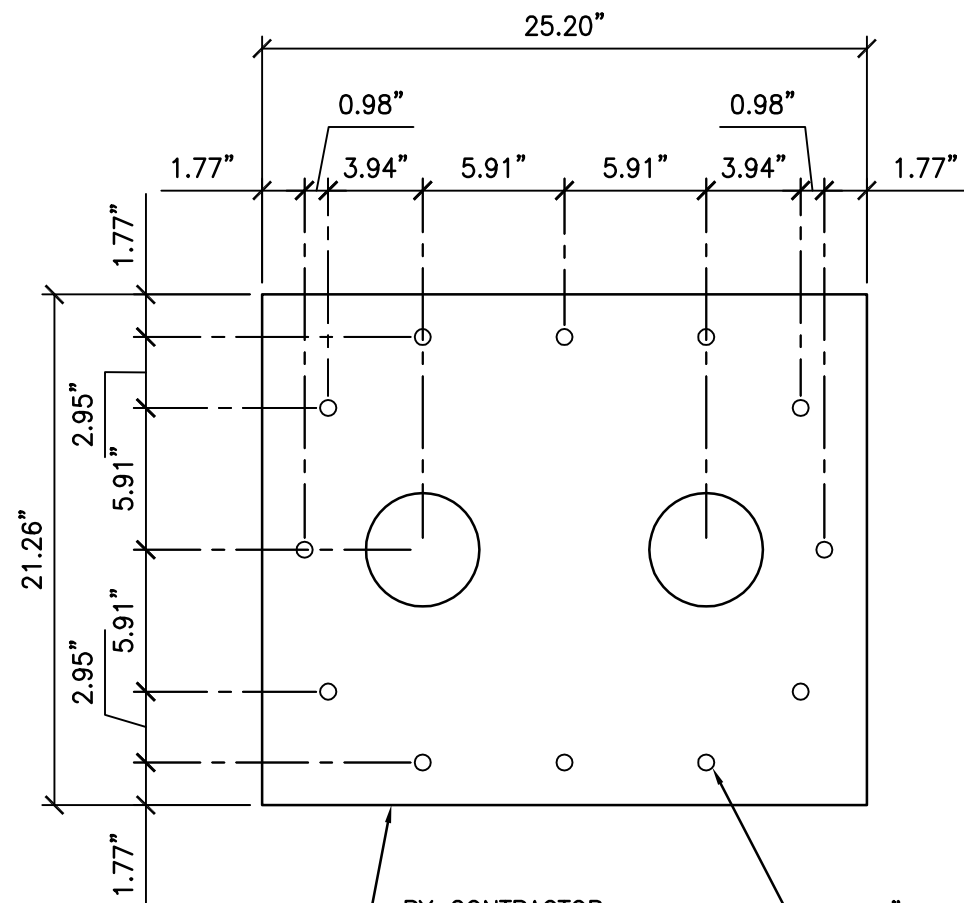
**Amico** AMICO CLINICAL SOLUTIONS  
SPECTRA SERIES PENDANTS  
www.amico.com

**CYS STRUCTURAL ENGINEERS, INC.**  
2495 NATOMAS PARK DRIVE, SUITE 650  
SACRAMENTO, CA 95833  
TEL (916) 920-2020  
www.cyseng.com

Rev	Description	Date	Job No:	17104
			Date:	11/27/2019
			By:	MTC
			Page:	10 of 14

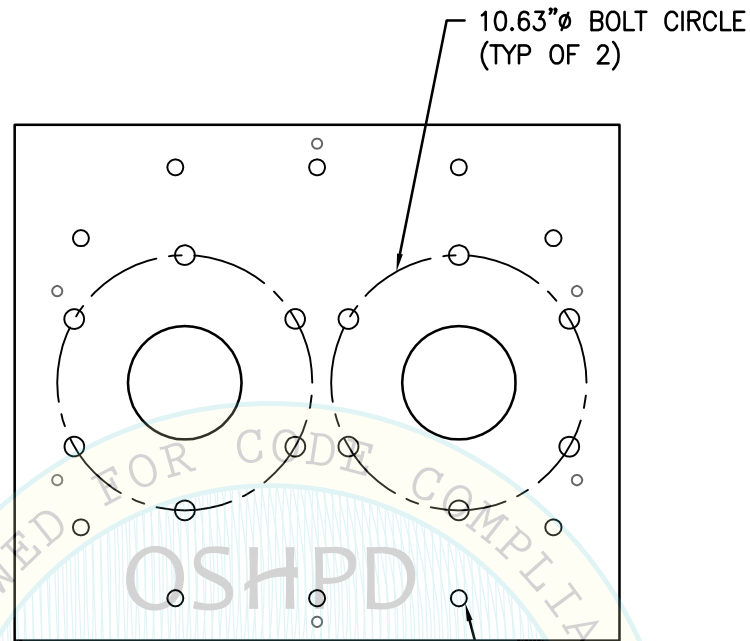


L:\Jobs\17104 Amico - Overhead Pendants OPM-0482-13\STRU\S1.dwg Time:Nov27,2019 - 10:51am Login:camachom DimScale:1 L1Scale:6



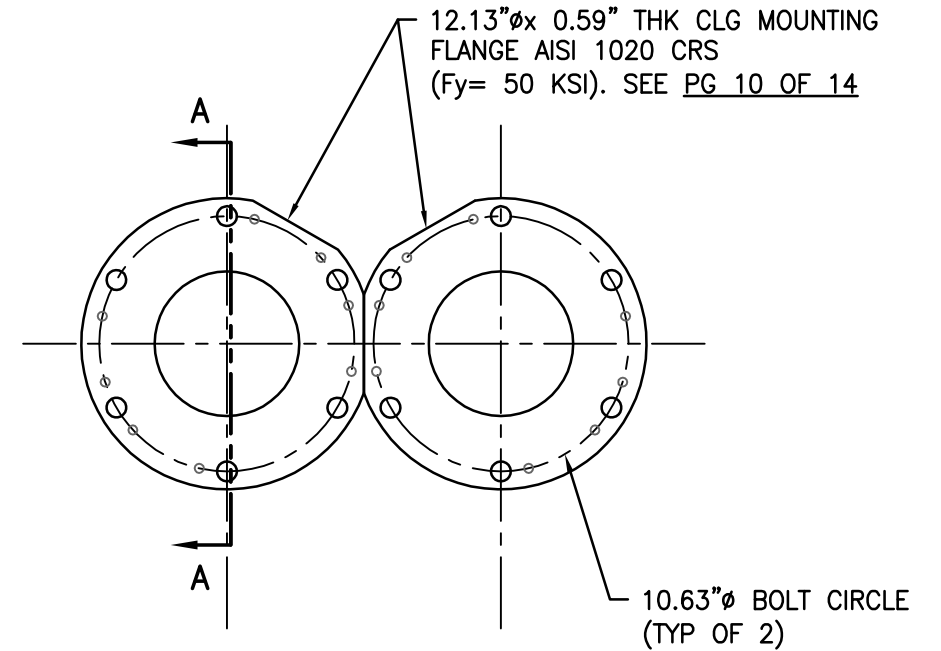
BY CONTRACTOR:  
0.75" THK ASTM A36 STL  
BY AMICO:  
0.88" THK CSA G40.21 44W (Fy= 44 KSI)

**TANDEM STRUC PLATE**



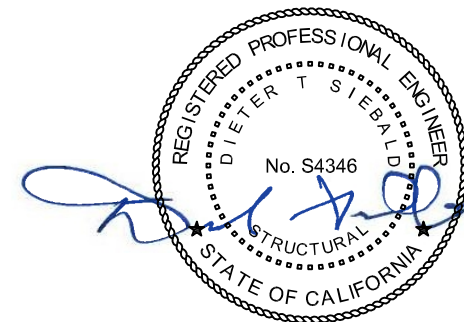
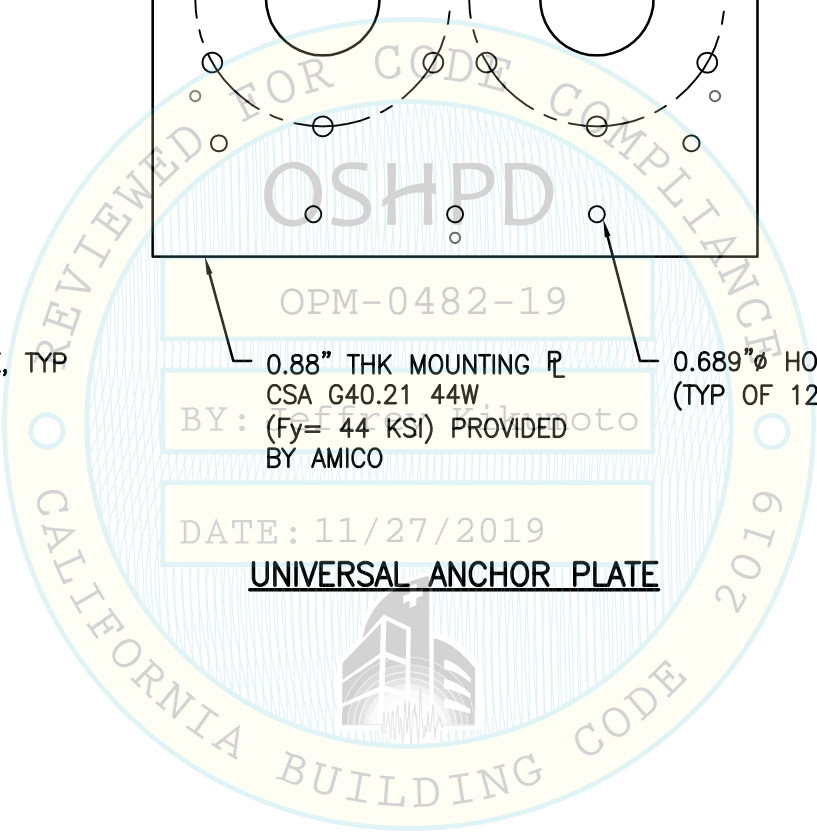
0.88" THK MOUNTING PLATE  
CSA G40.21 44W  
(Fy= 44 KSI) PROVIDED  
BY AMICO

**UNIVERSAL ANCHOR PLATE**



**SECTION A-A**

**CEILING MOUNTING FLANGE**



SHEET TITLE: TANDEM PENDANT PLATE DETAILS

**Amico** AMICO CLINICAL SOLUTIONS  
SPECTRA SERIES PENDANTS

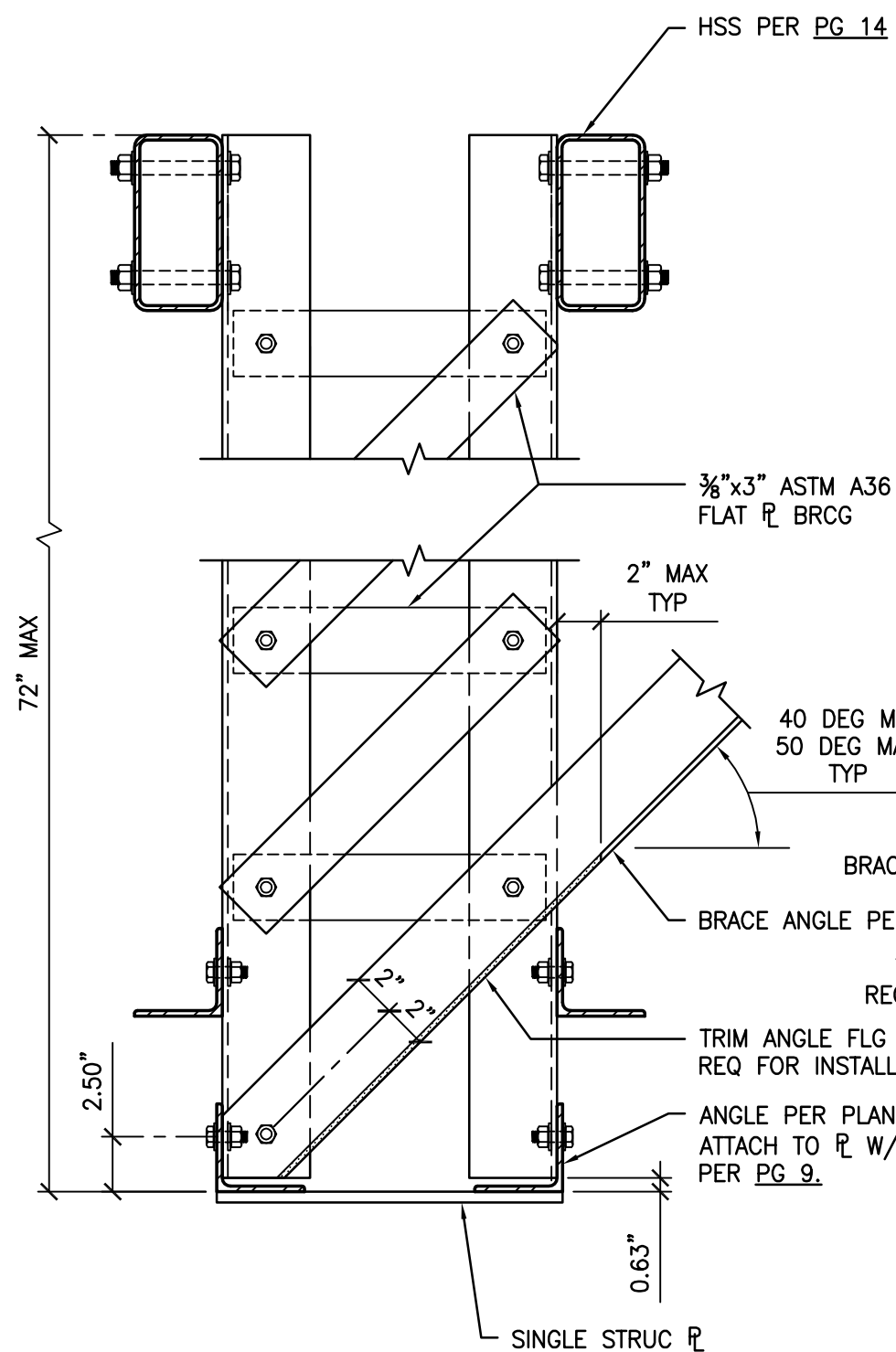


**CYS STRUCTURAL ENGINEERS, INC.**  
2495 NATOMAS PARK DRIVE, SUITE 650  
SACRAMENTO, CA 95833

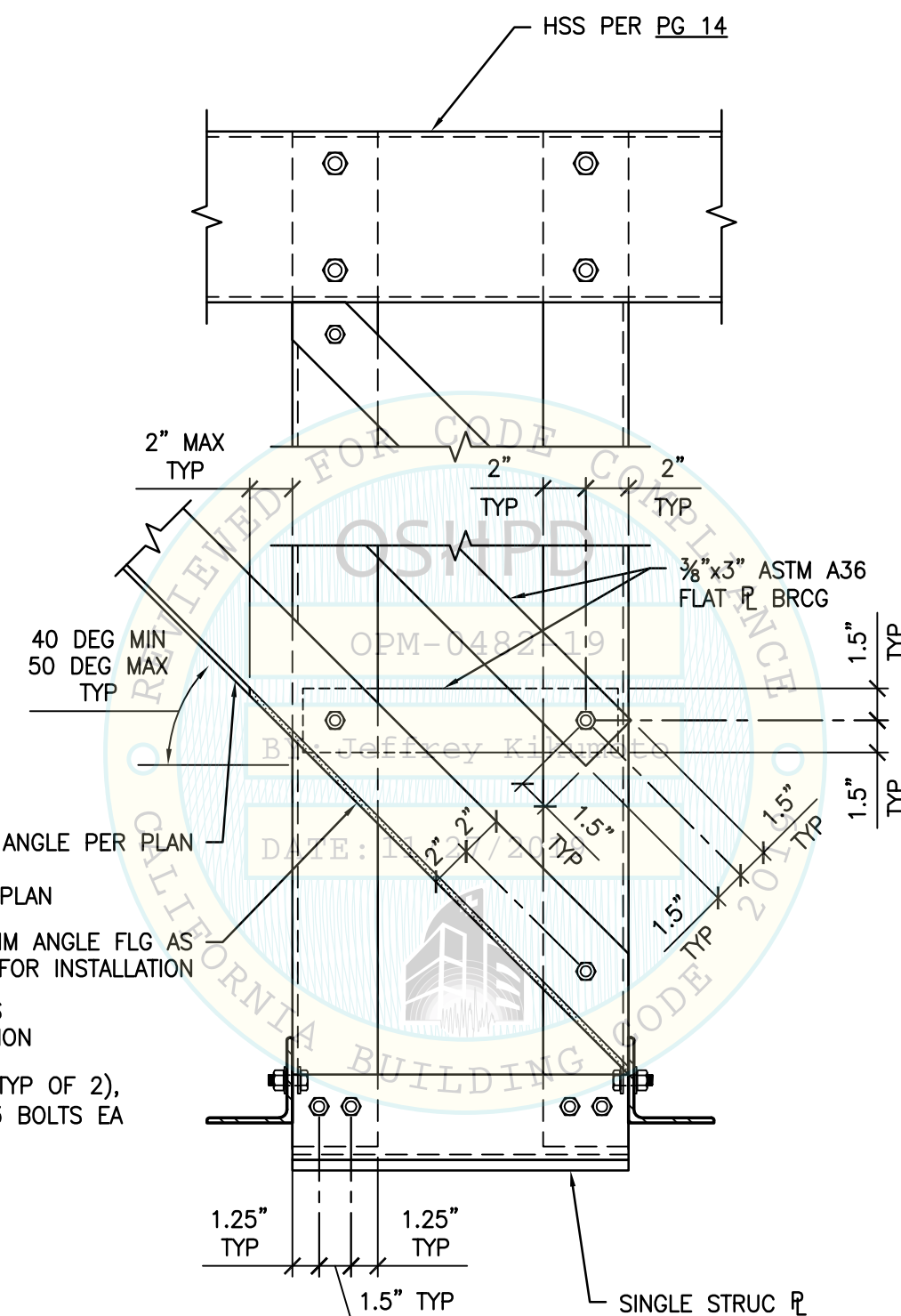
TEL (916) 920-2020  
www.cyseng.com

Rev	Description	Date	Job No:	17104
			Date:	11/27/2019
			By:	MTC
			Page:	11 of 14

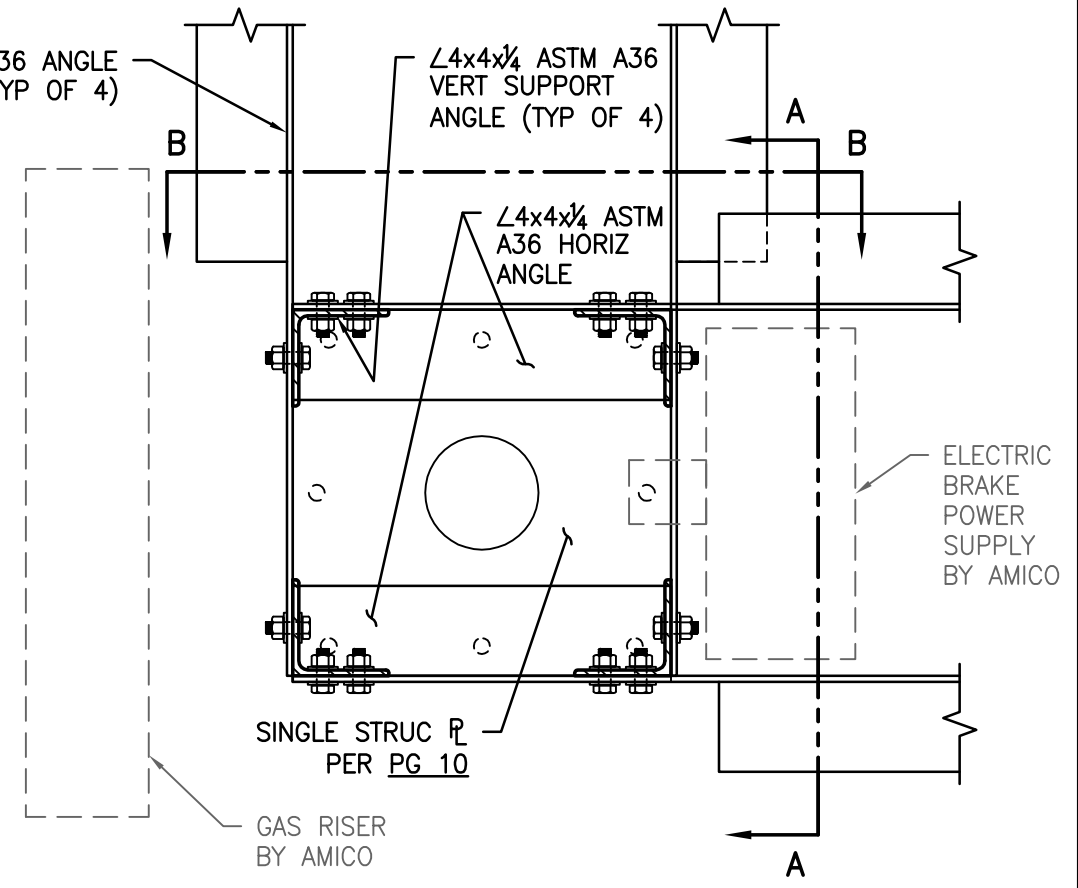
L:\Jobs\17104 Amico - Overhead Pendants OPM-0482-13\STRU\S1.dwg Time:Nov27,2019-10:51am Login:camachom DimScale:1 L1Scale:6



**SECTION A-A**



**SECTION B-B**



**SUPPORT FRMG AT STRUC PL  
PLAN VIEW**

- TYP NOTES:**
1. ALL BOLTS SHOWN ARE 5/8"Ø ASTM A307 W/ STD WASHERS & LOCK NUT, TYP UNO.
  2. ALL ITEMS ARE TO BE PROVIDED BY CONTRACTOR, UNO.
  3. CONTRACTOR HAS OPTION TO FIELD DRILL HOLES FOR BOLTS.



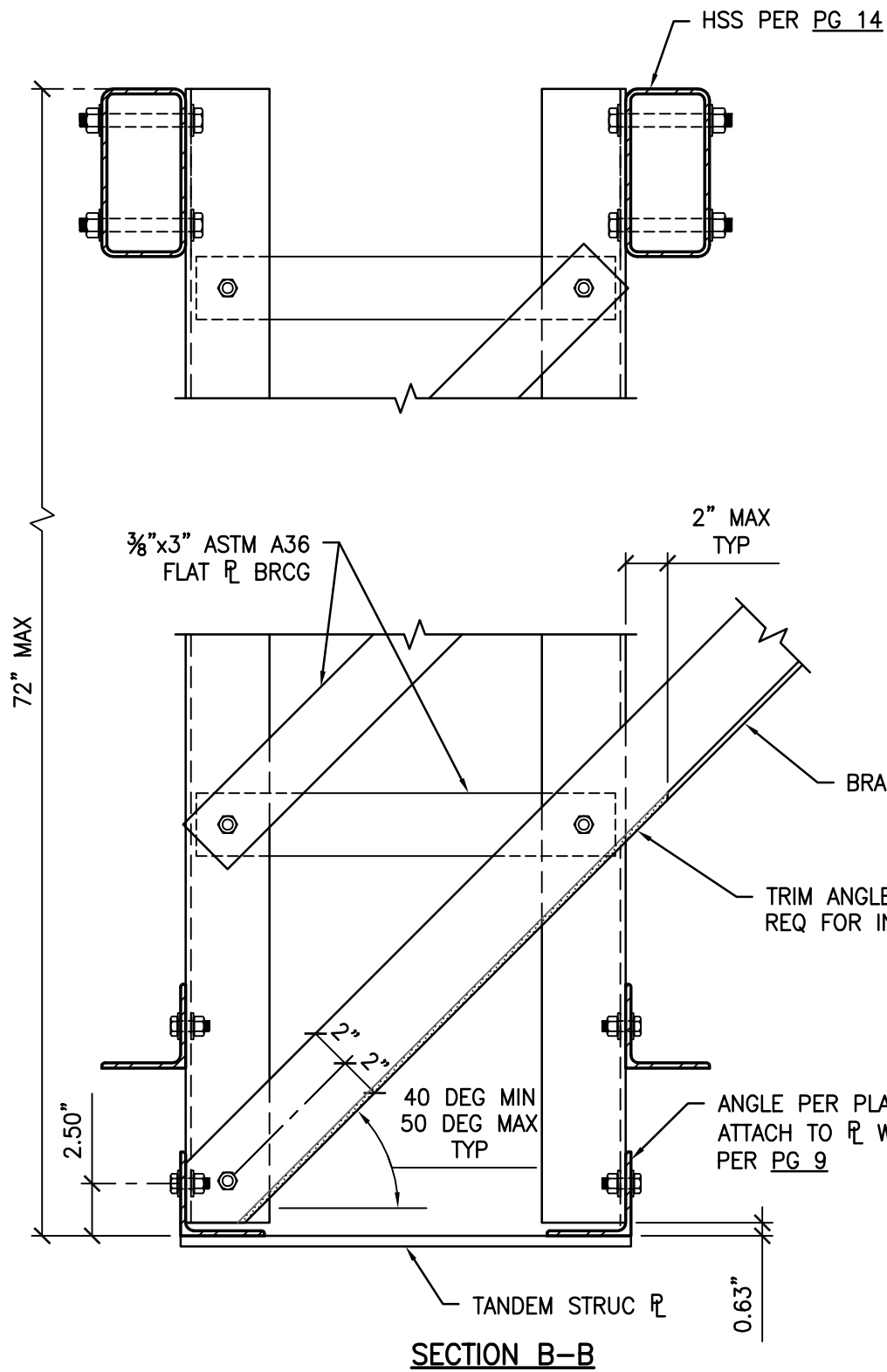
SHEET TITLE: BRACE ATTACHMENT DETAILS

**Amico** AMICO CLINICAL SOLUTIONS  
SPECTRA SERIES PENDANTS  
www.amico.com

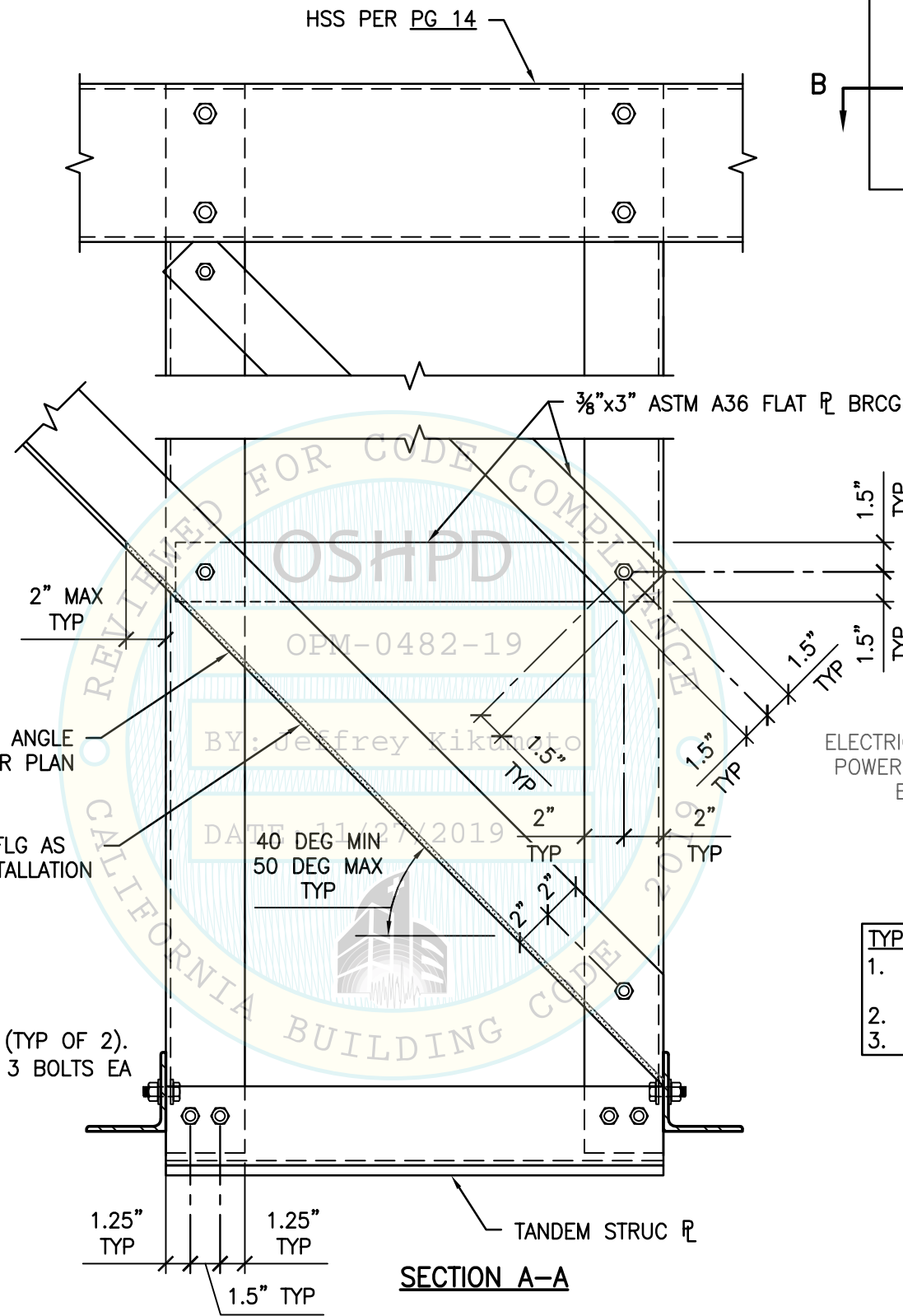
**CYS STRUCTURAL ENGINEERS, INC.**  
2495 NATOMAS PARK DRIVE, SUITE 650  
SACRAMENTO, CA 95833  
TEL (916) 920-2020  
www.cyseng.com

Rev	Description	Date	Job No:	17104
			Date:	11/27/2019
			By:	MTC
			Page:	12 of 14

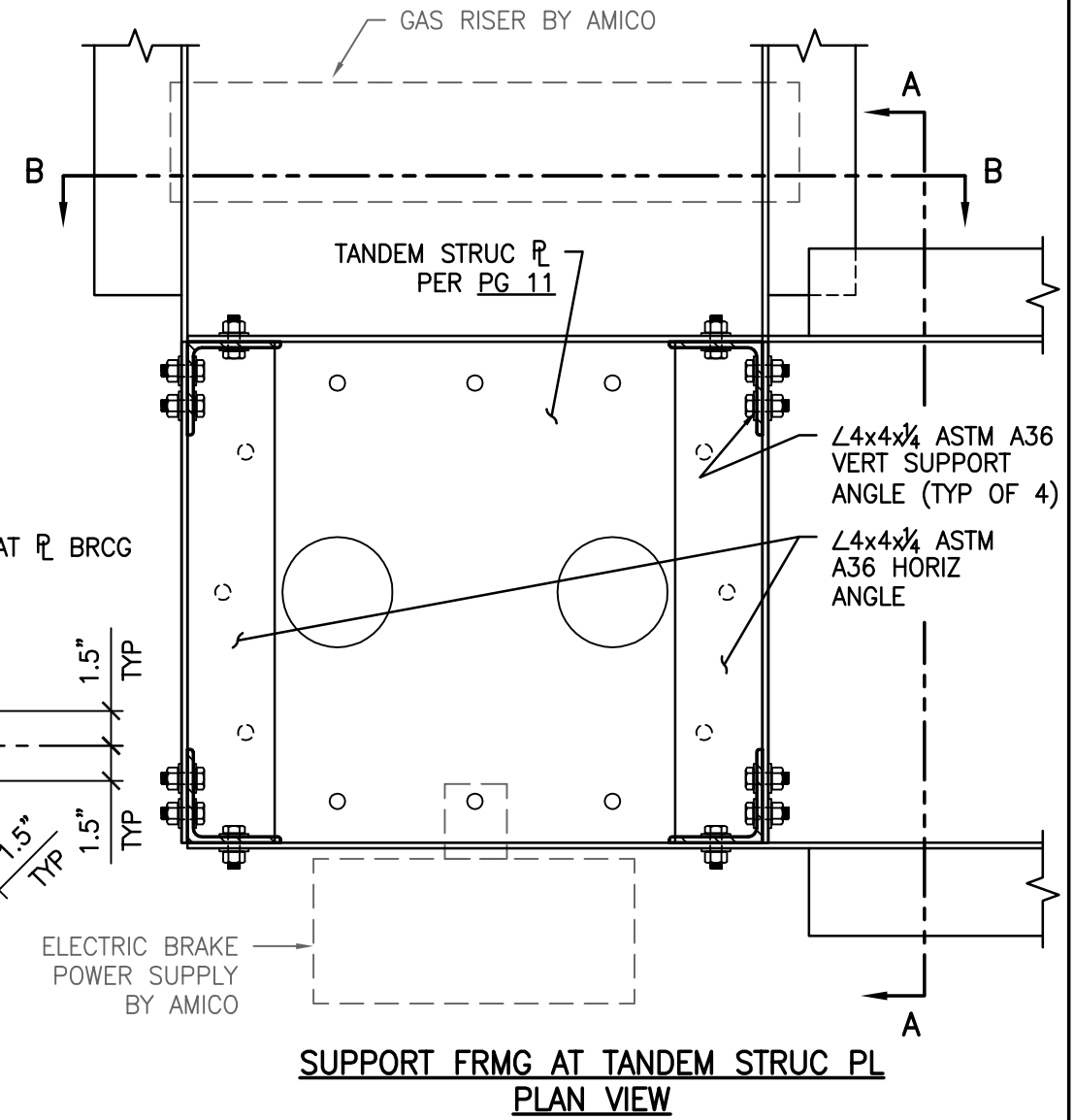
L:\Jobs\17104 Amico - Overhead Pendants OPM-0482-13\STRU\S1.dwg Time:Nov27,2019-10:51am Login:camachom DimScale:1 L1Scale:6



**SECTION B-B**



**SECTION A-A**



**SUPPORT FRMG AT TANDEM STRUC PL  
PLAN VIEW**

- TYP NOTES:**
1. ALL BOLTS SHOWN ARE 5/8"Ø ASTM A307 W/ STD WASHERS & LOCK NUT, TYP UNO.
  2. ALL ITEMS ARE TO BE PROVIDED BY CONTRACTOR, UNO.
  3. CONTRACTOR HAS OPTION TO FIELD DRILL HOLES FOR BOLTS.



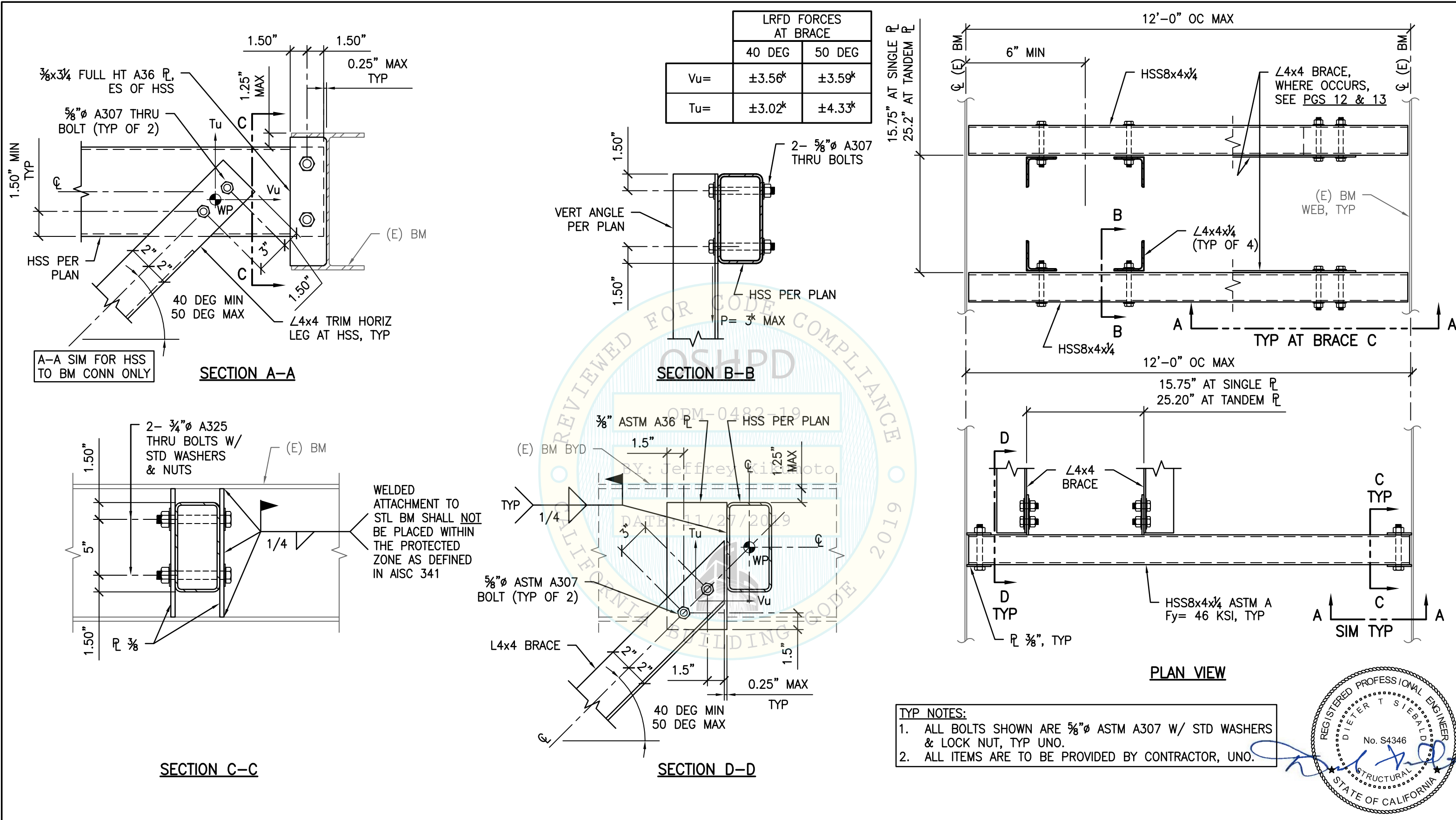
SHEET TITLE: BRACE ATTACHMENT DETAILS

**Amico** AMICO CLINICAL SOLUTIONS  
SPECTRA SERIES PENDANTS  
www.amico.com

**CYS STRUCTURAL ENGINEERS, INC.**  
2495 NATOMAS PARK DRIVE, SUITE 650  
SACRAMENTO, CA 95833  
TEL (916) 920-2020  
www.cyseng.com

Rev	Description	Date	Job No:	17104
			Date:	11/27/2019
			By:	MTC
			Page:	13 of 14

L:\Jobs\17104 Amico - Overhead Pendants OPM-0482-13\STRU\S1.dwg Time:Nov27,2019-10:51am Login:camachom DimScale:1 LTScale:6



**TYP NOTES:**  
 1. ALL BOLTS SHOWN ARE 5/8" Ø ASTM A307 W/ STD WASHERS & LOCK NUT, TYP UNO.  
 2. ALL ITEMS ARE TO BE PROVIDED BY CONTRACTOR, UNO.



SHEET TITLE: BRACE ATTACHMENT DETAILS

**Amico** AMICO CLINICAL SOLUTIONS  
SPECTRA SERIES PENDANTS

**CYS STRUCTURAL ENGINEERS, INC.**  
 2495 NATOMAS PARK DRIVE, SUITE 650  
 SACRAMENTO, CA 95833  
 TEL (916) 920-2020  
 www.cyseng.com

Rev	Description	Date	Job No:	17104
			Date:	11/27/2019
			By:	MTC
			Page:	14 of 14