



**DEPARTMENT OF HEALTH CARE ACCESS AND INFORMATION
OFFICE OF STATEWIDE HOSPITAL PLANNING AND DEVELOPMENT**

**APPLICATION FOR HCAI PREAPPROVAL OF
MANUFACTURER'S CERTIFICATION (OPM)**

OFFICE USE ONLY

APPLICATION #: OPM-0748

HCAI Preapproval of Manufacturer's Certification (OPM)

Type: New Renewal/Update

Manufacturer Information

Manufacturer: Hospital Systems, Inc.

Manufacturer's Technical Representative: Becca Teutle

Mailing Address: 750 Garcia Ave., Pittsburg, CA 94565

Telephone: (925) 427-7800

Email: bteutle@HSIheadwalls.com

Product Information

Product Name: HSI Bed Locator

Product Type: Bed Locator

Product Model Number: None

General Description: Wall Mounted Bed Locator

Applicant Information

Applicant Company Name: Hospital Systems, Inc.

Contact Person: Becca Teutle

Mailing Address: 750 Garcia Ave., Pittsburg, CA 94565

Telephone: (925) 427-7800

Email: bteutle@hsiheadwalls.com

Title: President

"A healthier California where all receive equitable, affordable, and quality health care"

STATE OF CALIFORNIA – HEALTH AND HUMAN SERVICES AGENCY





**DEPARTMENT OF HEALTH CARE ACCESS AND INFORMATION
OFFICE OF STATEWIDE HOSPITAL PLANNING AND DEVELOPMENT**

Registered Design Professional Preparing Engineering Recommendations

Company Name: CYS STRUCTURAL ENGINEERS, INC.
Name: Dieter Siebald California License Number: S4346
Mailing Address: 2710 Gateway Oaks Drive, Suite 190N, Sacramento, CA 95833
Telephone: (916) 920-2020 Email: dieters@cyseng.com

HCAI Special Seismic Certification Preapproval (OSP)

Special Seismic Certification is preapproved under OSP OSP Number: _____

Certification Method

Testing in accordance with: ICC-ES AC156 FM 1950-16
 Other(s) (Please Specify): _____

*Use of criteria other than those adopted by the California Building Standards Code, 2022 (CBSC 2022) for component supports and attachments are not permitted. For distribution system, interior partition wall, and suspended ceiling seismic bracings, test criteria other than those adopted in the CBSC 2022 may be used when approved by HCAI prior to testing.

Analysis
 Experience Data
 Combination of Testing, Analysis, and/or Experience Data (Please Specify): _____

HCAI Approval

Date: 1/9/2025
Name: William Staehlin Title: Senior Structural Engineer
Condition of Approval (if applicable): _____

"A healthier California where all receive equitable, affordable, and quality health care"

STATE OF CALIFORNIA – HEALTH AND HUMAN SERVICES AGENCY



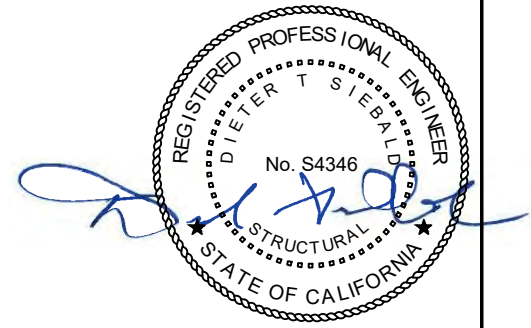
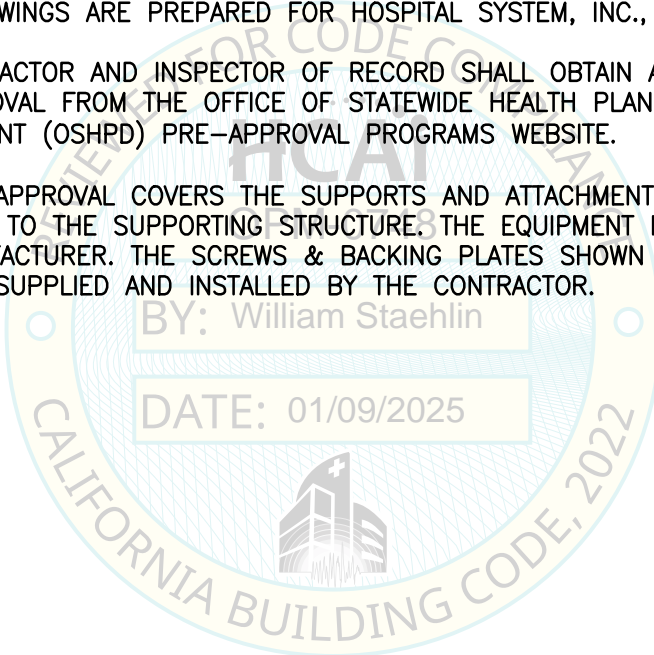
BED LOCATOR




TABLE OF CONTENTS OPM-0748

	PAGE
GENERAL NOTES	2
ABBREVIATIONS	3
DESIGN CRITERIA & LOAD COMBINATIONS	4
WALL MOUNTED BED LOCATOR ELEVATIONS	5
WALL MOUNTED BED LOCATOR WALL SECTIONS	6
WALL MOUNTING PLATE DETAIL	7

- NOTES:**
1. THESE DRAWINGS ARE PREPARED FOR HOSPITAL SYSTEM, INC., PITTSBURG, CA
 2. THE CONTRACTOR AND INSPECTOR OF RECORD SHALL OBTAIN A COPY OF THIS PRE-APPROVAL FROM THE OFFICE OF STATEWIDE HEALTH PLANNING & DEVELOPMENT (OSHPD) PRE-APPROVAL PROGRAMS WEBSITE.
 3. THIS PRE-APPROVAL COVERS THE SUPPORTS AND ATTACHMENTS OF THE EQUIPMENT TO THE SUPPORTING STRUCTURE. THE EQUIPMENT IS SUPPLIED BY THE MANUFACTURER. THE SCREWS & BACKING PLATES SHOWN IN THIS OPM SHALL BE SUPPLIED AND INSTALLED BY THE CONTRACTOR.



SHEET TITLE: TABLE OF CONTENTS

	CYS STRUCTURAL ENGINEERS, INC.	Job No: 24069
	2710 GATEWAY OAKS DRIVE, SUITE 190N	Date: 01-07-2025
	SACRAMENTO, CA 95833	Page: 1 of 7

TEL (916) 920-2020
www.cyseng.com

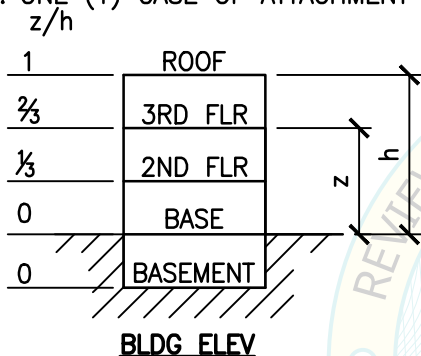
c:\Users\comachom\appdata\local\temp\AcPublish_S1.dwg Time:Jan07,2025--09:34am Login:comachom DimScale:1 LTScale:6

BED LOCATOR



GENERAL NOTES:

1. THIS OSHPD PRE-APPROVAL OF MANUFACTURER'S CERTIFICATION (OPM) IS BASED ON THE CBC 2022. THE DEMAND (DESIGN FORCES) FOR USE WITH THIS OPM MUST BE BASED ON THE CBC 2022.
2. IT IS THE RESPONSIBILITY OF THE STRUCTURAL ENGINEER OF RECORD FOR A SITE SPECIFIC PROJECT TO VERIFY:
 - A. THE ADEQUACY OF THE NEW OR (E) STRUCTURE TO RESIST THE FORCES & WT SPECIFIED FOR EA EQUIP IN ADDITION TO ALL OTHER LOADS. PROVIDE & DESIGN SUPPLEMENTARY MEMBERS AS REQ.
 - B. THAT THE INSTALLATION IS IN CONFORMANCE W/ THE CBC 2022 & W/ THE DETAILS SHOWN IN THIS PRE-APPROVAL.
 - C. THAT THE ACTUAL EQUIP'S WT, CENTER OF GRAVITY (CG) LOCATION, ATTACHMENT LOCATIONS, ATTACHMENT DETAILS, & THE MATERIAL & GA OF THE EQUIP WHERE ATTACHMENTS ARE MADE, AGREE W/ THE INFO SHOWN ON THE PRE-APPROVAL DOCUMENTS.
 - D. THAT THE PROJECT SPECIFIC VALUES OF S_{DS} & z/h RESULT IN SEISMIC FORCES THAT DO NOT EXCEED THE VALUES PROVIDED IN THE DESIGN CRITERIA.
3. ONE (1) CASE OF ATTACHMENT IS SPECIFIED & PRESENTED IN THIS PRE-APPROVAL:



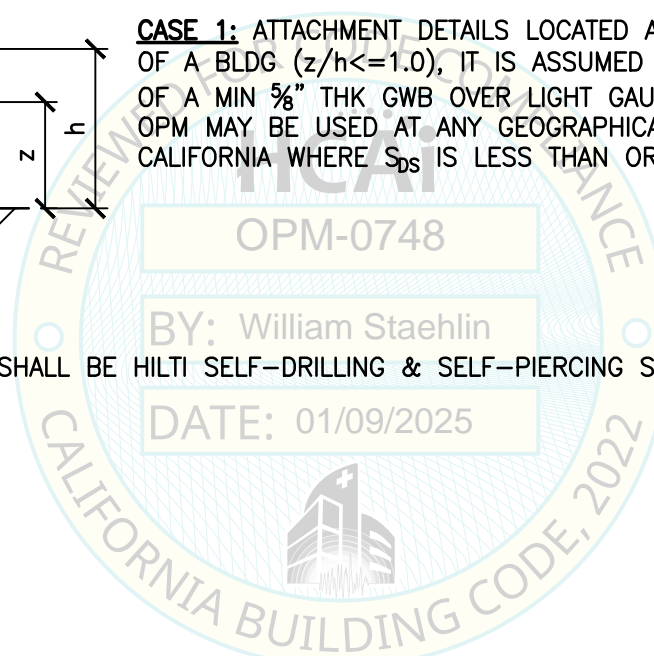
CASE 1: ATTACHMENT DETAILS LOCATED AT UPPER FLRS ABV THE BASE OF A BLDG ($z/h \leq 1.0$), IT IS ASSUMED THAT THE WALLS ARE BUILT OF A MIN $\frac{5}{8}$ " THK GWB OVER LIGHT GAUGE STL OR WOOD STUDS. THIS OPM MAY BE USED AT ANY GEOGRAPHICAL LOCATION IN THE STATE OF CALIFORNIA WHERE S_{DS} IS LESS THAN OR EQ TO 2.5.

OPM-0748

BY: William Staehlin

DATE: 01/09/2025

4. SHEET METAL SCREWS SHALL BE HILTI SELF-DRILLING & SELF-PIERCING SCREWS PER ICC-ES ESR-2196.



SHEET TITLE: GENERAL NOTES



CYS STRUCTURAL ENGINEERS, INC.

2710 GATEWAY OAKS DRIVE, SUITE 190N
SACRAMENTO, CA 95833

TEL (916) 920-2020
www.cyseng.com

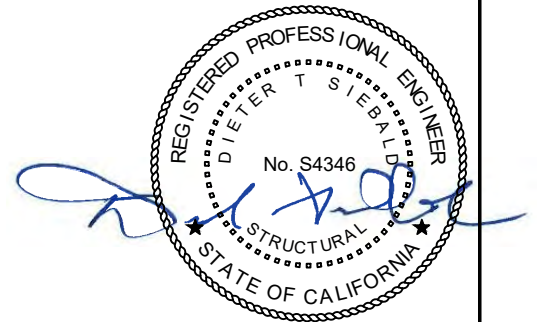
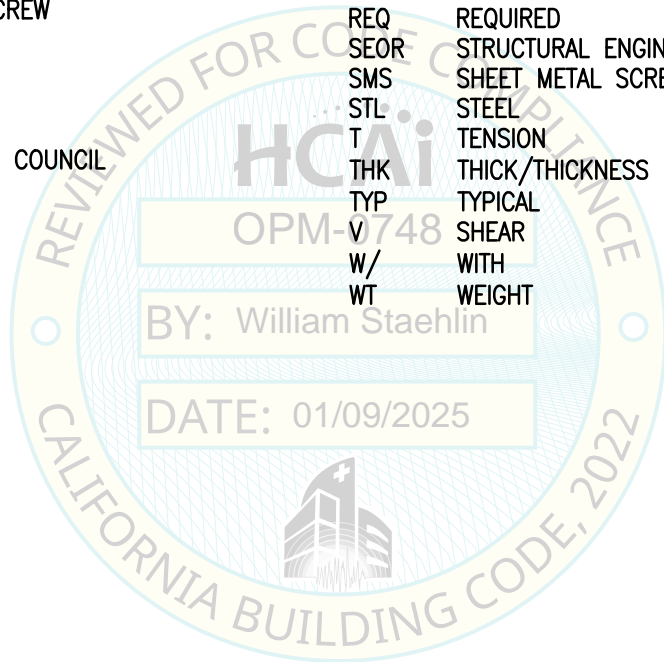
Job No:	24069
Date:	01-07-2025
Page:	2 of 7

BED LOCATOR



ABBREVIATIONS:

ABV	ABOVE	INFO	INFORMATION
ASCE	AMERICAN SOCIETY OF CIVIL ENGINEERS	LBS	POUNDS
ASD	ALLOWABLE STRESS DESIGN	LRFD	LOAD AND RESISTANCE FACTOR DESIGN
ASTM	AMERICAN SOCIETY FOR TESTING & MATERIALS	MAX	MAXIMUM
BLDG	BUILDING	MFR	MANUFACTURER
BLKG	BLOCKING	MIN	MINIMUM
CBC	CALIFORNIA BUILDING CODE	NO. (#)	NUMBER OR POUNDS
CG	CENTER OF GRAVITY	OPG	OPENING
(E)	EXISTING	OPM	OSHPD PRE-APPROVAL OF MANUFACTURER'S CERTIFICATION
EA	EACH	OSHPD	OFFICE OF STATEWIDE HEALTH PLANNING & DEVELOPMENT
ELEV	ELEVATION	PERP	PERPENDICULAR
EQ	EQUAL	PG	PAGE
EQUIP	EQUIPMENT	PL	PLATE
FHWS	FLAT HEAD WOOD SCREW	REQ	REQUIRED
FLR	FLOOR	SEOR	STRUCTURAL ENGINEER OF RECORD
GA	GAUGE	SMS	SHEET METAL SCREW
GWB	GYPSTUM WALLBOARD	STL	STEEL
HORIZ	HORIZONTAL	T	TENSION
ICC	INTERNATIONAL CODE COUNCIL	THK	THICK/THICKNESS
IN (")	INCH	TYP	TYPICAL



SHEET TITLE: ABBREVIATIONS



CYS STRUCTURAL ENGINEERS, INC.

2710 GATEWAY OAKS DRIVE, SUITE 190N
SACRAMENTO, CA 95833

TEL (916) 920-2020
www.cyseng.com

Job No:	24069
Date:	01-07-2025
Page:	3 of 7

c:\Users\comachom\appdata\local\temp\AcPublish_S1.dwg Time:Jan07,2025--09:34am Login:comachom DimScale:1 LTScale:6

BED LOCATOR



DESIGN CRITERIA

SUPPORT & ATTACHMENT DESIGN IS PER 2022 CBC AT LRFD LEVEL FORCES. OTHER RIGID COMPONENTS LOW DEFORMABILITY ELEMENTS & ATTACHMENTS.. PER TABLE 13.5-1 OF ASCE 7-16 SUPPLEMENT #1

$$\alpha_p = 1.0 \quad R_p = 1.5 \quad I_p = 1.5$$

MAX W_p AS SHOWN ON PG 5.

FOR CASE 1 – UPPER FLRS ABV THE BASE, $z/h \leq 1.0$

$$S_{DS} = 2.5$$

$$F_p = \frac{0.4 \alpha_p S_{DS} W_p}{(R_p/I_p)} (1+2 z/h) = 3.0 W_p \quad \text{ASCE 7-16 (13.3-1)}$$

$$F_p (\text{MAX}) = 1.6 S_{DS} I_p W_p = 6.00 W_p \quad \text{ASCE 7-16 (13.3-2)}$$

$$F_p (\text{MIN}) = 0.3 S_{DS} I_p W_p = 1.125 W_p \quad \text{ASCE 7-16 (13.3-3)}$$

$$E_v + F_v = \pm 0.2 S_{DS} W_p = 0.50 W_p \quad \text{ASCE 7-16 (12.4-4)}$$



LOAD COMBINATIONS

(1.2+0.2 S_{DS}) D+1.0E+L

LRFD

(1.0+0.14 S_{DS}) D+0.7E

ASD

LOAD COMBINATIONS WERE RUN FOR 100% OF HORIZ FORCE IN ONE DIRECTION & 30% OF HORIZ FORCE IN THE PERP DIRECTION.



SHEET TITLE: DESIGN CRITERIA & LOAD COMBINATIONS



CYS STRUCTURAL ENGINEERS, INC.

2710 GATEWAY OAKS DRIVE, SUITE 190N
SACRAMENTO, CA 95833

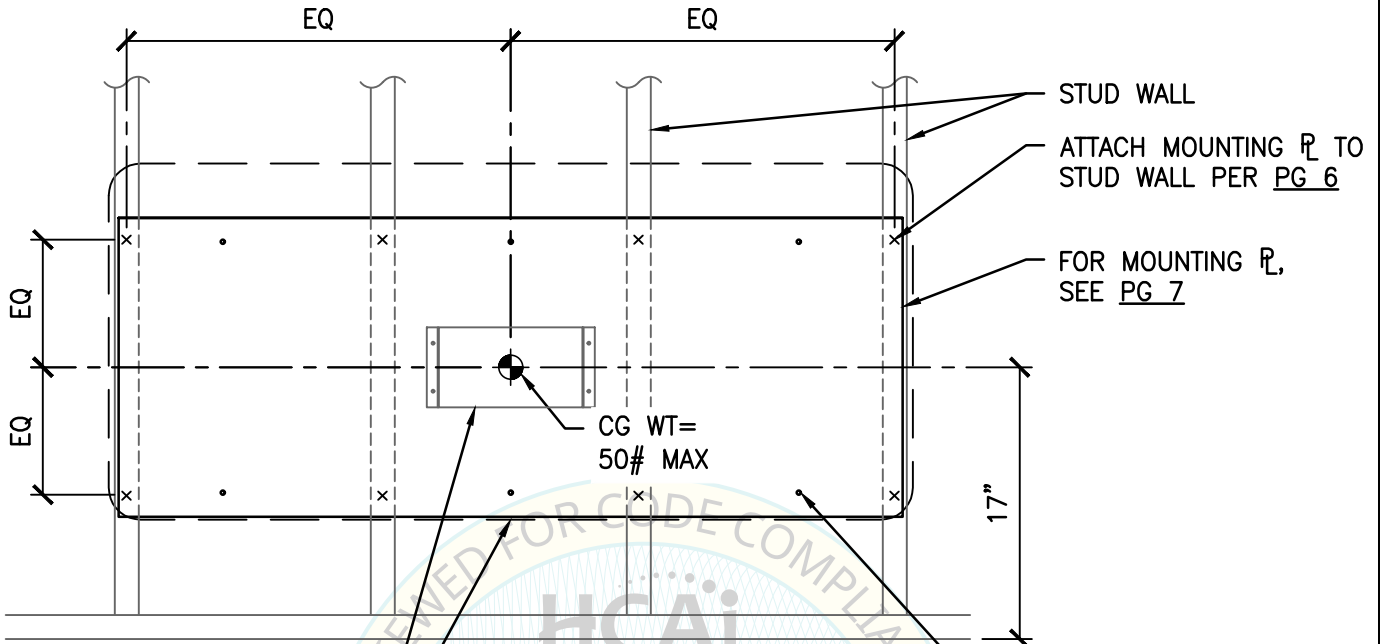
TEL (916) 920-2020
www.cyseng.com

Job No: 24069

Date: 01-07-2025

Page: 4 of 7

BED LOCATOR

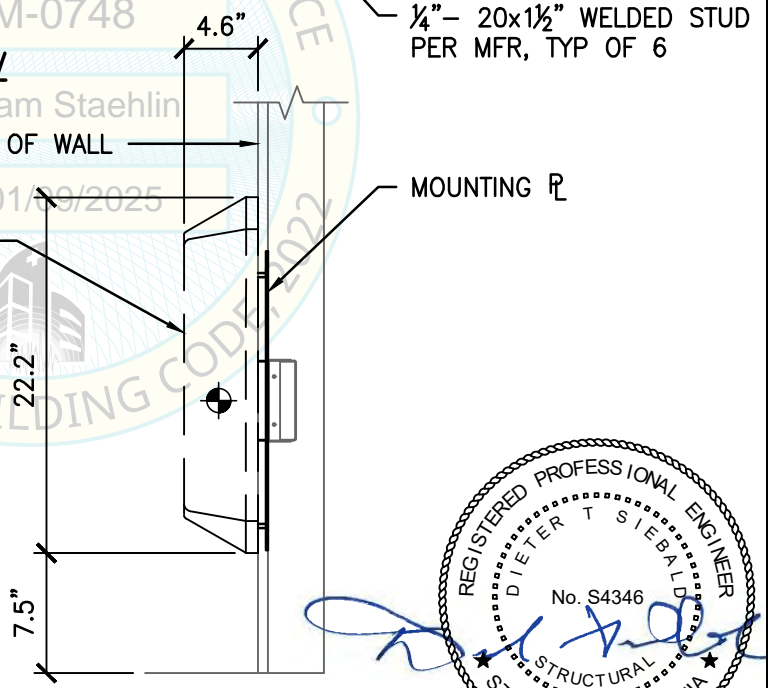


BACKBOX PER MFR
BED BUMPER/LOCATOR
OUTLINE

FRONT ELEV

OPM-0748
BY: William Staehlin
FACE OF WALL
DATE: 01/09/2025

BED BUMPER/LOCATOR



SIDE ELEV



SHEET TITLE: WALL MOUNTED BED LOCATOR
ELEVATION

<p>CYS STRUCTURAL ENGINEERS, INC. 2710 GATEWAY OAKS DRIVE, SUITE 190N SACRAMENTO, CA 95833</p>	TEL (916) 920-2020 www.cyseng.com	Job No: 24069 Date: 01-07-2025 Page: 5 of 7
---	--------------------------------------	---

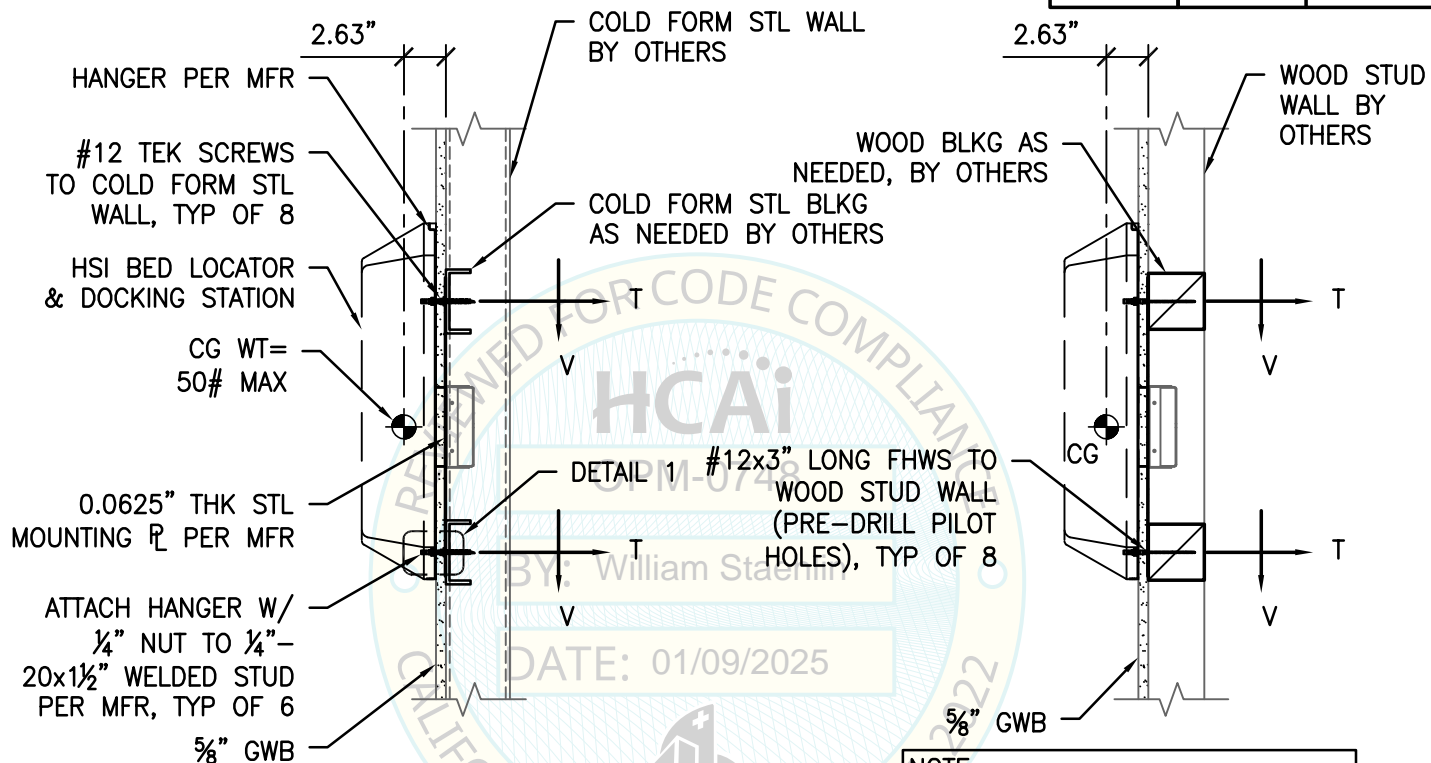
c:\Users\comachom\appdata\local\temp\AcPublish_63600\S1.dwg Time:Jan07,2025--09:34am Login:comachom DimScale:1 LTScale:6

BED LOCATOR



MAX ASD FORCES
AT EA SCREW (LBS)
16 GA MOUNTING \varnothing
TO WALL STUDS

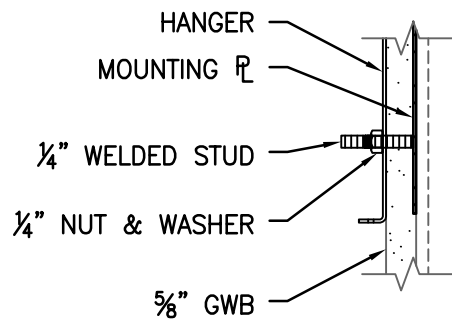
	T (LBS)	V (LBS)
CASE 1	23#	32#



STEEL STUD WALL SECTION

NOTE:
FOR INFO NOT SHOWN OR NOTED,
SEE STEEL STUD WALL SECTION

WOOD STUD WALL SECTION



NOTE:
SEE WALL SECTIONS ABV
FOR MOUNTING \varnothing
ATTACHMENT TO WALL STUDS

DETAIL 1 HANGER ATTACHMENT



SHEET TITLE: WALL MOUNTED BED LOCATOR
WALL SECTIONS



CYS STRUCTURAL ENGINEERS, INC.

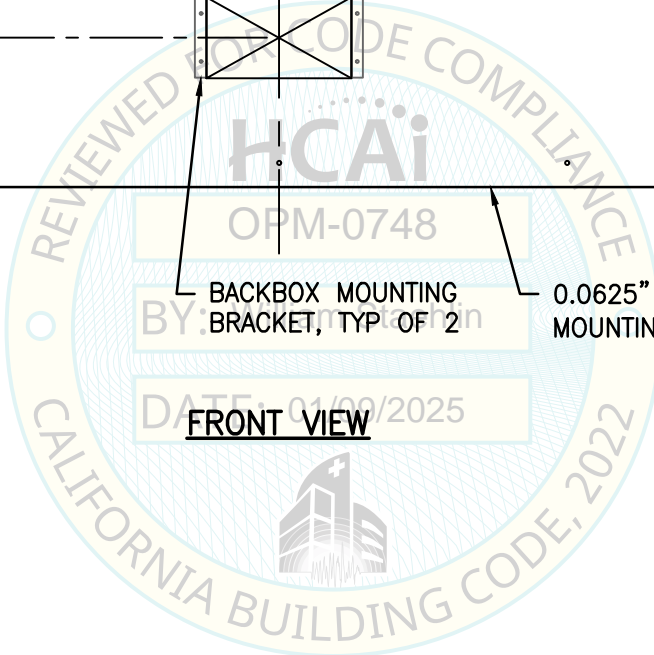
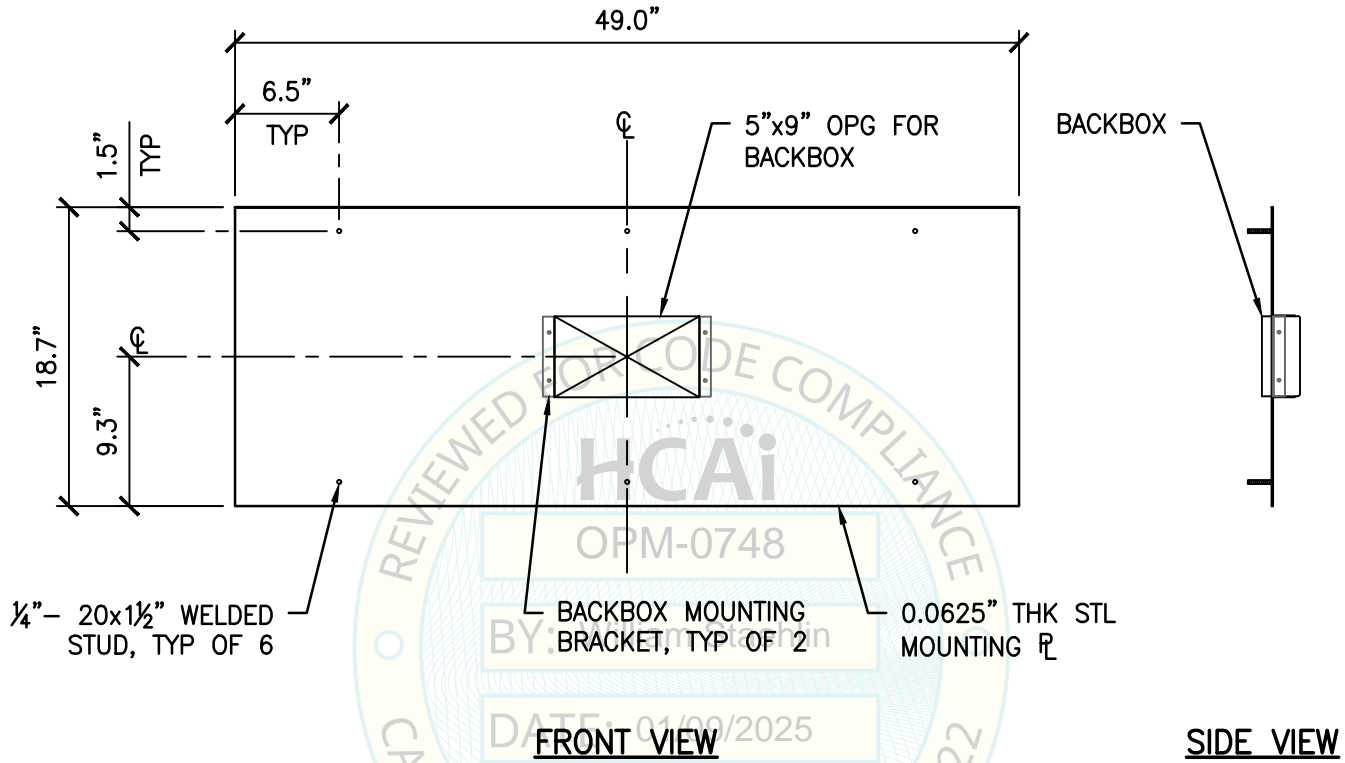
2710 GATEWAY OAKS DRIVE, SUITE 190N
SACRAMENTO, CA 95833

TEL (916) 920-2020
www.cyseng.com

Job No: 24069
Date: 01-07-2025
Page: 6 of 7

L:\Jobs24\24069 HSI -New OPM for Bed Locator\ACAD\STRU\S1.dwg Time:Jan07,2025-01:28pm Login:camachom DimScale:1 LTScale:6

BED LOCATOR



SHEET TITLE: WALL MOUNTING PLATE DETAIL

<p>CYS STRUCTURAL ENGINEERS, INC. 2710 GATEWAY OAKS DRIVE, SUITE 190N SACRAMENTO, CA 95833</p>	TEL (916) 920-2020 www.cyseng.com	Job No: 24069 Date: 01-07-2025 Page: 7 of 7

c:\Users\comachom\appdata\local\temp\AcPublish_63600\S1.dwg Time:Jan07,2025--09:34am Login:comachom DimScale:1 LTScale:6