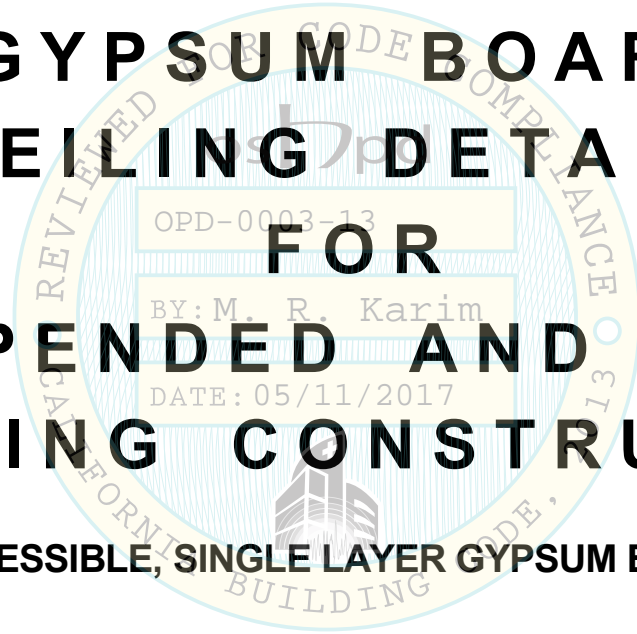



**2013 CBC  
STANDARD  
GYPSUM BOARD  
CEILING DETAILS  
FOR  
SUSPENDED AND JOIST  
FRAMING CONSTRUCTION  
(NON-ACCESSIBLE, SINGLE LAYER GYPSUM BOARD CEILING)**



DRAWING INDEX	REVISIONS
<p><b>GXX DRAWING INDEX, NARRATIVE AND FLOWCHART</b></p> <p>GXX.00 DRAWING INDEX - PAGE 1 OF 2                      GXX.01 DRAWING INDEX - PAGE 2 OF 2                      GXX.02 NARRATIVE - PAGE 1 OF 3                      GXX.03 NARRATIVE - PAGE 2 OF 3                      GXX.04 NARRATIVE - PAGE 3 OF 3                      GXX.05 FLOWCHART - OVERVIEW OF OPD USE                      GXX.06 FLOWCHART - SUSPENDED CEILING: CEILING GRID                      GXX.07 FLOWCHART - SUSPENDED CEILING: STRUT &amp; OBSTRUCTIONS                      GXX.08 FLOWCHART - SUSPENDED CEILING: CONNECTIONS TO STRUCTURE                      GXX.09 FLOWCHART - JOIST FRAME CEILING</p> <p><b>GX1 SUSPENDED CEILING FRAMING COMPONENTS</b></p> <p>GX1.10 POWER ACTUATED FASTENER (PAF) IN CONCRETE OVER METAL DECK OR CONCRETE SLAB - PAGE 1 OF 2</p> <p>GX1.11 POWER ACTUATED FASTENER (PAF) IN CONCRETE OVER METAL DECK OR CONCRETE SLAB - PAGE 2 OF 2</p> <p>GX1.13 POWER ACTUATED FASTENER (PAF) GENERAL NOTES (INSTALLED IN CONCRETE FILLED METAL B DECK)</p> <p>GX1.14 POWER ACTUATED FASTENER (PAF) ALLOWABLE STRENGTHS (INSTALLED IN CONCRETE FILLED METAL B DECK)</p> <p>GX1.12 POWER ACTUATED FASTENER (PAF) IN STEEL                      GX1.20 EXPANSION ANCHOR GENERAL NOTES                      GX1.21 EXPANSION ANCHOR ALLOWABLE STRENGTHS                      GX1.22 EXPANSION ANCHOR GENERAL NOTES (INSTALLED IN CONCRETE FILLED METAL B DECK)                      GX1.23 EXPANSION ANCHOR ALLOWABLE STRENGTHS (INSTALLED IN CONCRETE FILLED METAL B DECK)                      GX1.30 SHEET METAL SCREW GENERAL NOTES 3-13                      GX1.31 SHEET METAL SCREW ALLOWABLE STRENGTHS - PAGES 1 OF 2                      GX1.32 SHEET METAL SCREW ALLOWABLE STRENGTHS - PAGES 2 OF 2                      GX1.40 METAL STUD PROFILES</p> <p><b><u>GYP-BOARD SUSPENDED CEILING</u></b></p> <p><b>CG0 GENERAL NOTES</b></p> <p>CG0.00 GENERAL NOTES - PAGE 1 OF 5                      CG0.01 GENERAL NOTES - PAGE 2 OF 5                      CG0.02 GENERAL NOTES - PAGE 3 OF 5                      CG0.03 GENERAL NOTES - PAGE 4 OF 5                      CG0.04 GENERAL NOTES - PAGE 5 OF 5</p> <p><b>CG2 SUSPENDED CEILING BRACING ASSEMBLY</b></p> <p>CG2.10 SUSPENDED CEILING BRACING ASSEMBLY                      CG2.20 TYPICAL CEILING PLAN FOR <math>1.73 &lt; S \leq 2.50</math> AND <math>z/h \leq 1.0</math>                      CG2.21 TYPICAL CEILING PLAN FOR <math>1.15 &lt; S \leq 1.73</math> AND <math>z/h \leq 1.0</math>                      CG2.22 TYPICAL CEILING PLAN FOR <math>S \leq 1.15</math> AND <math>z/h \leq 1.0</math>                      CG2.30 CEILING PERIMETER                      CG2.31 SPLICE DETAILS                      CG2.32 SADDLE TIE DETAILS                      CG2.40 EXPANSION JOINT AT INTERSECTIONS                      CG2.70 SURFACE MOUNTED FIXTURE                      CG2.71 RECESSED LIGHT FIXTURE                      CG2.72 RECESSED COVE LIGHT FIXTURE</p> <p><b>CG3 STRUT DETAIL</b></p> <p>CG3.10 STRUT &amp; BRACING WIRE ASSEMBLY - METAL STUD TYPE STRUT                      CG3.20 STRUT &amp; BRACING WIRE ASSEMBLY - TUBE TYPE STRUT</p>	<div style="border: 1px solid black; padding: 5px; margin: 10px auto; width: 80%;">                         BY: M. R. Karim                     </div> <div style="border: 1px solid black; padding: 5px; margin: 10px auto; width: 80%;">                         DATE: 05/11/2017                     </div> <div style="text-align: center; margin: 10px auto;">  </div>
<p>Section Title : OSHPD STANDARD GYPSUM BOARD CEILING DETAILS</p> <p>Sheet Title : <b>DRAWING INDEX - PAGE 1 OF 2</b></p>	<p>OPD No:</p> <p style="font-size: 24pt; font-weight: bold;">GXX.00</p>

5/19/2017 9:07:30 AM

**DRAWING INDEX**

**REVISIONS**

- CG4 HANGER AND BRACING WIRE CONNECTION DETAILS**
- CG4.10 HANGER AND BRACING WIRE CONNECTION - TYPICAL WIRE TURNS
  - CG4.11 HANGER AND BRACING WIRE CONNECTION MATRIX
  - CG4.21 HANGER WIRE – CONCRETE OVER METAL DECK
  - CG4.22 HANGER WIRE – CONCRETE SLAB, BEAM, OR JOIST
  - CG4.23 HANGER WIRE – STRUCTURAL STEEL
  - CG4.24 HANGER WIRE – SAWN TIMBER
  - CG4.25 HANGER WIRE – METAL STUD WALL
  - CG4.31 BRACING WIRE – CONCRETE OVER METAL DECK
  - CG4.32 BRACING WIRE – CONCRETE SLAB, BEAM, OR JOIST
  - CG4.33 BRACING WIRE – STRUCTURAL STEEL
  - CG4.34 BRACING WIRE – SAWN TIMBER
  - CG4.35 BRACING WIRE – METAL STUD WALL

- CG5 STRUT CONNECTION DETAILS**
- CG5.10 STRUT CONNECTION MATRIX
  - CG5.20 STRUT CONNECTION TO CONCRETE OVER METAL DECK
  - CG5.30 STRUT CONNECTION TO CONCRETE SLAB, BEAM OR JOIST
  - CG5.40 STRUT CONNECTION TO STRUCTURAL STEEL
  - CG5.50 STRUT CONNECTION TO SAWN TIMBER WITH GYPSUM BOARD
  - CG5.60 STRUT CONNECTION TO SAWN TIMBER WITHOUT GYPSUM BOARD

- CG6 OBSTRUCTION DETAILS**
- CG6.10 OBSTRUCTION – TRAPEZE CONDITION
  - CG6.20 OBSTRUCTION – BRIDGE AT LARGE OFFSET CONDITION
  - CG6.30 OBSTRUCTION – COUNTER SLOPING STRUTS
  - CG6.40 OBSTRUCTION – RECESSED LIGHT AT PERIMETER
  - CG6.50 OBSTRUCTION – STUD KICKER TO OVERHEAD
  - CG6.60 OBSTRUCTION – STUD KICKER TO WALL - PAGE 1 OF 2
  - CG6.61 OBSTRUCTION – STUD KICKER TO WALL - PAGE 2 OF 2

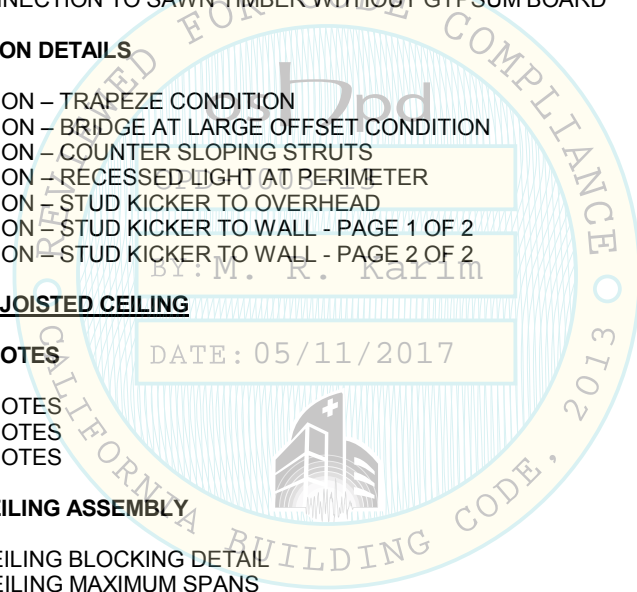
**GYP-BOARD CONVENTIONAL JOISTED CEILING**

**CJ0 GENERAL NOTES**

- CJ0.00 GENERAL NOTES
- CJ0.01 GENERAL NOTES
- CJ0.02 GENERAL NOTES

**CJ2 JOISTED CEILING ASSEMBLY**

- CJ2.10 JOISTED CEILING BLOCKING DETAIL
- CJ2.20 JOISTED CEILING MAXIMUM SPANS
- CJ2.30 JOISTED CEILING CONNECTIONS
- CJ2.31 JOISTED CEILING AT OPENINGS



Section Title : OSHPD STANDARD GYPSUM BOARD CEILING DETAILS

Sheet Title : DRAWING INDEX - PAGE 2 OF 2

OPD No:

**GXX.01**

**NARRATIVE**

2013 California Building Code (2013 CBC) Standard Gypsum Board Ceiling Details document contains OSHPD Pre-Approved Details (OPD), which may be incorporated into construction documents. These details have been reviewed for compliance with the 2013 CBC and, when used as shown, without modifications, are deemed to comply with code. They are intended to cover common conditions that occur on many projects. It is anticipated that use of these details will facilitate the design, review, and construction process.

The Narrative and supporting Flowchart, which follows the Narrative, are provided to assist in selecting applicable details from the OPD for incorporation into the construction documents. It is to be used only as a guide and does not provide complete step-by-step instructions for use of the OPD. Narrative comment numbers correspond to the numbered items on the Flowchart.

The following steps apply to the use of OPD:

**1. Define Project Parameters**

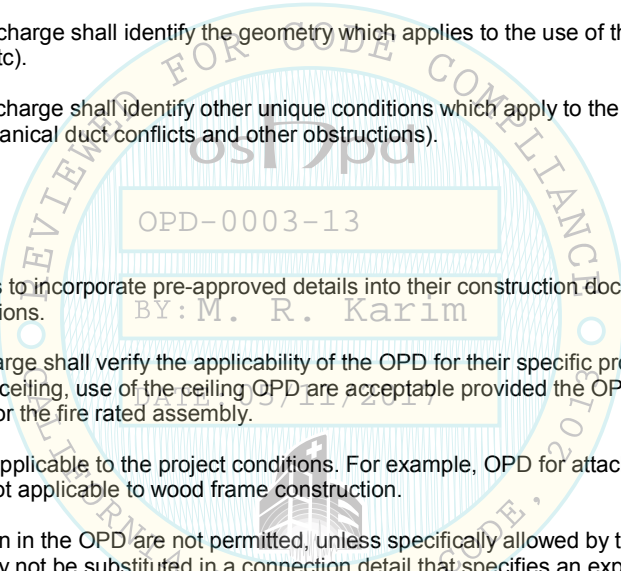
- A. Short Period Spectral Response Acceleration ( $S_{DS}$ ) for project site.
  - i. The ( $S_{DS}$ ) identified for use with the OPD shall not be lower than the  $S_{DS}$  documented in the project General Notes and/or Specifications.
- B. Type of construction.
  - i. The Registered Design Professional (RDP) in responsible charge shall identify the floor and/or roof framing materials which apply to the use of the OPD under consideration (e.g. wood, concrete, metal deck, etc).
- C. Project specific geometry and other conditions.
  - i. The RDP in responsible charge shall identify the geometry which applies to the use of the OPD under consideration (e.g. floor-to-ceiling height, etc).
  - ii. The RDP in responsible charge shall identify other unique conditions which apply to the use of the OPD under consideration (e.g. mechanical duct conflicts and other obstructions).

**2. Verify Applicability of OPD**

Refer to PIN 51.

OPD allow design professionals to incorporate pre-approved details into their construction documents. Projects that utilize OPD shall satisfy the following conditions.

- A. The RDP in responsible charge shall verify the applicability of the OPD for their specific project conditions. For example, when designing a fire-rated ceiling, use of the ceiling OPD are acceptable provided the OPD are compatible with the construction requirements for the fire rated assembly.
- B. The OPD must be directly applicable to the project conditions. For example, OPD for attachment of a ceiling below a steel deck with concrete fill are not applicable to wood frame construction.
- C. Substitutions of items shown in the OPD are not permitted, unless specifically allowed by the OPD. For example, a power-actuated fastener (PAF) may not be substituted in a connection detail that specifies an expansion anchor, unless the OPD specifically permits it. Use of post-installed anchors from different manufacturers is permitted, provided the substituted anchors meet the installation criteria and Allowable Strengths as specified in the OPD. See item #6 of the general notes on CG0.00.
- D. Changes to the OPD to accommodate project conditions are not permitted. In such cases, project specific details are required.



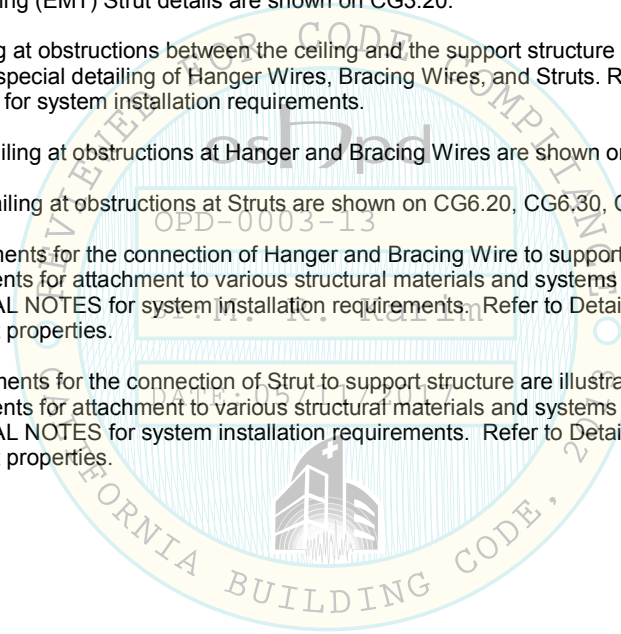
OPD-0003-13  
BY: M. R. Karim

Section Title : OSHPD STANDARD GYPSUM BOARD CEILING DETAILS	OPD No:
Sheet Title : <b>NARRATIVE - PAGE 1 OF 3</b>	<b>GXX.02</b>

**3. Select Appropriate Details from OPD for Suspended Gyp Board Ceilings**

Review OPD General Notes before the start of OPD selection process.

- A. The GENERAL NOTES section of this OPD document provides detailed specification of the materials and the workmanship associated with the details. The RDP in responsible charge shall confirm the applicability of the OPD details and the specifications noted in this section (CG0.00, CG0.01, CG0.02, CG0.03, CG0.04). Refer to CG2.10 to confirm general configuration requirements.
- B. Typical geometric conditions shall be verified from CG2.20 to CG2.22. Refer to Note 10 of the GENERAL NOTES for system component requirements.
- C. Ceiling boundary condition shall be provided in conformance with the requirements detailed on CG2.30. Refer to Note 11 of the GENERAL NOTES for system installation requirements.
- D. CG2.70 and CG2.71 show the necessary detailing requirements for the support of Fixtures suspended directly from the ceiling system. Refer to Note 15 of the GENERAL NOTES.
- E. Hanger and Bracing Wire specifications are shown in Note 9 of the GENERAL NOTES. CG4.10 graphically illustrates the requirements of the specifications at the terminal ends of the wire.
- F. Strut requirements are detailed in CG3.10 and CG3.20. Metal Stud and Electrical Metallic Tubing (EMT) are the two types of Struts that are included within the scope of this OPD. Refer to Note 13 of the GENERAL NOTES for system installation requirements:
  - i. Metal Stud Type Strut details are shown on CG3.10.
  - ii. Electrical Metallic Tubing (EMT) Strut details are shown on CG3.20.
- G. Requirements for detailing at obstructions between the ceiling and the support structure are illustrated in CG6.XX. Different obstruction types require special detailing of Hanger Wires, Bracing Wires, and Struts. Refer to Note 14 of the GENERAL NOTES for system installation requirements.
  - i. Requirements for detailing at obstructions at Hanger and Bracing Wires are shown on CG6.10, CG6.20, CG6.40, CG6.50, & CG6.60.
  - ii. Requirements for detailing at obstructions at Struts are shown on CG6.20, CG6.30, CG6.50, & CG6.60.
- H. Connection detail requirements for the connection of Hanger and Bracing Wire to support structure are illustrated in Details CG4.XX. Detail requirements for attachment to various structural materials and systems are included in these details. Refer to Note 14 of the GENERAL NOTES for system installation requirements. Refer to Details GX1.XX for fastener design capacities and component properties.
- I. Connection detail requirements for the connection of Strut to support structure are illustrated in Details CG5.XX. Detail requirements for attachment to various structural materials and systems are included in these details. Refer to Note 14 of the GENERAL NOTES for system installation requirements. Refer to Details GX1.XX for fastener design capacities and component properties.



Section Title : OSHPD STANDARD GYPSUM BOARD CEILING DETAILS		OPD No:
Sheet Title : NARRATIVE - PAGE 2 OF 3		<b>GXX.03</b>

**4. Select Appropriate Details from OPD for Gyp Board Ceilings with Joist Framing**

Review OPD General Notes before the start of OPD selection process.

- A. The GENERAL NOTES section of this OPD document provides detailed specification of the materials and the workmanship associated with the details. The RDP in responsible charge shall confirm the applicability of the OPD details and the specifications noted in drawings CJ0.XX. Refer to CJ2.10 and CJ2.20 to confirm general configuration requirements.
- B. Typical studs shall be selected based on the corridor span in accordance with CJ2.20.
- C. Stud connections are detailed on CJ2.30.
- D. Requirements at openings in the ceiling are shown on CJ2.31.

**5. Implementation and Use of OPD During Plan Review**

Refer to PIN 51.

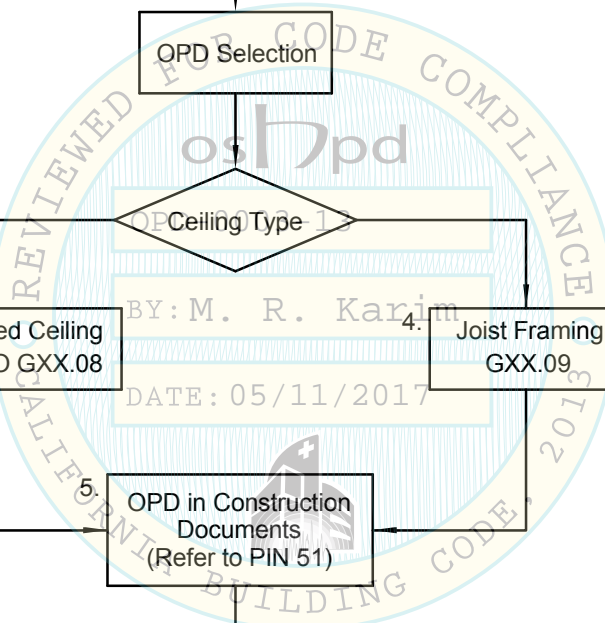
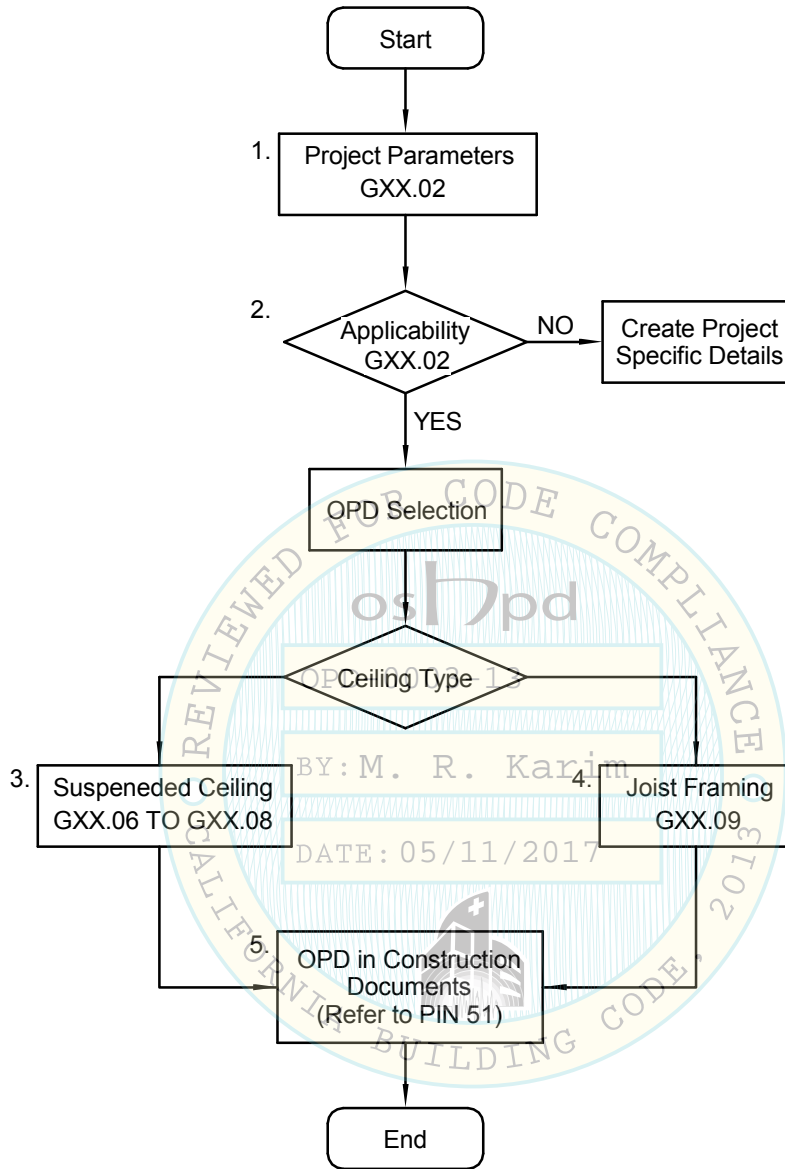
**6. Implementation and Use of OPD During Construction Process**

Refer to PIN 51.

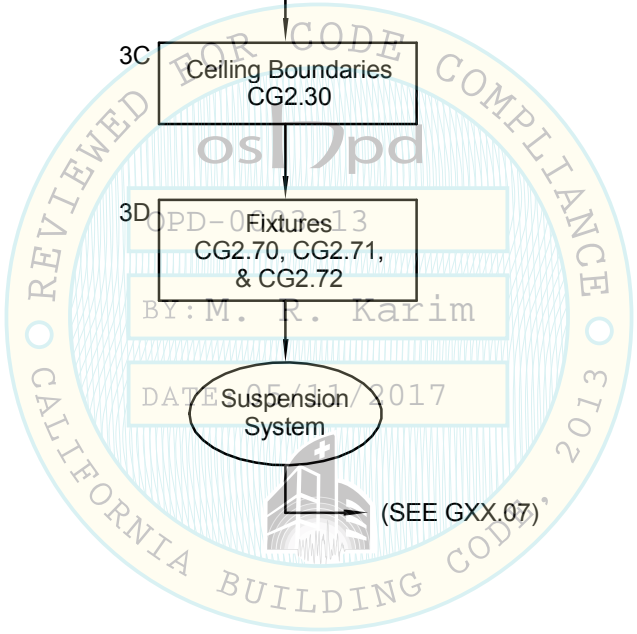
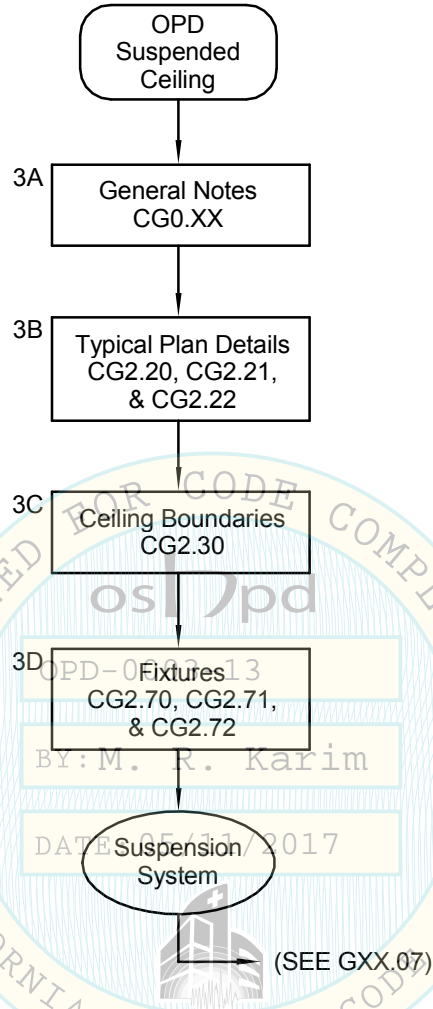
- A. During construction, OPD are treated as any other detail in the approved construction documents.
- B. Pre-approved details submitted after the construction documents have been approved and a building permit has been issued shall be used and/or processed in accordance with Code Application Notice 2-107.4 "Amended Construction Documents." Pre-approved details may be applied as alternates to the approved details shown on the permitted construction documents only on a one for one basis and with written consent of the registered design professional and the registered design professional in responsible charge and in concurrence with OSHPD field staff. Pre-approved details are exempt from additional plan review provided they are incorporated without any modifications. Pre-approved details are subject to field confirmation at which time the applicability of the pre-approved details for specific project conditions shall be evaluated.
- C. Changing the scope of a project (adding additional ceilings, for example) does constitute a material alteration to the project, even if OPD can be used for all conditions. In such a case, an Amended Construction Document shall be submitted to OSHPD field staff for review.



Section Title : OSHPD STANDARD GYPSUM BOARD CEILING DETAILS		OPD No:  <b>GXX.04</b>
Sheet Title : NARRATIVE - PAGE 3 OF 3		

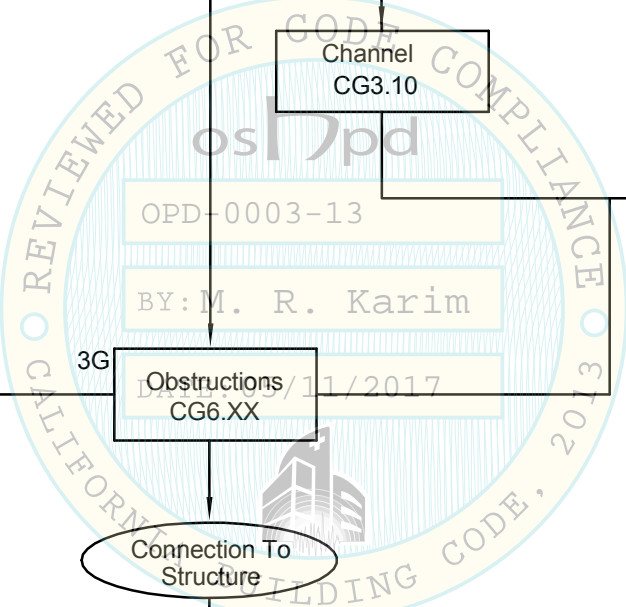
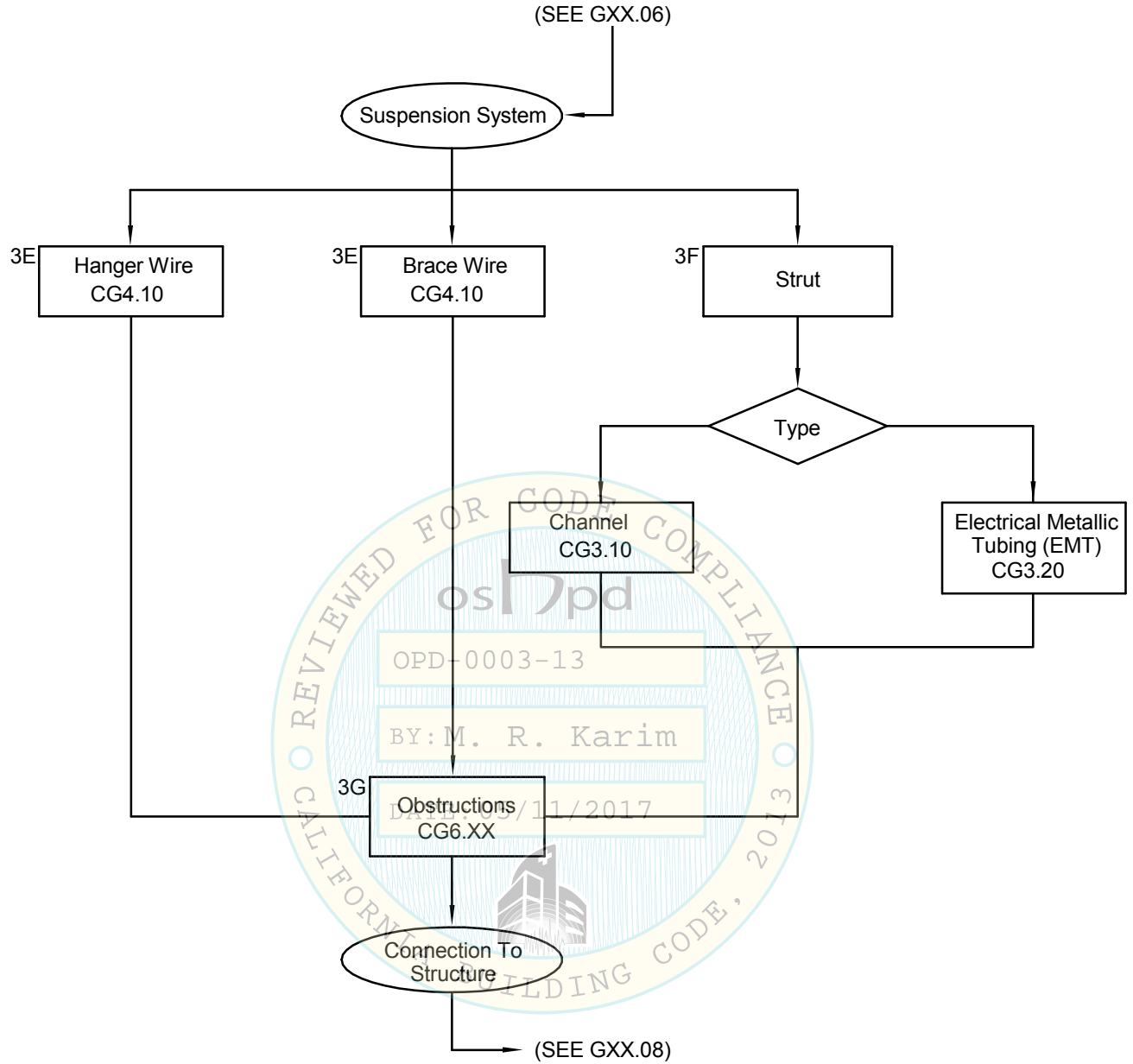


Section Title : OSHPD STANDARD GYPSUM BOARD CEILING DETAILS		OPD No:
Sheet Title : FLOWCHART - OVERVIEW OF OPD USE		<b>GXX.05</b>



Section Title : OSHPD STANDARD GYPSUM BOARD CEILING DETAILS		OPD No:
Sheet Title : <b>FLOWCHART - SUSPENDED CEILING: CEILING GRID</b>		<b>GXX.06</b>



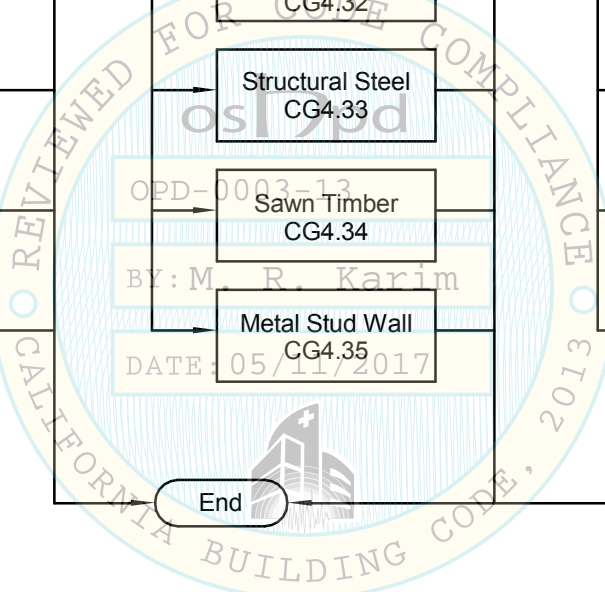
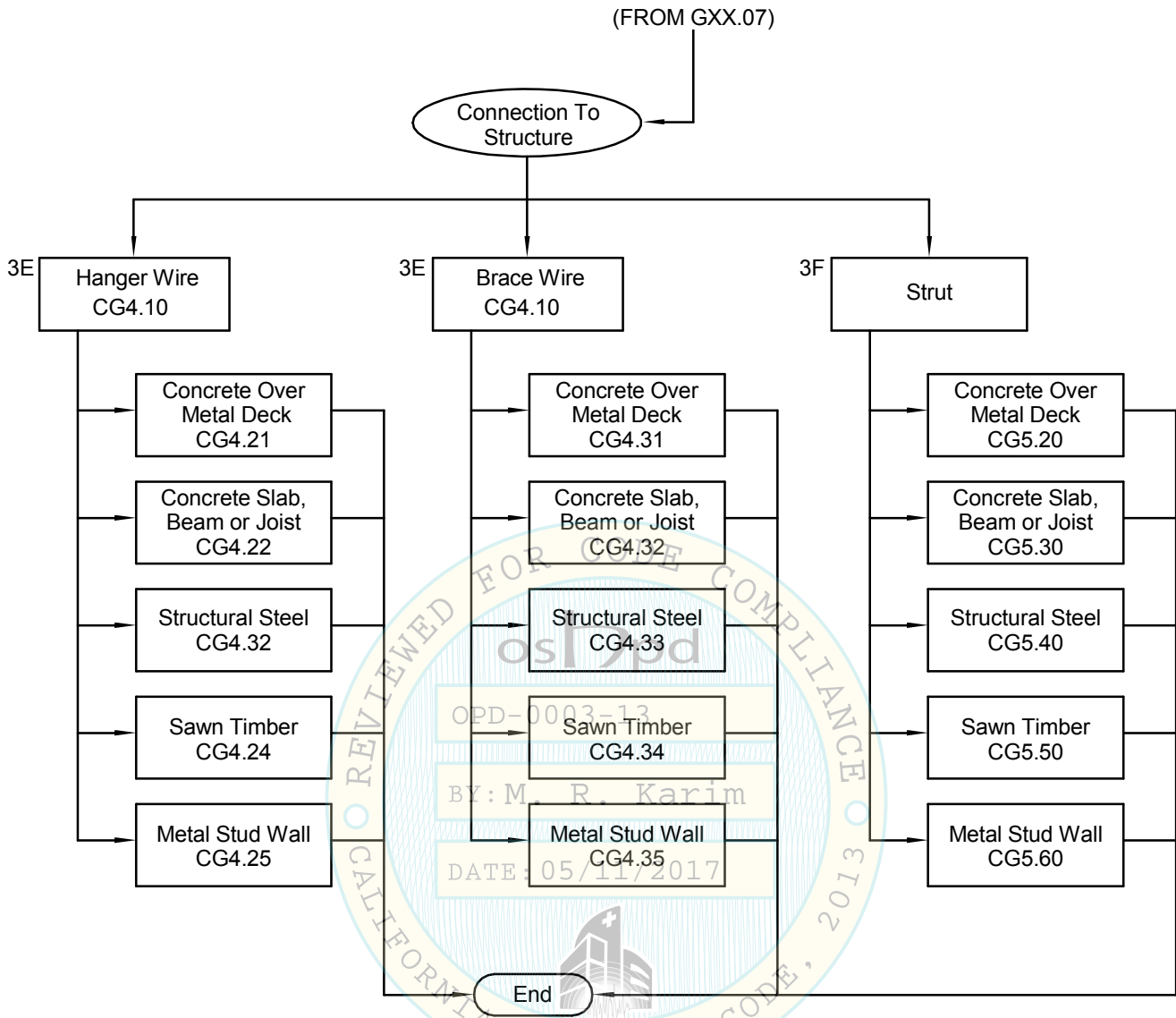


Section Title : OSHPD STANDARD GYPSUM BOARD CEILING DETAILS

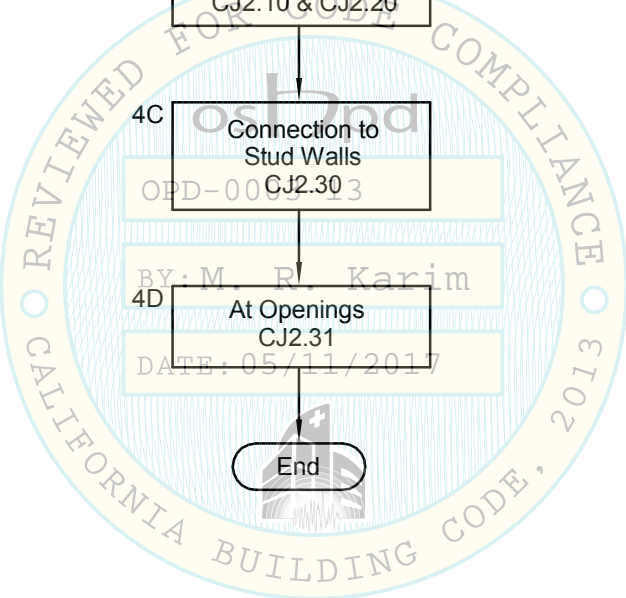
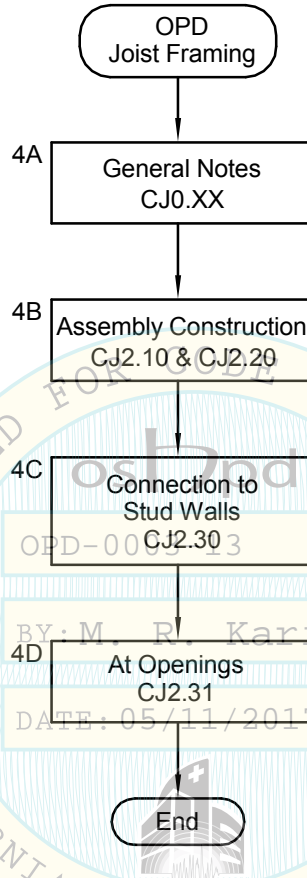
OPD No:

Sheet Title : FLOWCHART - SUSPENDED CEILING:  
STRUT AND OBSTRUCTIONS

GXX.07



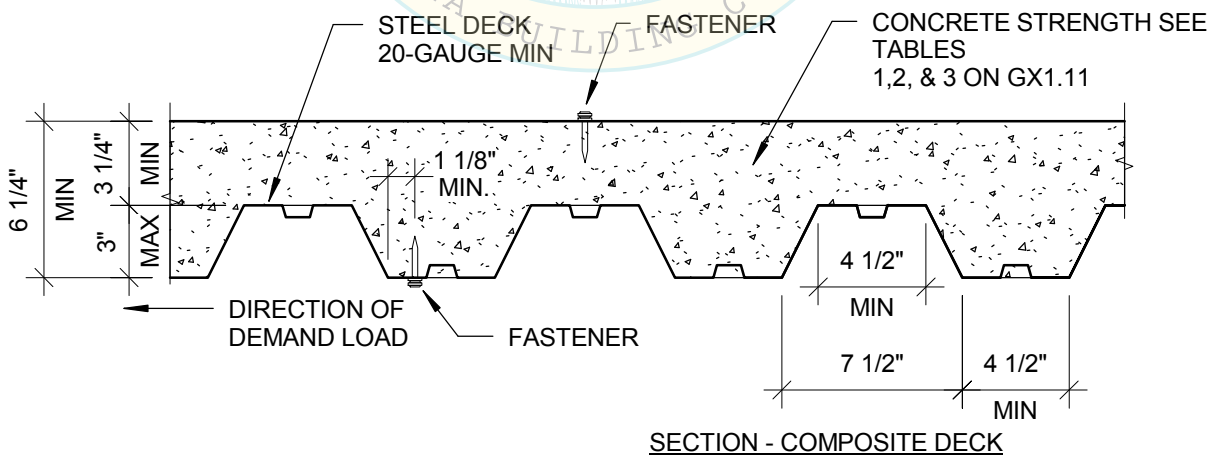
Section Title : OSHPD STANDARD GYPSUM BOARD CEILING DETAILS		OPD No:
Sheet Title : <b>FLOWCHART - SUSPENDED CEILING: CONNECTIONS TO STRUCTURE</b>		<b>GXX.08</b>



Section Title : OSHPD STANDARD GYPSUM BOARD CEILING DETAILS		OPD No:
Sheet Title : FLOWCHART - JOIST FRAMING		<b>GXX.09</b>

**POWER ACTUATED FASTENER (PAF) GENERAL NOTES  
(INSTALLED IN CONCRETE OVER METAL DECK OR CONG SLAB)**

1. POWER ACTUATED FASTENER (PAF), POWDER DRIVEN FASTENERS (PDF), POWER DRIVEN PINS (PDP), SHOT PINS ALL REPRESENT THE SAME FASTENER AND WILL HEREAFTER BE REFERRED TO AS POWER ACTUATED FASTENERS (PAF).
2. ALLOWABLE STRENGTHS SHALL BE COMPARED TO ALLOWABLE STRESS DESIGN (ASD) LEVEL DEMAND IN ACCORDANCE WITH THE 2013 CBC SECTION 1605A.3.1.
3. ALLOWABLE STRENGTHS ARE FOR A SINGLE FASTENER WHICH MEET REQUIREMENTS IN SECTIONS BELOW AND TABLES ON GX1.11. THE ALLOWABLE STRENGTHS ARE BASED UPON THE LEAST OF THE ALLOWABLE STRENGTHS LISTED IN THE ICC ESRs 1799, 2024, 2138 & 2269.
4. MINIMUM CONCRETE STRENGTH  $f'_c = 2000$  PSI FOR NORMAL WEIGHT CONCRETE AND  $f'_c = 3000$  PSI FOR ALL LIGHT WEIGHT CONCRETE UNLESS OTHERWISE NOTED.
5. POWER ACTUATED FASTENER INSTALLED THROUGH LOW FLUTES OF THE METAL DECK SHALL MEET THE REQUIREMENTS OF THE INSTALLATION CRITERIA AND SECTIONS BELOW.
6. MINIMUM EDGE DISTANCE OF 1 1/8" FROM THE EDGE OF METAL DECK WEB AND 4" FROM THE EDGE OF THE DECK.
7. STEEL DECK TO BE A MINIMUM OF 20GA.
8. CONCRETE FILL DEPTH ABOVE THE TOP OF METAL DECK SHALL BE A MINIMUM OF 3 1/4" LIGHT WEIGHT CONCRETE.
9. PAF SHALL NOT BE USED TO RESIST SEISMIC SHEAR FORCES EXCEPT AT INTERIOR NON-LOAD BEARING, NON-SHEAR WALL PARTITION WALLS (AS PERMITTED BY 2013 CBC SECTION 1908A.1.1) AND COMPONENTS EXEMPT FROM CONSTRUCTION DOCUMENT REVIEW BY 2013 CBC SECTION 1616A.1.18 (NOT PERMITTED TO TAKE SEISMIC SHEAR BY ICC-ES AC70 FOR ANY OTHER CONDITIONS). PAF SHALL NOT BE USED TO CARRY SEISMIC TENSION LOADS (EXCEPT FOR VERTICAL SEISMIC LOAD PRODUCED BY SELF WEIGHT OF THE COMPONENTS) OR IN CRACKED CONCRETE UNLESS APPROVED FOR SUCH LOADING BY OSHPD.
10. PAF SHALL NOT BE USED IN PRE-STRESSED CONCRETE UNLESS NON-DESTRUCTIVE TESTING METHODS ARE USED TO LOCATE STRAND AND REINFORCEMENT PRIOR TO FASTENER INSTALLATION.
11. PAF INSTALLATION SHALL NOT NICK OR DAMAGE EXISTING CONCRETE REINFORCEMENT. SHOULD THIS OCCUR THE RDP IN RESPONSIBLE CHARGE SHALL BE NOTIFIED IMMEDIATELY. PAF SHALL BE INSTALLED 1" CLEAR OF EXISTING REINFORCEMENT. THIS MAY REQUIRE NON-DESTRUCTIVE TESTING.
12. PAF SHALL BE INSTALLED PER CURRENT ICC-ES EVALUATION REPORTS (OR REPORTS FROM OTHER TESTING AGENCIES ACCEPTABLE TO OSHPD).
13. TESTING OF PAF SHALL BE IN ACCORDANCE WITH 2013 CBC SECTION 1913A.7. MINIMUM CONCRETE SUBSTRATE THICKNESS SHALL BE THREE TIMES THE PAF PENETRATION INTO THE CONCRETE SUBSTRATE.
14. TESTING IS NOT REQUIRED OF PAF USED TO ATTACH TRACKS OF INTERIOR NON-SHEAR WALL PARTITIONS FOR SHEAR ONLY WHERE THERE ARE AT LEAST THREE FASTENERS.
15. TOTAL ALLOWABLE LOADS IN TENSION, SHEAR OR TENSION SHEAR COMBINATIONS SHALL NOT EXCEED 90 LBS AS PERMITTED BY EXCEPTION TO ASCE 7-10 SECTION 13.4.5.
16. REFER TO NOTE 6d ON CG0.00 FOR ADDITIONAL PAF REQUIREMENTS.



Section Title : OSHPD STANDARD GYPSUM BOARD CEILING DETAILS	OPD No:
Sheet Title : POWER ACTUATED FASTENER (PAF) IN CONCRETE OVER METAL DECK OR CONCRETE SLAB - PAGE 1 OF 2	<b>GX1.10</b>

**POWER ACTUATED FASTENER (PAF) ALLOWABLE STRENGTHS  
(INSTALLED IN CONCRETE OVER METAL DECK OR CONC SLAB)**

**TABLE 1**

POWER ACTUATED FASTENER INSTALLED IN SAND-LIGHTWEIGHT CONCRETE THROUGH METAL DECK  
(f<sub>c</sub> MIN=3000 PSI)

NOMINAL SHANK DIAMETER (IN)	MIN EMBED (IN)	MIN SPACING (IN)	MIN EDGE DISTANCE (IN)	TENSION (LB) (SEE NOTE 15)	SHEAR (LB) (SEE NOTE 15)
0.145 MIN	1 1/4	4	4	90	90

**TABLE 2**

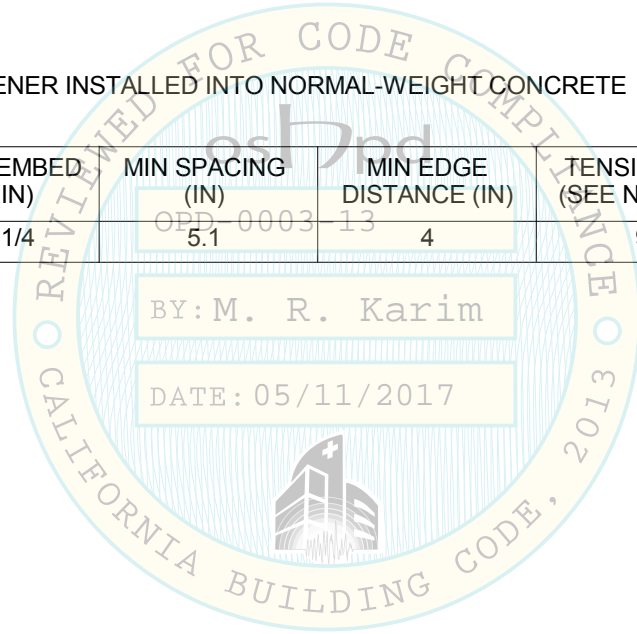
POWER ACTUATED FASTENERS INSTALLED INTO STRUCTURAL SAND-LIGHTWEIGHT CONCRETE  
(f<sub>c</sub> MIN=3000 PSI)

NOMINAL SHANK DIAMETER (IN)	MIN EMBED (IN)	MIN SPACING (IN)	MIN EDGE DISTANCE (IN)	TENSION (LB) (SEE NOTE 15)	SHEAR (LB) (SEE NOTE 15)
0.145 MIN	1 1/4	4	4	90	90

**TABLE 3**

POWER ACTUATED FASTENER INSTALLED INTO NORMAL-WEIGHT CONCRETE  
(f<sub>c</sub> MIN=2000 PSI)

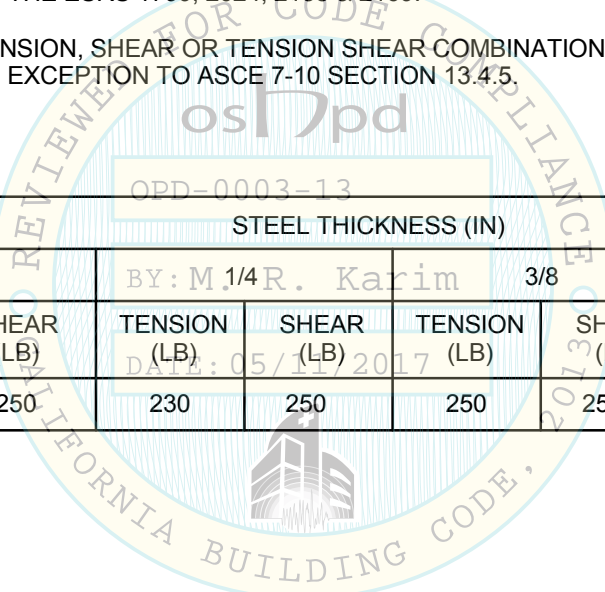
NOMINAL SHANK DIAMETER (IN)	MIN EMBED (IN)	MIN SPACING (IN)	MIN EDGE DISTANCE (IN)	TENSION (LB) (SEE NOTE 15)	SHEAR (LB) (SEE NOTE 15)
0.145 MIN	1 1/4	5.1	4	90	90



Section Title : OSHPD STANDARD GYPSUM BOARD CEILING DETAILS			OPD No:
Sheet Title : POWER ACTUATED FASTENER (PAF) IN CONCRETE OVER METAL DECK OR CONCRETE SLAB - PAGE 2 OF 2			GX1.11

**POWER ACTUATED FASTENER (PAF) GENERAL NOTES (INSTALLED IN STEEL)**

1. MINIMUM STEEL TENSILE STRENGTH  $F_u = 58\text{KSI}$
2. MINIMUM SPACING 1 INCH.
3. MINIMUM EDGE DISTANCE 1/2 INCH.
4. USE KNURLED SHANK.
5. POWER ACTUATED FASTENERS (PAF) SHALL BE INSTALLED PER CURRENT ICC-ES EVALUATION EVALUATION REPORTS OR REPORTS FROM OTHER TESTING AGENCIES ACCEPTABLE TO OSHPD.
6. SEE GENERAL NOTE 6d & 6e ON CG0.00 FOR PAF REQUIREMENTS & ATTACHMENT TO STEEL.
7. POWER ACTUATED FASTENER (PAF), POWEDER DRIVEN FASTENERS (PDF), POWER DRIVEN PINS (PDP), SHOT PINS, ARE COMMON NOMINCLATURES THAT ALL REPRESENT THE SAME FASTENER DESCRIBED HERE IN.
8. ALLOWABLE STRENGTHS SHALL BE COMPARED TO ALLOWABLE STRESS DESIGN (ASD) LEVEL DEMAND IN ACCORDANCE WITH THE 2013 CBC SECTION 1605A.3.1.
9. ALLOWABLE STRENGTHS ARE FOR SINGLE FASTENERS, WHICH MEET THE REQUIREMENTS PER NOTES ABOVE. THE ALLOWABLE STRENGTHS ARE BASED UPON THE LEAST OF THE ALLOWABLE STRENGTHS LISTED IN THE ESRS 1799, 2024, 2138 & 2169.
10. TOTAL ALLOWABLE TENSION, SHEAR OR TENSION SHEAR COMBINATION SHALL NOT EXCEED 250 LBS. AS PERMITTED BY THE EXCEPTION TO ASCE 7-10 SECTION 13.4.5.



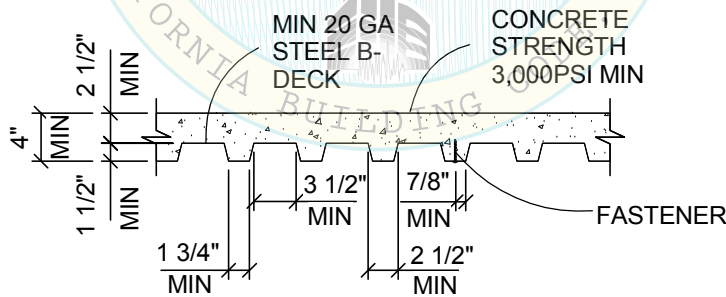
NOMINAL SHANK DIAMETER (IN)	STEEL THICKNESS (IN)							
	3/16		1/4		3/8		1/2	
	TENSION (LB)	SHEAR (LB)	TENSION (LB)	SHEAR (LB)	TENSION (LB)	SHEAR (LB)	TENSION (LB)	SHEAR (LB)
0.145 MIN	155	250	230	250	250	250	190	220

Section Title : OSHPD STANDARD GYPSUM BOARD CEILING DETAILS		<b>GX1.12</b>
Sheet Title : POWER ACTUATED FASTENER (PAF) IN STEEL		

**POWER ACTUATED FASTENER (PAF) GENERAL NOTES (INSTALLED IN CONCRETE FILLED METAL B-DECK)**

1. POWER ACTUATED FASTENER (PAF), POWER DRIVEN FASTENERS (PDF), POWER DRIVEN PINS (PDP), SHOT PINS ALL REPRESENT THE SAME FASTENER AND WILL HEREAFTER BE REFERRED TO AS POWER ACTUATED FASTENERS (PAF).
2. ALLOWABLE STRENGTHS SHALL BE COMPARED TO ALLOWABLE STRESS DESIGN (ASD) LEVEL DEMAND IN ACCORDANCE WITH THE 2013 CBC SECTION 1605A.3.1.
3. ALLOWABLE STRENGTHS ARE FOR A SINGLE FASTENER WHICH MEET REQUIREMENTS PER SECTION BELOW AND TABLES ON GX1.14 THE ALLOWABLE STRENGTHS ARE BASED UPON THE LEAST OF THE ALLOWABLE STRENGTHS LISTED IN ICC ESRs 2024, 2138, & 2269.
4. MINIMUM CONCRETE STRENGTH  $f_c = 3000$  PSI FOR NORMAL WEIGHT CONCRETE AND  $f_c = 3000$  PSI FOR ALL LIGHT WEIGHT CONCRETE UNLESS NOTED OTHERWISE.
5. POWER ACTUATED FASTENER INSTALLED THROUGH LOW FLUTES OF THE METAL DECK SHALL MEET THE REQUIREMENTS OF THE INSTALLTION CRITERIA AND SECTION BELOW.
6. MINIMUM EDGE DISTANC7: OF 7/8" FROM THE EDGE OF METAL DECK WEB AND 4" FROM THE EDGE OF THE DECK.
7. STEEL DECK TO BE A MINIMUM OF 20 GA. B-DECK.
8. CONCRETE FILL DEPTH ABOVE THE TOP OF METAL DECK MUST BE A MINIMUM OF 2 1/2" AT NORMAL WEIGHT OR LIGHT WEIGHT CONCRETE COMPOSITE METAL DECK.
9. PAF SHALL NOT BE USED TO RESIST SEISMIC SHEAR FORCES EXCEPT AT INTERIOR NON-LOAD BEARING, NON-SHEAR WALL PARTITION WALLS (AS PERMITTED BY 2013 CBC 1908A.1.1) AND COMPONENTS EXEMPT FROM CONSTRUCTION DOCUMENT REVIEW BY 2013 CBC SECTION 1616A.1.18 (NOT PERMITTED TO TAKE SEISMIC SHEAR BY ICC-ES AC70 FOR ANY OTHER CONDITIONS). PAF SHALL NOT BE USED TO CARRY SEISMIC TENSION LOADS (EXCEPT FOR VERTICAL SEISMIC LOAD PRODUCED BY SELF WEIGHT OF THE COMPONENTS) OR IN CRACKED CONCRETE UNLESS APPROVED FOR SUCH LOADING BY OSHPD.
10. PAF SHALL NOT BE USED IN PRE-STRESSED CONCRETE UNLESS NON-DESTRUCTIVE TESTING METHODS ARE USED TO LOCATE STRAND & REINFORCING PRIOR TO FASTENER INSTALLATION.
11. PAF INSTALLATION SHALL NOT NICK OR DAMAGE EXISTING CONCRETE REINFORCEMENT. SHOULD THIS OCCUR THE RDP IN RESPONSIBLE CHARGE SHALL BE NOTIFIED IMMEDIATELY. PAF SHALL BE INSTAL" CLEAR OF EXISTING REINFORCEMENT. THIS MAY REQUIRE NON-DESTRUCTIVE TESTING.
12. PAF SHALL BE INSTALLED PER CURRENT ICC-ES EVALUATION REPORTS (OR REPORTS FROM OTHER TESTING AGENCIES ACCEPTABLE TO OSHPD).
13. TESTING OF PAF SHALL BE PER 2013 CBC SECTION 1913A.7. MINIMUM CONCRETE SUBSTRATE THICKNESS IS THREE TIMES THE PAF PENETRATION INTO THE CONCRETE SUBSTRATE.
14. TESTING IS NOT REQUIRED OF PAF USED TO ATTACH TRACKS OF INTERIOR NON-SHEAR WALL PARTITIONS FOR SHEAR ONLY WHERE THERE ARE AT LEAST THREE FASTENERS.
15. TOTAL ALLOWABLE LOADS IN TENSION, SHEAR OR TENSION SHEAR COMBINATIONS SHALL NOT EXCEED 90 LBS AS PERMITTED BY EXCEPTION TO THE ASCE 7-10 SECTION 13.4.5.
16. REFER TO NOTE 6d ON CG0.00 FOR ADDITIONAL PAF REQUIREMENTS.

DATE: 05/11/2017

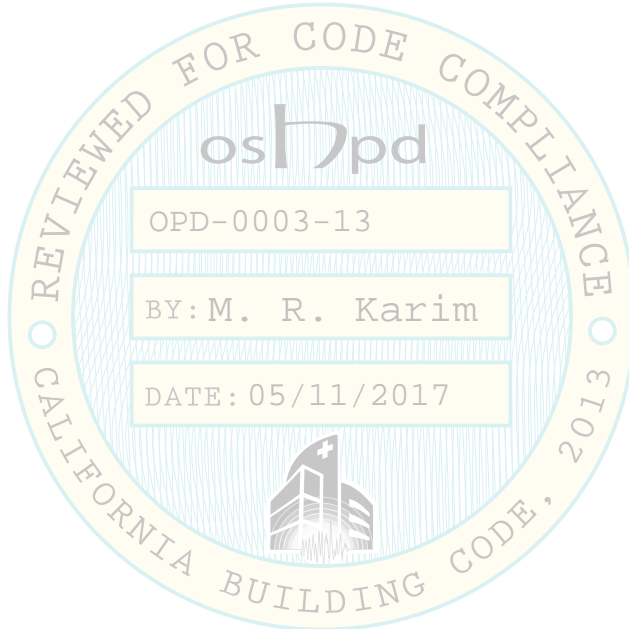


Section Title : OSHPD STANDARD GYPSUM BOARD CEILING DETAILS	OPD No:
Sheet Title : <b>POWER ACTUATED FASTENER (PAF) GENERAL NOTES (INSTALLED IN CONCRETE FILLED METAL B DECK)</b>	<b>GX1.13</b>

**POWER ACTUATED FASTENER (PAF) ALLOWABLE STRENGTHS  
(INSTALLED IN CONCRETE FILLED B-DECK)**

**TABLE 1**  
POWER ACTUATED FASTENER INSTALLED TO THE UNDERSIDE OF NORMAL WEIGHT OR SAND-LIGHTWEIGHT CONCRETE THROUGH B-DECK (f<sub>c</sub> MIN = 3000 PSI)

NOMINAL SHANK DIAMETER (IN)	MIN. EMBED (IN)	MIN. SPACING (IN)	MIN. EDGE DISTANCE (IN)	TENSION (LB) SEE NOTE 15	SHEAR (LB) (SEE NOTE 15)
0.157 MIN	1"	4"	4"	90	90

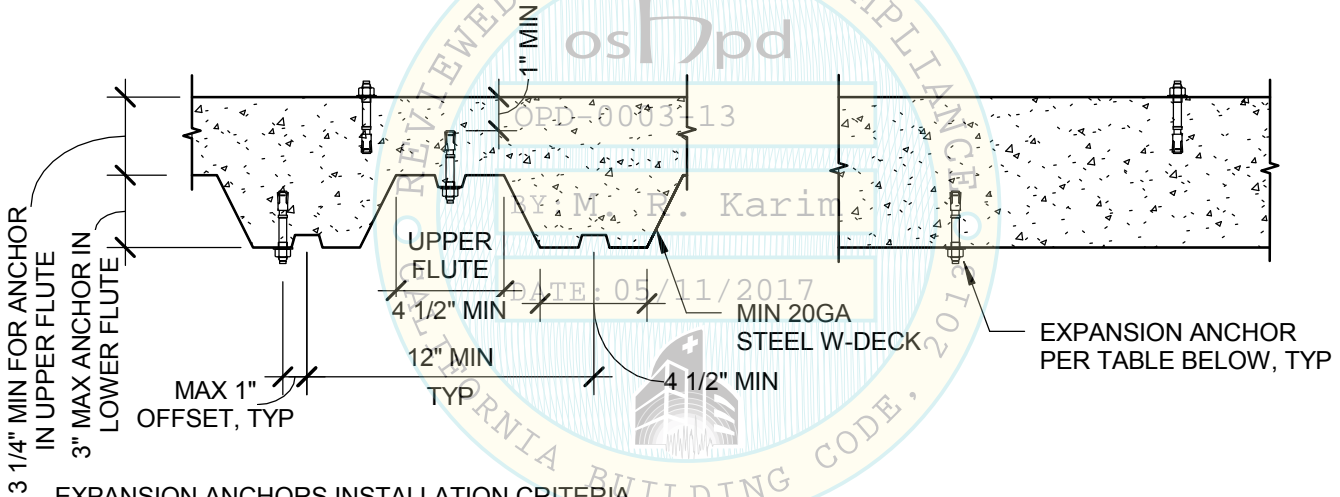


Section Title : OSHPD STANDARD GYPSUM BOARD CEILING DETAILS			OPD No:
Sheet Title : POWER ACTUATED FASTENER (PAF) ALLOWABLE STR (INSTALLED IN CONCRETE FILLED METAL B DECK)			<b>GX1.14</b>



**EXPANSION ANCHOR GENERAL NOTES**

1. ALLOWABLE STRENGTHS SHALL BE COMPARED TO ALLOWABLE STRESS DESIGN (ASD) LEVEL DEMAND IN ACCORDANCE WITH THE 2013 CBC SECTION 1605A.3.1.
2. ALLOWABLE STRENGTHS ARE FOR SINGLE ANCHORS WHICH MEET MIN. REQUIREMENTS IN ACCORDANCE WITH THE TABLE & SECTION BELOW.
3. MINIMUM CONCRETE STRENGTH  $f'_c=3000$  PSI.
4. EXPANSION ANCHORS INSTALLED THROUGH UPPER OR LOWER FLUTES OF METAL DECK SHALL MEET THE REQUIREMENTS OF THE INSTALLATION CRITERIA AND SECTION BELOW.
5. STEEL DECK TO BE MIN. 20 GA. W-DECK.
6. MINIMUM CONCRETE FILL DEPTH ABOVE THE TOP OF METAL DECK IN ACCORDANCE WITH THE SECTION AND INSTALLATION CRITERIA BELOW.
7. EXPANSION ANCHORS SHALL NOT BE USED IN PRE-STRESSED CONCRETE UNLESS NON-DESTRUCTIVE TESTING METHODS ARE USED TO LOCATE STRAND & REINFORCING PRIOR TO ANCHOR INSTALLATION.
8. EXPANSION ANCHOR INSTALLATION SHALL NOT NICK OR DAMAGE EXISTING REINFORCEMENT. SHOULD THIS OCCUR THE RDP IN RESPONSIBLE CHARGE SHALL BE NOTIFIED IMMEDIATELY. EXPANSION ANCHORS SHALL BE INSTALLED 1" CLEAR OF EXISTING REINFORCEMENT.
9. EXPANSION ANCHORS SHALL BE INSTALLED PER CURRENT ICC-ES EVALUATION REPORT OR REPORT FROM OTHER TESTING AGENCY ACCEPTABLE TO OSHPD.
10. TESTING OF EXPANSION ANCHORS SHALL BE IN ACCORDANCE WITH 2013 CBC SECTION 1913A.7.
11. EXPANSION ANCHORS SHALL BE INSTALLED TO COMPLY WITH THE MINIMUM SLAB THICKNESS REQUIREMENTS ESTABLISHED BY THE ICC-ESR FOR THE SPECIFIED ANCHOR.
12. REFER TO NOTE 6c ON CG0.00 FOR ADDITIONAL EXPANSION ANCHOR REQUIREMENTS.
13. ALL VALUES IN TABLES ARE FOR CRACKED CONCRETE & INCLUDE REDUCTION BASED ON ACI 318-11 SECTION D.3.3.4.4 REQUIREMENTS. THE ALLOWABLE STRENGTHS ARE BASED UPON THE LEAST OF THE ALLOWABLE STRENGTHS CALCULATED USING THE ICC ESRs 1917, 2427, 2502 & 3037 AND USING AN ALLOWABLE STRENGTH CONVERSION FACTOR OF 1.4.
14. ALL VALUES IN THE TABLE REFLECT ALLOWABLE STRENGTHS WITH 20% STRESS INCREASE FOR LOAD COMBINATIONS WITH OVERSTRENGTH FACTOR IN ACCORDANCE WITH ASCE 7-10 SECTION 12.4.3.3.



**EXPANSION ANCHORS INSTALLATION CRITERIA**

	NOMINAL ANCHOR DIAMETER (IN)				
	3/8	1/2	5/8		
EFFECTIVE MIN EMBEDMENT (IN)	2	2 1/4	3 1/4	3 1/8	4
MIN MEMBER THICKNESS NWC SLAB OR BEAM ONLY (IN)	4.5	4.5	6	6	7 1/4
MIN ANCHOR SPACING (3 x EMBED) (IN)	6 3/4	6 3/4	9 3/4	9 3/8	12
MIN EDGE DISTANCE (IN)	6	7	7 1/2	6 1/2	8 3/4

Section Title : OSHPD STANDARD GYPSUM BOARD CEILING DETAILS

Sheet Title : EXPANSION ANCHOR GENERAL NOTES

OPD No:

**GX1.20**

**EXPANSION ANCHOR ALLOWABLE STRENGTHS**

**TABLE 1**

EXPANSION ANCHORS INSTALLED IN TO THE UNDERSIDE OF STRUCTURAL SAND-LIGHTWEIGHT CONCRETE (f<sub>c</sub> MIN=3000 PSI) OVER METAL DECK

ANCHOR DIA. (IN)	EMBED (IN)	SHEAR (LB)	TENSION (LB)
3/8	2	747	604
1/2	2 1/4	1029	610
1/2	3 1/4	1173	1086
5/8	3 1/4	1353	836
5/8	4 1/4	2477	1941

**TABLE 2**

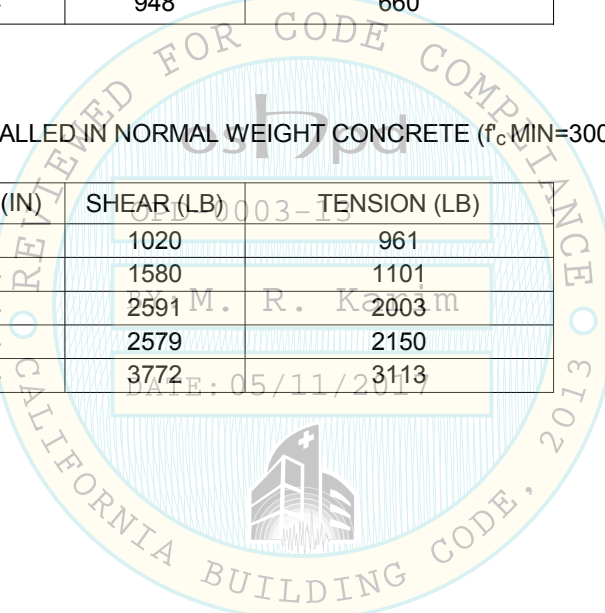
EXPANSION ANCHORS INSTALLED IN TO THE TOP OF STRUCTURAL SAND-LIGHTWEIGHT CONCRETE (f<sub>c</sub> MIN=3000 PSI) OVER METAL DECK

ANCHOR DIA. (IN)	EMBED (IN)	SHEAR (LB)	TENSION (LB)
3/8	2	806	624
1/2	2 1/4	948	660

**TABLE 3**

EXPANSION ANCHORS INSTALLED IN NORMAL WEIGHT CONCRETE (f<sub>c</sub> MIN=3000 PSI)

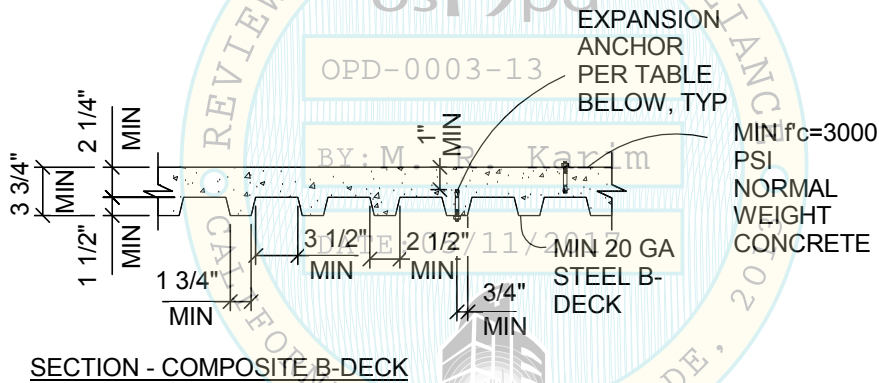
ANCHOR DIA. (IN)	EMBED (IN)	SHEAR (LB)	TENSION (LB)
3/8	2	1020	961
1/2	2 1/4	1580	1101
1/2	3 1/4	2591	2003
5/8	3 1/4	2579	2150
5/8	4 1/4	3772	3113



Section Title : OSHPD STANDARD GYPSUM BOARD CEILING DETAILS		OPD No:
Sheet Title : <b>EXPANSION ANCHOR ALLOWABLE STRENGTHS</b>		<b>GX1.21</b>

**EXPANSION ANCHOR GENERAL NOTES**

1. ALLOWABLE STRENGTHS SHALL BE COMPARED TO ALLOWABLE STRESS DESIGN (ASD) LEVEL DEMAND IN ACCORDANCE WITH THE 2013 CBC SECTION 1605A.3.1.
2. ALLOWABLE STRENGTHS SHOWN IN TABLES ON GX1.23.ARE FOR SINGLE ANCHORS WHICH MEET MIN. REQUIREMENTS PER TABLE AND SECTION BELOW.
3. MINIMUM CONCRETE STRENGTH  $f_c = 3000$  PSI.
4. EXPANSION ANCHORS INSTALLED THROUGH LOWER FLUTES OF METAL DECK SHALL MEET THE REQUIREMENTS OF THE INSTALLATION CRITERIA AND SECTION BELOW.
5. STEEL DECK TO BE MIN 20 GA. B-DECK.
6. MINIMUM CONCRETE FILL DEPTH ABOVE THE TOP OF THE METAL DECK PER SECTION AND INSTALLATION CRITERIA BELOW.
7. EXPANSION ANCHORS SHALL NOT BE USED IN PRE-STRESSED CONCRETE UNLESS NON-DESTRUCTIVE TESTING METHODS ARE USED TO LOCATE STRAND & REINFORCING PRIOR TO ANCHOR INSTALLATION.
8. EXPANSION ANCHOR INSTALLATION SHALL NOT NICK OR DAMAGE EXISTING REINFORCEMENT. SHOULD THIS OCCUR, THE RDP IN RESPONSIBLE CHARGE SHALL BE NOTIFIED IMMEDIATELY. EXPANSION ANCHORS SHALL BE INSTA" CLEAR OF EXISTING REINFORCEMENT.
9. EXPANSION ANCHORS SHALL BE INSTALLED PER CURRENT ICC-ES EVALUATION REPORT OR REPORT FROM OTHER TESTING AGENCY ACCEPTABLE TO OSHPD.
10. TESTING OF EXPANSION ANCHORS SHALL BE PER 2013 CBC SECTION 1913A.7.
12. REFER TO NOTE 6c ON CG0.00 FOR ADDITIONAL EXPANSION ANCHOR REQUIREMENTS.
13. ALL VALUES IN TABLES ARE FOR CRACKED CONCRETE & INCLUDE REDUCTION BASED ON ACI 318-11 D.3.3.4.4 REQUIREMENTS. THE ALLOWABLE STRENGTHS ARE BASED UPON THE LEAST OF THE ALLOWABLE STRENGTHS CALCULATED USING THE ICC ESRs 1917 AND 2502 AND USING AN  $\alpha$  FACTOR OF 1.4.
14. ALL VALUES IN TABLE REFLECT ALLOWABLE STRENGTHS WITH 20% ALLOWABLE STRESS INCREASE FOR LOAD COMBINATIONS WITH OVERSTRENGTH FACTOR IN ACCORDANCE WITH ASCE 7-10 SECTION 12.4.3.3.



	ANCHOR DIAMETER	EFFECTIVE EMBEDMENT	MIN EDGE DISTANCE	MIN SPACING
UNDERSIDE INSTALLATION **	3/8"	2"	6"	6 3/4"
	1/2"	2"	7"	6 3/4"

\*\* UNDERSIDE APPLICATION ONLY.

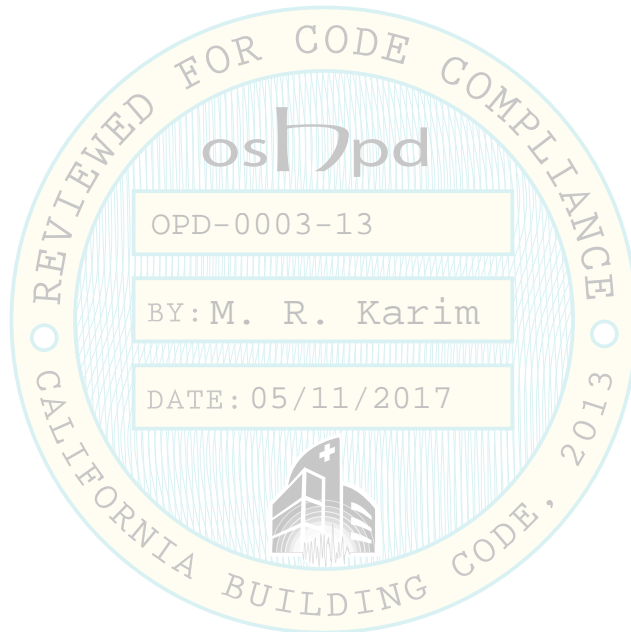
Section Title : OSHPD STANDARD GYPSUM BOARD CEILING DETAILS	OPD No:
Sheet Title : EXPANSION ANCHOR GENERAL NOTES (INSTALLED IN CONCRETE FILLED METAL B DECK)	<b>GX1.22</b>

EXPANSION ANCHOR ALLOWABLE STRENGTHS INTO B-DECK

**TABLE 1**  
**EXPANSION ANCHORS INSTALLED INTO THE UNDERSIDE OF NORMAL WEIGHT CONCRETE THROUGH B-DECK (f<sub>c</sub> MIN = 3000 PSI)**

ANCHOR DIAMETER (IN)	EMBED (IN)	SHEAR (LB)	TENSION (LB)
3/8"	2	997	522
1/2"	2	1440	600

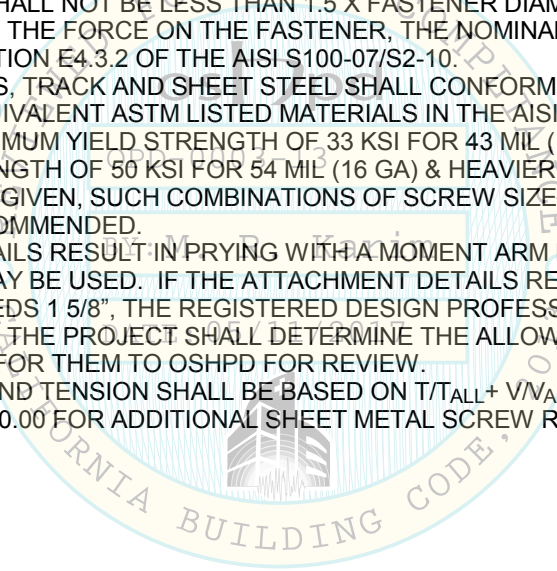
\*\* UNDERSIDE APPLICATION ONLY. SEE NOTE ON GX1.22.



Section Title : OSHPD STANDARD GYPSUM BOARD CEILING DETAILS		OPD No:  <b>GX1.23</b>
Sheet Title : EXPANSION ANCHOR ALLOWABLE STRENGTHS (INSTALLED IN CONCRETE FILLED METAL B DECK)		

SHEET METAL SCREW (SMS) GENERAL NOTES

1. THE ALLOWABLE STRENGTHS ARE BASED UPON THE AISI S100-07/S2-10 AND ARE LIMITED BY ACTUAL TESTED STRENGTH OF THE SCREWS IN TENSION AND SHEAR.
2. THE ALLOWABLE STRENGTHS ARE BASED UPON THE LEAST OF THE AVERAGE TESTED TENSILE AND SHEAR STRENGTHS TABULATED FROM ICC ESR'S 1976, 2196, 1730, 1408, AND THE STEEL STUD MANUFACTURER'S ASSOCIATION (SSMA). FASTENER TYPES AND SIZES APPLY TO NON-PROPRIETARY FASTENER TYPES AND SIZES, AND DOES NOT ENDORSE A SPECIFIC MANUFACTURER. WHERE PROPRIETARY FASTENERS ARE SPECIFIED, NO EXCEPTIONS ARE TAKEN TO THE USE OF MANUFACTURER SPECIFIC VALUES THAT ARE BASED UPON THE AISI S100-07/S2-10, SECTION E4. ALL SCREW FASTENERS SHALL SATISFY ICC-ES AC118-ACCEPTANCE CRITERIA FOR SELF TAPPING SCREW FASTENERS.
3. TABLE 1 REPRESENTS ALLOWABLE TENSION AND SHEAR STRENGTHS FOR NON-PROPRIETARY SHEET METAL SCREWS FOR STEEL TO STEEL CONNECTIONS.
4. TABLES 2 AND 3 REPRESENT ALLOWABLE TENSION AND SHEAR STRENGTHS THAT INCORPORATE THE EFFECTS OF EITHER ONE (1) OR TWO (2) LAYERS OF 5/8" GYPSUM BOARD BETWEEN FASTENER HEAD AND CONNECTING STEEL MATERIAL.
5. IN ORDER TO USE THE VALUES IN TABLES 1, 2, AND 3, THE ATTACHMENTS SHALL BE DETAILED IN SUCH A WAY AS TO AVOID PRYING AND THE STUDS MUST BE STABILIZED WITH FULL-DEPTH BLOCKING WITH CONTINUOUS STRAPS ALONG THE FLANGES OR WITH BACKING BARS.
6. PENETRATION OF SCREWS THROUGH JOINED MATERIAL SHOULD NOT BE LESS THAN THREE (3) EXPOSED THREADS.
7. STEEL THICKNESSES JOINED ARE ASSUMED TO BE THE SAME. IF DISSIMILAR THICKNESSES ARE BEING CONNECTED, THE VALUE FOR THE THINNER PART JOINED SHALL BE USED.
8. THE MINIMUM SPACING BETWEEN CENTERS OF FASTENERS SHALL NOT BE LESS THAN 3 X FASTENER DIAMETER. THE MINIMUM EDGE DISTANCE FROM THE CENTER OF A FASTENER TO THE EDGE OF ANY PART SHALL NOT BE LESS THAN 1.5 X FASTENER DIAMETER. WHERE THE END DISTANCE IS PARALLEL TO THE FORCE ON THE FASTENER, THE NOMINAL SHEAR STRENGTH SHALL BE LIMITED BY SECTION E4.3.2 OF THE AISI S100-07/S2-10.
9. GALVANIZED METAL STUDS, TRACK AND SHEET STEEL SHALL CONFORM TO ASTM A653-09a MATERIAL (OR OTHER EQUIVALENT ASTM LISTED MATERIALS IN THE AISI S100-07/S2-10, SECTION A2.1) WITH A MINIMUM YIELD STRENGTH OF 33 KSI FOR 43 MIL (18 GA) AND LIGHTER, AND MINIMUM YIELD STRENGTH OF 50 KSI FOR 54 MIL (16 GA) & HEAVIER.
10. WHERE VALUES ARE NOT GIVEN, SUCH COMBINATIONS OF SCREW SIZES & MATERIAL THICKNESS ARE NOT RECOMMENDED.
11. IF THE ATTACHMENT DETAILS RESULT IN PRYING WITH A MOMENT ARM NOT TO EXCEED 1 5/8", THE VALUES IN TABLE 4 MAY BE USED. IF THE ATTACHMENT DETAILS RESULT IN PRYING WITH A MOMENT ARM THAT EXCEEDS 1 5/8", THE REGISTERED DESIGN PROFESSIONAL IN RESPONSIBLE CHARGE OF THE PROJECT SHALL DETERMINE THE ALLOWABLE VALUES AND SUBMIT SUBSTANTIATION FOR THEM TO OSHPD FOR REVIEW.
12. INTERACTION OF SHEAR AND TENSION SHALL BE BASED ON  $T/T_{ALL} + V/V_{ALL} \leq 1.0$ .
13. REFER TO NOTE 6A ON CG0.00 FOR ADDITIONAL SHEET METAL SCREW REQUIREMENTS.



Section Title : OSHPD STANDARD GYPSUM BOARD CEILING DETAILS		OPD No:  <b>GX1.30</b>
Sheet Title : SHEET METAL SCREW GENERAL NOTES		

**SHEET METAL SCREW (SMS) ALLOWABLE STRENGTHS**

**TABLE 1**

**SHEET METAL SCREW ALLOWABLE STRENGTHS FOR STEEL TO STEEL CONNECTIONS.**

		FASTENER SIZE									
Fy (KSI)	MIL (STEEL GA)	NO. 14		NO. 12		NO. 10		NO. 8		NO. 6	
		0.250 IN		0.216 IN		0.190 IN		0.164 IN		0.138 IN	
		SHEAR (LB)	TENSION (LB)	SHEAR (LB)	TENSION (LB)	SHEAR (LB)	TENSION (LB)	SHEAR (LB)	TENSION (LB)	SHEAR (LB)	TENSION (LB)
50	97 (12)	704	275	525	205	-	-	-	-	-	-
	68 (14)	704	275	525	205	405	159	-	-	-	-
	54 (16)	613	261	525	205	405	159	303	118	-	-
33	43 (18)	302	144	280	124	263	109	244	94	165	79
	33 (20)	-	-	-	-	177	84	164	72	151	61

**NOTES:**

1. SEE GENERAL NOTES ON GX1.30 FOR ADDITIONAL INFORMATION .
2. WHERE ONE OR TWO LAYERS OF GYP BOARD OCCURS BETWEEN STEEL SURFACES, THE ALLOWABLE VALUES OF TABLE 2 & 3 SHALL BE USED.
3. ALLOWABLE STRENGTH VALUES DO NOT ACCOUNT FOR EFFECTS FROM PRYING. THE RDP IN RESPONSIBLE CHARGE OF THE PROJECT SHALL PROVIDE ADEQUATE BLOCKING/RESTRAINT TO PREVENT PRYING ACTION. WHERE PRYING OCCURS, THE VALUES AND CONSTRAINTS OF TABLE 4 SHALL BE USED.

**TABLE 2 - NON-PRYING CONDITION**

**SHEET METAL SCREW ALLOWABLE STRENGTHS FOR STEEL TO STEEL CONNECTIONS. WITH ONE LAYER OF 5/8" GYP BOARD BETWEEN STEEL SURFACES.**

		FASTENER SIZE									
Fy (KSI)	MIL (STEEL GA)	NO. 14		NO. 12		NO. 10		NO. 8		NO. 6	
		0.250 IN		0.216 IN		0.190 IN		0.164 IN		0.138 IN	
		SHEAR (LB)	TENSION (LB)	SHEAR (LB)	TENSION (LB)	SHEAR (LB)	TENSION (LB)	SHEAR (LB)	TENSION (LB)	SHEAR (LB)	TENSION (LB)
50	97 (12)	226	275	180	205	-	-	-	-	-	-
	68 (14)	226	275	180	205	140	159	-	-	-	-
	54 (16)	226	261	180	205	140	159	120	118	-	-
33	43 (18)	226	144	180	124	140	109	120	94	60	79
	33 (20)	-	-	-	-	100	84	80	72	60	61

**NOTES:**

1. SEE GENERAL NOTES ON GX1.30 FOR ADDITIONAL INFORMATION .
2. ALLOWABLE STRENGTH VALUES DO NOT ACCOUNT FOR EFFECTS FROM PRYING. THE RDP IN RESPONSIBLE CHARGE OF THE PROJECT SHALL PROVIDE ADEQUATE BLOCKING/RESTRAINT TO PREVENT PRYING ACTION. WHERE PRYING OCCURS, THE VALUES AND CONSTRAINTS OF TABLE 4 SHALL BE USED.

Section Title : OSHPD STANDARD GYPSUM BOARD CEILING DETAILS

OPD No:

Sheet Title : SHEET METAL ALLOWABLE STRENGTHS  
- PAGES 1 OF 2

**GX1.31**

**SHEET METAL SCREW (SMS) ALLOWABLE STRENGTHS (CONTINUED)**

**TABLE 3 - NON-PRYING CONDITION**

SHEET METAL SCREW ALLOWABLE STRENGTHS FOR STEEL TO STEEL CONNECTIONS WITH TWO LAYERS OF 5/8" GYP BOARD BETWEEN STEEL SURFACES.

		FASTENER SIZE									
F <sub>v</sub> (KSI)	MIL (STEEL GA)	NO. 14		NO. 12		NO. 10		NO. 8		NO. 6	
		0.250 IN		0.216 IN		0.190 IN		0.164 IN		0.138 IN	
		SHEAR (LB)	TENSION (LB)	SHEAR (LB)	TENSION (LB)	SHEAR (LB)	TENSION (LB)	SHEAR (LB)	TENSION (LB)	SHEAR (LB)	TENSION (LB)
50	97 (12)	166	275	130	205	-	-	-	-	-	-
	68 (14)	166	275	130	205	100	159	-	-	-	-
	54 (16)	166	261	130	205	100	159	80	118	-	-
33	43 (18)	166	144	130	124	100	109	80	94	50	79
	33 (20)	-	-	-	-	70	84	50	72	40	61

**NOTES:**

- SEE GENERAL NOTES ON GX1.30 FOR ADDITIONAL INFORMATION .
- ALLOWABLE STRENGTH VALUES DO NOT ACCOUNT FOR EFFECTS FROM PRYING. THE RDP IN RESPONSIBLE CHARGE TO PROVIDE ADEQUATE BLOCKING/RESTRAINT TO PREVENT PRYING ACTION. WHERE PRYING OCCURS, THE VALUES AND CONSTRAINTS OF TABLE 4 SHALL BE USED.

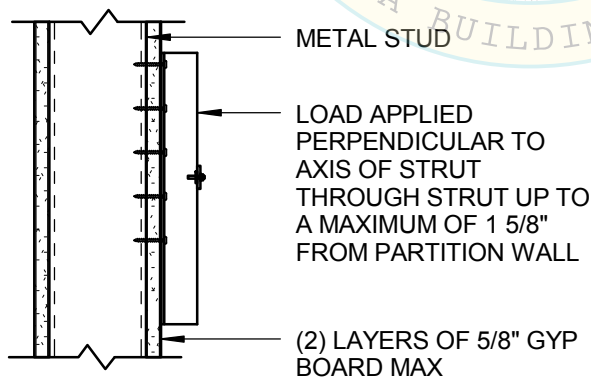
**TABLE 4 - PRYING CONDITION (SEE DETAILS BELOW - STRUT CAN BE HORIZONTAL OR VERTICAL)**

SHEET METAL SCREW ALLOWABLE STRENGTHS FOR STEEL TO STEEL CONNECTIONS WITH ONE OR TWO LAYERS OF 5/8" GRP BOARD BETWEEN STEEL SURFACES AND MAXIMUM PRYING MOMENT ARM OF 1 5/8"

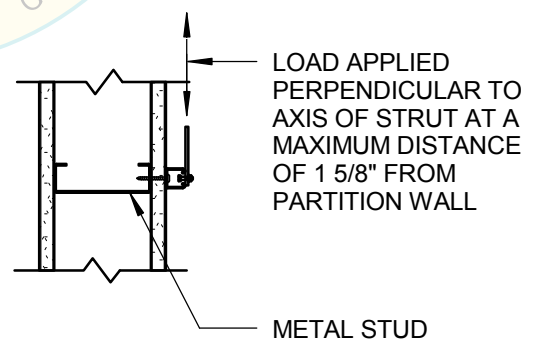
		FASTENER SIZE									
F <sub>v</sub> (KSI)	MIL (STEEL GA)	NO. 14		NO. 12		NO. 10		NO. 8		NO. 6	
		0.250 IN		0.216 IN		0.190 IN		0.164 IN		0.138 IN	
		SHEAR (LB)	TENSION (LB)	SHEAR (LB)	TENSION (LB)	SHEAR (LB)	TENSION (LB)	SHEAR (LB)	TENSION (LB)	SHEAR (LB)	TENSION (LB)
50	97 (12)	40	275	30	205	-	-	-	-	-	-
	68 (14)	40	275	30	205	25	159	-	-	-	-
	54 (16)	40	261	30	205	25	159	20	118	-	-
33	43 (18)	40	144	30	124	25	109	20	94	10	79
	33 (20)	-	-	-	-	15	84	15	72	10	61

**NOTES:**

- SEE GENERAL NOTES ON GX1.30 FOR ADDITIONAL INFORMATION.
- ALLOWABLE STRENGTH VALUES LISTED IN TABLE 4 ARE BASED UPON A LIMITED TEST ASSEMBLY WHERE THE ORIGIN AND DIRECTION OF THE LOAD RESULTS IN PRYING UPON THE FASTENER. THE MAGNITUDE OF THIS PRYING EFFECT SHALL BE LIMITED TO A MOMENT ARM OF 1 5/8" FROM THE FASTENER.



**WALL ELEV WITH LOAD APPLIED THROUGH STRUT**



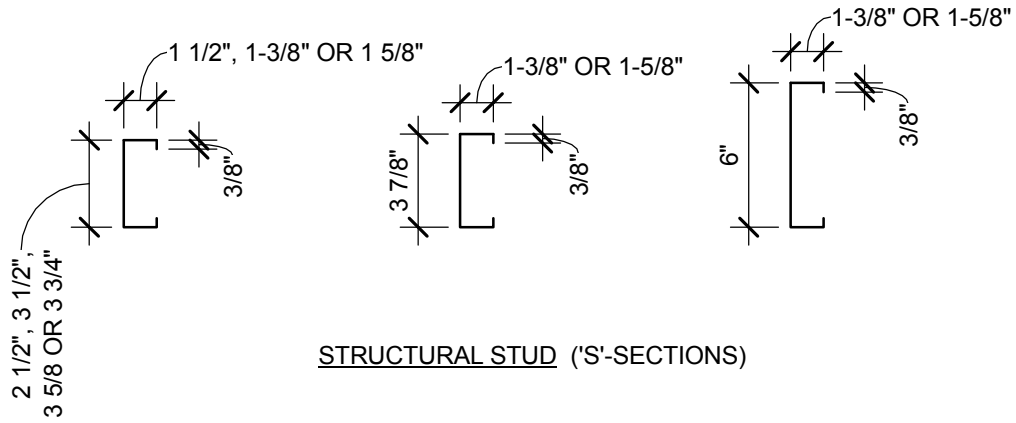
**PLAN VIEW**

Section Title : OSHPD STANDARD GYPSUM BOARD CEILING DETAILS

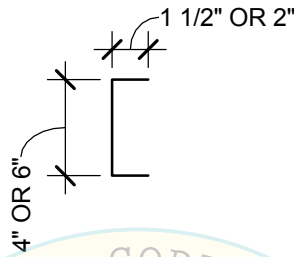
OPD No:

Sheet Title : SHEET METAL SCREW ALLOWABLE STRENGTHS - PAGES 2 OF 2

**GX1.32**



**STRUCTURAL STUD ('S'-SECTIONS)**



**STRUCTURAL TRACK ('T'-SECTIONS)**

DESIGNATION THICKNESS (MILS)	REFERENCE ONLY GAUGE NO.
18	25
27	22
33	20
43	18
54	16
68	14
97	12
118	10

**NOTE:**

1.  $F_y = 50\text{KSI}$  FOR 54 MIL (16GA) & THICKER SECTIONS, AND  $F_y = 33\text{KSI}$  FOR SECTIONS UP TO & INCLUDING 43 MI (18GA).
2. SIZE AND THICKNESS ARE CONSIDERED MINIMUMS.
3. STRUCTURAL STUDS SHALL NOT BE PUNCHED UNLESS NOTED OTHERWISE.

Section Title : OSHPD STANDARD GYPSUM BOARD CEILING DETAILS

OPD No:

Sheet Title : METAL STUD PROFILES

**GX1.40**



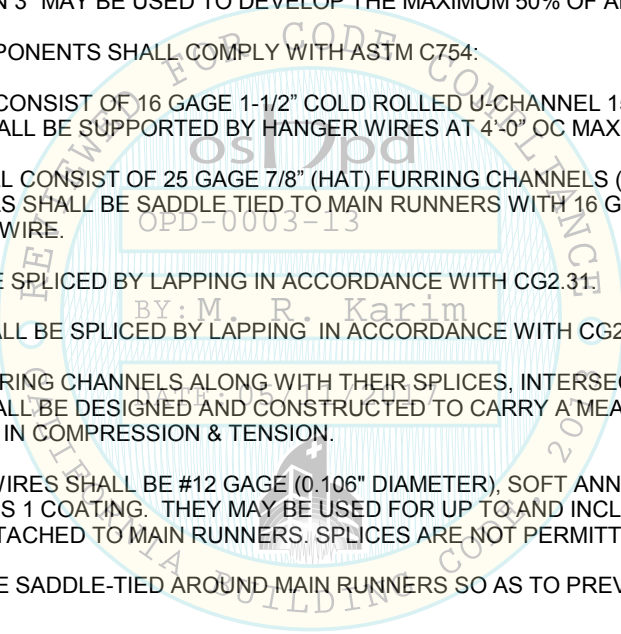
**SUSPENDED GYP BOARD CEILING  
GENERAL NOTES**

1. CONSTRUCTION, WORKMANSHIP AND MATERIAL SHALL CONFORM TO THE 2013 CALIFORNIA BUILDING STANDARDS CODE (CBSC 2013).
2. THE CONTRACTOR SHALL NOTIFY OSHPD AND THE REGISTERED DESIGN PROFESSIONAL (RDP) IN RESPONSIBLE CHARGE WHERE A CONFLICT OR DISCREPANCY OCCURS BETWEEN THE CONSTRUCTION DRAWINGS AND ANY OTHER PORTION OF THE CONSTRUCTION DOCUMENTS, FIELD CONDITIONS, OR WHERE ANY CONDITIONS ARISE NOT COVERED BY THESE DOCUMENTS WHEREIN WORK WILL NOT COMPLY WITH CODE REQUIREMENTS.
3. THE INTENT OF THE DRAWINGS AND SPECIFICATIONS IS TO CONSTRUCT THE HOSPITAL BUILDING IN ACCORDANCE WITH THE CALIFORNIA BUILDING STANDARD CODE, 2013 (CBSC 2013). SHOULD ANY CONDITION DEVELOP NOT COVERED BY THE APPROVED CONSTRUCTION DOCUMENTS WHEREIN THE WORK WILL NOT COMPLY WITH CBSC 2013, A CHANGE ORDER DETAILING AND SPECIFYING THE REQUIRED WORK SHALL BE SUBMITTED TO AND APPROVED BY OSHPD BEFORE PROCEEDING WITH THE WORK.
4. GALVANIZED METAL STUDS, TRACKS AND SHEET STEEL SHALL CONFORM TO ASTM A653-11 MATERIAL, OR OTHER EQUIVALENT ASTM LISTED MATERIALS IN SECTION A2.1 OF THE AISI S100-07/S2-10; NORTH AMERICAN SPECIFICATION FOR THE DESIGN OF COLD-FORMED STEEL STRUCTURAL MEMBERS WITH SUPPLEMENT 2, DATED 2010, WITH A MINIMUM YIELD STRENGTH OF 33 KSI FOR 43 MIL (18 GAGE) AND LIGHTER AND MINIMUM YIELD STRENGTH OF 50 KSI FOR HEAVIER GAGES.  
  
METAL STUDS AND TRACKS SHALL BE OF SIZE, THICKNESS AND SECTION PROPERTIES SHOWN ON TABLES 1-1, 1-2 AND 1-3 OF THE AISI MANUAL, COLD-FORMED STEEL DESIGN, 2008 EDITION. THE RDP IN RESPONSIBLE CHARGE SHALL OBTAIN OSHPD APPROVAL FOR ANY SUBSTITUTIONS.
5. ELECTRICAL METALLIC TUBE (EMT) SHALL BE ANSI C80.3/UL 797 CARBON STEEL WITH G90 GALVANIZING. EMT SHALL HAVE MINIMUM YIELD STRENGTH OF ( $F_y =$  ) 30 KSI AND MINIMUM ULTIMATE STRENGTH OF ( $F_u =$  ) 48 KSI.
6. THESE OPD REFER TO FASTENER TYPE AND SIZE BUT DO NOT SPECIFY OR ENDORSE A SPECIFIC MANUFACTURER. THE RDP IN RESPONSIBLE CHARGE SHALL SELECT A MANUFACTURER AND SELECTED FASTENER CAPACITIES SHALL MATCH OR EXCEED THE STRENGTHS LISTED HEREIN, THE FOLLOWING REQUIREMENTS SHALL ALSO BE MET:
  - a. SHEET METAL SCREWS SHALL COMPLY WITH ASTM C 1513-10, ASME B18.6.4-98 (R2005) AND ICC-ES AC 118 AND ALLOWABLE STRENGTH SHALL BE BASED ON INFORMATION PROVIDED IN GX1.31 AND GX1.32. PENETRATION OF SCREWS THROUGH JOINED MATERIAL SHALL NOT BE LESS THAN THREE EXPOSED THREADS.
  - b. WELDING SHALL BE IN ACCORDANCE WITH AWS D1.3 USING E60XX SERIES ELECTRODES. FIELD WELDING SHALL HAVE SPECIAL INSPECTION IN ACCORDANCE WITH 2013 CBC SECTION 1705A.2.
  - c. POST- INSTALLED ANCHORS (E.G. EXPANSION ANCHORS, SCREW ANCHORS AND POWER ACTUATED FASTENERS) SHALL HAVE SPECIAL INSPECTION AND TESTING IN ACCORDANCE WITH THE 2013 CBC SECTIONS 1705A.3 & 1913A.7. FOR QUALIFICATION, DESIGN AND USE OF POST-INSTALLED ANCHORS IN CONCRETE SEE THE 2013 CBC SECTIONS 1616A.1.19 AND 1908A.1.1. LISTING OF CURRENT ICC-ES EVALUATION REPORTS (OR REPORTS FROM OTHER TESTING AGENCIES ACCEPTABLE TO OSHPD) SHALL BE REQUIRED FOR FASTENER USED.
  - d. POWER-ACTUATED FASTENERS (PAF), POWDER DRIVEN FASTENERS (PDF), POWER DRIVEN PINS (PDP) AND SHOT PINS ALL REPRESENT THE SAME FASTENER AND WILL HEREAFTER BE REFERRED TO AS POWER ACTUATED FASTENERS (PAF). PAF'S SHALL SATISFY THE CURRENT AC70-ACCEPTANCE CRITERIA FOR FASTENERS POWER-DRIVEN INTO CONCRETE, STEEL AND MASONRY ELEMENTS AND THE 2013 CBC SECTIONS 1908A.1.1. LISTING OF CURRENT ICC ES EVALUATION REPORTS (OR REPORTS FROM OTHER TESTING AGENCIES ACCEPTABLE TO OSHPD) SHALL BE REQUIRED FOR FASTENERS USED.
  - e. FOR PAF INSTALLED IN STEEL THE FASTENER PENETRATION SHALL HAVE THE ENTIRE POINTED END OF THE FASTENER DRIVEN THROUGH THE STEEL MEMBER, EXCEPT AS NOTED IN CURRENT REPORTS FROM TESTING AGENCIES ACCEPTABLE TO OSHPD.

Section Title : OSHPD STANDARD GYPSUM BOARD CEILING DETAILS	OPD No:
Sheet Title : <b>GYP-BOARD SUSPENDED CEILING PAGE</b> <b>1 OF 5</b>	<b>CG0.00</b>

7. DESIGN CRITERIA

- a. BUILDING CODE: 2013 CALIFORNIA BUILDING CODE (2013 CBC), ASCE 7-10, AISI S100-07/S2-10, AND ASTM C754-11. FOR LOAD COMBINATIONS, ALLOWABLE STRESS DESIGN SHALL BE IN ACCORDANCE WITH 2013 CBC SECTION 1605A.3.1.
  - b. FASTENER CAPACITIES TABLES WERE DEVELOPED BASED ON ICC REPORTS BY SEVERAL MANUFACTURERS.
  - c. THE DESIGN ASSUMES THAT BUILDING ELEMENTS AND SUPPORTS, TO WHICH THE COMPONENTS ADDRESSED IN THIS DOCUMENT ARE ANCHORED, HAVE SUFFICIENT CAPACITY TO CARRY THE LOADS IMPOSED BY THE COMPONENTS IN COMBINATION WITH ALL OTHER LOADS. EVALUATION OF THE CAPACITY OF THESE SUPPORTING BUILDING ELEMENTS IS BEYOND THE SCOPE OF THE OPD.
  - d. THIS OPD IS LIMITED TO CEILING ASSEMBLIES HAVING MAXIMUM DEAD WEIGHT OF 4 PSF, INCLUDING LIGHTING FIXTURES (LUMINERIES) AND MECHANICAL SERVICES, EACH WEIGHING LESS THAN 56 LBS AND ATTACHED TO CEILING FRAMING SYSTEM. HEAVIER SYSTEM AND THOSE SUPPORTING LATERAL FORCES FROM PARTITION WALLS ARE OUTSIDE THE SCOPE OF THIS OPD AND WILL REQUIRE PROJECT SPECIFIC DESIGN.
8. THE RDP IN RESPONSIBLE CHARGE SHALL VERIFY THE FIRE RESISTENCE AND ACOUSTICAL RATINGS FOR ALL CEILING ASSEMBLIES.
9. "CEILING WIRE" SHALL CONFORM WITH GALVANIZED SOFT ANNEALED MILD STEEL WIRE AS DEFINED IN ASTM A641 (CLASS 1 COATING) WITH 70 KSI MINIMUM TENSILE STRENGTH:
- a. FOUR (4) TWISTS OF WIRE WITHIN 1.5" DEVELOPS THE ALLOWABLE LOAD FOR THE WIRE.
  - b. THREE (3) TWISTS WITHIN 3" MAY BE USED TO DEVELOP THE MAXIMUM 50% OF ALLOWABLE LOAD.
10. SUSPENSION SYSTEM COMPONENTS SHALL COMPLY WITH ASTM C754:
- a. MAIN RUNNERS SHALL CONSIST OF 16 GAGE 1-1/2" COLD ROLLED U-CHANNEL 150U050-54 SPACED AT 4'-0" OC MAX. MAIN RUNNERS SHALL BE SUPPORTED BY HANGER WIRES AT 4'-0" OC MAX AND WITHIN 6" FROM EA END.
  - b. FURRING CHANNEL SHALL CONSIST OF 25 GAGE 7/8" (HAT) FURRING CHANNELS (087F125-18) AT 2'-0" OC MAX. FURRING CHANNELS SHALL BE SADDLE TIED TO MAIN RUNNERS WITH 16 GAGE TIE WIRE OR A DOUBLE STRAND OF 18 GAGE TIE WIRE.
  - c. MAIN RUNNERS SHALL BE SPLICED BY LAPPING IN ACCORDANCE WITH CG2.31.
  - d. FURRING CHANNELS SHALL BE SPLICED BY LAPPING IN ACCORDANCE WITH CG2.31.
  - e. MAIN RUNNERS AND FURRING CHANNELS ALONG WITH THEIR SPLICES, INTERSECTION CONNECTORS, AND EXPANSION DEVICES SHALL BE DESIGNED AND CONSTRUCTED TO CARRY A MEAN ULTIMATE TEST LOAD OF NOT LESS THAN 270 LBS. IN COMPRESSION & TENSION.
  - f. HANGER AND BRACING WIRES SHALL BE #12 GAGE (0.106" DIAMETER), SOFT ANNEALED, AND GALVANIZED STEEL WIRES WITH CLASS 1 COATING. THEY MAY BE USED FOR UP TO AND INCLUDING 4'-0"x 4'-0" GRID SPACING ALONG AND ATTACHED TO MAIN RUNNERS. SPLICES ARE NOT PERMITTED IN ANY HANGER WIRE.
  - g. WIRE HANGERS SHALL BE SADDLE-TIED AROUND MAIN RUNNERS SO AS TO PREVENT TURNING OR TWISING OF THE MEMBER.
11. SUSPENSION SYSTEM INSTALLATION SHALL COMPLY WITH ASTM C754:
- a. CEILING GRID MEMBERS SHALL BE ATTACHED TO TWO (2) ADJACENT WALLS. MAIN RUNNERS AND FURRING CHANNEL SHALL BE AT LEAST 1 INCH CLEAR OF OTHER WALL. IF WALLS RUN DIAGONAL TO THE CEILING GRID SYSTEM RUNNERS, ONE END OF MAIN RUNNER AND FURRING SHOULD BE FREE WITH STANDARD CLEARANCES.
  - b. THE WIDTH OF THE PERIMETER SUPPORTING CLOSURE ANGLE SHALL BE NOT LESS THAN TWO (2) INCHES. USE OF ANGLES WITH SMALLER WIDTHS IN CONJUNCTION WITH PERIMETER CLIPS SHALL REQUIRE AN ALTERNATE METHOD OF COMPLIANCE WITH ADEQUATE JUSTIFICATION AND ARE OUTSIDE THE SCOPE OF THIS OPD.



Section Title : OSHPD STANDARD GYPSUM BOARD CEILING DETAILS	OPD No:
Sheet Title : GYP-BOARD SUSPENDED CEILING PAGE 2 OF 5	<b>CG0.01</b>

12. EXPANSION JOINTS, SEISMIC SEPARATIONS, AND PENETRATIONS:

- a. EXPANSION JOINTS SHALL BE PROVIDED IN THE CEILING AT INTERSECTIONS OF CORRIDORS AND AT JUNCTIONS OF CORRIDORS WITH LOBBIES OR OTHER SIMILAR AREAS.
- b. FOR CEILING AREAS EXCEEDING 2500 SQUARE FEET, A SEISMIC SEPARATION JOINT SHALL BE PROVIDED TO DIVIDE THE CEILING INTO AREAS NOT EXCEEDING 2500 SQ. FT.
- c. PENETRATIONS THROUGH THE CEILING FOR SPRINKLER HEADS AND OTHER SIMILAR DEVICES THAT ARE NOT INTEGRALLY TIED TO THE CEILING SYSTEM IN THE LATERAL DIRECTION SHALL HAVE A TWO (2) INCH OVERSIZED RING, SLEEVE OR ADAPTER THROUGH THE CEILING TILE TO ALLOW FREE MOVEMENT OF ONE (1) INCH IN ALL HORIZONTAL DIRECTIONS. A FLEXIBLE SPRINKLER HOSE FITTING THAT CAN ACCOMMODATE ONE (1) INCH OF CEILING MOVEMENT SHALL BE PERMITTED TO BE USED IN LIEU OF THE OVERSIZED RING, SLEEVE OR ADAPTER. SUCH FLEXIBLE SPRINKLER HOSE SHALL BE ADEQUATELY SUPPORTED FROM SOFFIT SO AS NOT TO EXCEED THE MAXIMUM TRIBUTARY WEIGHT OF THE CEILING.

13. LATERAL FORCE BRACING:

LATERAL FORCE BRACING IS REQUIRED IN ACCORDANCE WITH THIS SECTION FOR ALL CEILING AREAS, UON.

EXCEPTION: LATERAL FORCE BRACING MAY BE OMITTED FOR SUSPENDED ACOUSTICAL CEILING SYSTEMS WITH A CEILING AREA OF 144 SQ. FT. OR LESS, WHEN PERIMETER SUPPORT ARE PROVIDED AND PERIMETER WALLS ARE DESIGNED TO CARRY THE CEILING LATERAL FORCES.

- a. PROVIDE LATERAL-FORCE BRACING ASSEMBLIES CONSISTING OF A STRUT AND FOUR (4) #12 GAGE BRACING WIRES ORIENTED 90 DEGREES FROM EACH OTHER.
- b. LATERAL-FORCE BRACING ASSEMBLIES SHALL BE SPACED IN ACCORDANCE WITH CG2.20 THROUGH CG2.22 AND CG2.30 FROM EACH WALL AND AT THE EDGES OF ANY CHANGE OF ELEVATION OF THE CEILING.
- c. THE SLOPE OF BRACING WIRES MAY BE FROM 10 TO 45 DEGREES BUT MAY NOT EXCEED 45 DEGREES FROM THE PLANE OF THE CEILING AND WIRES SHALL BE TAUT.
- d. STRUTS SHALL BE ADEQUATE TO RESIST THE VERTICAL COMPONENT INDUCED BY THE BRACING WIRES, AND SHALL NOT BE MORE THAN 1 (HORIZONTAL) IN 6 (VERTICAL) OUT OF PLUMB.

14. ATTACHMENT OF HANGER AND BRACING WIRES:

- a. FASTEN #12 HANGER WIRES WITH NOT LESS THAN THREE (3) TIGHT TURNS IN 3 INCHES. HANGER WIRE LOOPS SHALL BE TIGHTLY WRAPPED AND SHARPLY BENT TO PREVENT ANY VERTICAL MOVEMENT OR ROTATION OF THE MEMBER WITHIN THE LOOPS.
- b. FASTEN #12 BRACING WIRES WITH FOUR (4) TIGHT TURNS. MAKE ALL TIGHT TURNS WITHIN A DISTANCE OF 1 1/2" INCHES.
- c. HANGER OR BRACING WIRE ANCHORED TO THE STRUCTURE SHOULD BE INSTALLED IN SUCH A MANNER THAT THE DIRECTION OF THE ANCHOR ALIGNS AS CLOSELY AS POSSIBLE WITH THE DIRECTION OF THE WIRE.
- d. SEPARATE ALL CEILING HANGER AND BRACING WIRES AT LEAST SIX (6) INCHES FROM ALL UNBRACED DUCTS, PIPES CONDUITS, ETC.
- e. HANGER WIRES SHALL NOT BE ATTACHED TO OR BEND AROUND INTERFERING MATERIAL OR EQUIPMENT. PROVIDE TRAPEZE OR OTHER SUPPLEMENTARY SUPPORT MEMBERS AT OBSTRUCTIONS TO TYPICAL HANGER SPACING. PROVIDE ADDITIONAL HANGERS, STRUTS OR BRACES AS REQUIRED AT ALL CEILING BREAKS, SOFFITS, OR DISCONTINUOUS AREAS.
- f. HANGER WIRES THAT ARE MORE THAN 1 (HORIZONTAL) IN 6 (VERTICAL) OUT OF PLUMB SHALL REQUIRE PROJECT SPECIFIC DESIGN.

g. TESTING REQUIREMENTS:

**HANGER WIRE ANCHORS:** WHEN POST-INSTALLED ANCHORS OR PAF ARE USED AS HANGER WIRE ANCHORS IN REINFORCED CONCRETE, 10% OF ANCHORS SHALL BE TENSION TESTED FOR 200 LBS.

**BRACING WIRE ANCHORS:** PAF USED AS BRACING WIRE ANCHORS TO CONCRETE ARE NOT PERMITTED. WHEN POST-INSTALLED ANCHORS ARE USED AS BRACING WIRE ANCHORS IN REINFORCED CONCRETE, 50% OF ANCHORS SHALL BE TENSION TESTED FOR 440 LBS. ALTERNATELY, WIRE/ANCHOR ASSEMBLIES MAY BE TENSION TESTED IN THE DIRECTION OF THE WIRE FOR 440 LBS.

**EXCEPTION:** TORQUE CONTROLLED POST-INSTALLED ANCHORS MAY BE TORQUE TESTED TO MANUFACTURER'S SPECIFICATIONS OR AS SHOWN ON THE APPROVED CONSTRUCTION DOCUMENTS.

Section Title : OSHPD STANDARD GYPSUM BOARD CEILING DETAILS		OPD No:
Sheet Title : GYP-BOARD SUSPENDED CEILING PAGE		CG0.02
3 OF 5		
		Rev: 03/30/2022

15. CEILING FIXTURES, TERMINALS, AND DEVICES:

- a. ALL LIGHT FIXTURES, AIR TERMINALS/GRILLS, OR OTHER DEVICES (REFERRED TO ALL BY COMMON TERM FIXTURES HEREAFTER) SHALL BE MOUNTED IN A MANNER THAT WILL NOT COMPROMISE CEILING PERFORMANCE.
- b. ALL FIXTURES SHALL BE SUPPORTED DIRECTLY BY MAIN RUNNERS OR BY SUPPLEMENTAL FRAMING WHICH IS SUPPORTED BY MAIN RUNNERS AND POSITIVELY ATTACHED WITH SCREWS OR OTHER APPROVED CONNECTORS.
- c. SURFACE MOUNTED FIXTURES SHALL BE ATTACHED TO A MAIN RUNNER WITH A POSITIVE CLAMPING DEVICE MADE OF MATERIAL WITH A MINIMUM OF 14 GAGE. ROTATIONAL SPRING CLAMPS DO NOT COMPLY.
- d. ACCESS PANELS: ACCESS TO THE SPACE BETWEEN THE CEILING AND THE FLOOR OR ROOF ABOVE SHALL NOT BE ALLOWED. SMALL ACCESS PANELS FOR THE INSPECTION, ADJUSTMENT, OR REPAIR OF UTILITY SWITCHES, VALVES, SENSORS, ETC. MAY BE ALLOWED IF THE PANEL IS LESS THAN 300 SQUARE INCHES. SUCH PANELS SHALL ALSO HAVE A PERMANENT WARNING LABEL AS FOLLOWS:

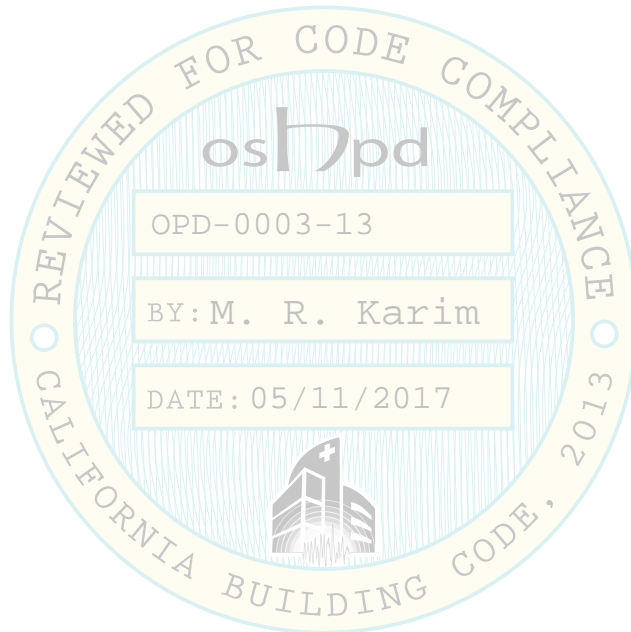
WARNING: 1. DO NOT CLIMB, WALK, OR CRAWL ON THE GYPSUM BOARD CEILING.  
 2. DO NOT STORE OR STOW ANYTHING ON THE GYPSUM BOARD CEILING.

- e. ALL LIGHT FIXTURES WEIGHING LESS THAN OR EQUAL TO 10 LB. SHALL HAVE ONE NO. 12 GAUGE SAFETY WIRE CONNECTED FROM FIXTURE HOUSING TO STRUCTURE ABOVE. IT IS NOT NECESSARY FOR THESE SAFETY WIRES TO BE TAUT.
- f. ALL FIXTURES WEIGHING GREATER THAN 10 LB BUT LESS THAN OR EQUAL TO 56 LB. SHALL HAVE TWO NO. 12 GAUGE SAFETY WIRE CONNECTED FROM FIXTURE HOUSING TO STRUCTURE ABOVE. IT IS NOT NECESSARY FOR THESE SAFETY WIRES TO BE TAUT.
- g. ALL FIXTURES WEIGHING GREATER THAN 56 LB. SHALL BE SUPPORTED DIRECTLY FROM STRUCTURE ABOVE BY APPROVED HANGERS.
- h. PENDENT-HUNG FIXTURES SHALL BE SUPPORTED DIRECTLY FROM THE STRUCTURE ABOVE USING NO LESS THAN NO. 9-GAUGE WIRE OR AN APPROVED ALTERNATE SUPPORT. THE CEILING SUSPENSION SYSTEM SHALL NOT PROVIDE ANY DIRECT SUPPORT.
- i. ALL RECESSED OR DROP-IN FIXTURES SHALL BE SUPPORTED DIRECTLY FROM FIXTURE HOUSING TO THE STRUCTURE ABOVE WITH A MINIMUM OF TWO NO. 12 GAUGE WIRES LOCATED AT DIAGONALLY OPPOSITE CORNERS. LEVELLING OR POSITIONING OF FIXTURES MAY BE PROVIDED BY CEILING GRID. FIXTURE SUPPORT WIRES MAY BE SLIGHTLY LOOSE TO ALLOW THE FIXTURE TO SEAT IN THE GRID SYSTEM. FIXTURES SHALL NOT BE SUPPORTED FROM MAIN RUNNERS OR FURRING CHANNELS IF THE WEIGHT OF THE FIXTURES CAUSES TOTAL DEAD LOAD TO EXCEED THE DEFLECTION CAPABILITY OF THE CEILING SUSPENSION SYSTEM.

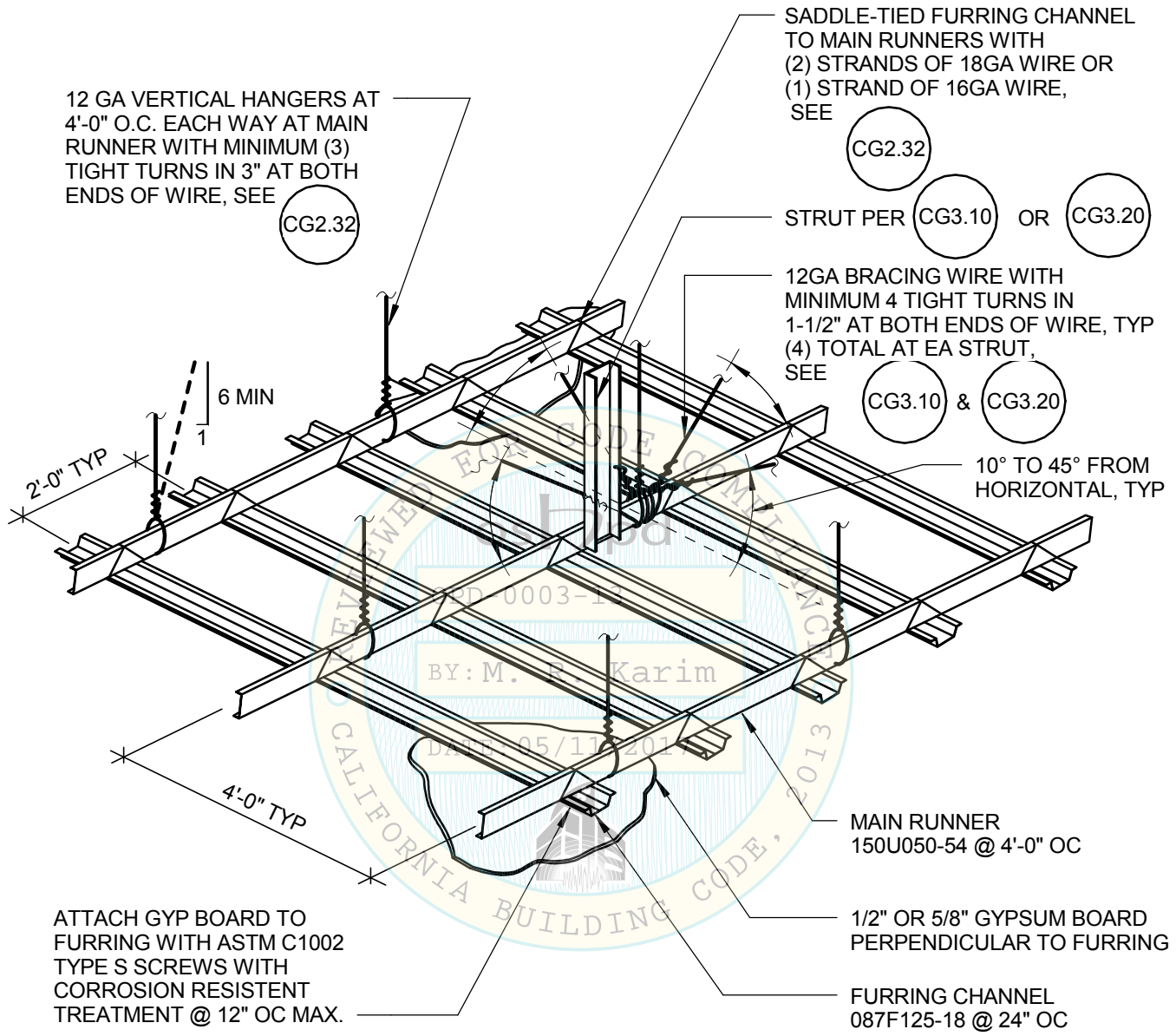
16. CEILINGS THAT ARE PART OF A FIRE RATED ASSEMBLY: PROVIDE A DETAIL AND DESIGN NUMBER FOR RATED CEILING ASSEMBLIES FROM AN APPROVED TESTING AGENCY. THE COMPONENTS AND INSTALLATION DETAILS SHALL CONFORM IN EVERY RESPECT WITH THE LISTED DETAIL AND NUMBER. DETAILS SHALL CLEARLY DEPICT ALL COMPONENTS, INCLUDING INSULATION MATERIALS, FRAMING AND ATTACHMENT OF THE DESIGN SO THAT THE ASSEMBLY CAN BE CONSTRUCTED AND INSPECTED ACCORDINGLY. POP RIVETS, SCREWS, OR OTHER ATTACHMENTS ARE NOT ACCEPTABLE UNLESS SPECIFICALLY DETAILED ON THE DRAWINGS AND APPROVED BY OSHPD.

Section Title : OSHPD STANDARD GYPSUM BOARD CEILING DETAILS	OPD No:
Sheet Title : GYP-BOARD SUSPENDED CEILING PAGE 4 OF 5	<b>CG0.03</b>

- 17. GYPSUM BOARD INSTALLATION SHALL COMPLY WITH ASTM C840-11:
  - a. GYPSUM BOARD SHALL CONSIST OF SINGLE-PLY 1/2" OR 5/8" THICK IN ACCORDANCE WITH ASTM C11-10a.
  - b. GYPSUM BOARD SHALL BE INSTALLED PERPENDICULAR TO FURRING WITH SCREWS AT 12" ON CENTER MAXIMUM, IN ACCORDANCE WITH ASTM C840-11.
  - c. GYPSUM BOARD SHALL BE ATTACHED TO FURRING/FRAMING WITH ASTM C1002-07 TYPE S (ASTM A568-11b GRADES 1018 TO 1022) SCREWS (NOT LESS THAN, NO. 6, WITH MAJOR DIAMETER NOT LESS THAN 0.136 IN).



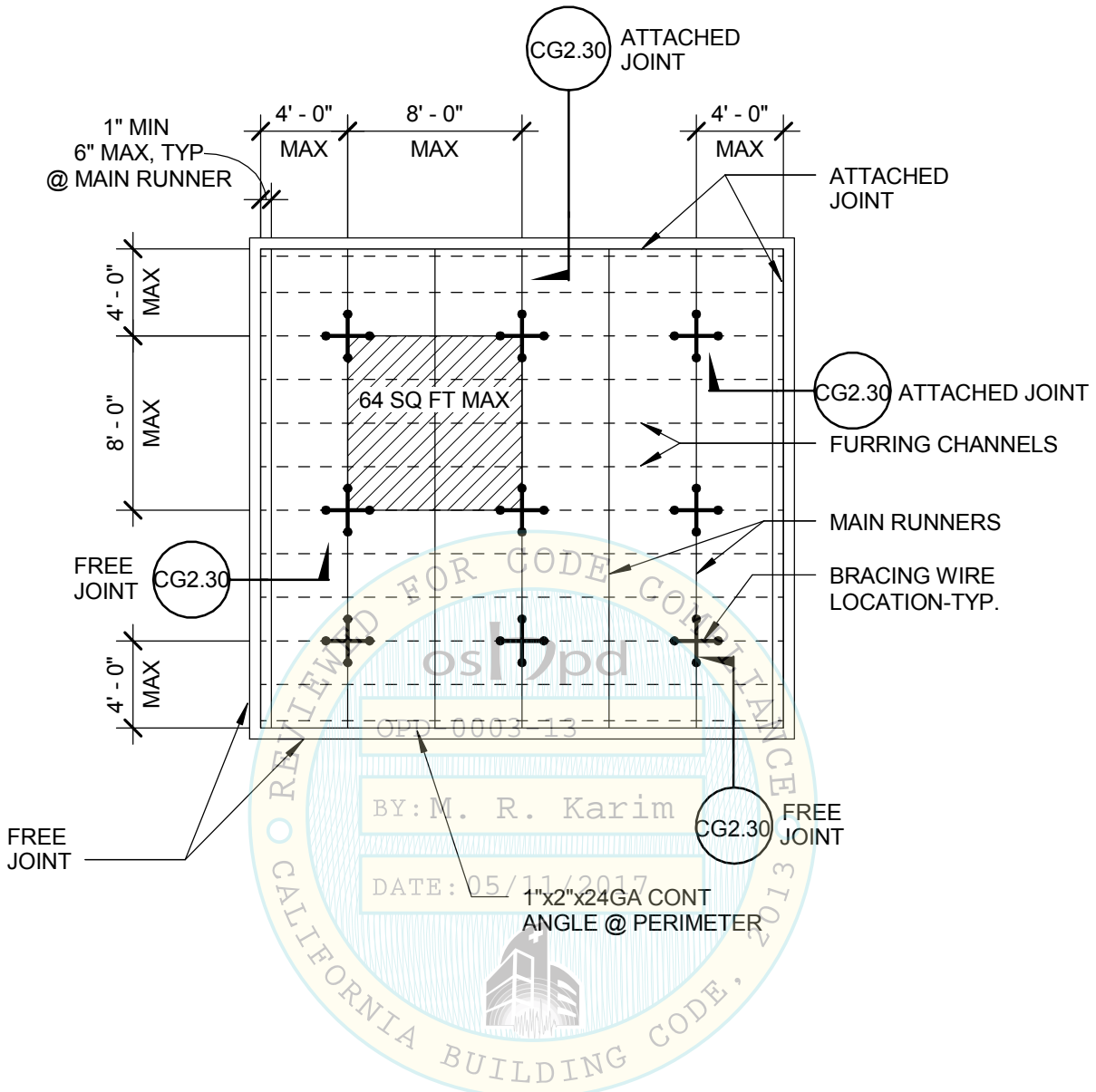
Section Title : OSHPD STANDARD GYPSUM BOARD CEILING DETAILS		OPD No:  <b>CG0.04</b>
Sheet Title : GYP-BOARD SUSPENDED CEILING PAGE 5 OF 5		



**NOTES:**

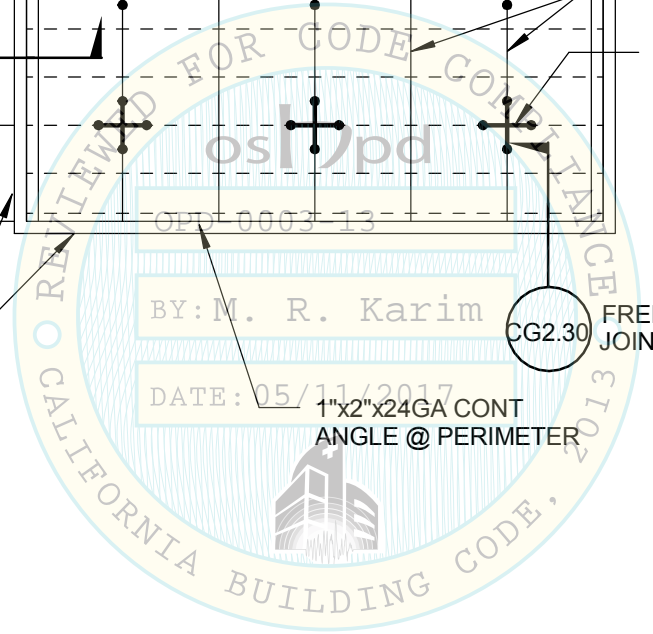
1. SEE GENERAL NOTES #13 & #14 ON CG0.02
2. STRUTS SHALL NOT REPLACE HANGER WIRES.
3. FOR CONDITIONS AT CORRIDOR SEE DRAWING NO. CG2.30
4. FOR MAIN RUNNER AND FURRING CHANNEL SPLICE CONNECTIONS, SEE CG2.31

Section Title : OSHPD STANDARD GYPSUM BOARD CEILING DETAILS		OPD No:
Sheet Title : <b>SUSPENDED CEILING BRACING ASSEMBLY</b>		<b>CG2.10</b>

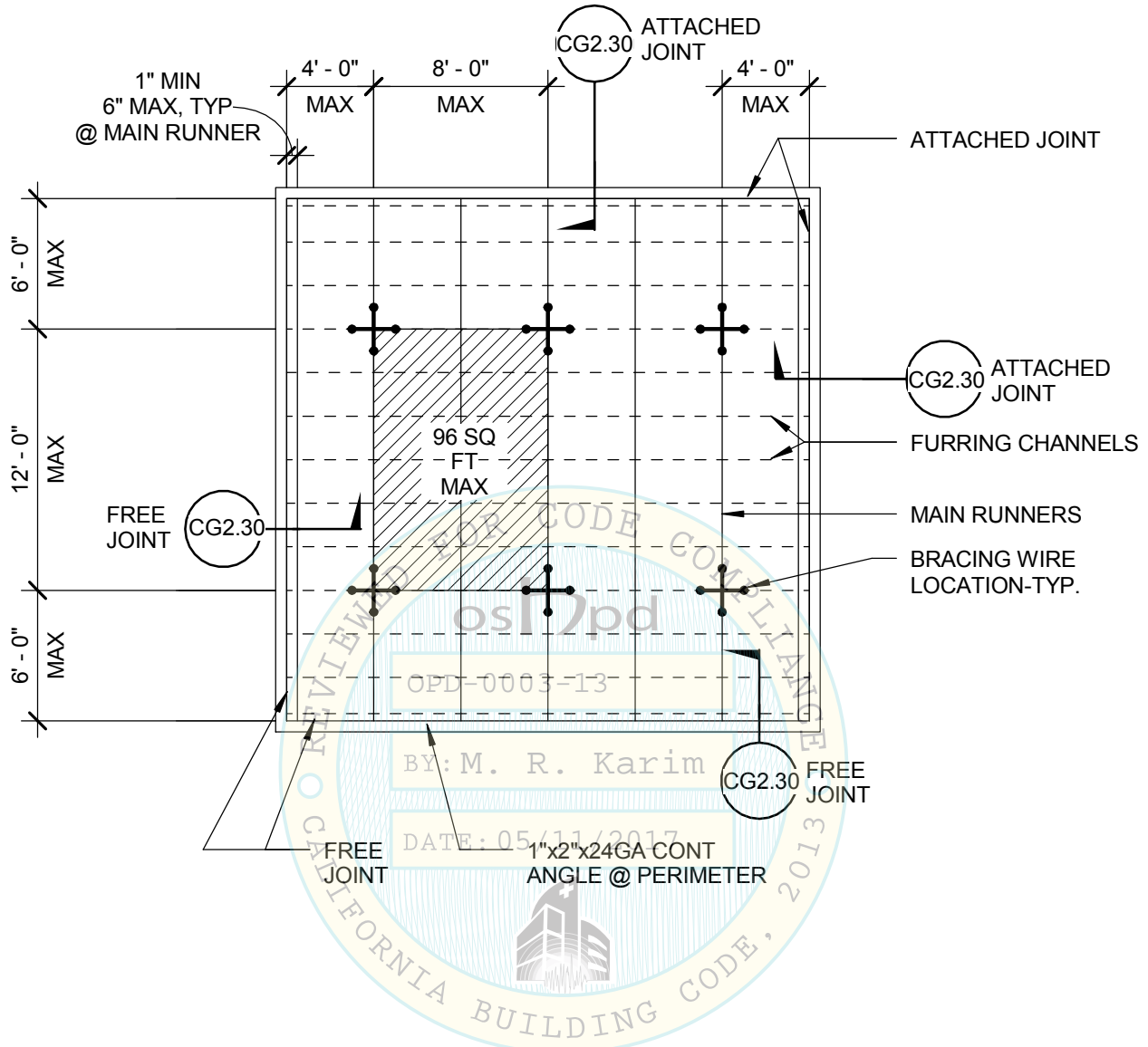


**NOTES:**

1. BRACING WIRES AND COMP. STRUT SHALL OCCUR AT EVERY 64 SQ. FT. MAX. IN ROOMS OVER 64 SQ. FT.
2. RDP MAY ELECT TO SPECIFY TIGHTER SPACING BETWEEN BRACING WIRES AND COMP. STRUTS TO ALLOW SMALLER ANCHORS PER SCHEDULES ON SHEETS CG4.31 & CG6.60.

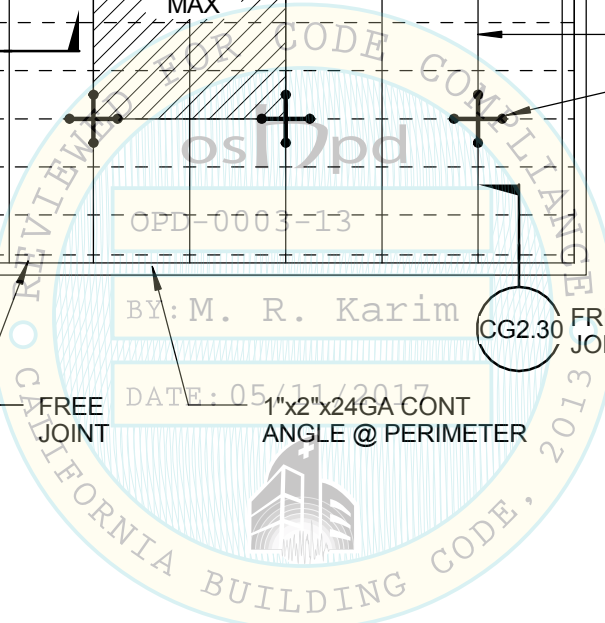


Section Title : OSHPD STANDARD GYPSUM BOARD CEILING DETAILS	OPD No:
Sheet Title : TYPICAL CEILING PLAN FOR 1.73 < S <sub>DS</sub> ≤ 2.50 AND z/h ≤ 1.0	<b>CG2.20</b>



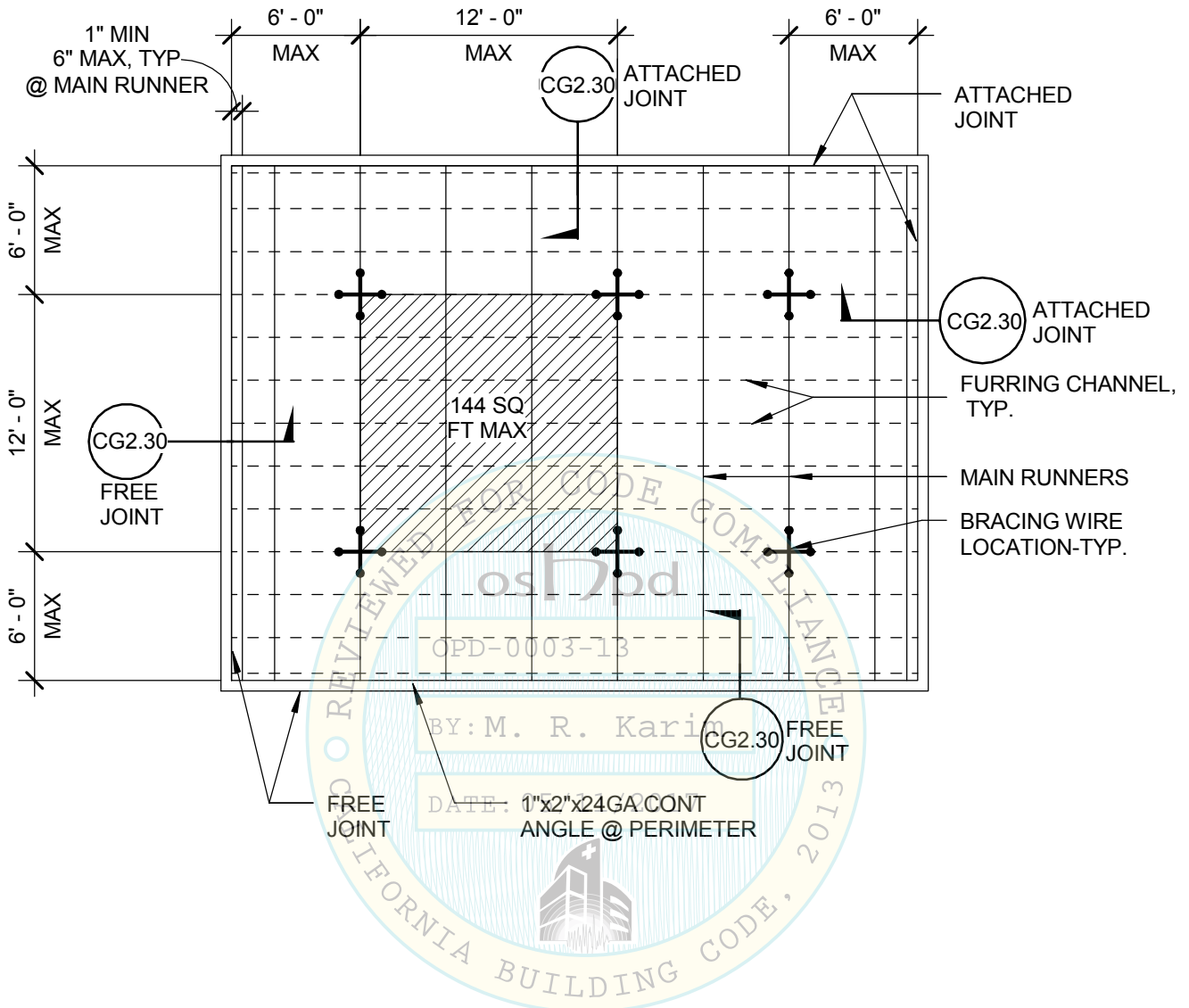
**NOTES:**

1. BRACING WIRES AND COMP. STRUT SHALL OCCUR AT EVERY 96 SQ. FT. MAX. IN ROOMS OVER 96 SQ. FT.
2. RDP MAY ELECT TO SPECIFY TIGHTER SPACING BETWEEN BRACING WIRES AND COMP. STRUTS TO ALLOW SMALLER ANCHORS PER SCHEDULES ON SHEETS CG4.31 & CG6.60.



Section Title : OSHPD STANDARD GYPSUM BOARD CEILING DETAILS	OPD No:
Sheet Title : TYPICAL CEILING PLAN FOR 1.15 < S <sub>DS</sub> ≤ 1.73 AND z/h ≤ 1.0	<b>CG2.21</b>

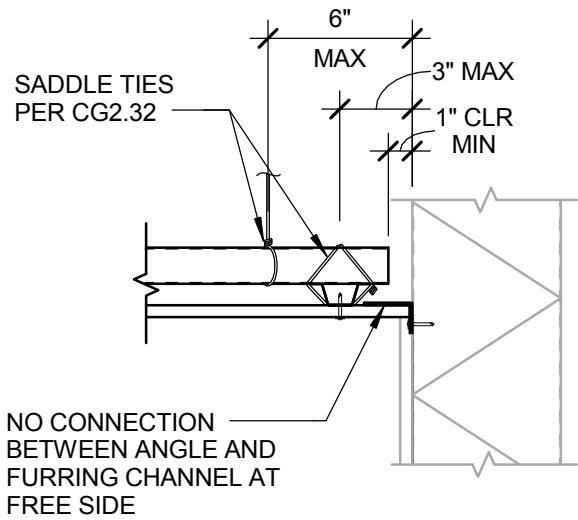
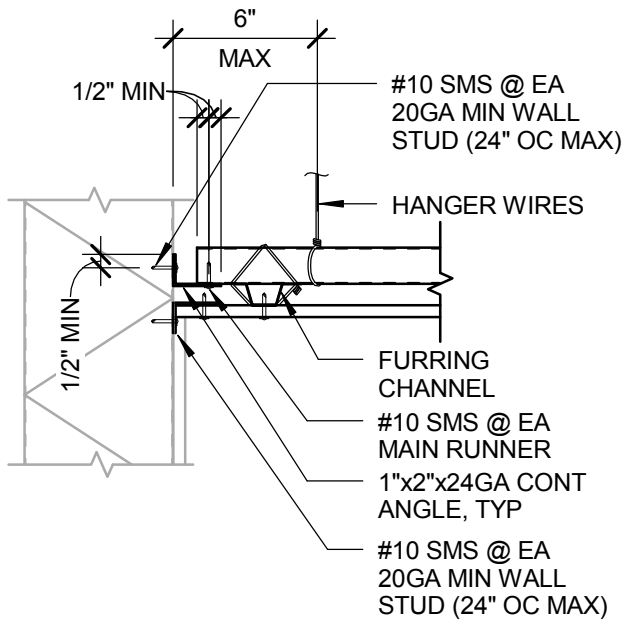




**NOTES:**

1. BRACING WIRES AND COMP. STRUT SHALL OCCUR AT EVERY 144 SQ. FT. MAX. IN ROOMS OVER 144 SQ. FT.
2. RDP MAY ELECT TO SPECIFY TIGHTER SPACING BETWEEN BRACING WIRES AND COMP. STRUTS TO ALLOW SMALLER ANCHORS PER SCHEDULES ON SHEETS CG4.31 & CG6.60.

Section Title : OSHPD STANDARD GYPSUM BOARD CEILING DETAILS	OPD No:
Sheet Title : TYPICAL CEILING PLAN FOR $S_{DS} \leq 1.15$ AND $z/h \leq 1.0$	<b>CG2.22</b>

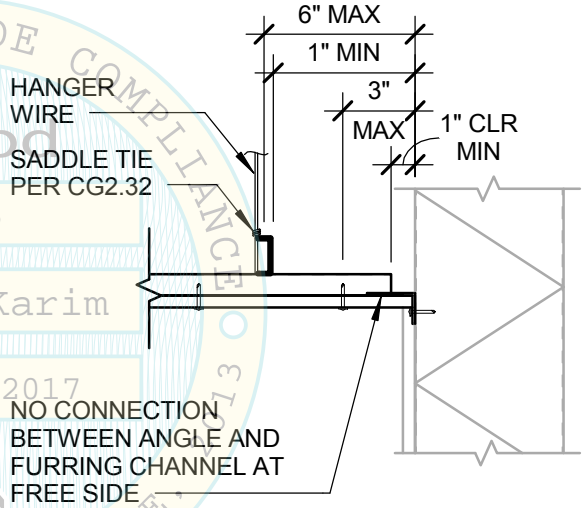
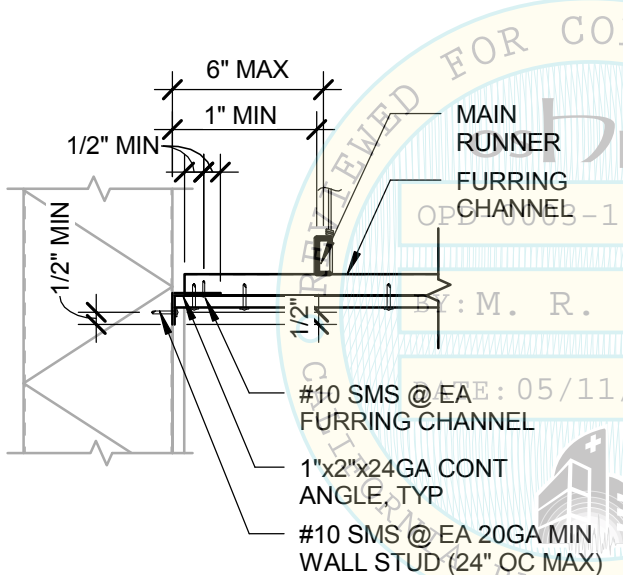


NO CONNECTION BETWEEN ANGLE AND FURRING CHANNEL AT FREE SIDE

NOTE: FOR CONN. TO WALL, SEE ATTACHED JOINT.

**ATTACHED JOINT**

**FREE JOINT**



NO CONNECTION BETWEEN ANGLE AND FURRING CHANNEL AT FREE SIDE

NOTE: FOR CONN. TO WALL, SEE ATTACHED JOINT.

**ATTACHED JOINT**

**FREE JOINT**

**NOTES:**

1. PERIMETER WALLS SHALL BE DESIGNED TO CARRY TRIBUTARY LATERAL FORCES PER TABLE BELOW. RDP TO VERIFY. RDP TO SPECIFY CONNECTION OF BACKING TO STUDS
2. WHEN GYPSUM BOARD IS TO BE APPLIED TO BOTH CEILING AND WALLS, GYPSUM BOARD SHALL BE APPLIED FIRST TO THE CEILING AND THEN TO WALLS IN ACCORDANCE WITH ASTM C840.

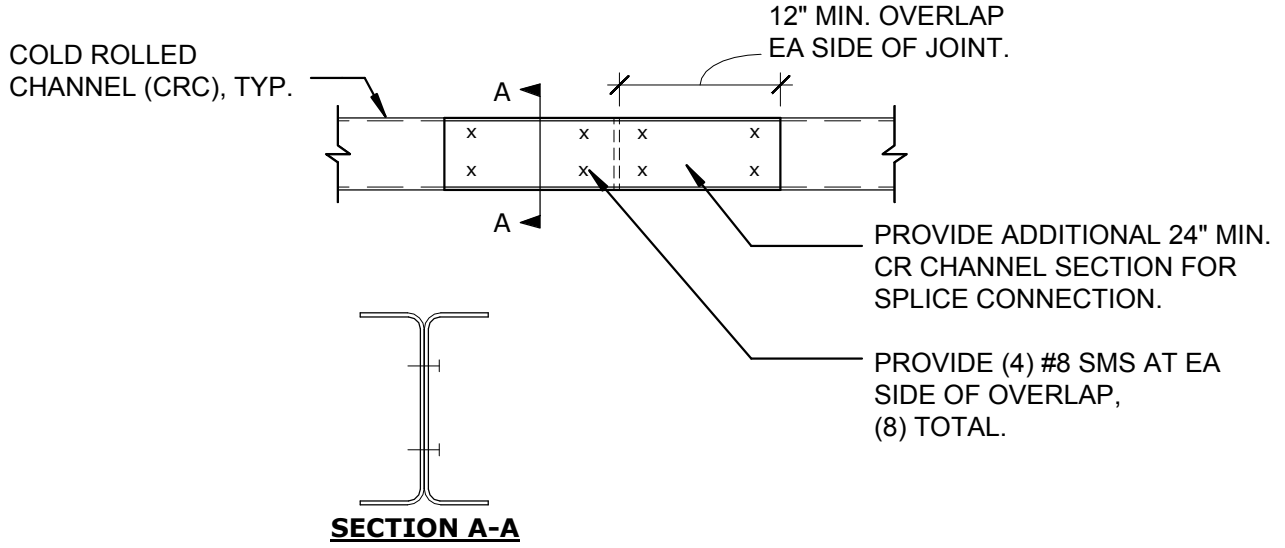
S <sub>DS</sub> (g)	F <sub>p</sub>
S <sub>DS</sub> ≤ 1.15	9.3 plf
1.15 < S <sub>DS</sub> ≤ 1.73	14.0 plf
1.73 < S <sub>DS</sub> ≤ 2.50	20.9 plf

Section Title : OSHPD STANDARD GYPSUM BOARD CEILING DETAILS

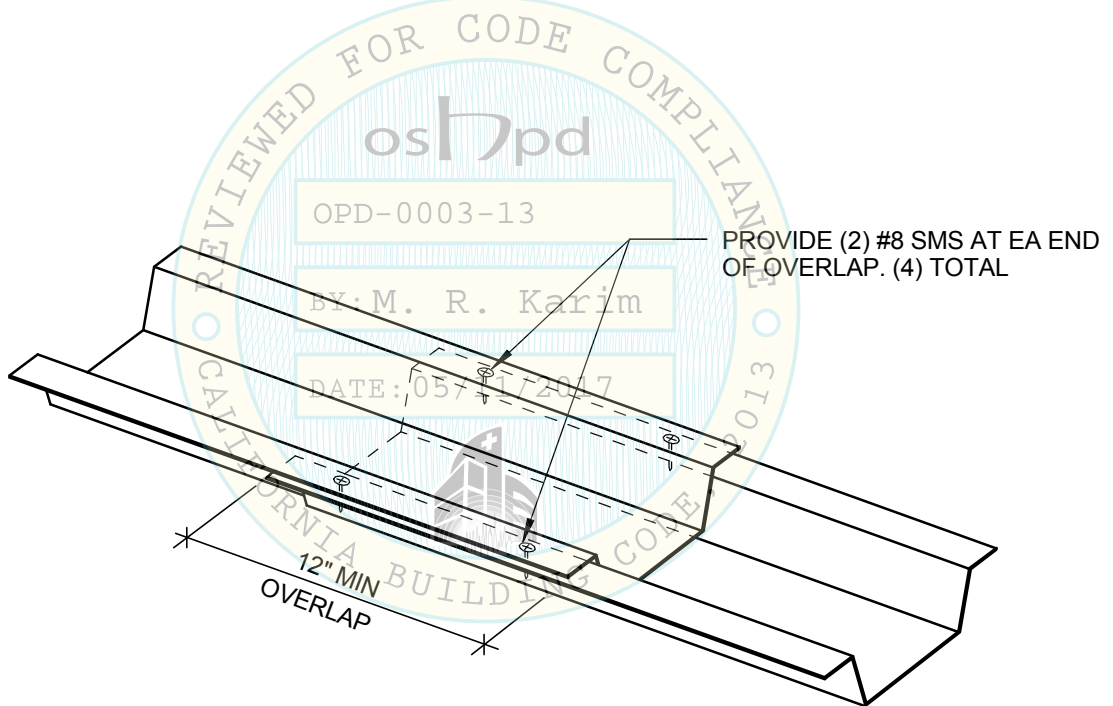
Sheet Title : CEILING PERIMETER

OPD No:

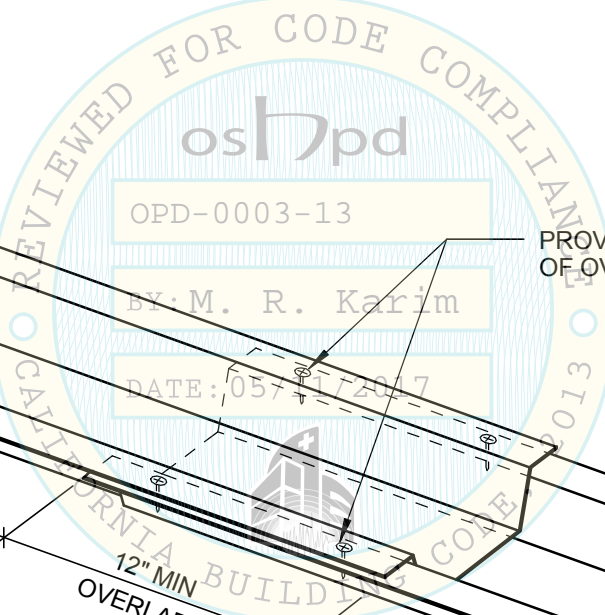
**CG2.30**



**MAIN RUNNER SPLICE**

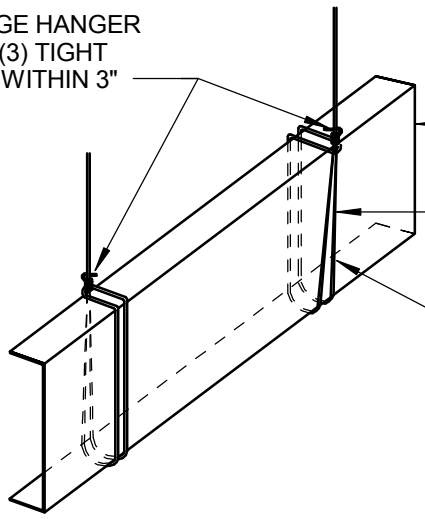


**FURRING CHANNEL SPLICE**



Section Title : OSHPD STANDARD GYPSUM BOARD CEILING DETAILS		OPD No:
Sheet Title : SPLICE DETAILS		<b>CG2.31</b>
		Rev: 10/31/2023

#12 GAGE HANGER  
WIRES (3) TIGHT  
TURNS WITHIN 3"

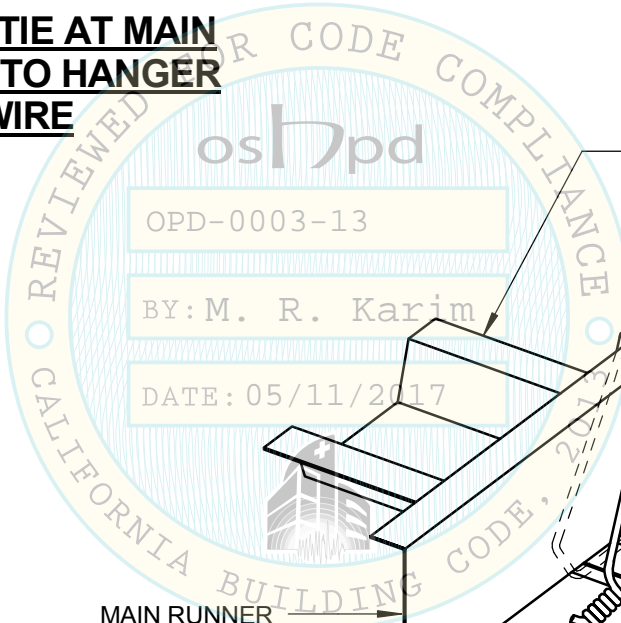


MAIN RUNNER

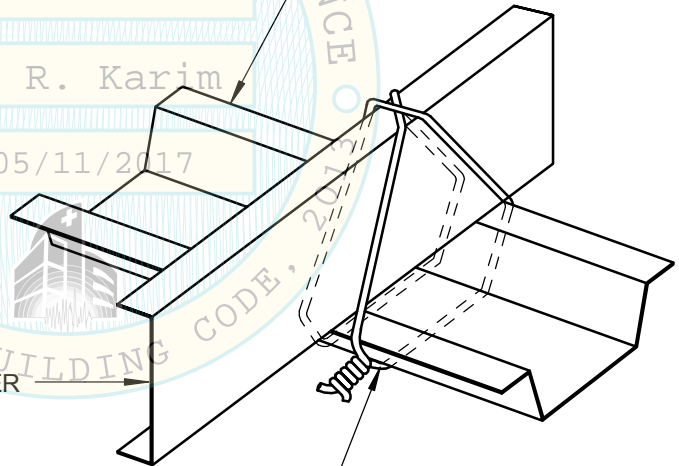
SADDLE TIE HAS DOUBLE  
LOOP AT SUPPORT

WHEN MULTIPLE SADDLE TIES  
ARE REQUIRED THEY SHALL  
ALTERNATE BACK AND FORTH  
TO PREVENT TWISTING

**SADDLE TIE AT MAIN  
RUNNER TO HANGER  
WIRE**



FURRING  
CHANNEL



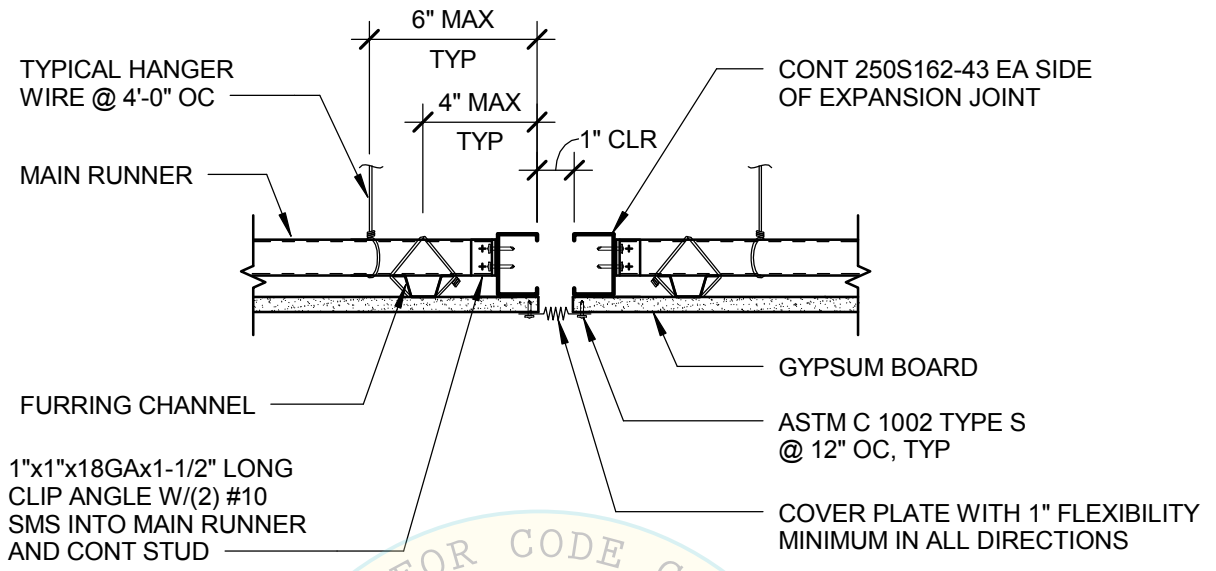
MAIN RUNNER

#16 GAGE WIRE OR  
DOUBLE STRAND OF  
#18 GAGE WIRE

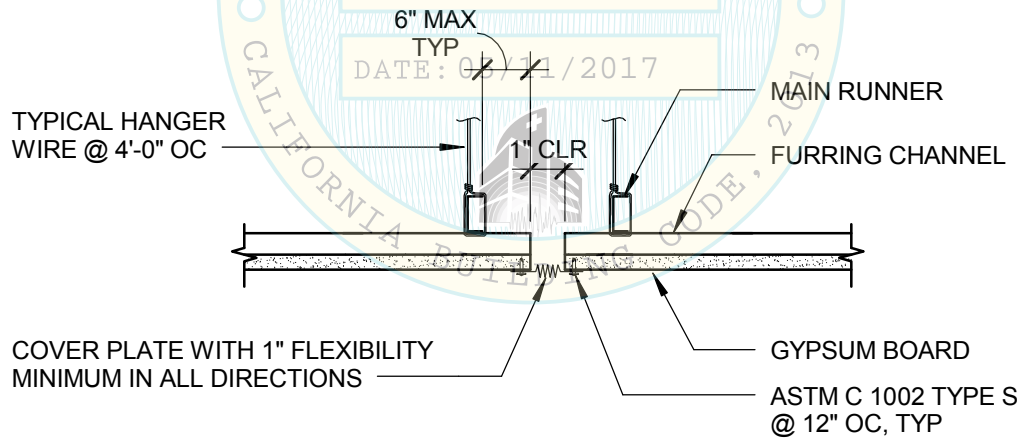
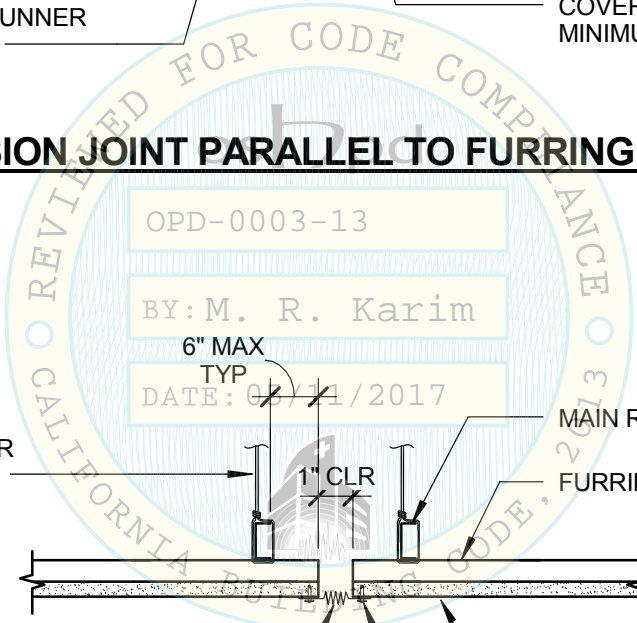
**SADDLE TIE AT  
FURRING CHANNEL  
TO MAIN RUNNER**

NOTE:  
REFERENCE ASTM  
C754 FIGURES 5 & 13

Section Title : OSHPD STANDARD GYPSUM BOARD CEILING DETAILS		OPD No:
Sheet Title : SADDLE TIE DETAILS		CG2.32

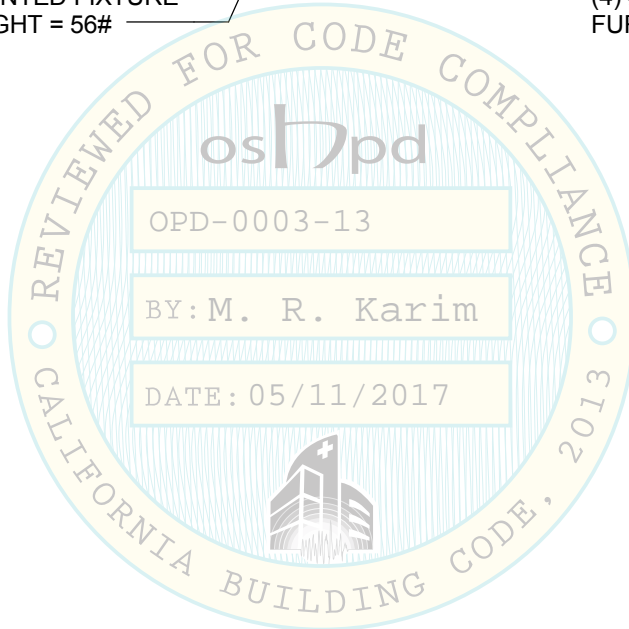
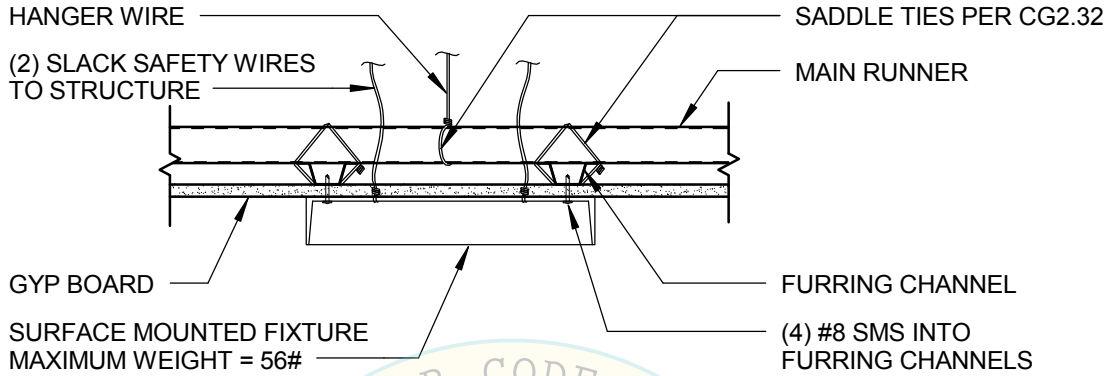


**EXPANSION JOINT PARALLEL TO FURRING CHANNEL**



**EXPANSION JOINT PARALLEL TO MAIN RUNNER**

Section Title : OSHPD STANDARD GYPSUM BOARD CEILING DETAILS		OPD No:
Sheet Title : EXPANSION JOINT AT INTERSECTIONS		CG2.40



Section Title : OSHPD STANDARD GYPSUM BOARD CEILING DETAILS		OPD No:
Sheet Title : SURFACE MOUNTED FIXTURE		CG2.70

(2) 12 GA SLACK SAFETY HANGER WIRE  
AT DIAGONALLY OPPOSITE CORNERS  
ANCHORED TO STRUCTURE ABOVE  
PER CG4.10

RECESSED  
LIGHT FIXTURE  
MAX WT = 56#

HANGER WIRE

PROVIDE (1) OR MORE 150U050-54 AS  
REQUIRED. SEE GENERAL NOTE #15b.  
SUPPORT BY FURRING CHANNEL IS  
NOT PERMITTED.

SADDLE TIES

MAIN RUNNER

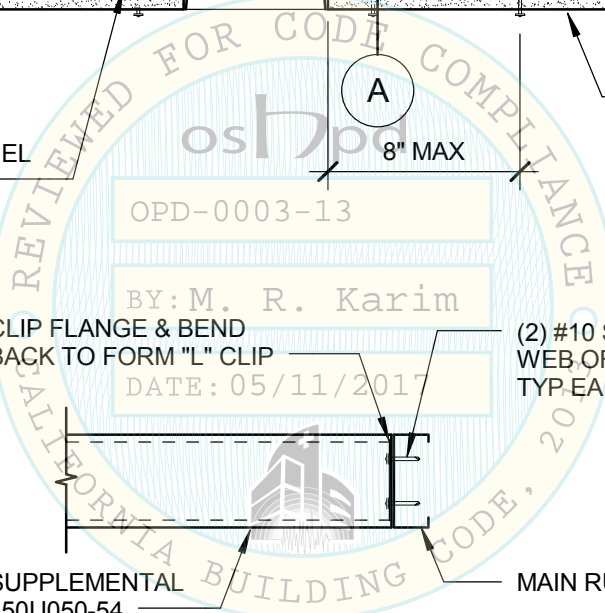
FURRING CHANNEL

GYP BOARD

ADDITIONAL FURRING CHANNEL  
AT FIXTURE AS REQUIRED

A

8" MAX



CLIP FLANGE & BEND  
BACK TO FORM "L" CLIP

(2) #10 SMS ATTACH TO  
WEB OF MAIN RUNNER,  
TYP EA END.

DATE: 05/11/2017

SUPPLEMENTAL  
150U050-54

MAIN RUNNER

A

**DETAIL**

**NOTE:**

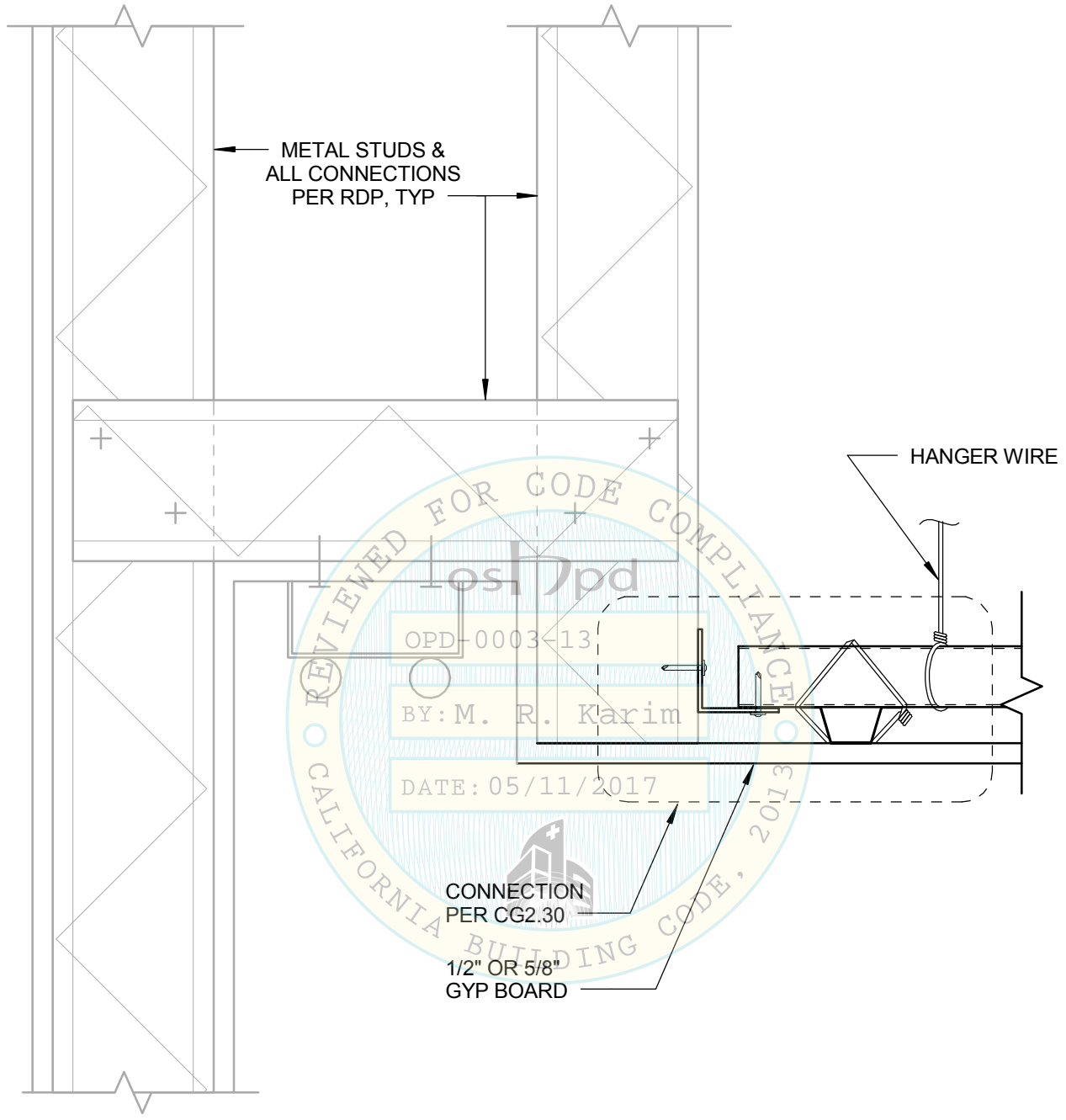
IF THE MAIN RUNNER IS CUT DUE TO FIXTURES, RDP SHALL SPECIFY ADDITIONAL HANGER WIRES AND/OR BRACING WIRES, AS REQUIRED TO MAINTAIN STRUCTURAL INTEGRITY.

Section Title : OSHPD STANDARD GYPSUM BOARD CEILING DETAILS

OPD No:

Sheet Title : RECESSED LIGHT FIXTURE

**CG2.71**



METAL STUDS &  
ALL CONNECTIONS  
PER RDP, TYP

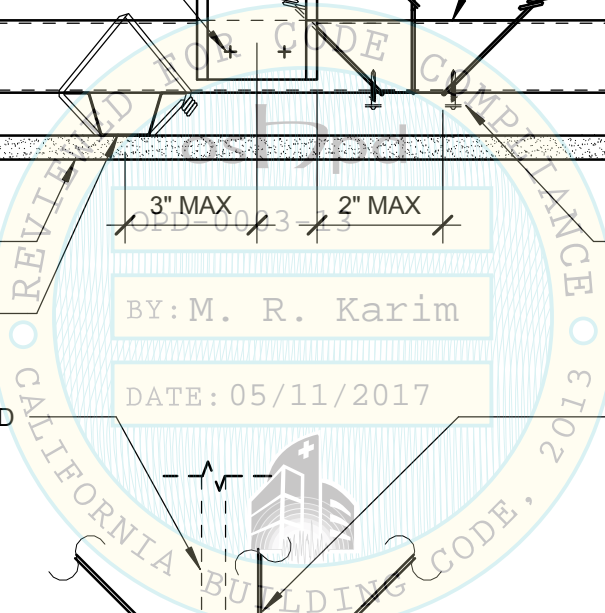
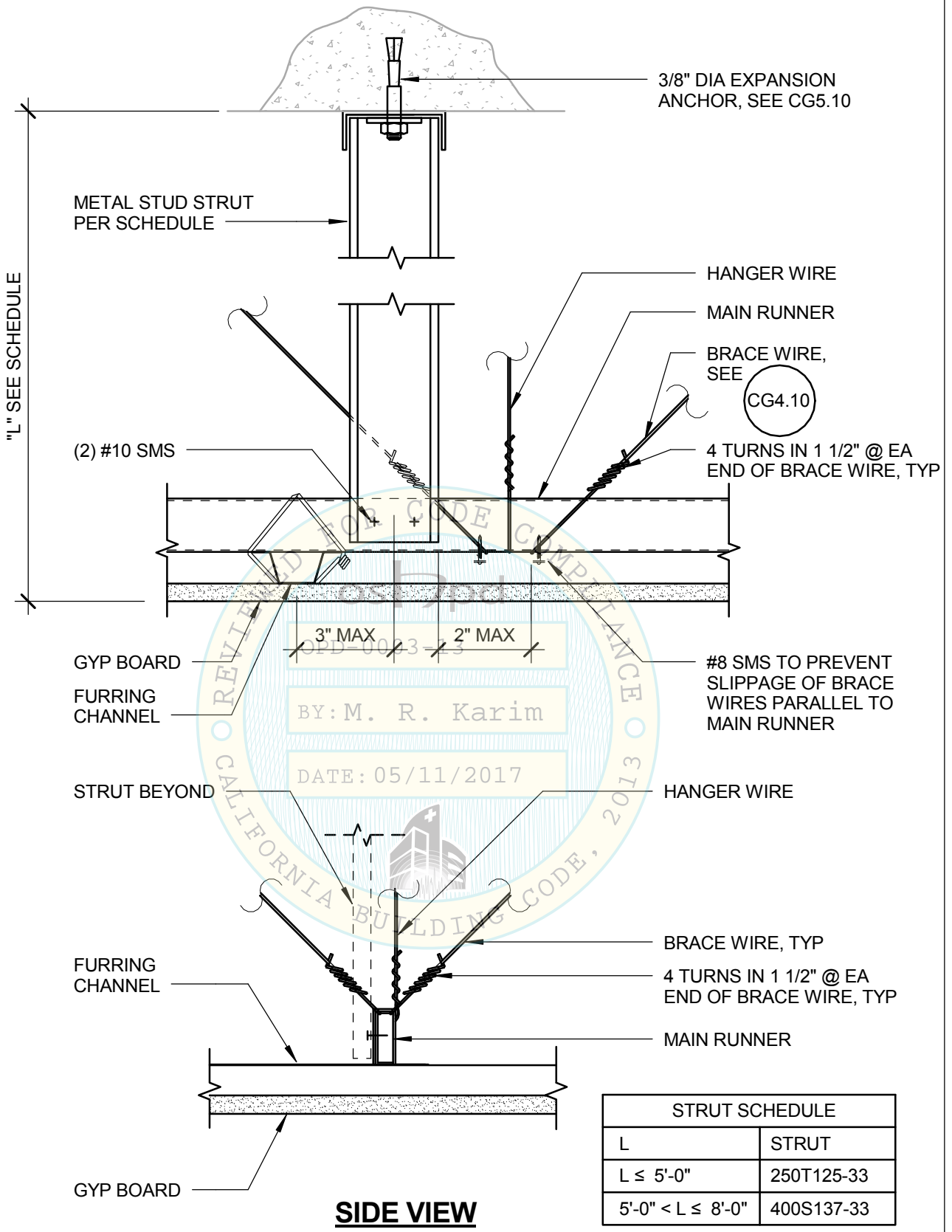
HANGER WIRE

REVIEWED FOR CODE COMPLIANCE  
 OSHPD  
 OPD-0003-13  
 BY: M. R. Karim  
 DATE: 05/11/2017  
 CALIFORNIA BUILDING CODE, 2013

CONNECTION  
 PER CG2.30  
 1/2" OR 5/8"  
 GYP BOARD

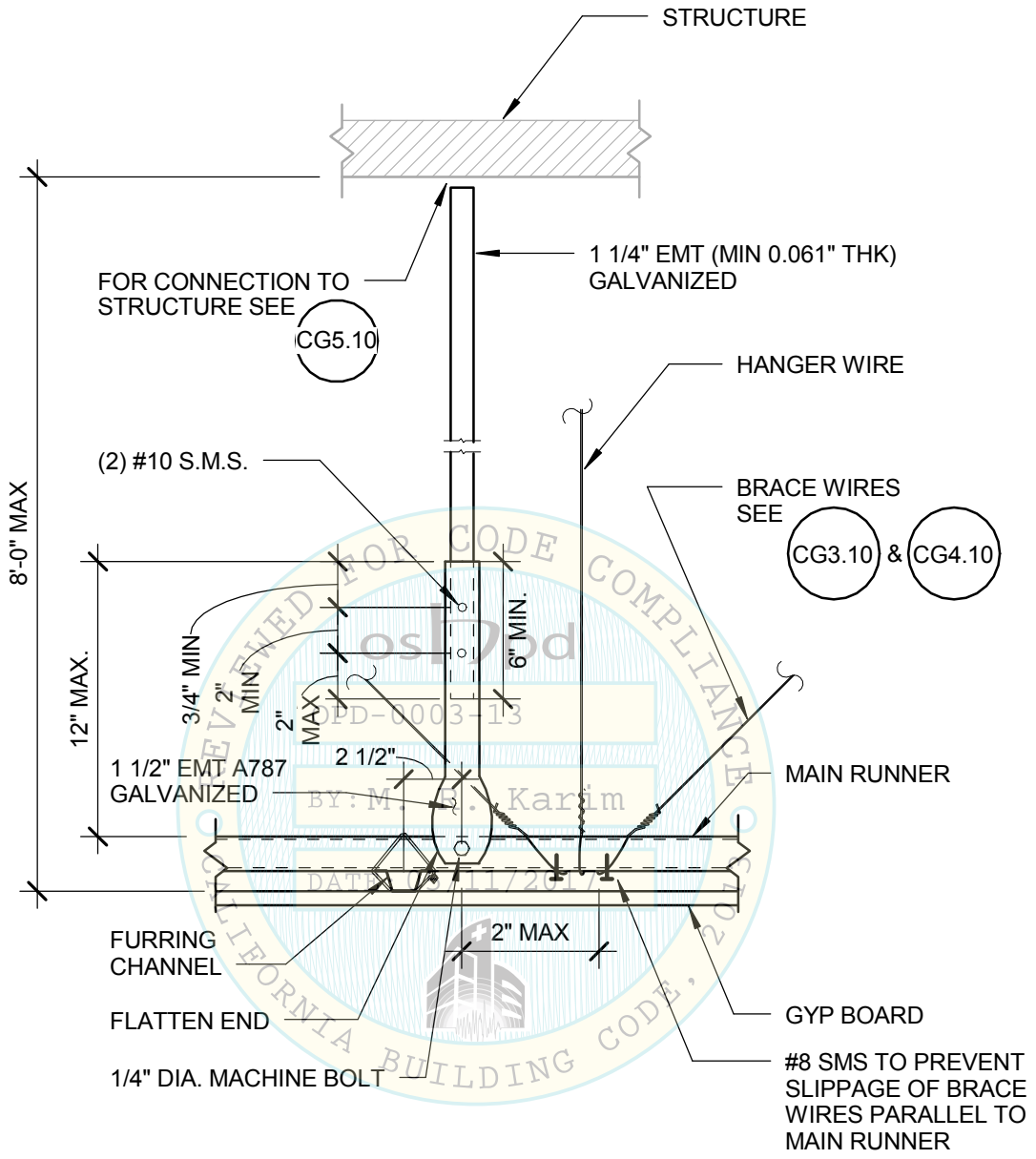
Section Title : OSHPD STANDARD GYPSUM BOARD CEILING DETAILS		OPD No:
Sheet Title : RECESSED COVE LIGHT FIXTURE		CG2.72





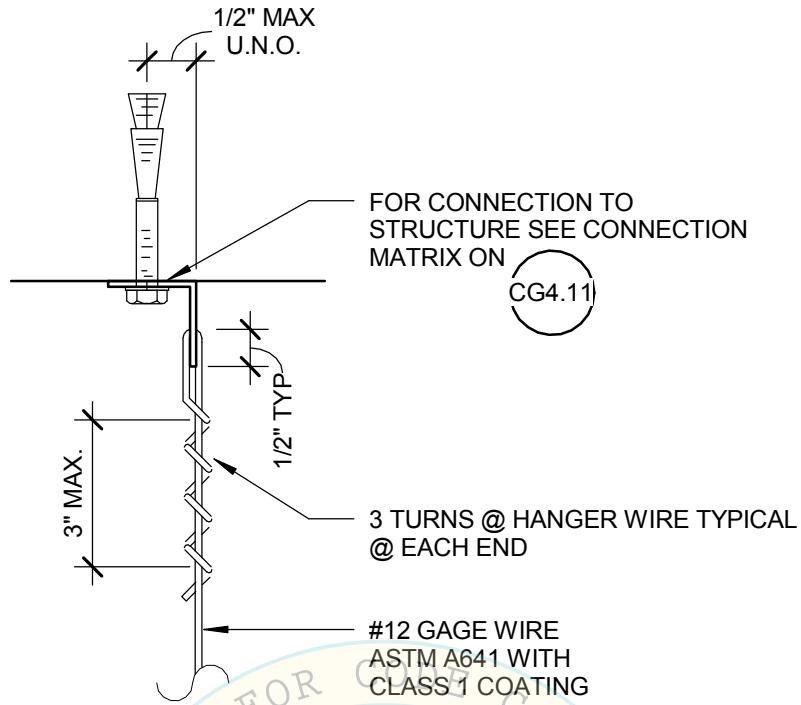
STRUT SCHEDULE	
L	STRUT
L ≤ 5'-0"	250T125-33
5'-0" < L ≤ 8'-0"	400S137-33

Section Title : OSHPD STANDARD GYPSUM BOARD CEILING DETAILS	OPD No:
Sheet Title : STRUT & BRACING WIRE ASSEMBLY - METAL STUD TYPE STRUT	<b>CG3.10</b>

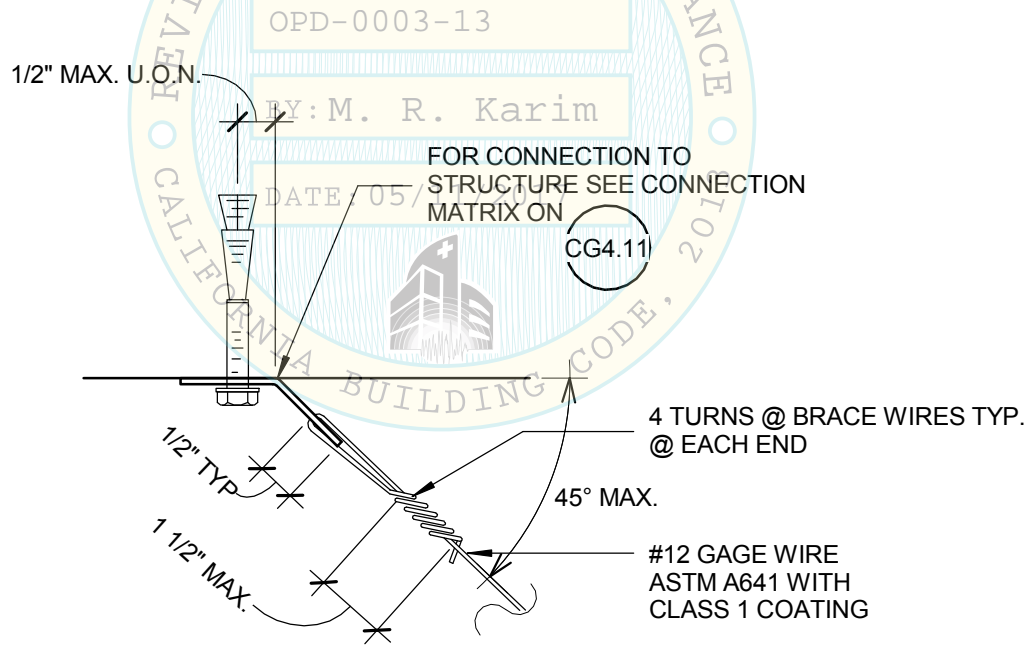


NOTE: FOR INFORMATION NOT SHOWN, SEE CG2.10 AND CG3.10

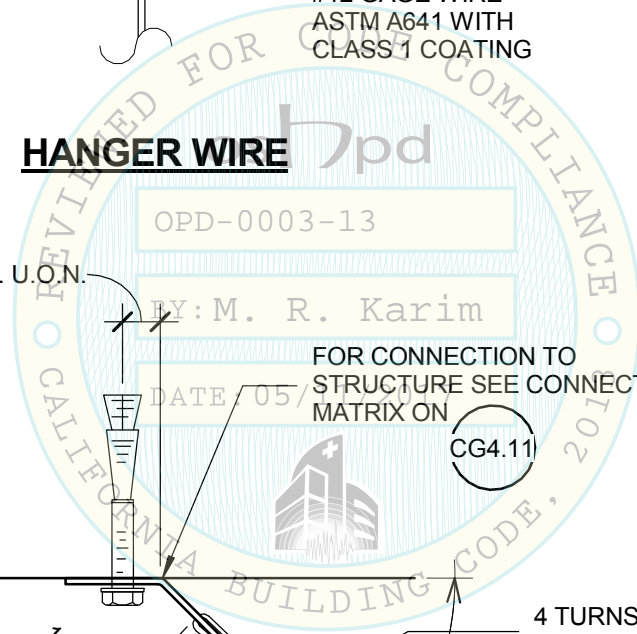
Section Title : OSHPD STANDARD GYPSUM BOARD CEILING DETAILS	OPD No:
Sheet Title : STRUT & BRACING WIRE ASSEMBLY - TUBE TYPE STRUT	CG3.20



**HANGER WIRE**

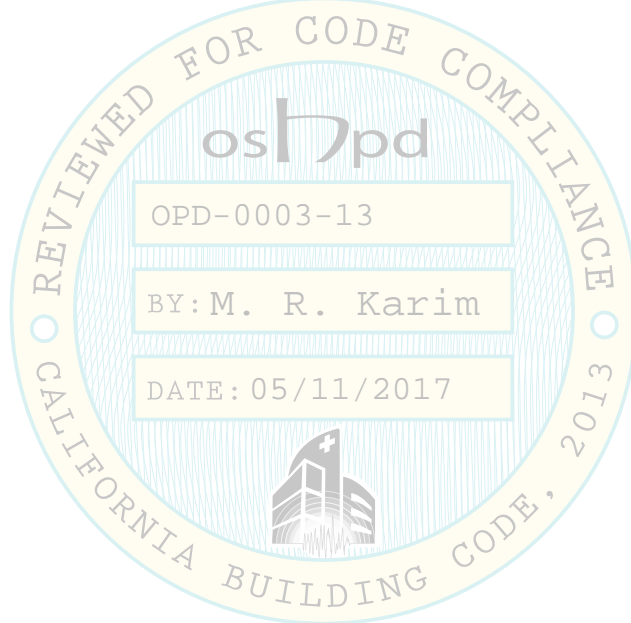


**BRACING WIRE**

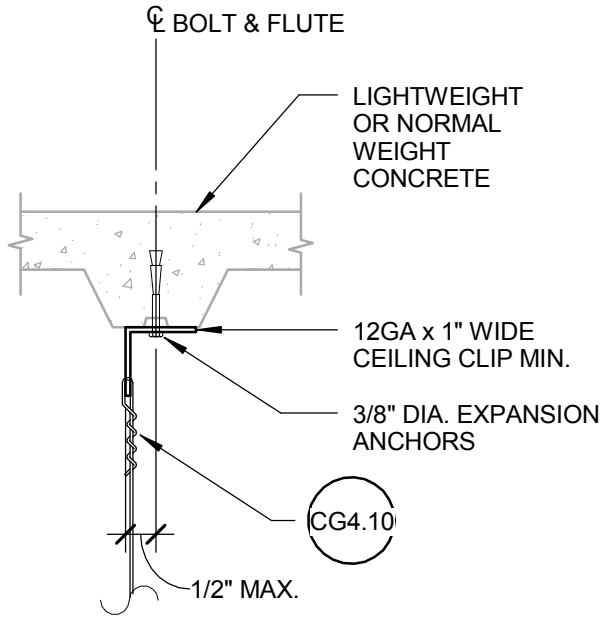


Section Title : OSHPD STANDARD GYPSUM BOARD CEILING DETAILS		OPD No:
Sheet Title : HANGER AND BRACE WIRE CONNECTION - TYPICAL WIRE TURNS		CG4.10

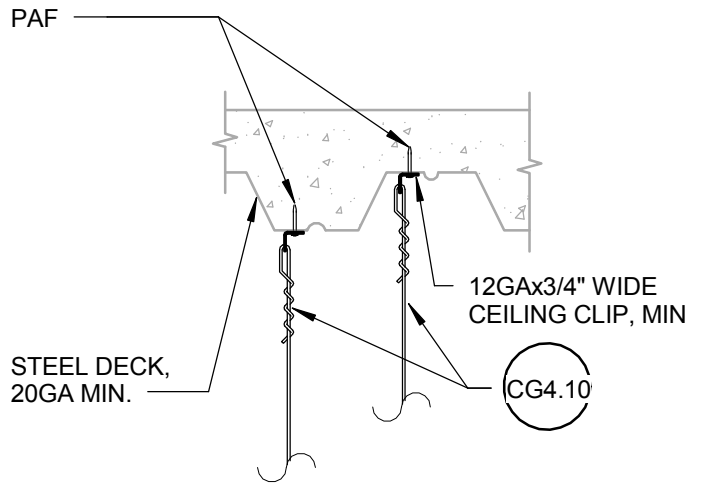
<b>STRUCTURAL CONDITION OF FLOOR/ ROOF ABOVE SUSPENDED CEILING</b>	<b>APPLICABLE HANGER WIRE DETAIL</b>	<b>APPLICABLE BRACING WIRE DETAIL</b>
CONCRETE OVER METAL DECK	CG4.21	CG4.31
CONCRETE SLAB, BEAM, OR JOIST	CG4.22	CG4.32
STRUCTURAL STEEL	CG4.23	CG4.33
SAWN TIMBER	CG4.24	CG4.34
METAL STUD WALL	CG4.25	CG4.35



Section Title : OSHPD STANDARD GYPSUM BOARD CEILING DETAILS		OPD No:
Sheet Title : HANGER AND BRACING WIRE CONNECTION MATRIX		<b>CG4.11</b>

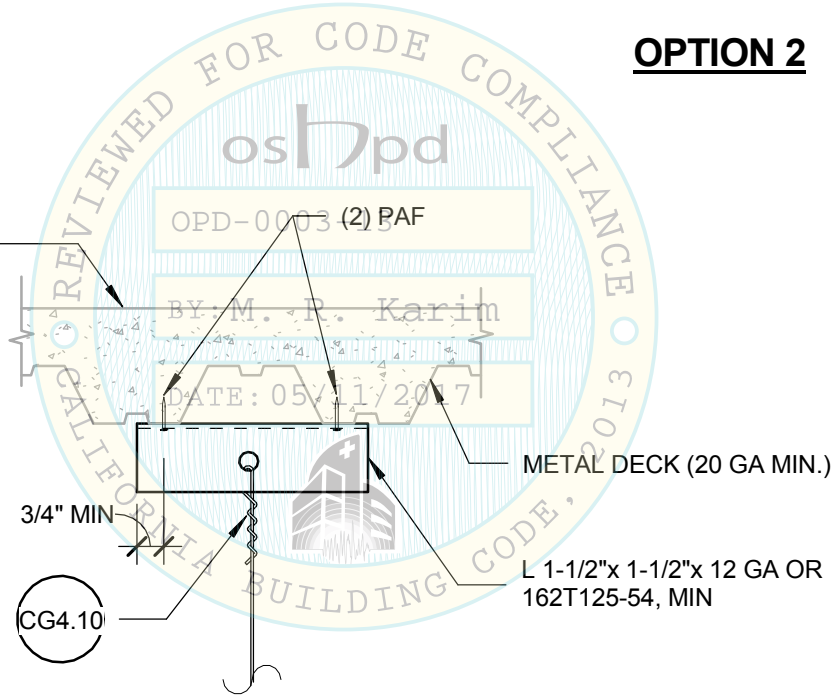


**OPTION 1**



**OPTION 2**

LIGHTWEIGHT OR  
NORMAL WEIGHT  
CONCRETE



**OPTION 3**

**NOTES:**

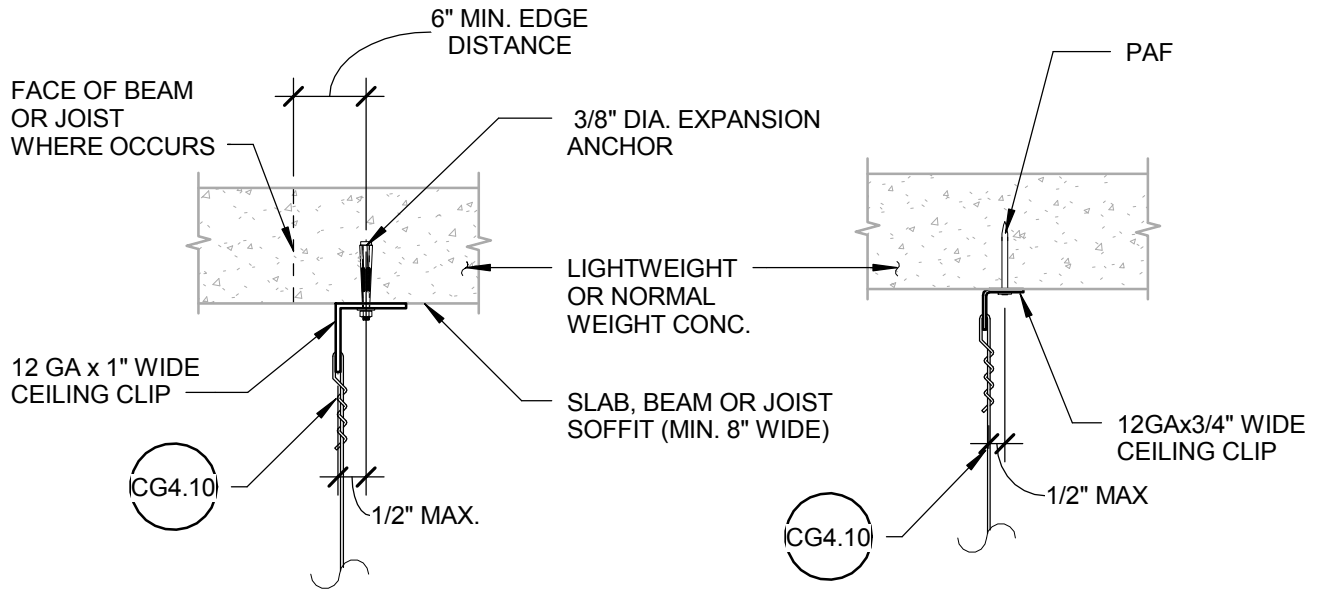
1. LOAD TEST IN ACCORDANCE WITH GENERAL NOTE 14(g), PAGE CG0.02 SHALL BE REQUIRED
2. REFER TO CG4.10 FOR ADDITIONAL DETAILS

Section Title : OSHPD STANDARD GYPSUM BOARD CEILING DETAILS

Sheet Title : HANGER WIRE - CONCRETE OVER METAL DECK

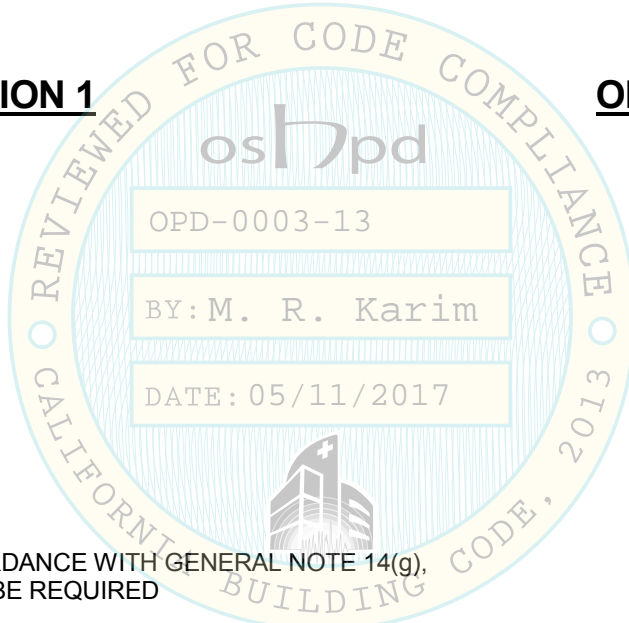
OPD No:

**CG4.21**



**OPTION 1**

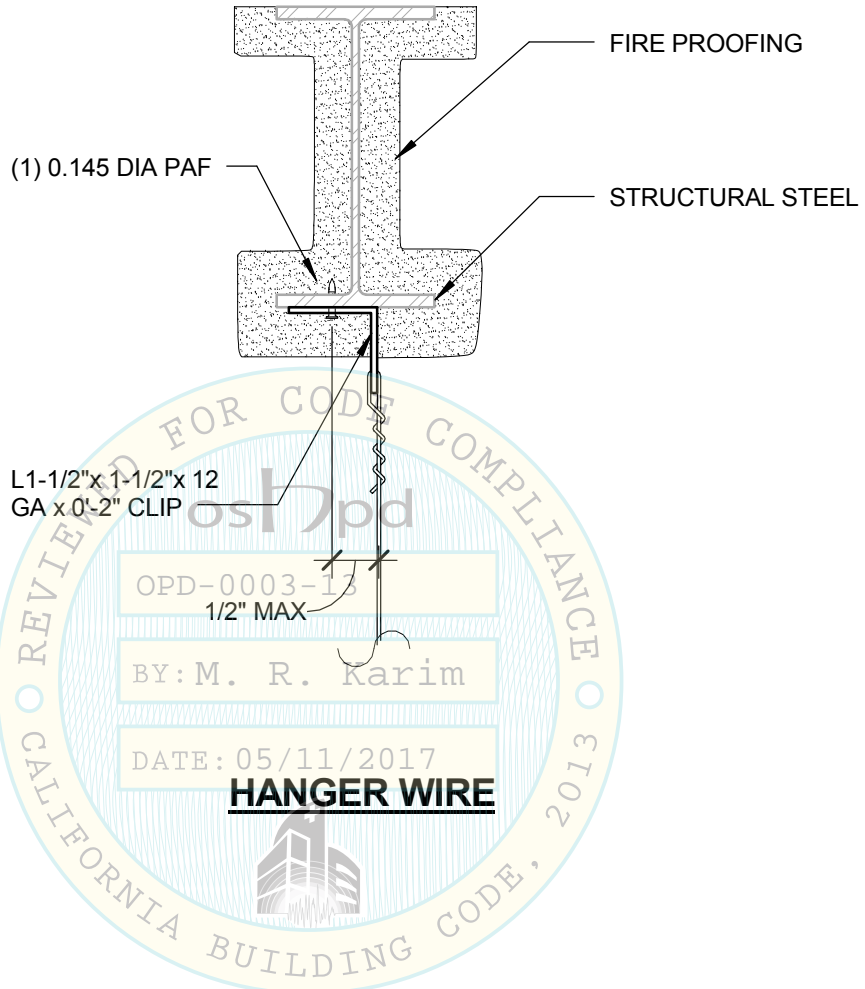
**OPTION 2**



**NOTES:**

1. LOAD TEST IN ACCORDANCE WITH GENERAL NOTE 14(g), PAGE CG0.02 SHALL BE REQUIRED
2. PRIOR TO INSTALLATION, REINFORCING/PRESTRESSING BAR LOCATIONS SHALL BE DETERMINED BY NON-DESTRUCTIVE TESTING
3. REFER TO CG4.10 FOR ADDITIONAL DETAILS

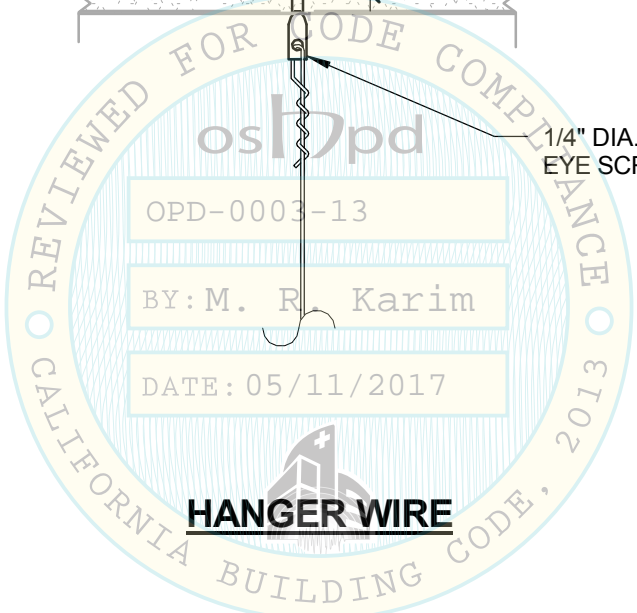
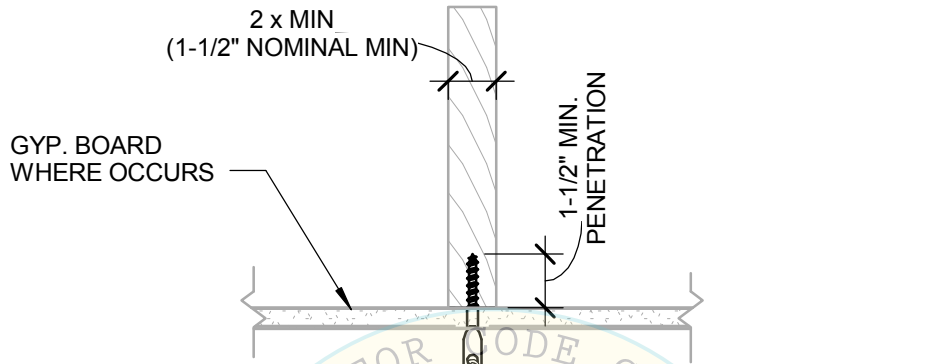
Section Title : OSHPD STANDARD GYPSUM BOARD CEILING DETAILS		OPD No:
Sheet Title : HANGER WIRE - CONCRETE SLAB, BEAM, OR JOIST		<b>CG4.22</b>



**NOTES :**

1. BEAM FLANGE THICKNESS SHALL NOT BE LESS THAN 3/16" OR MORE THAN 3/8"
2. FRAMING MEMBERS SHALL BE DESIGNED TO CARRY THE CEILING LOADS, RDP TO VERIFY
3. RDP IN RESPONSIBLE CHARGE, I.O.R. AND CONTRACTOR SHALL VERIFY THAT NO PAF IS INSTALLED IN THE PROTECTED ZONE OF ANY STEEL MEMBER, SEE ANSI/AISC 341-10.

Section Title : OSHPD STANDARD GYPSUM BOARD CEILING DETAILS		OPD No:
Sheet Title : HANGER WIRE - STRUCTURAL STEEL		<b>CG4.23</b>



NOTES:

1. FRAMING MEMBERS SHALL BE DESIGNED TO CARRY THE CEILING LOADS, RDP TO VERIFY
2. RDP SHALL VERIFY THAT SCREWS AT THE BOTTOM FLANGE OF TRUSS IS ACCEPTABLE

Section Title : OSHPD STANDARD GYPSUM BOARD CEILING DETAILS		OPD No:
Sheet Title : HANGER WIRE - SAWN TIMBER		CG4.24



5/9/2017 9:07:23 AM

WALL STUD PER RDP 20 GA MIN

1 LAYER OF GYP. BD.

2-#10 S.M.S. @ 2" O.C.

1"x1"x12GAx 3" CLIP ANGLE

3 TIGHT TURNS IN 3"

**OPTION 1**

362S137-33 MIN. BACKING STUD. SPAN 2 WALL STUDS MINIMUM. FASTEN BACKING TO WALL STUDS USING (2) #10X1-1/4" SMS AT EACH STUD.

1"x1"x12GAx 3/4" CLIP ANGLE. FASTEN TO BACKING STUD USING #10 X 1-1/4" SHEET METAL SCREW.

6 MAX. SLOPE FROM VERTICAL

12 GA. PERIMETER WIRE WITH 3 TIGHT TURNS IN 3" BOTH ENDS OF WIRE TYPICAL.

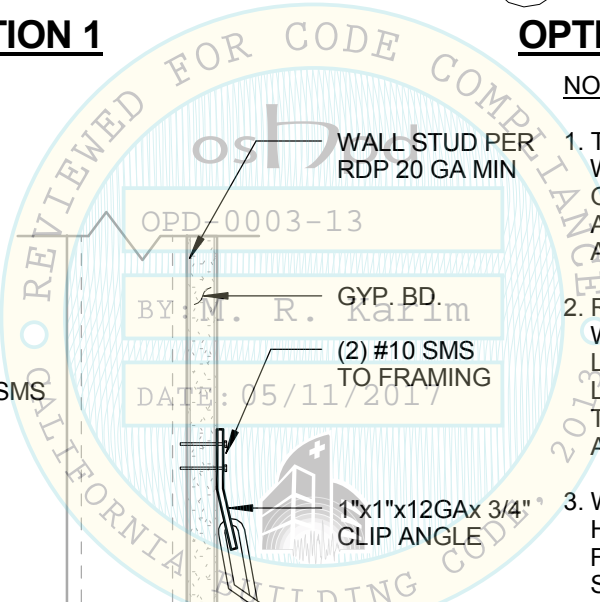
**OPTION 2**

NOTES:

1. THIS IS APPLIED FOR PERIMETER WIRE ATTACHEMENT OR WHERE OBSTRUCTION PREVENTS ATTACHMENT TO STRUCTURE ABOVE

2. RDP SHALL DESIGN FRAMING WALL TO CARRY THE CEILING LOAD. SEE TABLE BELOW FOR LOADS. LOADS ASSUME A TRIBUTARY AREA OF 16 SQ FT AND ARE UNFACTORED.

3. WALLS SHALL BE DESIGNED FOR HANGER FORCES BELOW. AT FREE JOINT, HANGER WIRE SHALL HAVE A MINIMUM STRETCH LENGTH (CLR LENGTH BTWN TURNS) OF 12"



WALL STUD PER RDP 20 GA MIN

OPD/0003-13

BY: M. R. Karim

(2) #10 SMS TO FRAMING

DATE: 05/11/2017

GYP. BD.

1"x1"x12GAx 3/4" CLIP ANGLE

CEILING HANGER WIRE AS REQUIRED

(1) #10 SMS

A. "DIRECT" (FOR NOTES SEE "THRU GYP")

B. "THRU GYP"

6 MAX. SLOPE FROM VERTICAL

**OPTION 3**

HANGER FORCES

VERTICAL    HORIZONTAL

DEAD

64 LBS

11 LBS

SEISMIC (0.14S<sub>Ds</sub> W<sub>p</sub>)

S<sub>Ds</sub> <= 1.15

11 LBS

2 LBS

1.15 < S<sub>Ds</sub> <= 1.73

16 LBS

3 LBS

1.73 < S<sub>Ds</sub> <= 2.50

23 LBS

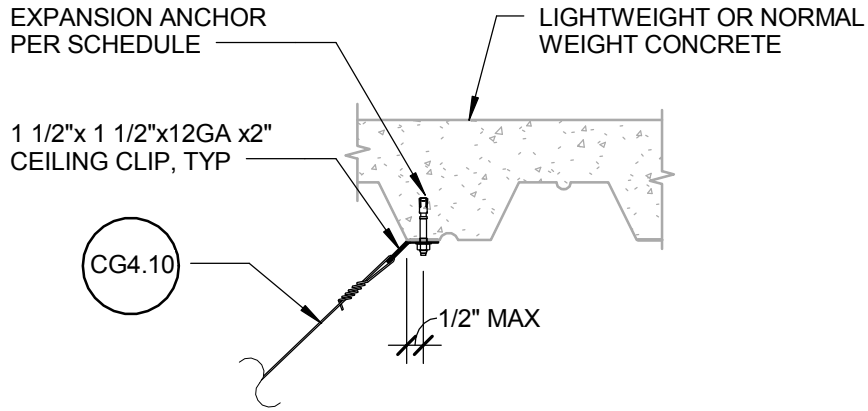
4 LBS

Section Title : OSHPD STANDARD GYPSUM BOARD CEILING DETAILS

OPD No:

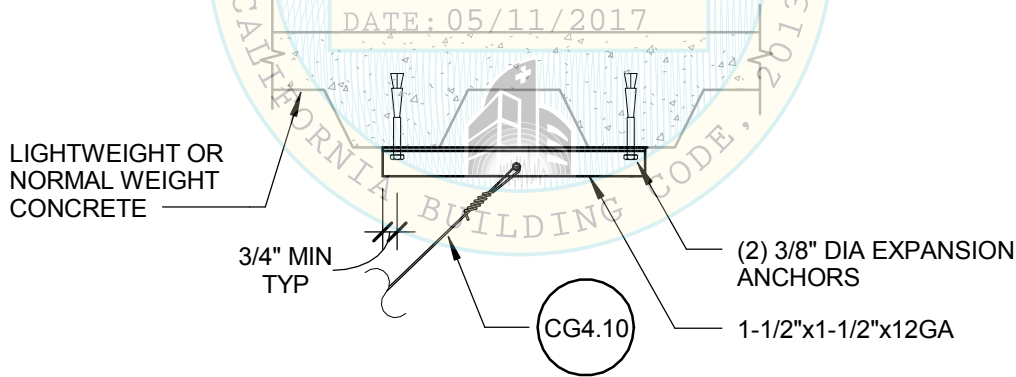
Sheet Title : HANGER WIRE - METAL STUD WALL

**CG4.25**



**OPTION 1**

ANCHOR BOLT SIZE	SPLAY BRACE/COMP POST SPACING	SDS (g) RANGE (z/h = 1.0)	DECK TYPE
5/8 x 4 1/4" EMBED	8' x 8' (PER CG2.20)	1.73 <math>S_{DS}</math> ≤ 2.5 (PER CG2.20)	W3 + 3 1/4" MIN PER GX1.20
5/8 x 4 1/4" EMBED	8' x 12' (PER CG2.21)	1.15 <math>S_{DS}</math> ≤ 1.73 (PER CG2.21)	W3 + 3 1/4" MIN PER GX1.20
5/8 x 4 1/4" EMBED	12' x 12' (PER CG2.22)	0 <math>S_{DS}</math> ≤ 1.15 (PER CG2.22)	W3 + 3 1/4" MIN PER GX1.20
3/8 x 2" EMBED <sup>3</sup>	8' x 8' (PER CG2.20) <sup>3</sup>	0.76 <math>S_{DS}</math> ≤ 1.14 (IN LIEU OF <math&gt;s_{ds}&lt; cg2.20)<sup="" math&gt;="" on="" shown="">3</math&gt;s_{ds}&lt;>	W3 + 3 1/4" MIN PER GX1.20 OR B 1 1/2" + 2 1/4" MIN PER GX1.22
3/8 x 2" EMBED <sup>3</sup>	8' x 12' (PER CG2.21) <sup>3</sup>	0.51 <math>S_{DS}</math> ≤ 0.76 (IN LIEU OF <math&gt;s_{ds}&lt; cg2.21)<sup="" math&gt;="" on="" shown="">3</math&gt;s_{ds}&lt;>	W3 + 3 1/4" MIN PER GX1.20 OR B 1 1/2" + 2 1/4" MIN PER GX1.22
3/8 x 2" EMBED <sup>3</sup>	12' x 12' (PER CG2.22) <sup>3</sup>	0 <math>S_{DS}</math> ≤ 0.51 (IN LIEU OF <math&gt;s_{ds}&lt; cg2.22)<sup="" math&gt;="" on="" shown="">3</math&gt;s_{ds}&lt;>	W3 + 3 1/4" MIN PER GX1.20 OR B 1 1/2" + 2 1/4" MIN PER GX1.22



**OPTION 2**

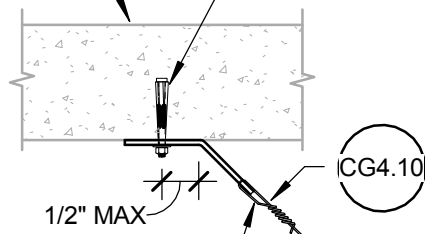
**NOTES:**

1. LOAD TEST IN ACCORDANCE WITH GENERAL NOTE 14(g), PAGE CG0.02 SHALL BE REQUIRED
2. REFER TO CG4.10 FOR ADDITIONAL DETAILS
3. RDP CAN USE SMALLER EXPANSION BOLT SIZE AND SHALLOWER EMBEDMENT DEPTH SHOWN, PROVIDED VERTICAL STRUT/BRACING WIRE SPACING IS REDUCED AS SHOWN, IN LIEU OF SPACINGS SHOWN ON CG2.20, CG2.21, AND CG2.22.

Section Title : OSHPD STANDARD GYPSUM BOARD CEILING DETAILS		OPD No:
Sheet Title : BRACING WIRE - CONCRETE OVER METAL DECK		<b>CG4.31</b>

LIGHTWEIGHT OR NORMAL WEIGHT CONCRETE SLAB. DO NOT CONNECT BRACING WIRE TO JOIST OR BEAM.

PER EXPANSION ANCHOR SCHEDULE



1 1/2" x 1 1/2" x 12 GA x 2" CEILING CLIP

CG4.10

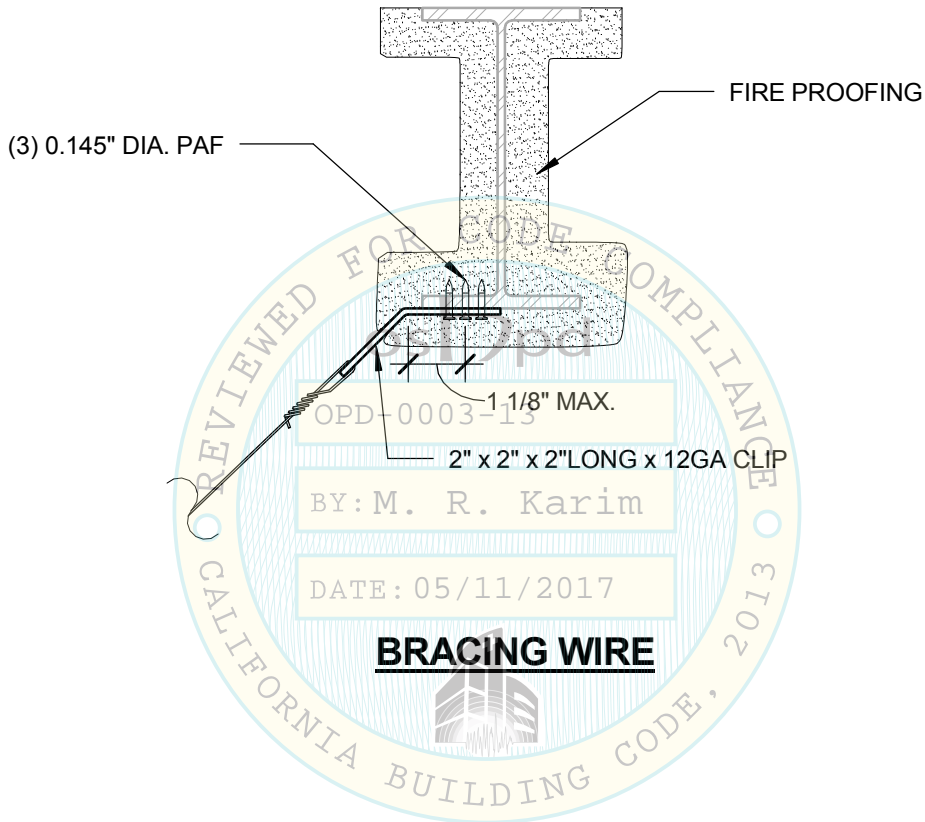
1/2" MAX

ANCHOR BOLT SIZE	SPLAY BRACE/COMP POST SPACING	SDS (g) RANGE (z/h = 1.0)
5/8 x 4 1/4" EMBED	8' x 8' (PER CG2.20)	1.73 < S <sub>DS</sub> ≤ 2.5 (PER CG2.20)
5/8 x 4 1/4" EMBED	8' x 12' (PER CG2.21)	1.15 < S <sub>DS</sub> ≤ 1.73 (PER CG2.21)
5/8 x 4 1/4" EMBED	12' x 12' (PER CG2.22)	0 < S <sub>DS</sub> ≤ 1.15 (PER CG2.22)
3/8 x 2" EMBED <sup>3</sup>	8' x 8' (PER CG2.20) <sup>3</sup>	1.24 < S <sub>DS</sub> ≤ 1.86 (IN LIEU OF S <sub>DS</sub> SHOWN ON CG2.20) <sup>3</sup>
3/8 x 2" EMBED <sup>3</sup>	8' x 12' (PER CG2.21) <sup>3</sup>	0.83 < S <sub>DS</sub> ≤ 1.24 (IN LIEU OF S <sub>DS</sub> SHOWN ON CG2.21) <sup>3</sup>
3/8 x 2" EMBED <sup>3</sup>	12' x 12' (PER CG2.22) <sup>3</sup>	0 < S <sub>DS</sub> ≤ 0.83 (IN LIEU OF S <sub>DS</sub> SHOWN ON CG2.22) <sup>3</sup>

**NOTES:**

1. LOAD TEST IN ACCORDANCE WITH GENERAL NOTE 14(g), PAGE CG0.02 SHALL BE REQUIRED.
2. REFER TO CG4.10 FOR ADDITIONAL DETAILS.
3. RDP CAN USE SMALLER EXPANSION BOLT SIZE AND SHALLOWER EMBEDMENT DEPTH SHOWN, PROVIDED VERTICAL STRUT/BRACING WIRE SPACING IS REDUCED AS SHOWN, IN LIEU OF SPACING SHOWN IN CG2.20, CG2.21 AND CG2.22.

Section Title : OSHPD STANDARD GYPSUM BOARD CEILING DETAILS	OPD No:
Sheet Title : BRACING WIRE - CONCRETE SLAB, BEAM, OR JOIST	<b>CG4.32</b>



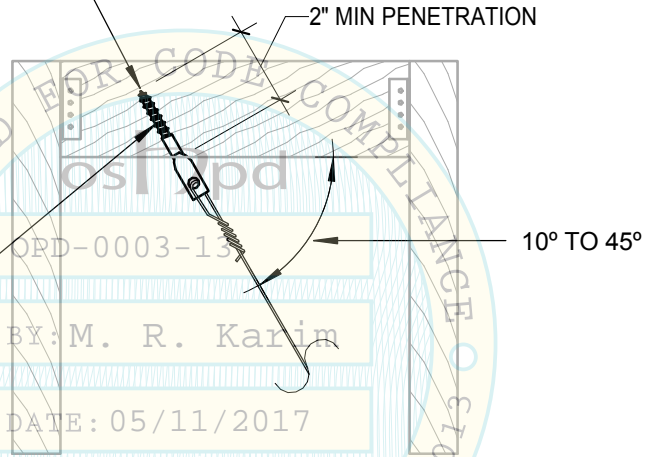
**NOTES :**

1. BEAM FLANGE THICKNESS SHALL NOT BE LESS THAN 3/16" OR MORE THAN 3/8"
2. FRAMING MEMBERS SHALL BE DESIGNED TO CARRY THE CEILING LOADS, RDP TO VERIFY
3. RDP IN RESPONSIBLE CHARGE, I.O.R. AND CONTRACTOR SHALL VERIFY THAT NO PAF IS INSTALLED IN THE PROTECTED ZONE OF ANY STEEL MEMBER, SEE ANSI/AISC 341-10.

Section Title : OSHPD STANDARD GYPSUM BOARD CEILING DETAILS		OPD No:  <b>CG4.33</b>
Sheet Title : <b>BRACING WIRE - STRUCTURAL STEEL</b>		

3x BLOCKING FASTEN TO  
JOIST W/1 1/2"x1 1/2"x18GA CLIP  
AND (4)8d x 1 1/2" NAILS EACH  
SIDE AND EACH END.

1/2" DIA. EYE SCREW  
W/ 2" MIN.  
PENETRATION AT  
ANGLE OF WIRE.

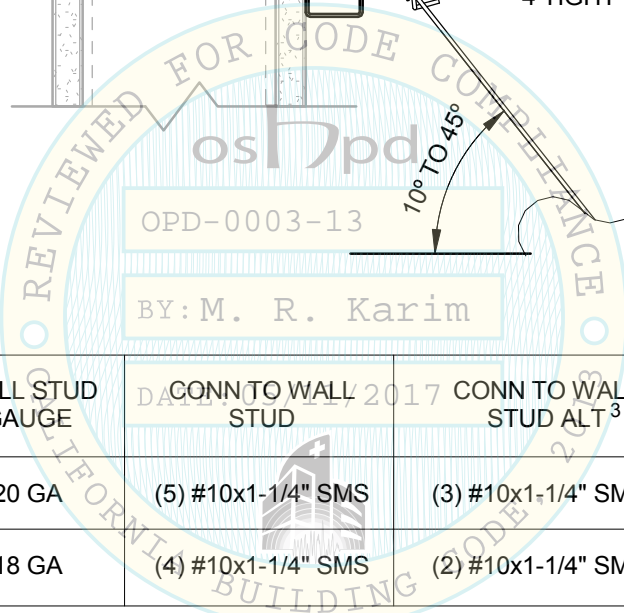
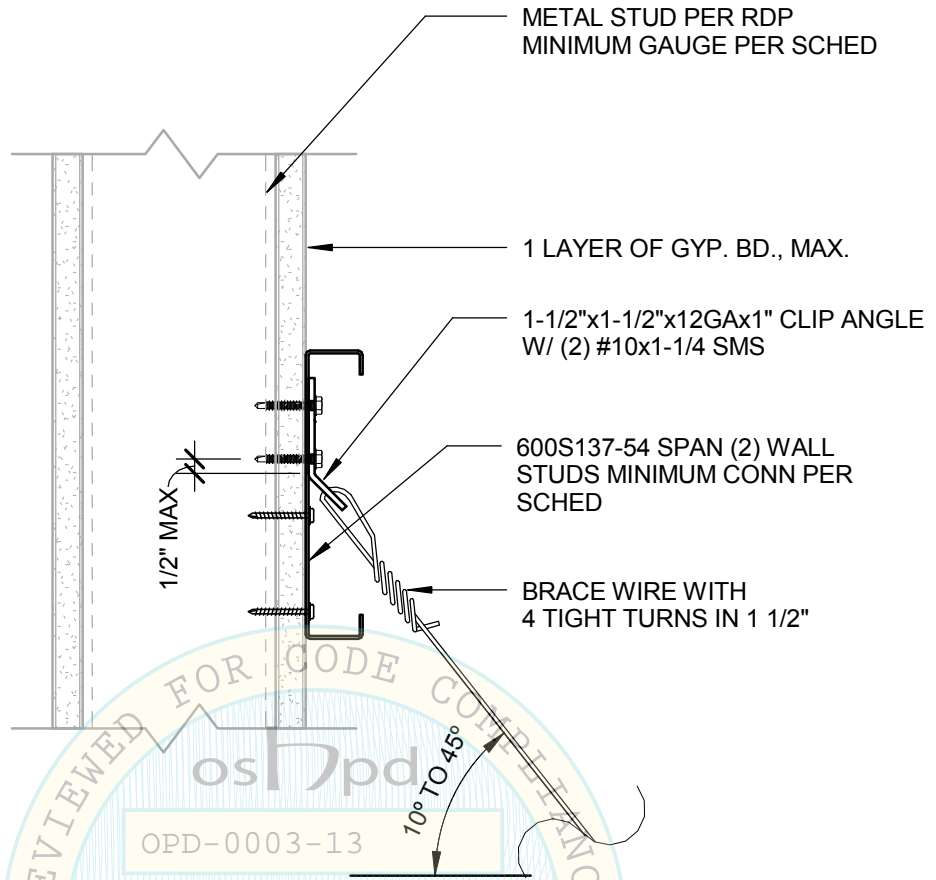


**BRACING WIRE**

**NOTES:**

1. FRAMING MEMBERS SHALL BE DESIGNED TO CARRY THE CEILING LOADS, RDP TO VERIFY
2. RDP SHALL VERIFY THAT SCREWS AT THE BOTTOM FLANGE OF TRUSS IS ACCEPTABLE

Section Title : OSHPD STANDARD GYPSUM BOARD CEILING DETAILS		OPD No:
Sheet Title : <b>BRACING WIRE - SAWN TIMBER</b>		<b>CG4.34</b>



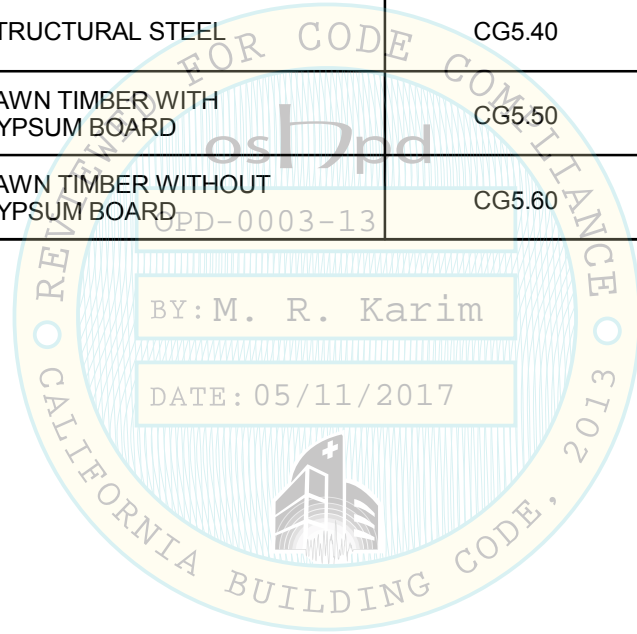
WALL STUD GAUGE	CONN TO WALL STUD	CONN TO WALL STUD ALT <sup>3</sup>
20 GA	(5) #10x1-1/4" SMS	(3) #10x1-1/4" SMS
18 GA	(4) #10x1-1/4" SMS	(2) #10x1-1/4" SMS

**NOTES:**

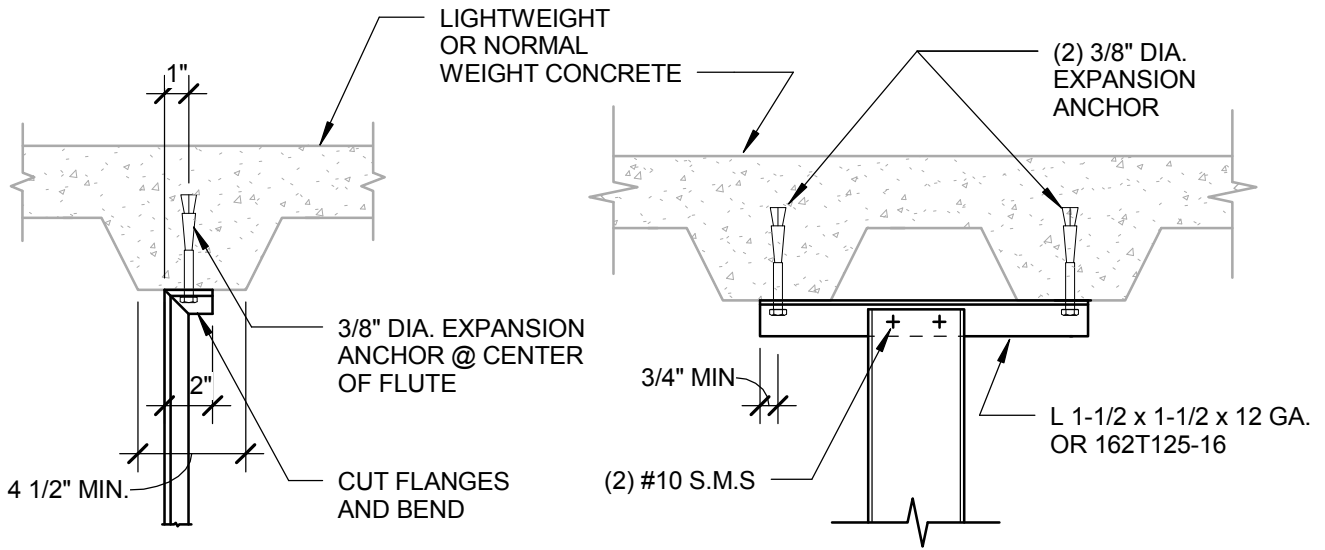
1. RDP SHALL DESIGN FRAMING WALL TO CARRY THE CEILING LOAD PER NOTE #2.
2. SEISMIC BRACE WIRE FORCE = 473 LBS (LRFD LOAD). BRACING WIRE SHALL HAVE A MINIMUM STRETCH LENGTH (CLR LENGTH BTWN TURNS) OF 12", WHEN USED AT FREE JOINT.
3. APPLIES WHERE CLIP ATTACHED DIRECTLY TO WALL STUD.

Section Title : OSHPD STANDARD GYPSUM BOARD CEILING DETAILS		OPD No:
Sheet Title : BRACING WIRE - METAL STUD WALL		<b>CG4.35</b>

STRUCTURAL CONDITION OF FLOOR / ROOF ABOVE STRUT	APPLICABLE DETAIL
CONCRETE OVER METAL DECK	CG5.20
CONCRETE SLAB, BEAM, OR JOIST	CG5.30
STRUCTURAL STEEL	CG5.40
SAWN TIMBER WITH GYPSUM BOARD	CG5.50
SAWN TIMBER WITHOUT GYPSUM BOARD	CG5.60



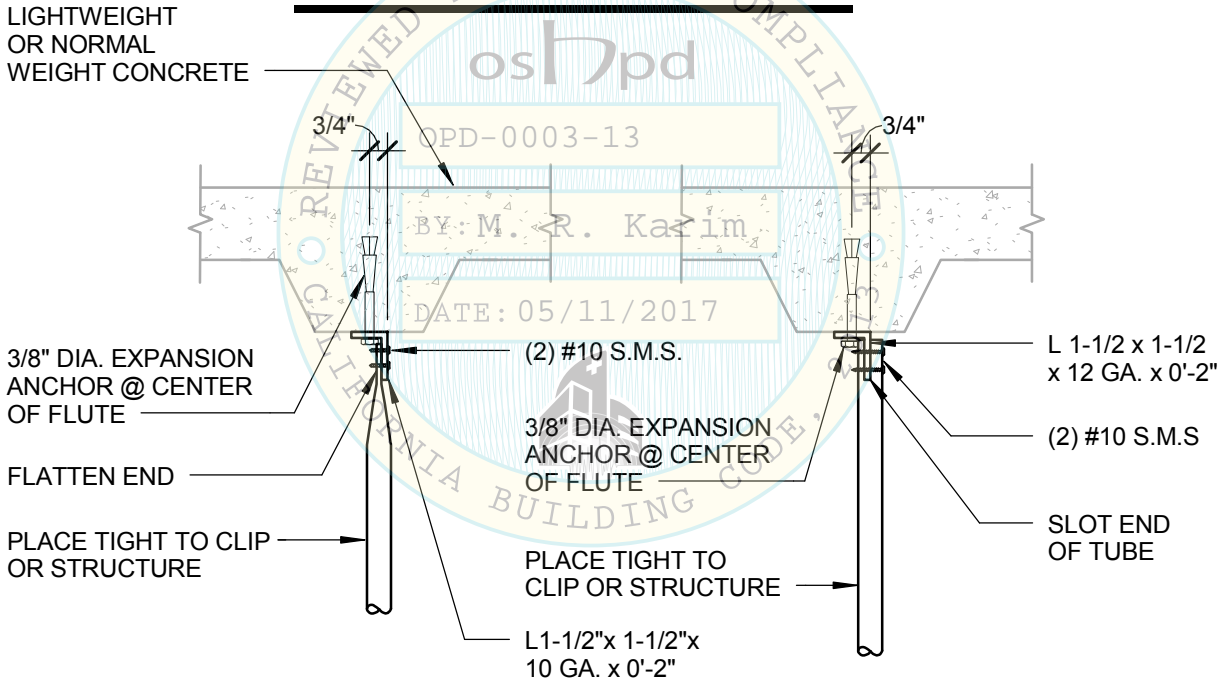
Section Title : OSHPD STANDARD GYPSUM BOARD CEILING DETAILS		OPD No:  <b>CG5.10</b>
Sheet Title : STRUT CONNECTION MATRIX		



**OPTION 1**

**OPTION 2**

# **CHANNEL STRUT**



**OPTION 1**

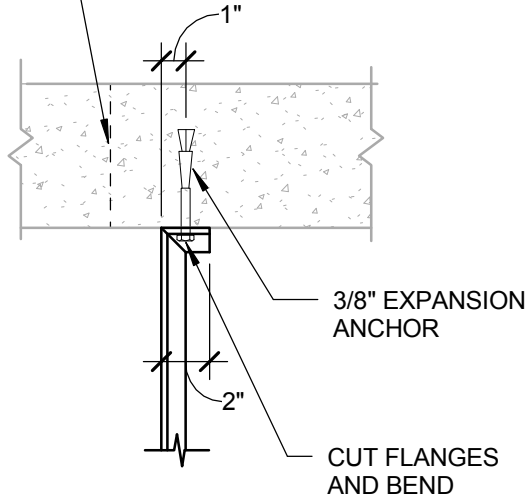
**OPTION 2**

# **TUBE STRUT**

Section Title : OSHPD STANDARD GYPSUM BOARD CEILING DETAILS		OPD No:
Sheet Title : STRUT CONNECTION TO CONCRETE OVER METAL DECK		<b>CG5.20</b>



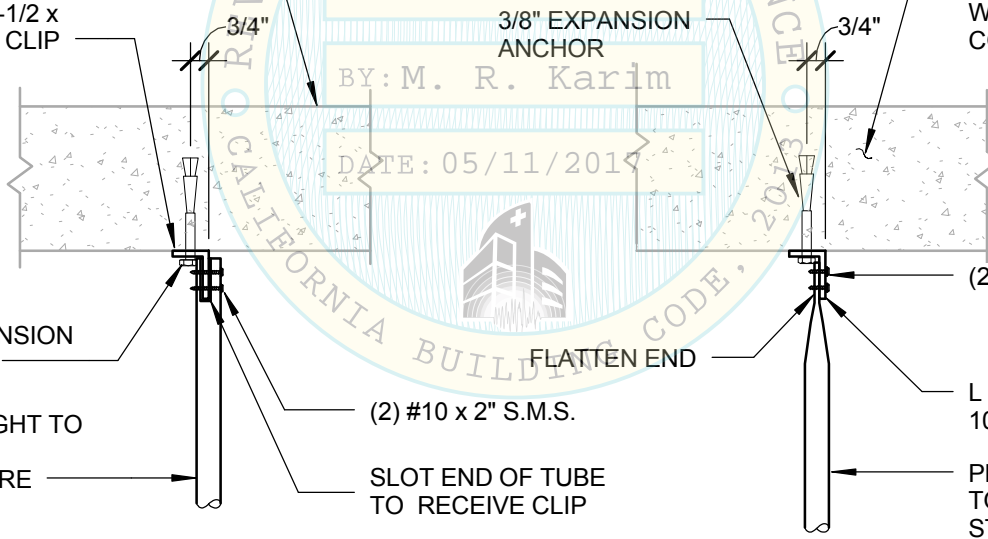
FACE OF BEAM OR JOIST WHERE OCCUR, TYPICAL



# CHANNEL STRUT

LIGHTWEIGHT OR NORMAL WEIGHT CONCRETE, TYP.

L 1-1/2 x 1-1/2 x 12GA. x 2" CLIP



LIGHTWEIGHT OR NORMAL WEIGHT CONCRETE, TYP.

3/8" EXPANSION ANCHOR

PLACE TIGHT TO CLIP OR STRUCTURE

(2) #10 x 2" S.M.S.

SLOT END OF TUBE TO RECEIVE CLIP

FLATTEN END

(2) #10 S.M.S.

L 1-1/2" x 1-1/2" x 10GA. x 2" CLIP

PLACE TIGHT TO CLIP OR STRUCTURE

**OPTION 1**

**OPTION 2**

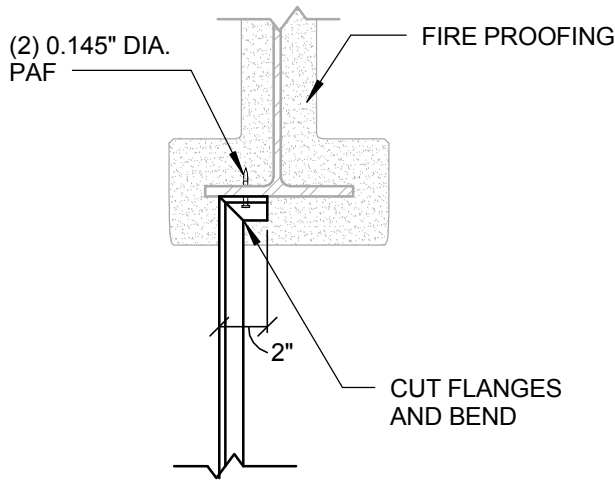
# TUBE STRUT

Section Title : OSHPD STANDARD GYPSUM BOARD CEILING DETAILS

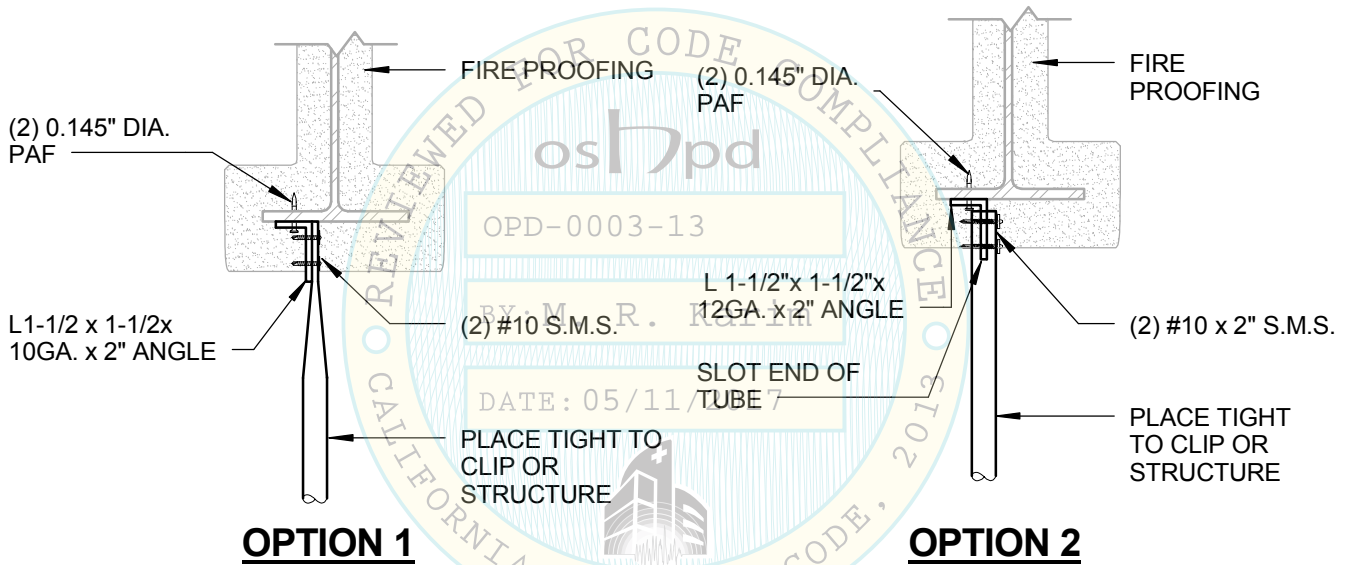
OPD No:

Sheet Title : STRUT CONNECTION TO CONCRETE SLAB, BEAM OR JOIST

**CG5.30**



# CHANNEL STRUT

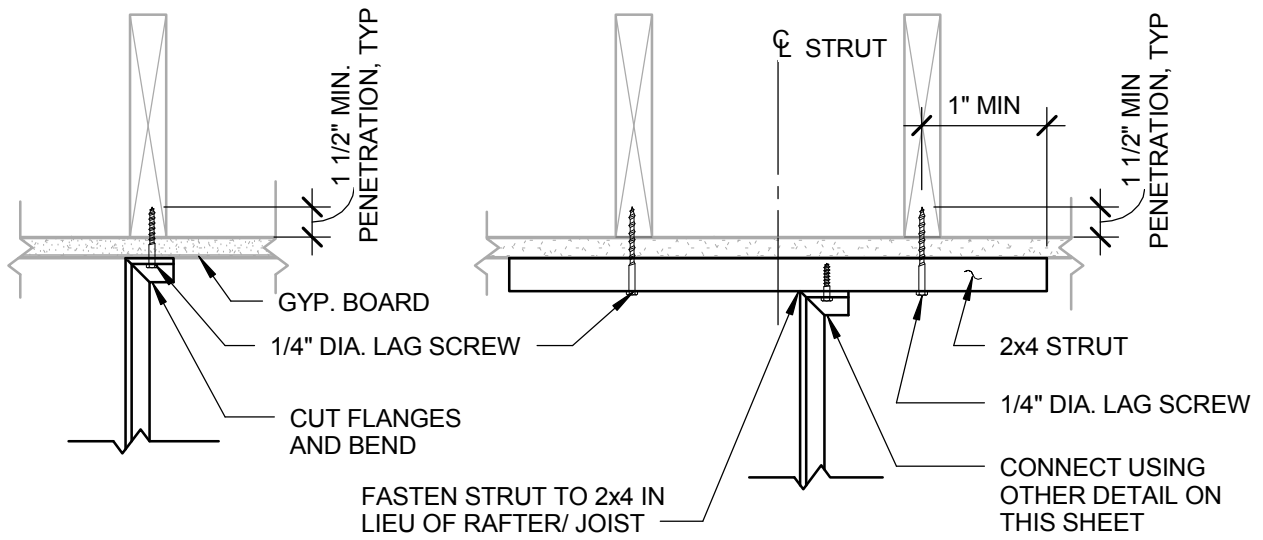


# TUBE STRUT

**NOTES:**

1. STRUCTURAL STEEL MEMBER SHALL HAVE A MINIMUM FLANGE THICKNESS OF 3/16" AND MAXIMUM OF 3/8".
2. FRAMING MEMBERS MUST BE DESIGNED TO CARRY THE CEILING LOADS, RDP TO VERIFY.
3. RDP IN RESPONSIBLE CHARGE, I.O.R. AND CONTRACTOR SHALL VERIFY THAT NO PAF IS INSTALLED IN THE PROTECTED ZONE OF ANY STEEL MEMBER, SEE ANSI/AISC 341-10.
4. SEE PAGES CG5.20 & CG5.30 FOR ADDITIONAL INFORMATION.

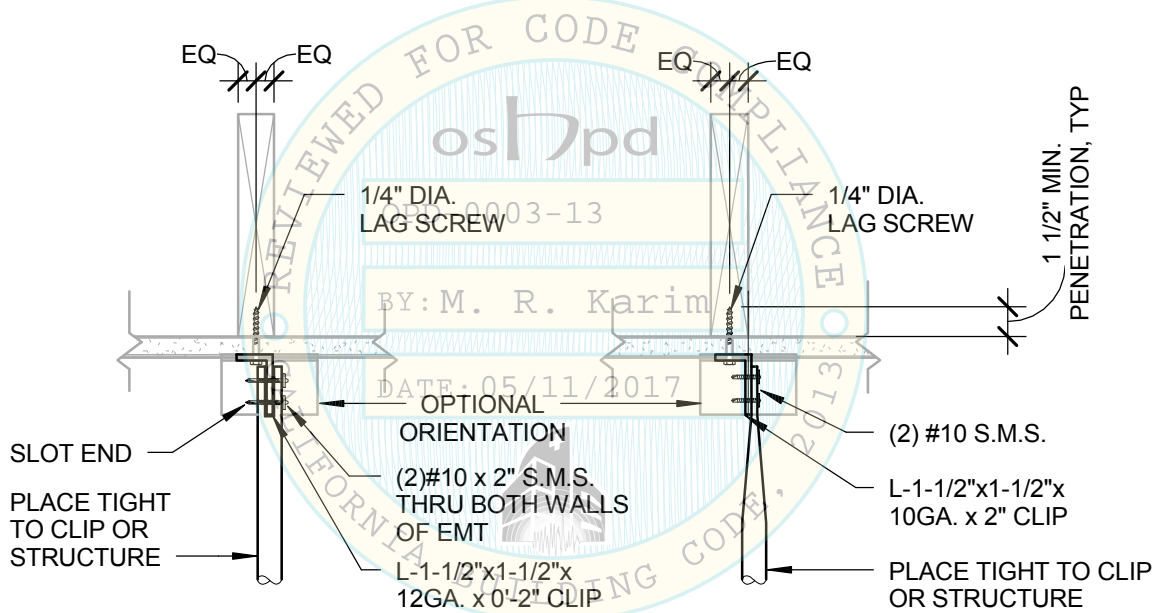
Section Title : OSHPD STANDARD GYPSUM BOARD CEILING DETAILS		OPD No:
Sheet Title : STRUT CONNECTION TO STRUCTURAL STEEL		<b>CG5.40</b>



**OPTION 1**

**OPTION 2**

**CHANNEL STRUT**



**OPTION 1**

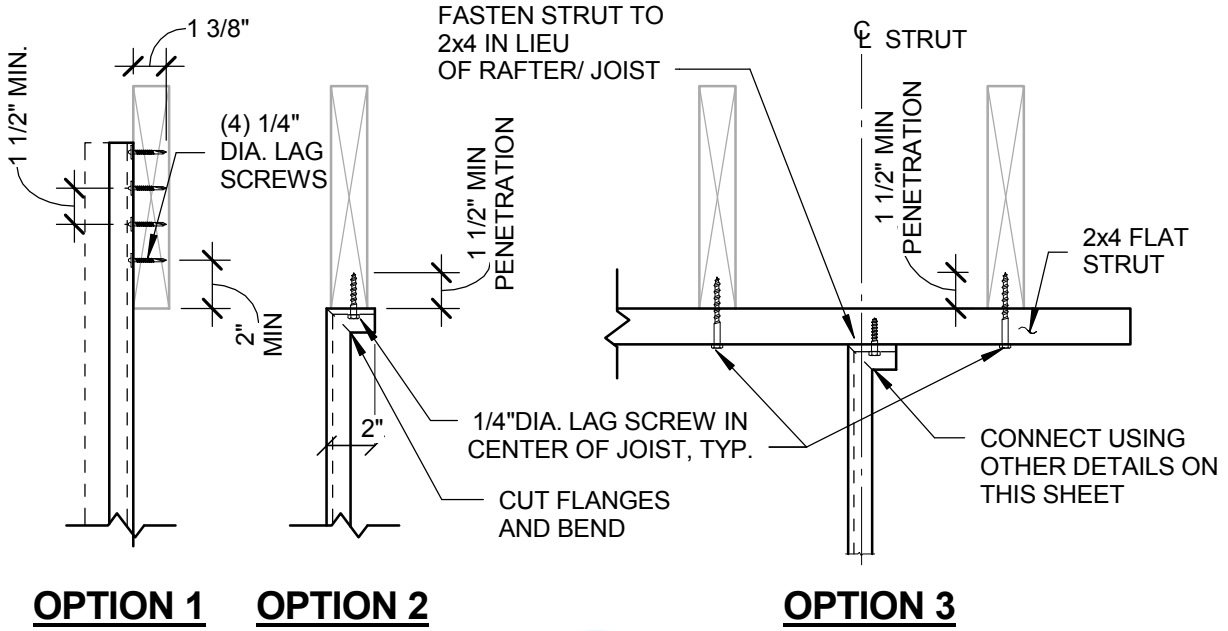
**OPTION 2**

**TUBE STRUT**

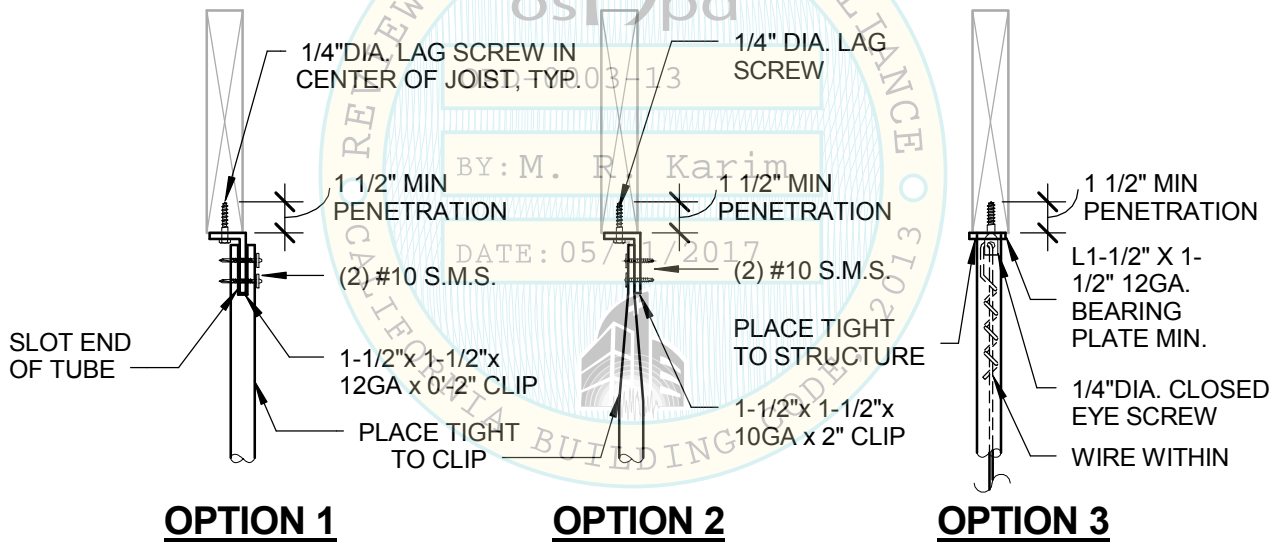
**NOTES:**

1. FRAMING MEMBERS MUST BE DESIGNED TO CARRY THE CEILING LOADS, RDP TO VERIFY.
2. RDP SHALL VERIFY THAT SCREWS AT THE BOTTOM FLANGE OF TRUSS IS ACCEPTABLE
3. SEE PAGES CG5.20 & CG5.30 FOR ADDITIONAL INFORMATION

Section Title : OSHPD STANDARD GYPSUM BOARD CEILING DETAILS		OPD No:
Sheet Title : STRUT CONNECTION TO SAWN TIMBER WITH GYPSUM BOARD		<b>CG5.50</b>



**CHANNEL STRUT**



**TUBE STRUT**

**NOTES:**

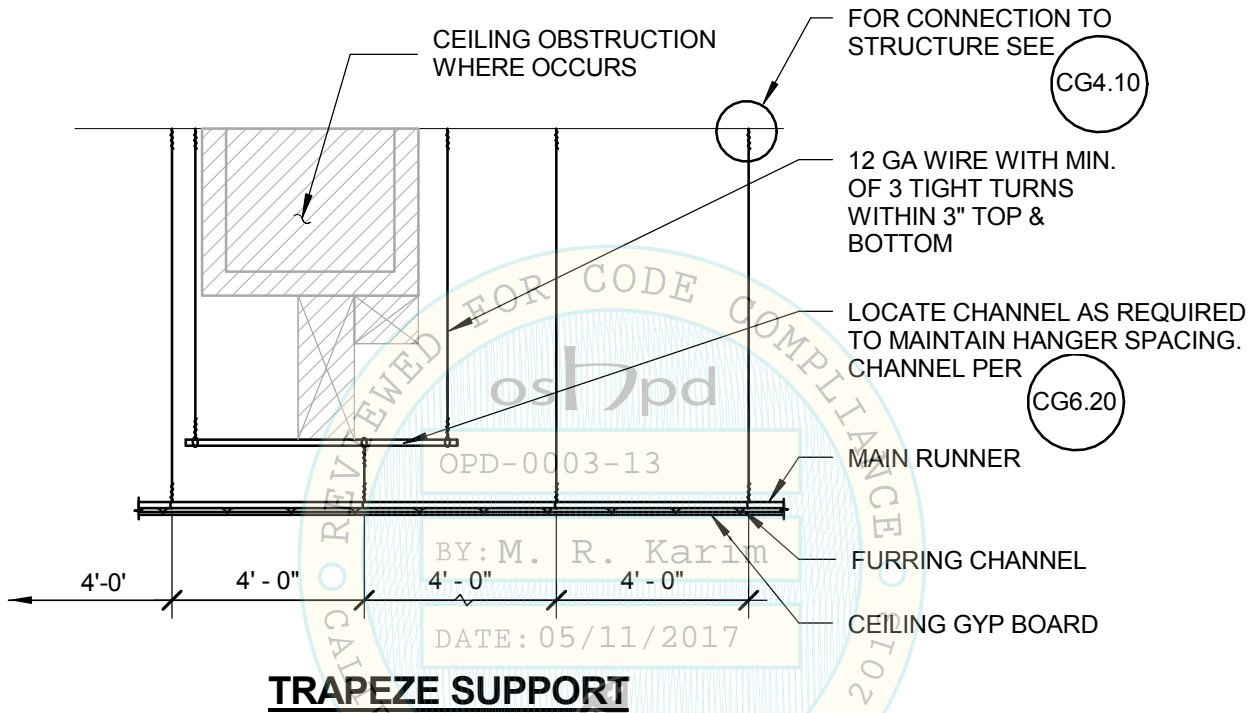
1. FRAMING MEMBERS MUST BE DESIGNED TO CARRY THE CEILING LOADS, RDP TO VERIFY.
2. RDP SHALL VERIFY THAT SCREWS AT THE BOTTOM FLANGE OF TRUSS IS ACCEPTABLE.
3. SEE PAGES CG5.20, CG5.30 & CG5.50 FOR ADDITIONAL INFORMATION.

Section Title : OSHPD STANDARD GYPSUM BOARD CEILING DETAILS

OPD No:

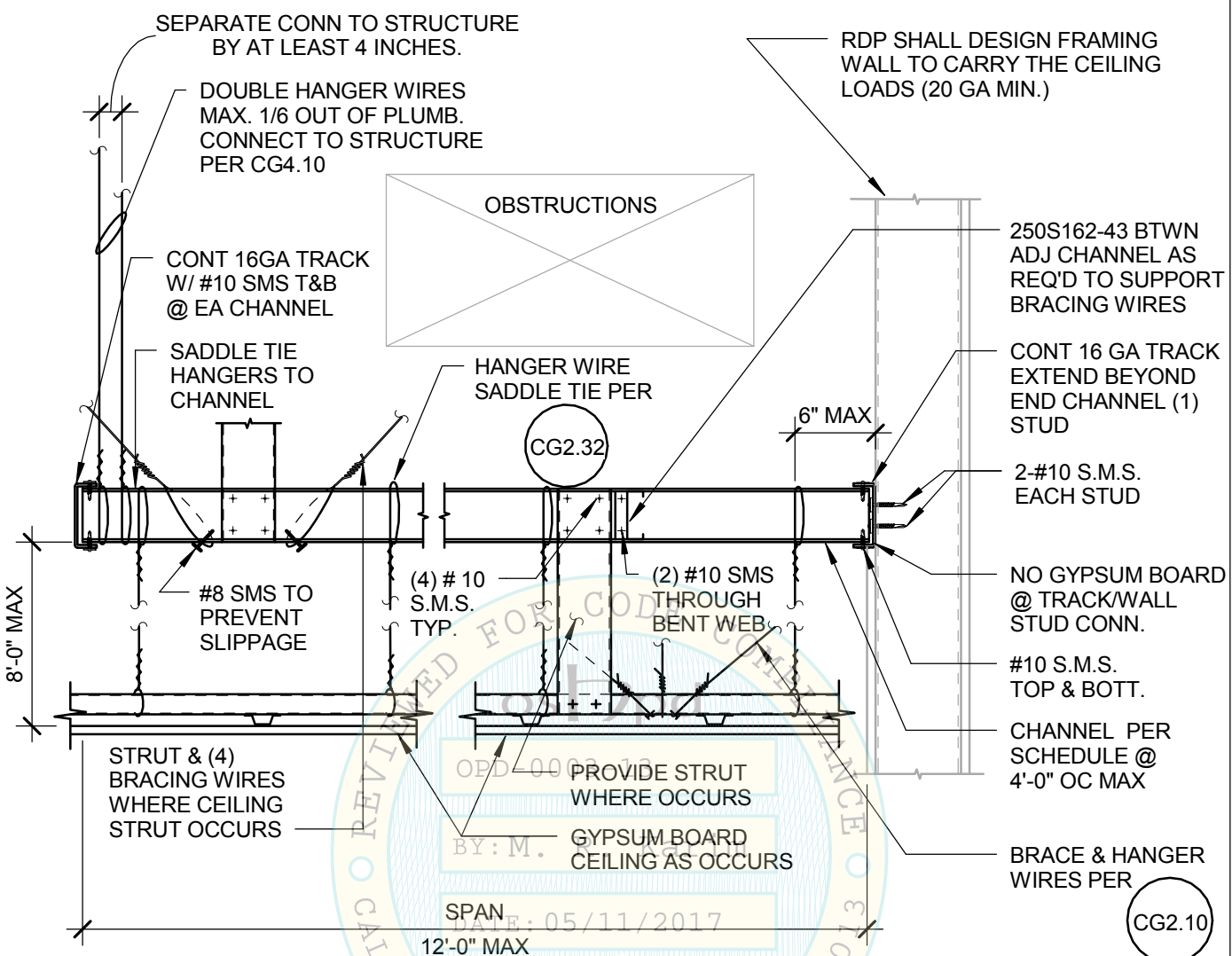
Sheet Title : CONNECTION TO SAWN TIMBER WITHOUT GYPSUM BOARD

**CG5.60**

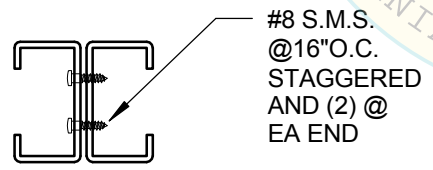


Section Title : OSHPD STANDARD GYPSUM BOARD CEILING DETAILS	OPD No:
Sheet Title : OBSTRUCTION - TRAPEZE CONDITION	CG6.10

5/19/2017 9:07:26 AM



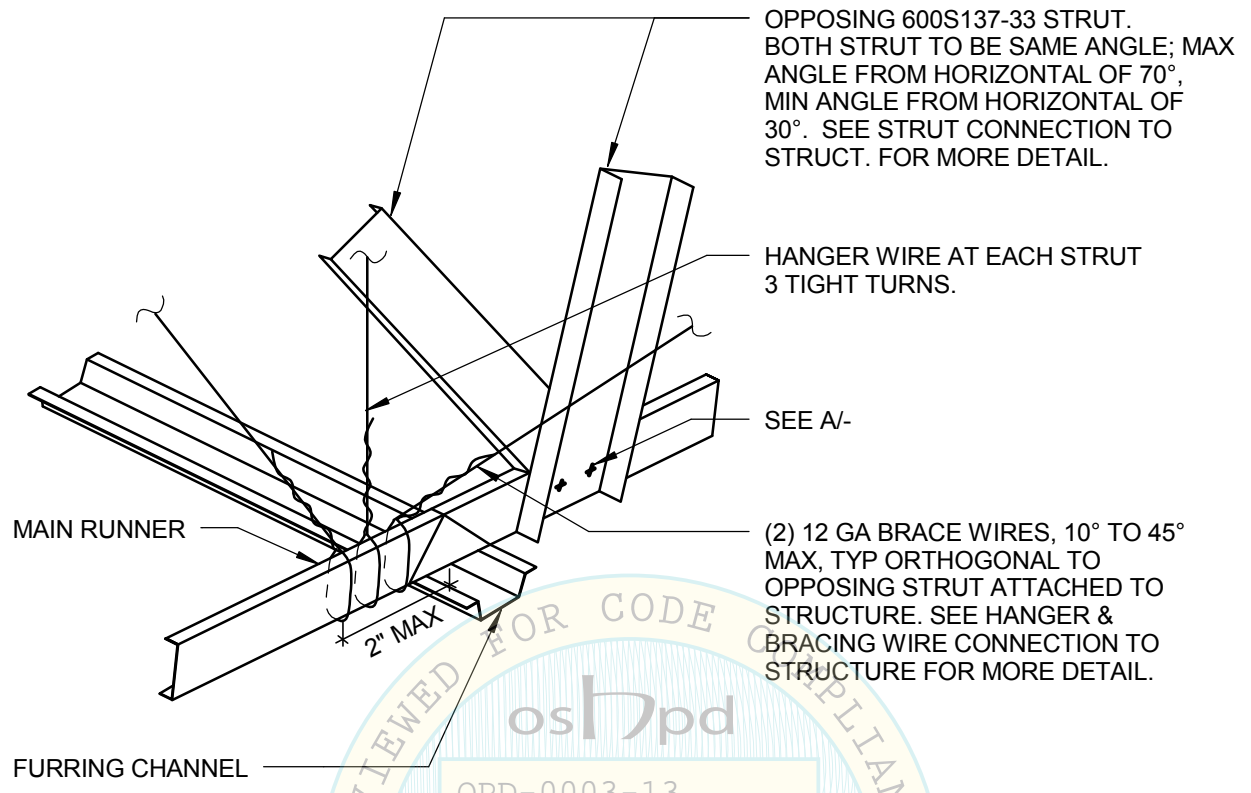
**WALL WHERE OCCURS**



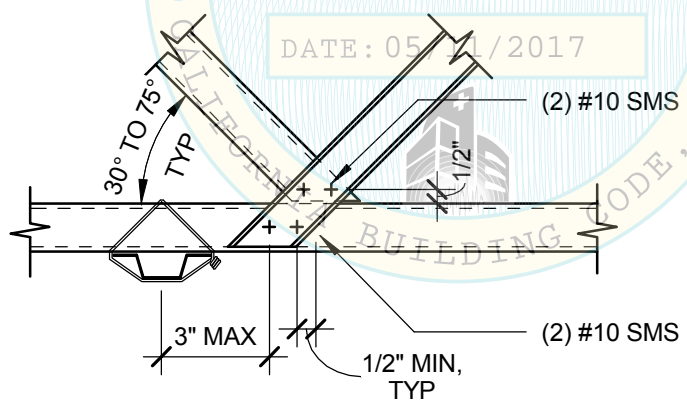
**DBL. SECTION**

SPAN	SECTION
4'-0"	250S162-43
8'-0"	400S162-54
12'-0"	(2) 400S162-54

Section Title : OSHPD STANDARD GYPSUM BOARD CEILING DETAILS		OPD No:
Sheet Title : OBSTRUCTION-BRIDGE AT LARGE OFFSET CONDITION		<b>CG6.20</b>

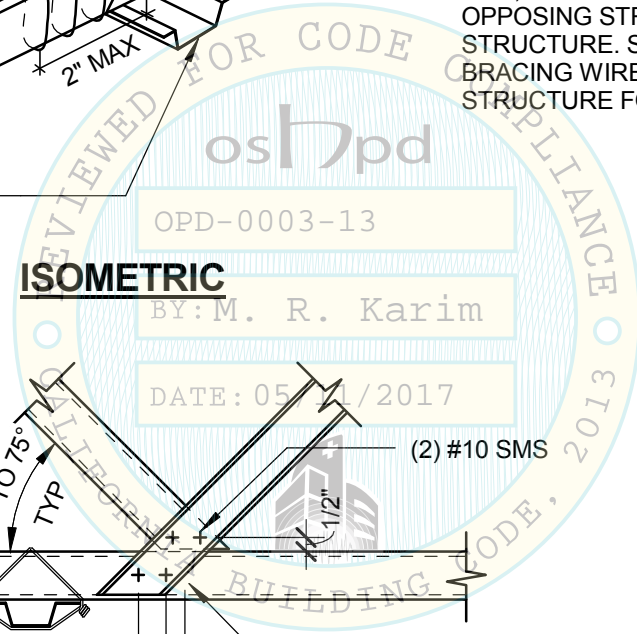


**ISOMETRIC**

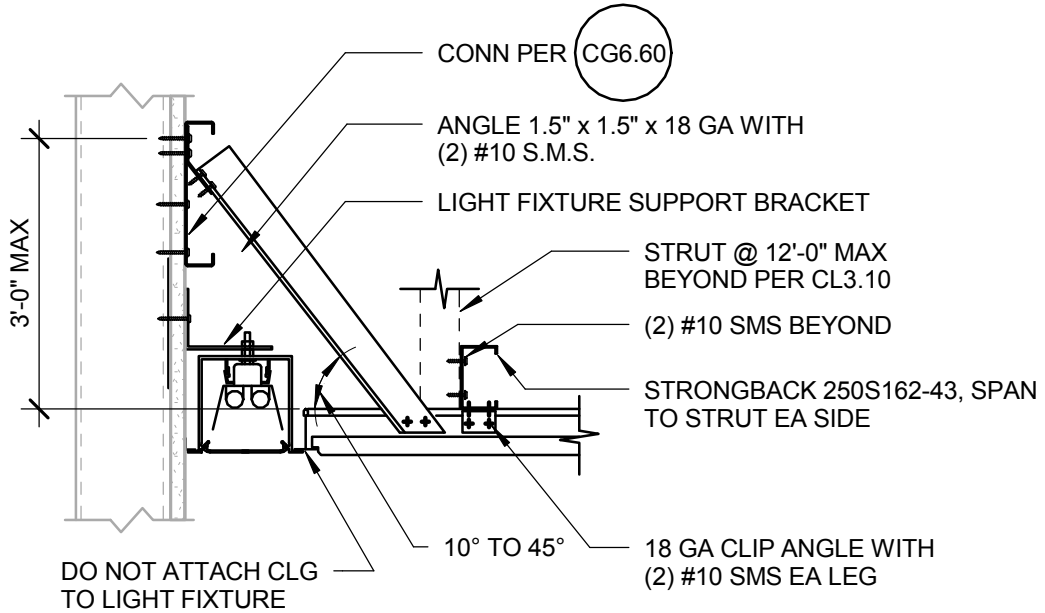


**A** **DETAIL**

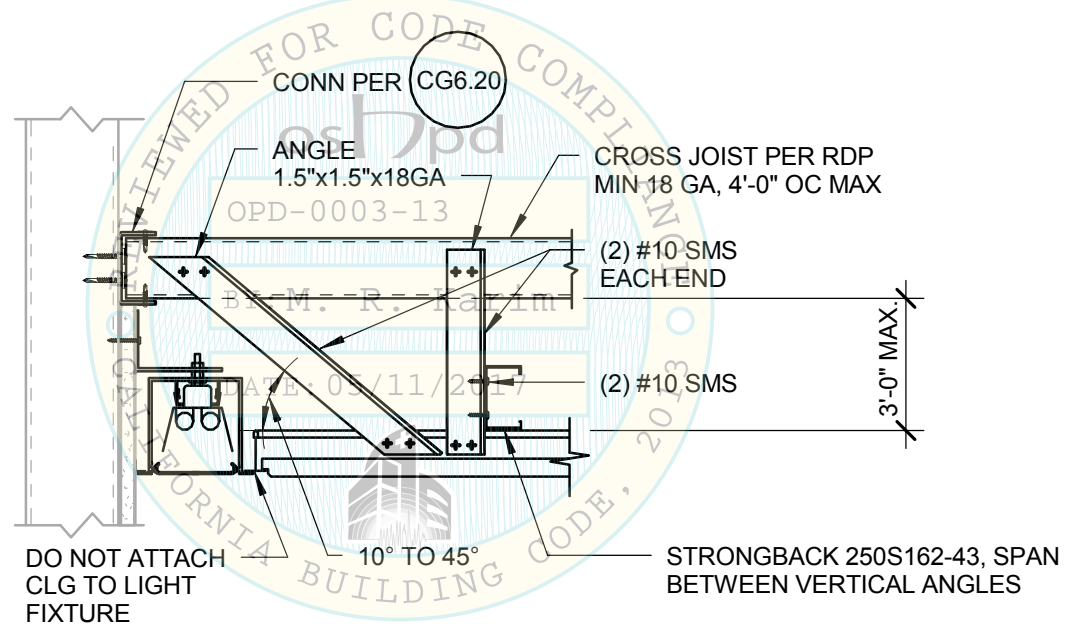
**OPPOSING STRUTS FOR GYPSUM BOARD CEILING**



Section Title : OSHPD STANDARD GYPSUM BOARD CEILING DETAILS	OPD No:
Sheet Title : OBSTRUCTION-COUNTER SLOPING STRUTS	CG6.30



**LOCATIONS WITHOUT CROSS JOISTS**



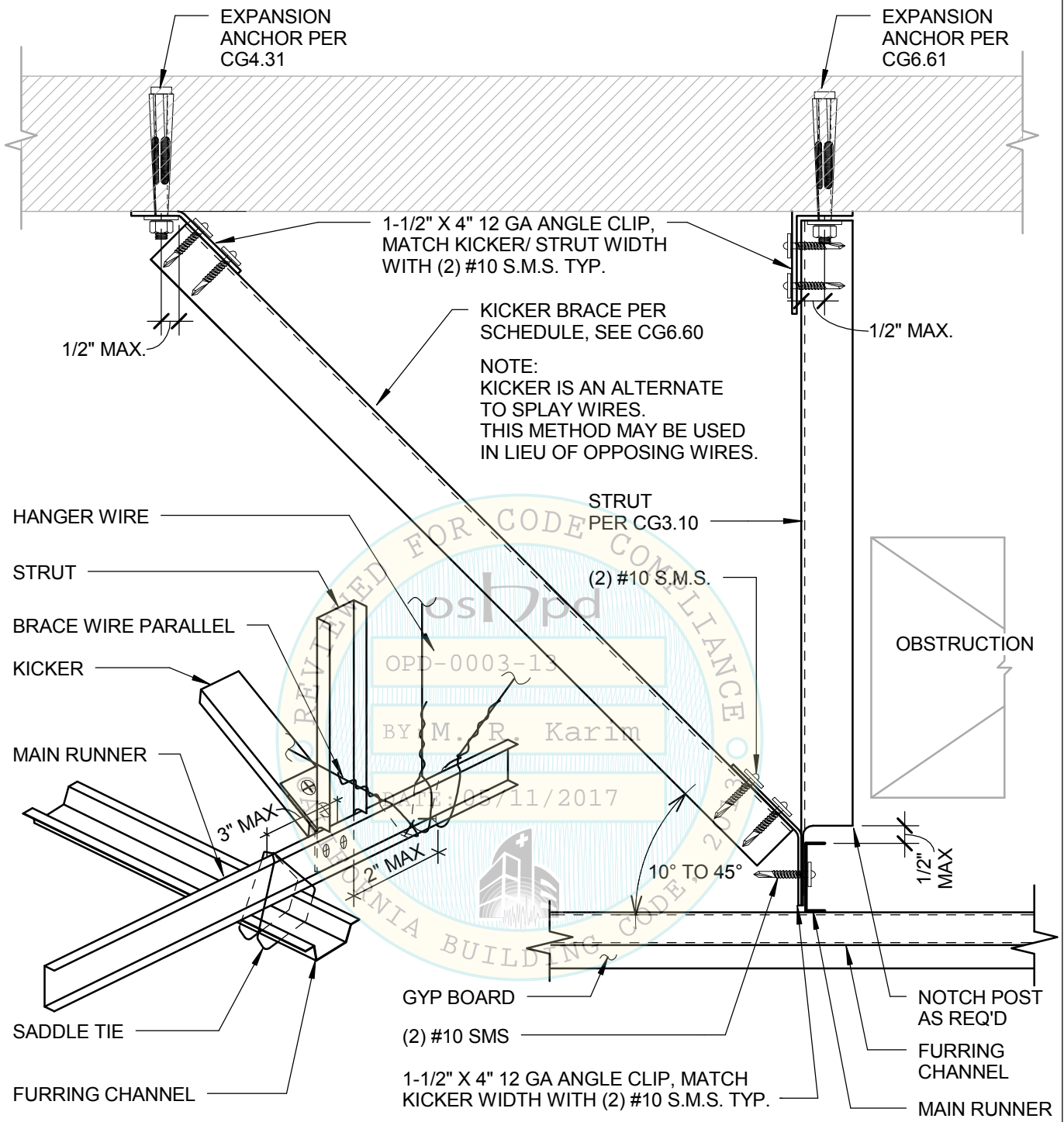
**LOCATIONS WITH CROSS JOISTS**

**NOTES:**

1. RDP SHALL VERIFY CROSS JOIST, STRONGBACK, STRUT, BRACE, AND SUPPORTING WALL.
2. DETAILS IN THIS PAGE ARE ONLY PERMITTED AT THE ATTACHED END OF THE CEILING AND ARE NOT PERMITTED AT THE FREE JOINT.
3. ALL BRACING AND HANGER WIRES PER CL3.10 REQUIRED.

Section Title : OSHPD STANDARD GYPSUM BOARD CEILING DETAILS	OPD No:
Sheet Title : OBSTRUCTION-RECESSED LIGHT AT PERIMETER	<b>CG6.40</b>



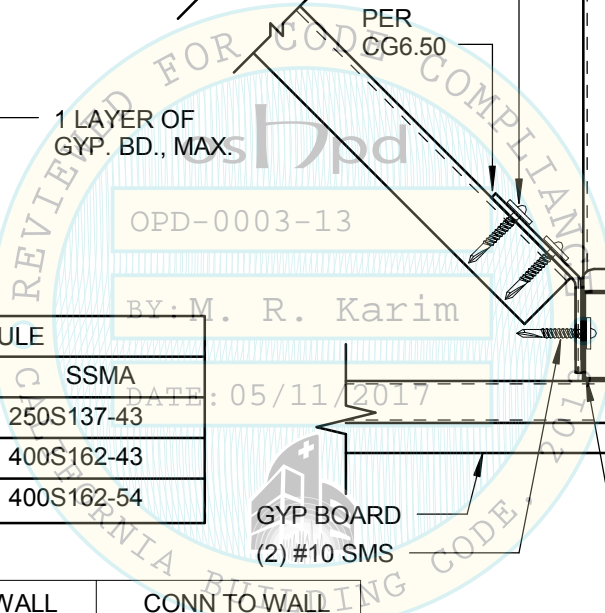
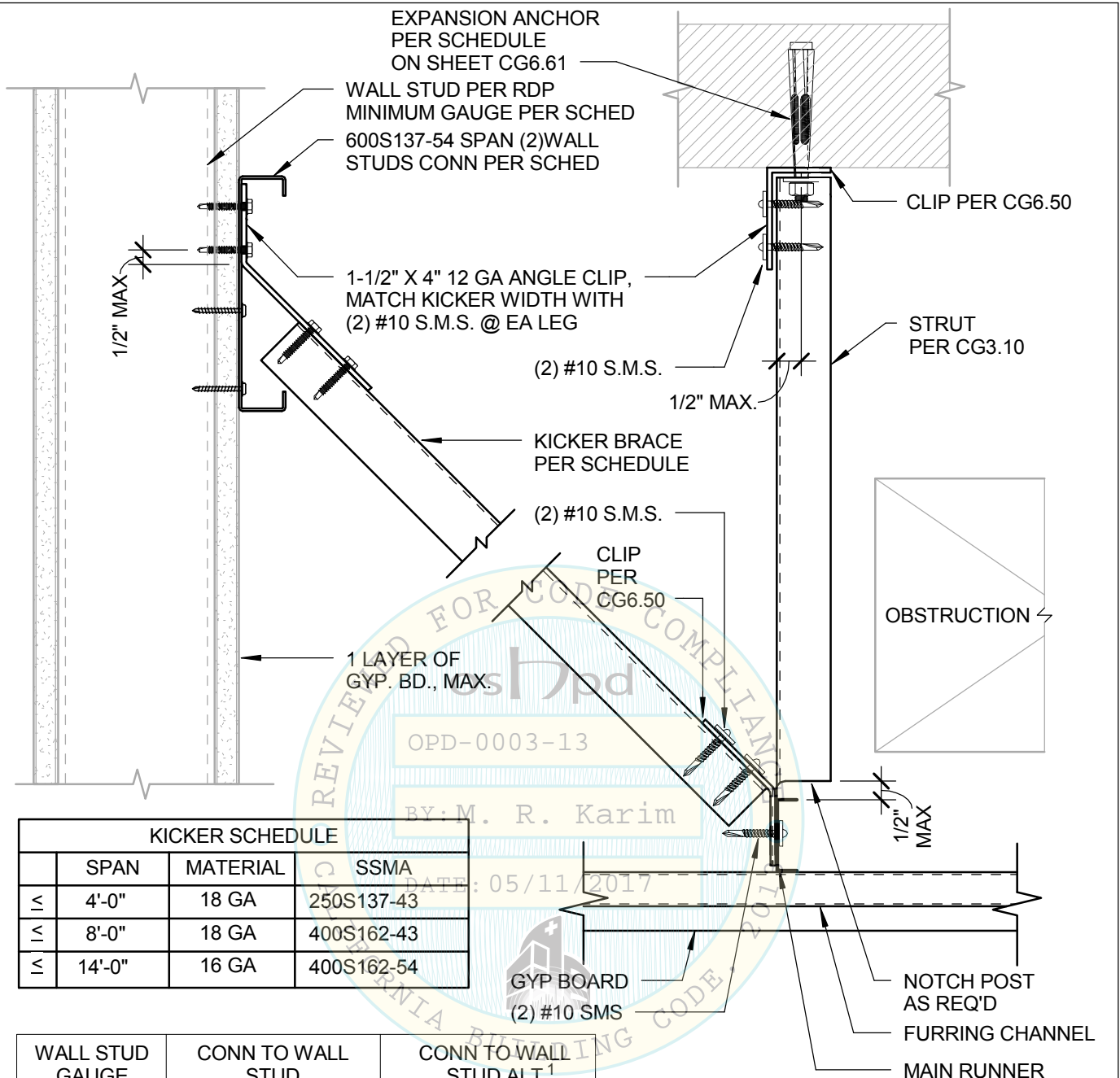


**ISOMETRIC VIEW**

**SIDE VIEW**

**SUSPENDED GYPBOARD CEILING - WIRE OBSTRUCTION  
DETAIL W/ STUD KICKER, LESS BRACING WIRES, TO DECK.**

Section Title : OSHPD STANDARD GYPSUM BOARD CEILING DETAILS		OPD No:
Sheet Title : OBSTRUCTION-STUD KICKER TO OVERHEAD		CG6.50



KICKER SCHEDULE			
	SPAN	MATERIAL	SSMA
≤	4'-0"	18 GA	250S137-43
≤	8'-0"	18 GA	400S162-43
≤	14'-0"	16 GA	400S162-54

WALL STUD GAUGE	CONN TO WALL STUD	CONN TO WALL STUD ALT <sup>1</sup>
20 GA	(5) #10x1-1/4" SMS	(3) #10x1-1/4" SMS
18 GA	(4) #10x1-1/4" SMS	(2) #10x1-1/4" SMS

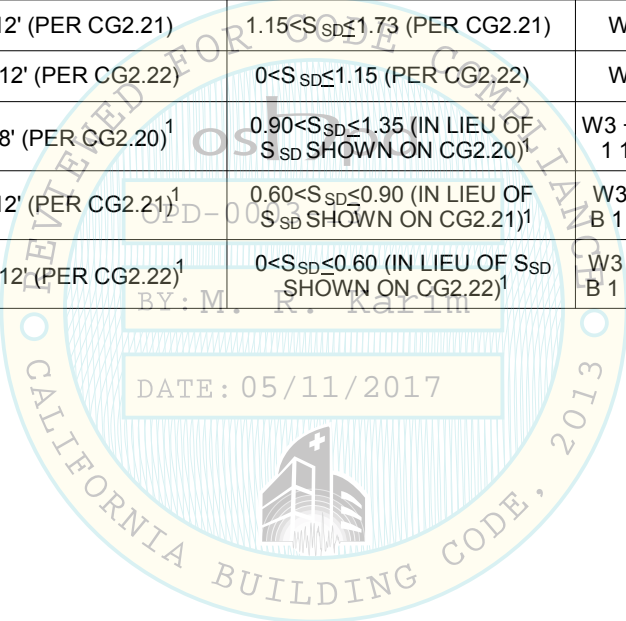
- NOTES:
1. KICKER BRACING IS AN ALTERNATE TO BRACING WIRES. THIS METHOD MAY BE USED IN LIEU OF OPPOSING WIRES AT ATTACHED JOINT ONLY. NOT PERMITTED AT FREE JOINT
  2. RDP SHALL DESIGN FRAMED WALLS TO CARRY THE CEILING LOADS
  3. APPLIES WHERE CLIP ATTACHED DIRECTLY TO WALL STUD.
  4. REFER TO CG6.50 FOR BALANCE OF INFO.

**SUSPENDED GYPBOARD CEILING - WIRE OBSTRUCTION DETAIL W/STUD KICKER, LESS BRACING WIRES, TO WALL**

**SIDE VIEW**

Section Title : OSHPD STANDARD GYPSUM BOARD CEILING DETAILS	OPD No:
Sheet Title : OBSTRUCTION-STUD KICKER TO WALL - PAGE 1 OF 2	CG6.60

ANCHOR BOLT SIZE	SPLAY BRACE/COMP POST SPACING	SDS (g) RANGE (z/h = 1.0)	DECK TYPE
5/8 x 4 1/4" EMBED	8' x 8' (PER CG2.20)	1.73 < S <sub>SD</sub> ≤ 2.5 (PER CG2.20)	W3 + 3 1/4" MIN PER GX1.20
5/8 x 4 1/4" EMBED	8' x 12' (PER CG2.21)	1.15 < S <sub>SD</sub> ≤ 1.73 (PER CG2.21)	W3 + 3 1/4" MIN PER GX1.20
5/8 x 4 1/4" EMBED	12' x 12' (PER CG2.22)	0 < S <sub>SD</sub> ≤ 1.15 (PER CG2.22)	W3 + 3 1/4" MIN PER GX1.20
3/8 x 2" EMBED <sup>1</sup>	8' x 8' (PER CG2.20) <sup>1</sup>	0.90 < S <sub>SD</sub> ≤ 1.35 (IN LIEU OF S <sub>SD</sub> SHOWN ON CG2.20) <sup>1</sup>	W3 + 3 1/4" MIN PER GX1.20 OR B 1 1/2" + 2 1/4" MIN PER GX1.22
3/8 x 2" EMBED <sup>1</sup>	8' x 12' (PER CG2.21) <sup>1</sup>	0.60 < S <sub>SD</sub> ≤ 0.90 (IN LIEU OF S <sub>SD</sub> SHOWN ON CG2.21) <sup>1</sup>	W3 + 3 1/4" MIN PER GX1.20 OR B 1 1/2" + 2 1/4" MIN PER GX1.22
3/8 x 2" EMBED <sup>1</sup>	12' x 12' (PER CG2.22) <sup>1</sup>	0 < S <sub>SD</sub> ≤ 0.60 (IN LIEU OF S <sub>SD</sub> SHOWN ON CG2.22) <sup>1</sup>	W3 + 3 1/4" MIN PER GX1.20 OR B 1 1/2" + 2 1/4" MIN PER GX1.22



**NOTE:**

1. RDP CAN USE SMALLER EXPANSION BOLT SIZE AND SHALLOWER EMBEDMENT DEPTH SHOWN, PROVIDED VERTICAL STRUT/BRACING WIRE SPACING IS REDUCED AS SHOWN, IN LIEU OF SPACINGS SHOWN ON CL2.20, CL2.21, AND CL2.22.

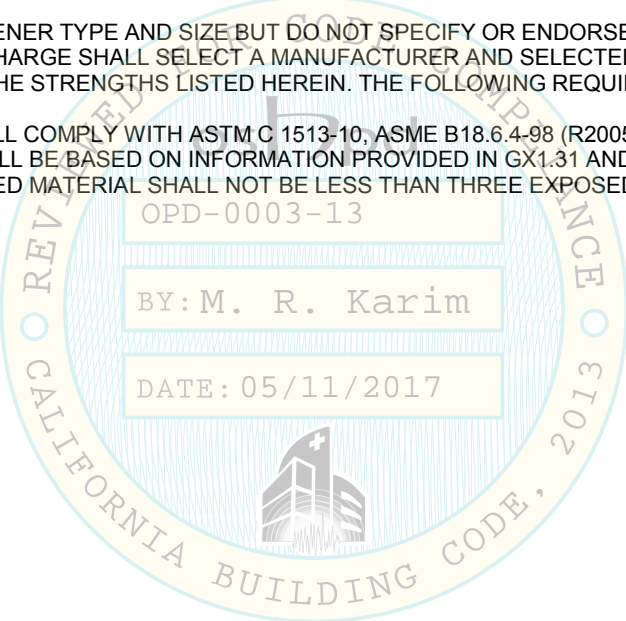
Section Title : OSHPD STANDARD SUSPENDED CEILING DETAILS		OPD No:
Sheet Title : <b>OBSTRUCTION-STUD KICKER TO WALL - PAGE 2 OF 2</b>		<b>CG6.61</b>

**SUSPENDED GYP BOARD CEILING  
GENERAL NOTES**

1. CONSTRUCTION, WORKMANSHIP AND MATERIAL SHALL CONFORM TO THE 2013 CALIFORNIA BUILDING STANDARDS CODE (CBSC 2013).
2. THE CONTRACTOR SHALL NOTIFY OSHPD AND THE REGISTERED DESIGN PROFESSIONAL (RDP) IN RESPONSIBLE CHARGE WHERE A CONFLICT OR DISCREPANCY OCCURS BETWEEN THE CONSTRUCTION DRAWINGS AND ANY OTHER PORTION OF THE CONSTRUCTION DOCUMENTS, FIELD CONDITIONS, OR WHERE ANY CONDITIONS ARISE NOT COVERED BY THESE DOCUMENTS WHEREIN WORK WILL NOT COMPLY WITH CODE REQUIREMENTS.
3. THE INTENT OF THE DRAWINGS AND SPECIFICATIONS IS TO CONSTRUCT THE HOSPITAL BUILDING IN ACCORDANCE WITH THE CALIFORNIA BUILDING STANDARD CODE, 2013 (CBSC 2013). SHOULD ANY CONDITION DEVELOP NOT COVERED BY THE APPROVED CONSTRUCTION DOCUMENTS WHEREIN THE WORK WILL NOT COMPLY WITH CBSC 2013, A CHANGE ORDER DETAILING AND SPECIFYING THE REQUIRED WORK SHALL BE SUBMITTED TO AND APPROVED BY OSHPD BEFORE PROCEEDING WITH THE WORK.
4. GALVANIZED METAL STUDS, TRACKS AND SHEET STEEL SHALL CONFORM TO ASTM A653-11 MATERIAL, OR OTHER EQUIVALENT ASTM LISTED MATERIALS IN SECTION A2.1 OF THE AISI S100-07/S2-10; NORTH AMERICAN SPECIFICATION FOR THE DESIGN OF COLD-FORMED STEEL STRUCTURAL MEMBERS WITH SUPPLEMENT 2, DATED 2010, WITH A MINIMUM YIELD STRENGTH OF 33 KSI FOR 43 MIL (18 GAGE) AND LIGHTER AND MINIMUM YIELD STRENGTH OF 50 KSI FOR HEAVIER GAGES.

METAL STUDS AND TRACKS SHALL BE OF SIZE, THICKNESS AND SECTION PROPERTIES SHOWN ON TABLES 1-1, 1-2 AND 1-3 OF THE AISI MANUAL, COLD-FORMED STEEL DESIGN, 2008 EDITION. THE RDP IN RESPONSIBLE CHARGE SHALL OBTAIN OSHPD APPROVAL FOR ANY SUBSTITUTIONS.

5. THESE OPD REFER TO FASTENER TYPE AND SIZE BUT DO NOT SPECIFY OR ENDORSE A SPECIFIC MANUFACTURER. THE RDP IN RESPONSIBLE CHARGE SHALL SELECT A MANUFACTURER AND SELECTED FASTENER CAPACITIES SHALL MATCH OR EXCEED THE STRENGTHS LISTED HEREIN. THE FOLLOWING REQUIREMENTS SHALL ALSO BE MET:  
  
SHEET METAL SCREWS SHALL COMPLY WITH ASTM C 1513-10, ASME B18.6.4-98 (R2005) AND ICC-ES AC 118 AND ALLOWABLE STRENGTH SHALL BE BASED ON INFORMATION PROVIDED IN GX1.31 AND GX1.32. PENETRATION OF SCREWS THROUGH JOINED MATERIAL SHALL NOT BE LESS THAN THREE EXPOSED THREADS.



Section Title : OSHPD STANDARD GYPSUM BOARD CEILING DETAILS		OPD No:  <b>CJ0.00</b>
Sheet Title : <b>JOISTED GYP BOARD CEILING GENERAL NOTES</b>		

6. DESIGN CRITERIA

- a. BUILDING CODE: 2013 CALIFORNIA BUILDING CODE (2013 CBC), ASCE 7-10, AND AISI S100-07/S2-10. FOR LOAD COMBINATIONS, ALLOWABLE STRESS DESIGN SHALL BE IN ACCORDANCE WITH 2013 CBC SECTION 1605A.3.1.
- b. FASTENER CAPACITIES TABLES WERE DEVELOPED BASED ON ICC REPORTS BY SEVERAL MANUFACTURERS.
- c. THE DESIGN ASSUMES THAT BUILDING ELEMENTS AND SUPPORTS, TO WHICH THE COMPONENTS ADDRESSED IN THIS DOCUMENT ARE ATTACHED, HAVE SUFFICIENT CAPACITY TO CARRY THE LOADS IMPOSED BY THE COMPONENTS IN COMBINATION WITH ALL OTHER LOADS. EVALUATION OF THE CAPACITY OF THESE SUPPORTING BUILDING ELEMENTS IS BEYOND THE SCOPE OF THE OPD. RDP SHALL DESIGN THE WALLS SUPPORTING JOISTED CEILING FOR GRAVITY AND SEISMIC FORCES FROM THE CEILING IN ADDITION TO OTHER WALL DESIGN LOADS.
- d. THIS OPD IS LIMITED TO CEILING ASSEMBLIES HAVING MAXIMUM DEAD WEIGHT OF 4 PSF, INCLUDING LIGHTING FIXTURES (LUMINERIES) AND MECHANICAL SERVICES, EACH WEIGHING LESS THAN 56 LBS AND ATTACHED TO CEILING FRAMING SYSTEM. HEAVIER SYSTEM AND THOSE SUPPORTING LATERAL FORCES FROM PARTITION WALLS ARE OUTSIDE THE SCOPE OF THIS OPD AND WILL REQUIRE PROJECT SPECIFIC DESIGN.

7. THE RDP IN RESPONSIBLE CHARGE SHALL VERIFY THE FIRE RESISTENCE AND ACOUSTICAL RATINGS FOR ALL CEILING ASSEMBLIES.

8. CEILING FIXTURES, TERMINALS, AND DEVICES:

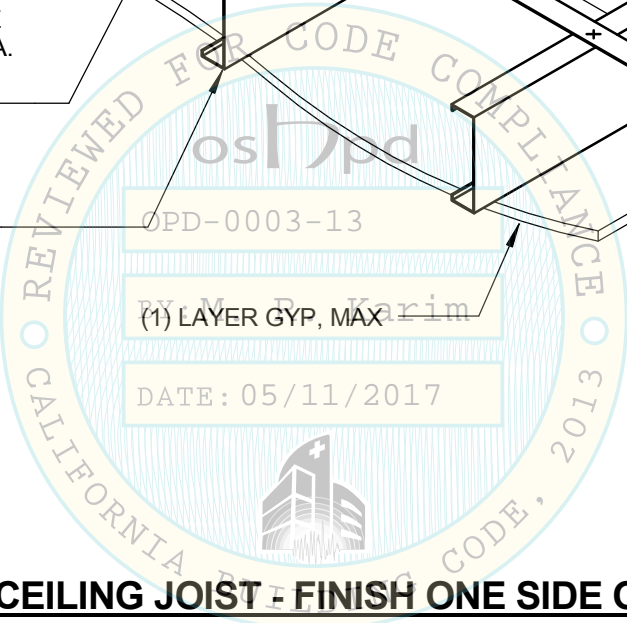
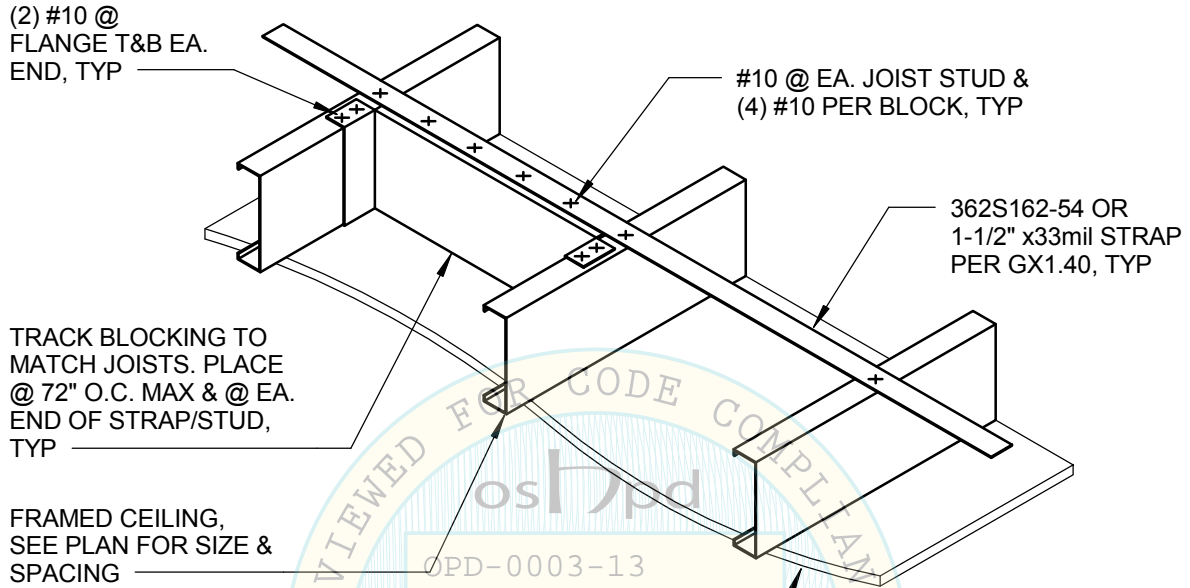
- a. ALL LIGHT FIXTURES, AIR TERMINALS/GRILLS, OR OTHER DEVICES (REFERRED TO ALL BY COMMON TERM FIXTURES HEREAFTER) SHALL BE MOUNTED IN A MANNER THAT WILL NOT COMPROMISE CEILING PERFORMANCE.
- b. ALL LIGHT FIXTURES SHALL BE SUPPORTED DIRECTLY BY JOIST FRAMING OR BY SUPPLEMENTAL FRAMING WHICH IS SUPPORTED BY JOIST FRAMING AND POSITIVELY ATTACHED WITH SCREWS OR OTHER APPROVED CONNECTORS.
- c. SURFACE MOUNTED FIXTURES SHALL BE ATTACHED TO JOIST FRAMING WITH A POSITIVE CLAMPING DEVICE MADE OF MATERIAL WITH A MINIMUM OF 14 GAGE. ROTATIONAL SPRING CLAMPS DO NOT COMPLY.
- d. ACCESS PANELS: ACCESS TO THE SPACE BETWEEN THE CEILING AND THE FLOOR OR ROOF ABOVE SHALL NOT BE ALLOWED. SMALL ACCESS PANELS FOR THE INSPECTION, ADJUSTMENT, OR REPAIR OF UTILITY SWITCHES, VALVES, SENSORS, ETC. MAY BE ALLOWED IF THE PANEL IS LESS THAN 300 SQUARE INCHES. SUCH PANELS SHALL ALSO HAVE A PERMANENT WARNING LABEL AS FOLLOWS:

WARNING: 1. DO NOT CLIMB, WALK, OR CRAWL ON THE GYPSUM BOARD CEILING.  
 2. DO NOT STORE OR STOW ANYTHING ON THE GYPSUM BOARD CEILING.

- e. ALL LIGHT FIXTURES WEIGHING LESS THAN OR EQUAL TO 10 LB. SHALL HAVE ONE NO. 12 GAUGE SAFETY WIRE CONNECTED FROM FIXTURE HOUSING TO STRUCTURE ABOVE. IT IS NOT NECESSARY FOR THESE SAFETY WIRES TO BE TAUT.
- f. ALL LIGHT FIXTURES WEIGHING GREATER THAN 10 LB BUT LESS THAN 56 LB. SHALL HAVE TWO NO. 12 GAUGE WIRE CONNECTED FROM FIXTURE HOUSING TO STRUCTURE ABOVE. IT IS NOT NECESSARY FOR THESE SAFETY SAFETY WIRES TO BE TAUT.
- g. ALL LIGHT FIXTURES WEIGHING GREATER THAN 56 LB. SHALL BE SUPPORTED DIRECTLY FROM STRUCTURE ABOVE BY APPROVED HANGERS.
- h. PENDENT-HUNG FIXTURES SHALL BE SUPPORTED DIRECTLY FROM THE STRUCTURE ABOVE USING NO LESS THAN NO. 9-GAUGE WIRE OR AN APPROVED ALTERNATE SUPPORT. THE CEILING SUSPENSION SYSTEM SHALL NOT PROVIDE ANY DIRECT SUPPORT.
- i. ALL RECESSED OR DROP-IN FIXTURES SHALL BE SUPPORTED DIRECTLY FROM FIXTURE HOUSING TO THE STRUCTURE ABOVE WITH A MINIMUM OF TWO NO. 12 GAUGE WIRES LOCATED AT DIAGONALLY OPPOSITE CORNERS. LEVELLING OR POSITIONING OF FIXTURES MAY BE PROVIDED BY JOIST FRAMING. FIXTURE SUPPORT WIRES MAY BE SLIGHTLY LOOSE TO ALLOW THE FIXTURE TO SEAT IN THE JOIST FRAMING. FIXTURES SHALL NOT BE SUPPORTED FROM JOIST FRAMING IF THE WEIGHT OF THE FIXTURES CAUSES TOTAL DEAD LOAD TO EXCEED THE DEFLECTION CAPABILITY OF THE CEILING SUSPENSION SYSTEM.

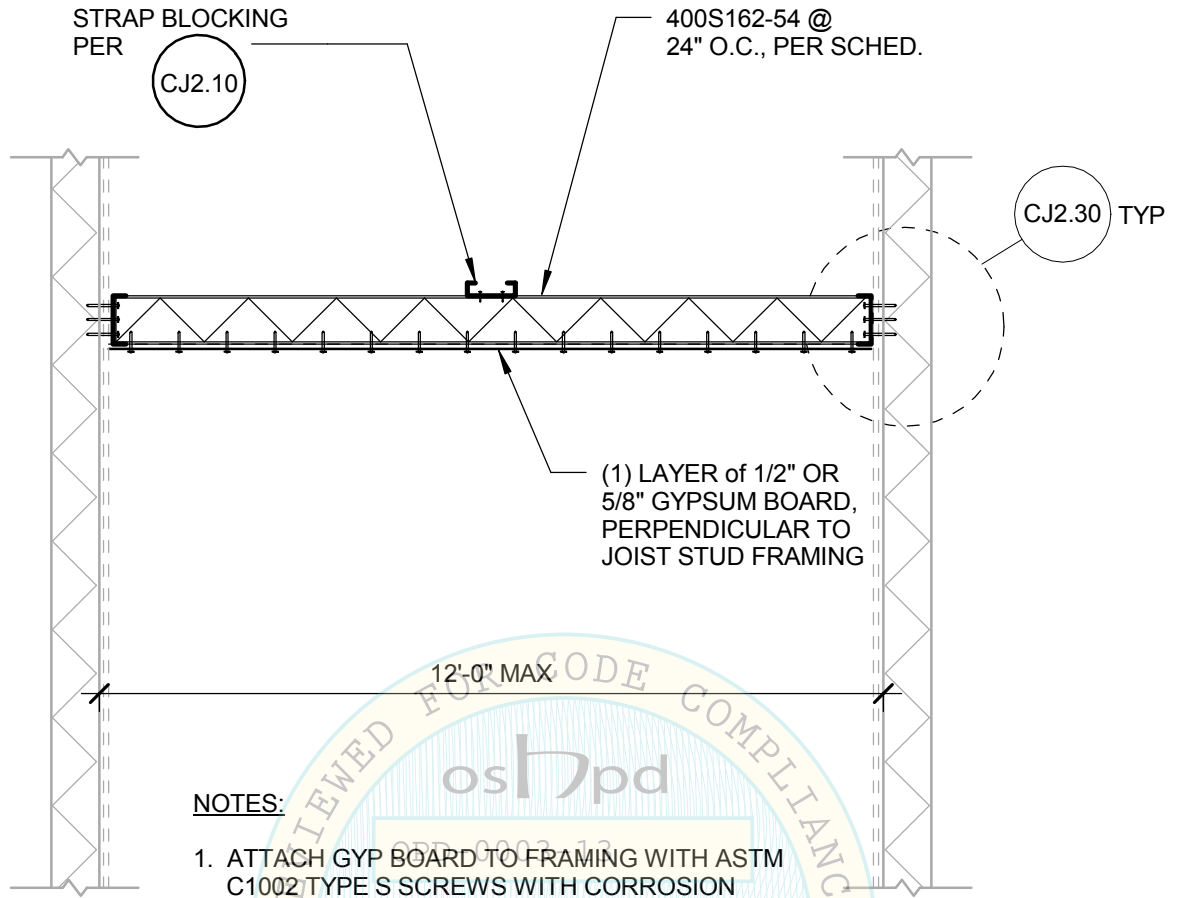
Section Title : OSHPD STANDARD GYPSUM BOARD CEILING DETAILS		OPD No:
Sheet Title : JOISTED GYP BOARD CEILING GENERAL NOTES		CJ0.01





**CEILING JOIST - FINISH ONE SIDE ONLY**

Section Title : OSHPD STANDARD GYPSUM BOARD CEILING DETAILS		OPD No:  <b>CJ2.10</b>
Sheet Title : JOISTED GYP BOARD CEILING BLOCKING DETAIL		



**NOTES:**

1. ATTACH GYP BOARD TO FRAMING WITH ASTM C1002 TYPE S SCREWS WITH CORROSION RESISTANT TREATMENT AT 12" O.C. MAX.
2. WHEN GYPSUM BOARD IS TO BE APPLIED TO BOTH CEILING AND WALLS, GYPSUM BOARD SHALL BE APPLIED FIRST TO THE CEILING AND THEN TO THE WALLS IN ACCORDANCE WITH ASTM C840.

**JOIST GYP-BOARD CEILING SECTION**

**JOIST SPAN SCHEDULES**

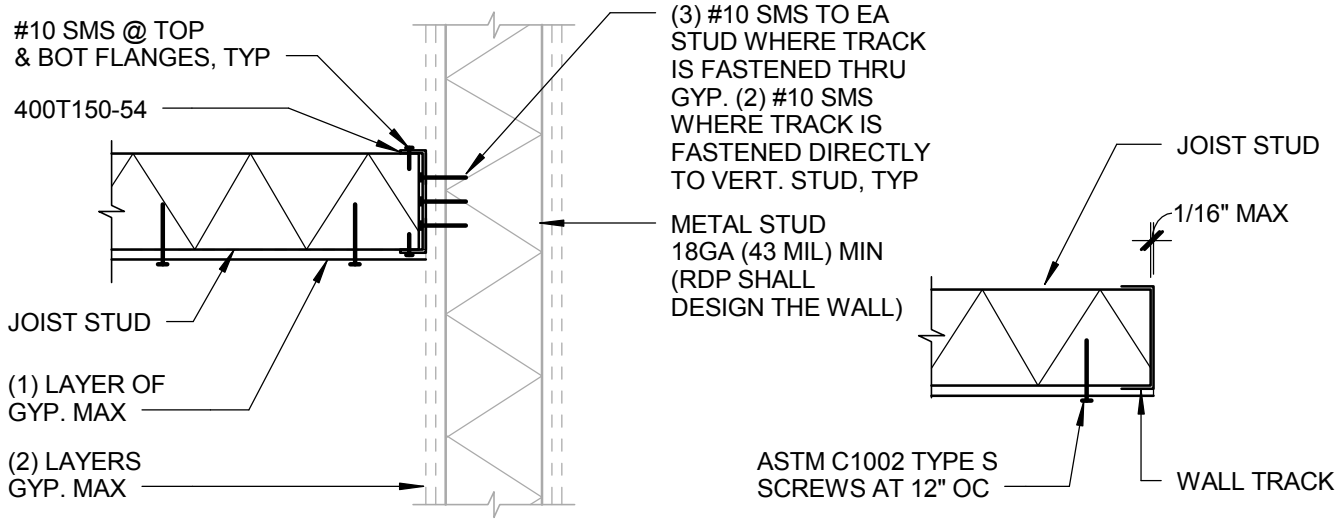
JOIST STUD SIZE	S <sub>DS</sub> (g)	BRIDGING LOCATION	F <sub>p</sub> ALLOWABLE FOR WALL DESIGN
SCHEDULE A - JOIST CONNECTION FASTENS THROUGH (2) LAYERS OF GYPSUM BOARD MAX			
400S162-54	S <sub>DS</sub> ≤ 1.15	MIDPOINT	6.6 plf
	1.15 < S <sub>DS</sub> ≤ 1.73	MIDPOINT	9.9 plf
	1.73 < S <sub>DS</sub> ≤ 2.59	MIDPOINT	14.9 plf

1. SEE CJ2.31 FOR TYPICAL 4'-1" x 2'-1" MAX OPENING IN JOISTED CEILING.

Section Title : OSHPD STANDARD GYPSUM BOARD CEILING DETAILS		OPD No:  <b>CJ2.20</b>
Sheet Title : <b>JOISTED GYP BOARD CEILING MAXIMUM SPANS</b>		

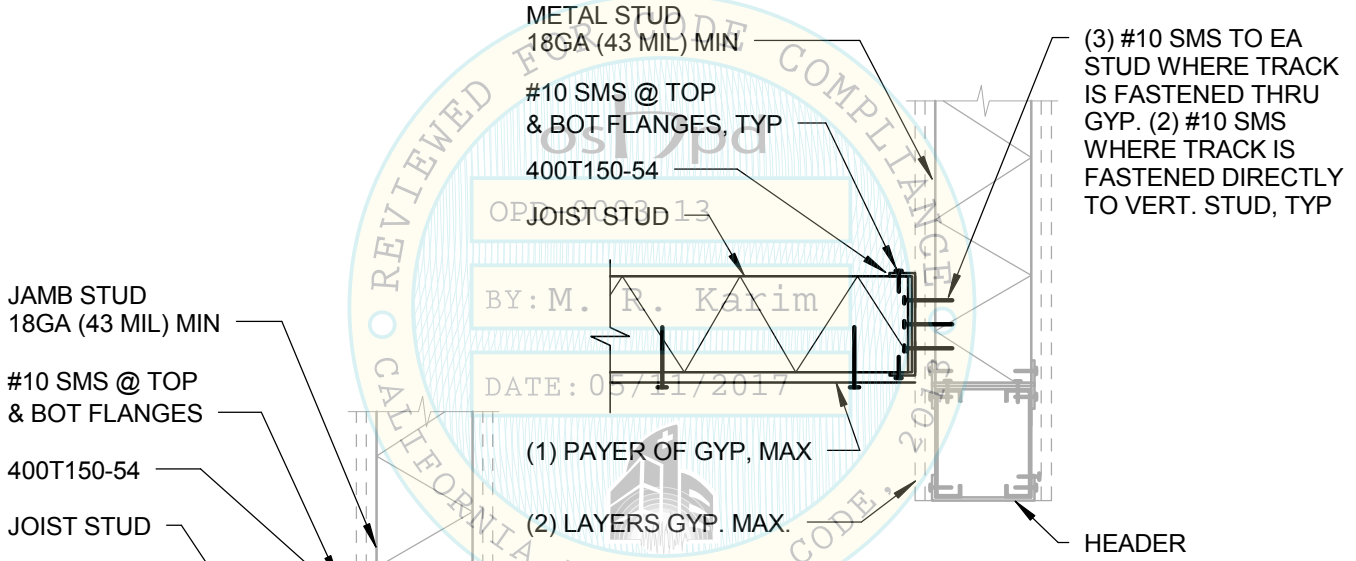


5/9/2017 9:07:27 AM



**A** SECTION AT TYP. STUD

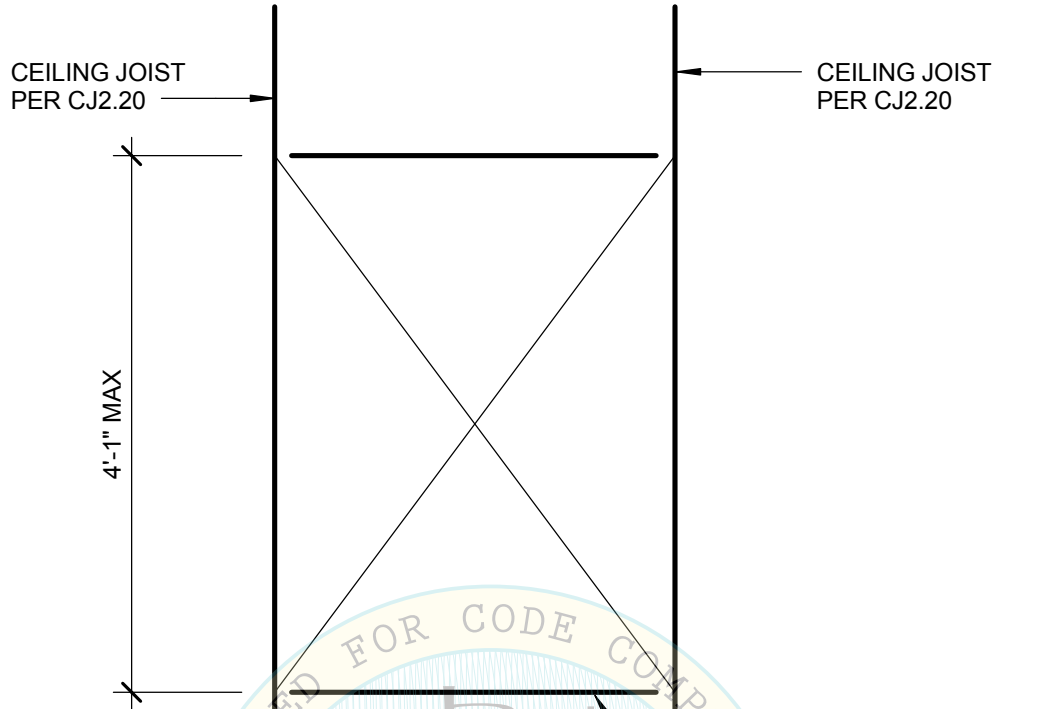
**D** GYP BOARD ATTACHMENT



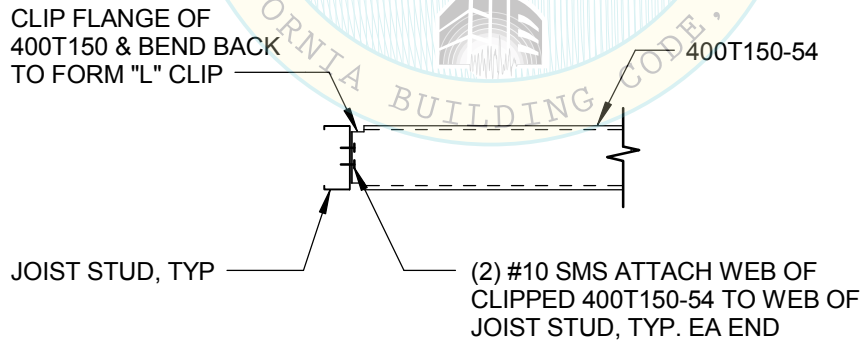
**B** SECTION AT JAMB

**C** SECTION AT OPENING

Section Title : OSHPD STANDARD GYPSUM BOARD CEILING DETAILS		OPD No:
Sheet Title : JOISTED GYP BOARD CEILING CONNECTIONS		<b>CJ2.30</b>



OPD-0003-13  
 2' - 1"  
 MAX  
 BY: M. R. Karim  
**OPENING FRAMING**



**A TYPICAL CONNECTION**

Section Title : OSHPD STANDARD GYPSUM BOARD CEILING DETAILS		OPD No:
Sheet Title : JOISTED GYP BOARD CEILING AT OPENINGS		<b>CJ2.31</b>

OSHPD contact for question or comment:

OPD@oshpd.ca.gov

