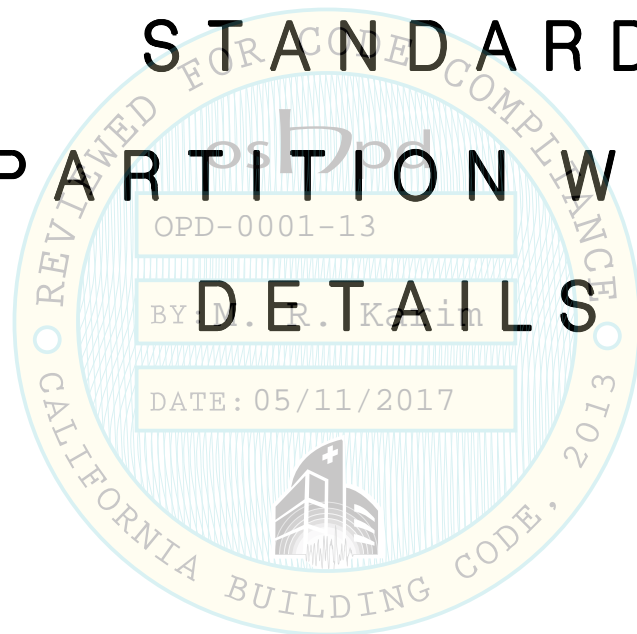


2013 CBC STANDARD PARTITION WALL

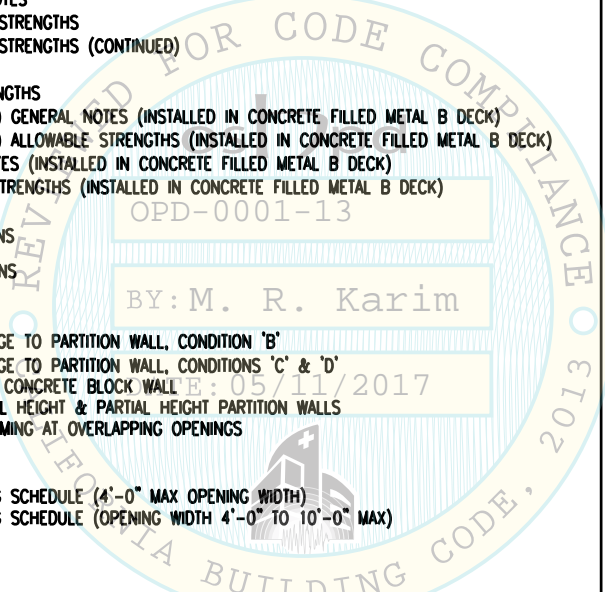


PLOT DATE: May 09, 2017

DRAWING INDEX

REVISIONS

- STX DRAWING INDEX, NARRATIVE AND FLOWCHART
 - STX.00 DRAWING INDEX
 - STX.01 DRAWING INDEX (CONTINUED)
 - STX.02 NARRATIVE - PAGE 1 OF 4
 - STX.03 NARRATIVE - PAGE 2 OF 4
 - STX.04 NARRATIVE - PAGE 3 OF 4
 - STX.05 NARRATIVE - PAGE 4 OF 4
 - STX.06 FLOWCHART - OVERVIEW OF OPD USE
 - STX.07 FLOWCHART - PARTITION WALLS
 - STX.08 FLOWCHART - PARTITION WALL OPENINGS
 - STX.09 FLOWCHART - PARTITION WALL TOP CONNECTION
 - STX.10 FLOWCHART - PARTITION WALL BOTTOM CONNECTION
 - STX.11 FLOWCHART - SOFFIT
 - STO GENERAL NOTES
 - STO.00 GENERAL NOTES - PAGE 1 OF 3
 - STO.01 GENERAL NOTES - PAGE 2 OF 3
 - STO.02 GENERAL NOTES - PAGE 3 OF 3
 - ST1 STUD FRAMING AND CONNECTIONS
 - ST1.00 METAL STUD PROFILES
 - ST1.01 POWER ACTUATED FASTENER (PAF) GENERAL NOTES (INSTALLED IN CONCRETE FILLED METAL DECK OR CONC SLAB)
 - ST1.02 POWER ACTUATED FASTENER (PAF) ALLOWABLE STRENGTHS (INSTALLED IN CONCRETE FILLED METAL DECK OR CONC SLAB)
 - ST1.03 EXPANSION ANCHOR GENERAL NOTES
 - ST1.04 EXPANSION ANCHOR ALLOWABLE STRENGTHS
 - ST1.05 POWER ACTUATED FASTENER (PAF) GENERAL NOTES AND ALLOWABLE STRENGTHS (INSTALLED IN STEEL)
 - ST1.06 SHEET METAL SCREW GENERAL NOTES
 - ST1.07 SHEET METAL SCREW ALLOWABLE STRENGTHS
 - ST1.08 SHEET METAL SCREW ALLOWABLE STRENGTHS (CONTINUED)
 - ST1.09 SCREW ANCHOR GENERAL NOTES
 - ST1.10 SCREW ANCHOR ALLOWABLE STRENGTHS
 - ST1.11 POWER ACTUATED FASTENER (PAF) GENERAL NOTES (INSTALLED IN CONCRETE FILLED METAL B DECK)
 - ST1.12 POWER ACTUATED FASTENER (PAF) ALLOWABLE STRENGTHS (INSTALLED IN CONCRETE FILLED METAL B DECK)
 - ST1.13 EXPANSION ANCHOR GENERAL NOTES (INSTALLED IN CONCRETE FILLED METAL B DECK)
 - ST1.14 EXPANSION ANCHOR ALLOWABLE STRENGTHS (INSTALLED IN CONCRETE FILLED METAL B DECK)
 - ST2 PARTITION WALL SECTIONS AND ELEVATIONS
 - ST2.00 TYPICAL PARTITION WALL CONDITIONS
 - ST2.01 PARTITION WALL SCHEDULES
 - ST2.02 TYPICAL PARTITION WALL SECTION
 - ST2.03 CABINET OR EQUIPMENT ANCHORAGE TO PARTITION WALL, CONDITION 'B'
 - ST2.04 CABINET OR EQUIPMENT ANCHORAGE TO PARTITION WALL, CONDITIONS 'C' & 'D'
 - ST2.05 STUD FURRING ON CONCRETE OR CONCRETE BLOCK WALL
 - ST2.06 PARTITION WALL ELEVATION - FULL HEIGHT & PARTIAL HEIGHT PARTITION WALLS
 - ST2.07 PARTITION WALL ELEVATION - FRAMING AT OVERLAPPING OPENINGS
 - ST3 PARTITION WALL FRAMING DETAILS
 - ST3.00 PARTITION WALL OPENING FRAMING SCHEDULE (4'-0" MAX OPENING WIDTH)
 - ST3.01 PARTITION WALL OPENING FRAMING SCHEDULE (OPENING WIDTH 4'-0" TO 10'-0" MAX)
 - ST3.02 HEADER SECTION
 - ST3.03 SILL SECTION
 - ST3.04 JAMB STUD DETAILS
 - ST3.05 HEADER AND SILL CONNECTION TO JAMB STUDS (4'-0" MAX OPENING WIDTH)
 - ST3.06 HEADER AND SILL CONNECTION TO JAMB STUDS (OPENING WIDTH BETWEEN 4'-0" TO 10'-0" MAX)
 - ST4 PARTITION WALL BRACING / BRIDGING DETAILS
 - ST4.00 METAL STUD LATERAL BRACING TYPE 1
 - ST4.01 METAL STUD LATERAL BRACING TYPE 2
 - ST5 BACKING DETAILS
 - ST5.00 BACKING PLATE DETAIL TYPE 1
 - ST5.01 BACKING PLATE DETAIL TYPE 2
 - ST5.02 BASE CABINET OR EQUIPMENT ANCHORAGE
 - ST5.03 BACKING PLATE DETAIL FOR GRAB BAR TYPE 1
- CONTINUED ON STO.01



SECTION TITLE:
STANDARD PARTITION WALL DETAILS

SHEET TITLE:
DRAWING INDEX

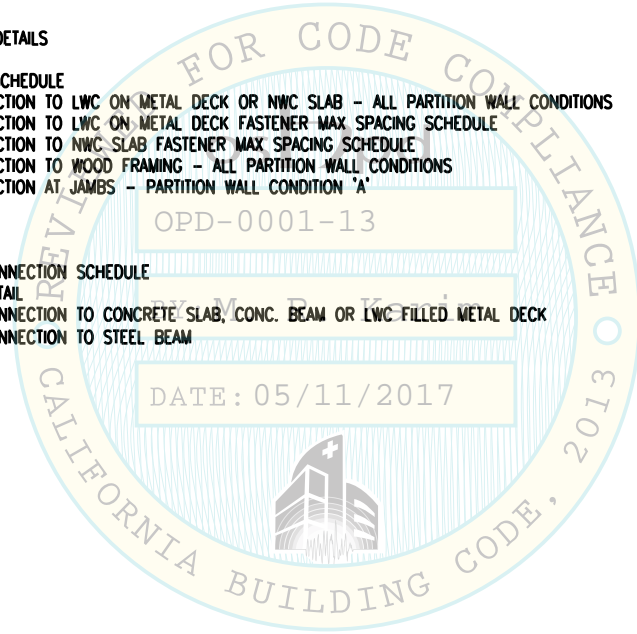
OPD NO.:
STX.00

PLOT DATE: May 09, 2017

DRAWING INDEX (CONTINUED)

REVISIONS

- ST6 PARTIAL HEIGHT PARTITION WALL TOP TRACK CONNECTION DETAILS**
- ST6.00 TOP CONNECTION CONDITIONS - PARTIAL HEIGHT PARTITION WALL
 - ST6.01 PARTIAL HEIGHT PARTITION WALL BRACE SPACING, SIZE & CONNECTION SCHEDULES
 - ST6.02 PARTIAL HEIGHT PARTITION WALL TOP BRACING - PARTITION WALL CONDITIONS 'A' & 'B'
 - ST6.03 PARTIAL HEIGHT PARTITION WALL TOP BRACING - PARTITION WALL CONDITIONS 'C' & 'D'
 - ST6.04 BRACE CONNECTION TO CONCRETE FILLED METAL DECK - ALL PARTITION WALL CONDITIONS
 - ST6.05 BRACE CONNECTION TO CONCRETE SLAB OR BEAM SOFFIT - ALL PARTITION WALL CONDITIONS
 - ST6.06 BRACE CONNECTION TO CONCRETE PAN JOIST OR WAFFLE SLAB SYSTEM - ALL PARTITION WALL CONDITIONS
 - ST6.07 BRACE CONNECTION TO METAL ROOF DECK WITHOUT STRUCTURAL CONCRETE FILL - PARTITION WALL CONDITIONS 'A' & 'B'
 - ST6.08 BRACE CONNECTION TO STEEL BEAM - PARTITION WALL CONDITIONS 'A' & 'B'
 - ST6.09 BRACE CONNECTION TO STEEL BEAM - PARTITION WALL CONDITIONS 'C' & 'D'
 - ST6.10 BRACE CONNECTION TO WOOD FRAMING - ALL PARTITION WALL CONDITIONS
 - ST6.11 TOP & BOTTOM CONNECTION DEMAND SCHEDULE
- ST7 FULL HEIGHT PARTITION WALL TOP TRACK CONNECTION DETAILS**
- ST7.00 TOP CONNECTION CONDITIONS - FULL HEIGHT PARTITION WALL
 - ST7.01 TYPICAL TOP TRACK ANCHORAGE - ALL PARTITION WALL CONDITIONS
 - ST7.02 TOP TRACK CONNECTION LWC TO FILLED METAL DECK & NWC SLAB - ALL PARTITION WALL CONDITIONS
 - ST7.03 TOP TRACK CONNECTION LWC TO FILLED METAL DECK & NWC SLAB W/ FIREPROOFING - ALL PARTITION WALL CONDITIONS
 - ST7.04 TOP TRACK CONNECTION LWC TO FILLED METAL DECK & NWC SLAB FASTENER SPACING SCHEDULES
 - ST7.05 TOP TRACK CONNECTION TO CONCRETE PAN JOIST & WAFFLE SLAB SYSTEM - ALL PARTITION WALL CONDITIONS
 - ST7.06 TOP TRACK CONNECTION TO CONCRETE PAN JOIST & WAFFLE SLAB SYSTEM - ALL PARTITION WALL CONDITIONS
 - ST7.07 TOP TRACK CONNECTION TO METAL ROOF DECK WITHOUT CONCRETE FILL - ALL PARTITION WALL CONDITIONS
 - ST7.08 TOP TRACK CONNECTION TO STEEL BEAM - ALL PARTITION WALL CONDITIONS
 - ST7.09 TOP TRACK CONNECTION TO WOOD FRAMING - ALL PARTITION WALL CONDITIONS
 - ST7.10 TOP TRACK CONNECTION AT JAMB LOCATIONS - PARTITION WALL CONDITION 'A'
- ST8 BOTTOM TRACK CONNECTION DETAILS**
- ST8.00 BOTTOM CONNECTION SCHEDULE
 - ST8.01 BOTTOM TRACK CONNECTION TO LWC ON METAL DECK OR NWC SLAB - ALL PARTITION WALL CONDITIONS
 - ST8.02 BOTTOM TRACK CONNECTION TO LWC ON METAL DECK FASTENER MAX SPACING SCHEDULE
 - ST8.03 BOTTOM TRACK CONNECTION TO NWC SLAB FASTENER MAX SPACING SCHEDULE
 - ST8.04 BOTTOM TRACK CONNECTION TO WOOD FRAMING - ALL PARTITION WALL CONDITIONS
 - ST8.05 BOTTOM TRACK CONNECTION AT JAMBS - PARTITION WALL CONDITION 'A'
- ST9 SUSPENDED SOFFIT DETAILS**
- ST9.00 SUSPENDED SOFFIT CONNECTION SCHEDULE
 - ST9.01 SUSPENDED SOFFIT DETAIL
 - ST9.02 SUSPENDED SOFFIT CONNECTION TO CONCRETE SLAB, CONC. BEAM OR LWC FILLED METAL DECK
 - ST9.03 SUSPENDED SOFFIT CONNECTION TO STEEL BEAM



SECTION TITLE:
STANDARD PARTITION WALL DETAILS

SHEET TITLE:
DRAWING INDEX (CONTINUED)

OPD NO.:
STX.01

NARRATIVE

2013 California Building Code (2013 CBC) Standard Partition Wall Details document contains OSHPD Pre-Approved Details (OPD), which may be incorporated into construction documents. These details have been reviewed for compliance with the 2013 CBC and, when used as shown, without modifications, are deemed to comply with code. They are intended to cover common conditions that occur on many projects. It is anticipated that use of these details will facilitate the design, review, and construction process.

The Narrative and supporting Flowchart, which follows the Narrative, are provided to assist in selecting applicable details from the OPD for incorporation into the construction documents. It is to be used only as a guide and does not provide complete step-by-step instructions for use of the OPD. Narrative comment numbers correspond to the numbered items on the Flowchart.

The following steps apply to use of OPD:

1. Define Project Parameters

- A. Short Period Spectral Response Acceleration (S_{DS}) for project site.
 - i. The (S_{DS}) identified for use with the OPD shall not be lower than the S_{DS} documented in the project General Notes and/or Specifications.
- B. Type of construction.
 - i. The Registered Design Professional (RDP) in responsible charge shall identify the floor and/or roof framing materials which apply to the use of the OPD under consideration (e.g. wood, concrete, metal deck).
- C. Project specific geometry and other conditions.
 - i. The RDP in responsible charge shall identify the geometry which applies to the use of the OPD under consideration (e.g. floor-to-floor height, wall thickness).
 - ii. The RDP in responsible charge shall identify other unique conditions which apply to the use of the OPD under consideration (e.g. mechanical duct conflicts, door openings in partition walls, partial-height vs full-height partition walls, attachments suspended from partition walls).

2. Verify Applicability of OPD

Refer to PIN 51.

OPD allow design professionals to incorporate pre-approved details into their construction documents. Projects that utilize OPD shall satisfy the following conditions.

SECTION TITLE: STANDARD PARTITION WALL DETAILS			
SHEET TITLE: NARRATIVE - PAGE 1 OF 4			OPD NO.: STX.02

- A. The RDP in responsible charge shall verify the applicability of the OPD for their specific project conditions. For example, when designing a fire-rated corridor, use of partition wall framing OPD are acceptable provided the OPD are compatible with the construction requirements for the fire rated wall assembly.
- B. The details must be directly applicable to the project conditions. For example, OPD for attachment of a soffit suspended below a steel deck with concrete fill are not applicable to wood frame construction.
- C. Substitutions of items shown in the OPD are not permitted, unless specifically allowed by the OPD. For example, a power-actuated fastener (PAF) may not be substituted in a connection detail that specifies an expansion anchor, unless the OPD specifically permits it. Use of post-installed anchors from different manufacturers is permitted, provided the substituted anchors meet the installation criteria and Allowable Strengths as specified in the OPD.
- D. Changes to the OPD to accommodate project conditions are not permitted. In such cases, project specific details are required.

3. Select Appropriate Details from OPD

Review OPD General Notes before the start of OPD selection process.

- A. For partition wall design, begin at ST2.00.
- B. Enter ST2.01 with partition wall height, condition and S_{DS} value to select metal stud size.
- C. The following framing components are covered by the OPD:
Furring, attachment anchorage to the partition walls, framing of openings (3.D), lateral in-plane bracing of the partition walls, partition wall top and bottom connections to structure (3.E). See flowchart for corresponding detail numbers.
- D. Framing of openings.
 - i. Select opening framing members per ST3.00 or ST3.01 based upon opening width per ST2.06.
 - ii. Apply the information found in these schedules to select appropriate framing details.
 - 1) Header detail ST3.02 provides a choice of screw or welded connections.
 - 2) Sill detail ST3.03 provides a choice of screw or welded connections.
 - 3) Jamb detail ST3.04 provides a choice of screw or welded connections.
 - a) See ST2.06 and ST7.10 for top track connection at jambs.
 - b) See ST8.05 for fasteners for bottom connection at jambs based on opening size and the substrate below.

SECTION TITLE: STANDARD PARTITION WALL DETAILS			
SHEET TITLE: NARRATIVE - PAGE 2 OF 4			OPD NO.: STX.03

- 4) Depending upon the opening width, use header and sill connection to jamb per ST3.05 or ST3.06, both of which provide options for bent web or gage plate connections.

E. Partition wall connection to structure.

i. Partition wall top connection design.

- 1) For partial height partition top connection, brace design begins at ST6.00.
 - a) For brace spacing size and connections at either end of the brace, enter schedule on ST6.01 with S_{DS} and partition wall condition information. Determine maximum allowable brace spacing based on the chosen brace size (stud width and thickness).
 - b) For brace configuration and components, see ST6.02 and ST6.03.
 - c) Brace connection to the structure above is specific to the construction type (e.g. substrate for fastener placement). See ST6.04 through ST6.10.
 - d) Select appropriate fastener.
 - e) For fasteners installed in concrete or steel choose qualified fastener manufacturer based on fastener installation criteria and Allowable Strength as specified in the OPD as well as criteria specified in the General Notes.
 - f) For fasteners installed in wood, use fasteners per NDS for Wood Construction.

- 2) For full height partition wall, top connection design begins at ST7.00.
 - a) For nested and vertically slotted track configurations, see ST7.01.
 - b) Top track connection to the structure above is specific to the construction type (e.g. substrate for fastener placement). See ST7.02 through ST7.10.
 - c) See 3.E.i.1)d) for further steps.

ii. For partition wall bottom connection, design begins at ST8.00.

- 1) For connection to concrete, see ST8.01.
 - a) To select fastener type, size, embed and spacing for connection to LWC filled metal deck or NWC slab, enter schedule on ST8.02 or ST8.03 with partition wall condition, height and S_{DS} information.
- 2) For connection to wood, see ST8.04.

SECTION TITLE: STANDARD PARTITION WALL DETAILS			
SHEET TITLE: NARRATIVE - PAGE 3 OF 4			OPD NO.: STX.04

- F. For Soffit design, begin at ST9.00.
 - i. See soffit framing on ST9.01 for framing elements specific to S_{DS} level and soffit lateral brace length.
 - ii. Depending on the substrate, use ST9.02 or ST9.03 for the soffit connection to the structure above.
 - 1) Choose qualified manufacturer based on fastener installation criteria and Allowable Strengths as specified in the OPD as well as criteria specified in the General Notes. See ST1.03 and ST1.04 in addition to OPD General Notes.

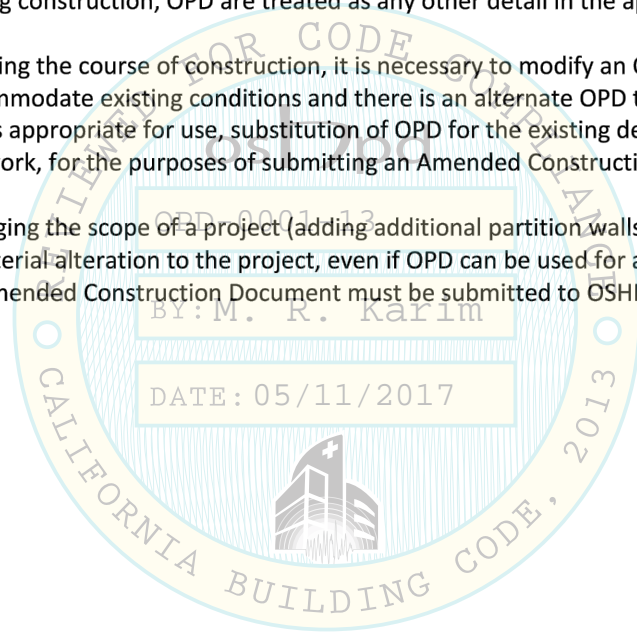
4. Implementation and Use of OPD During Plan Review

Refer to PIN 51.

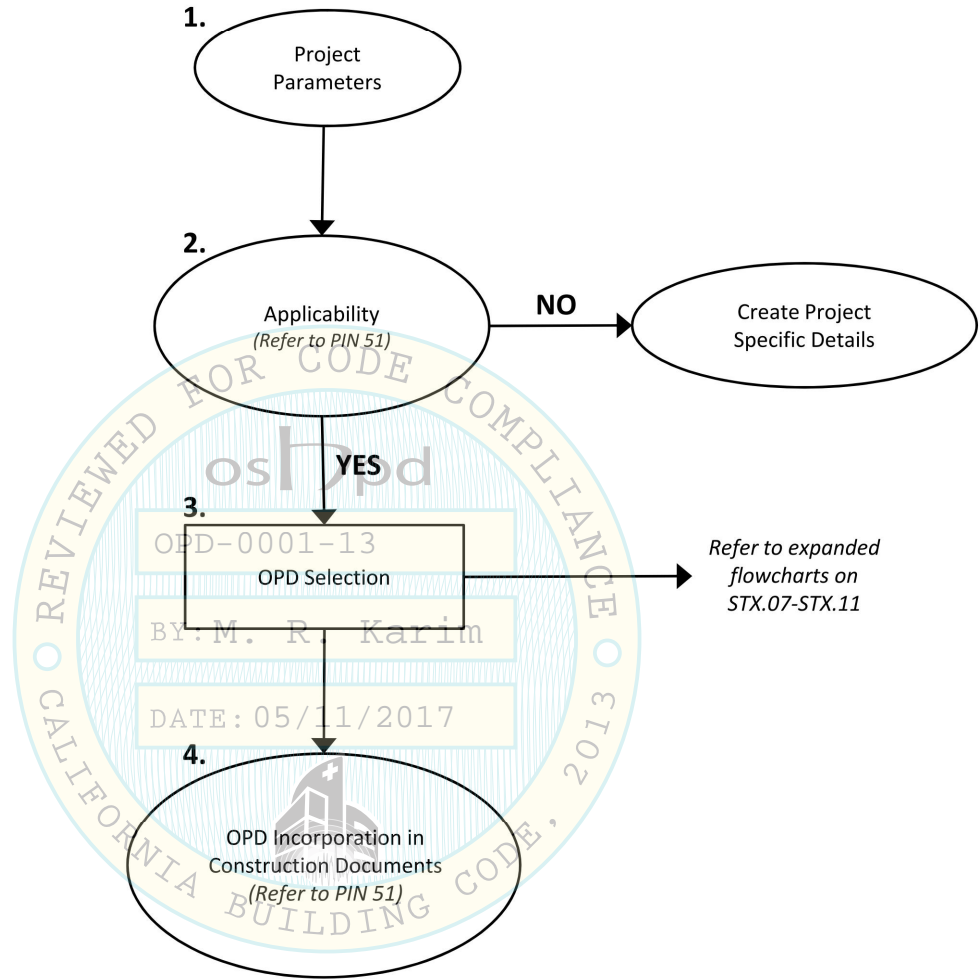
5. Implementation and Use of OPD During Construction Process

Refer to PIN 51.

- A. During construction, OPD are treated as any other detail in the approved documents.
- B. If during the course of construction, it is necessary to modify an OPD or project specific detail to accommodate existing conditions and there is an alternate OPD that will work for the condition and is appropriate for use, substitution of OPD for the existing detail does not materially alter the work, for the purposes of submitting an Amended Construction Document.
- C. Changing the scope of a project (adding additional partition walls, for example) does constitute a material alteration to the project, even if OPD can be used for all conditions. In such a case, an Amended Construction Document must be submitted to OSHPD field staff for review.



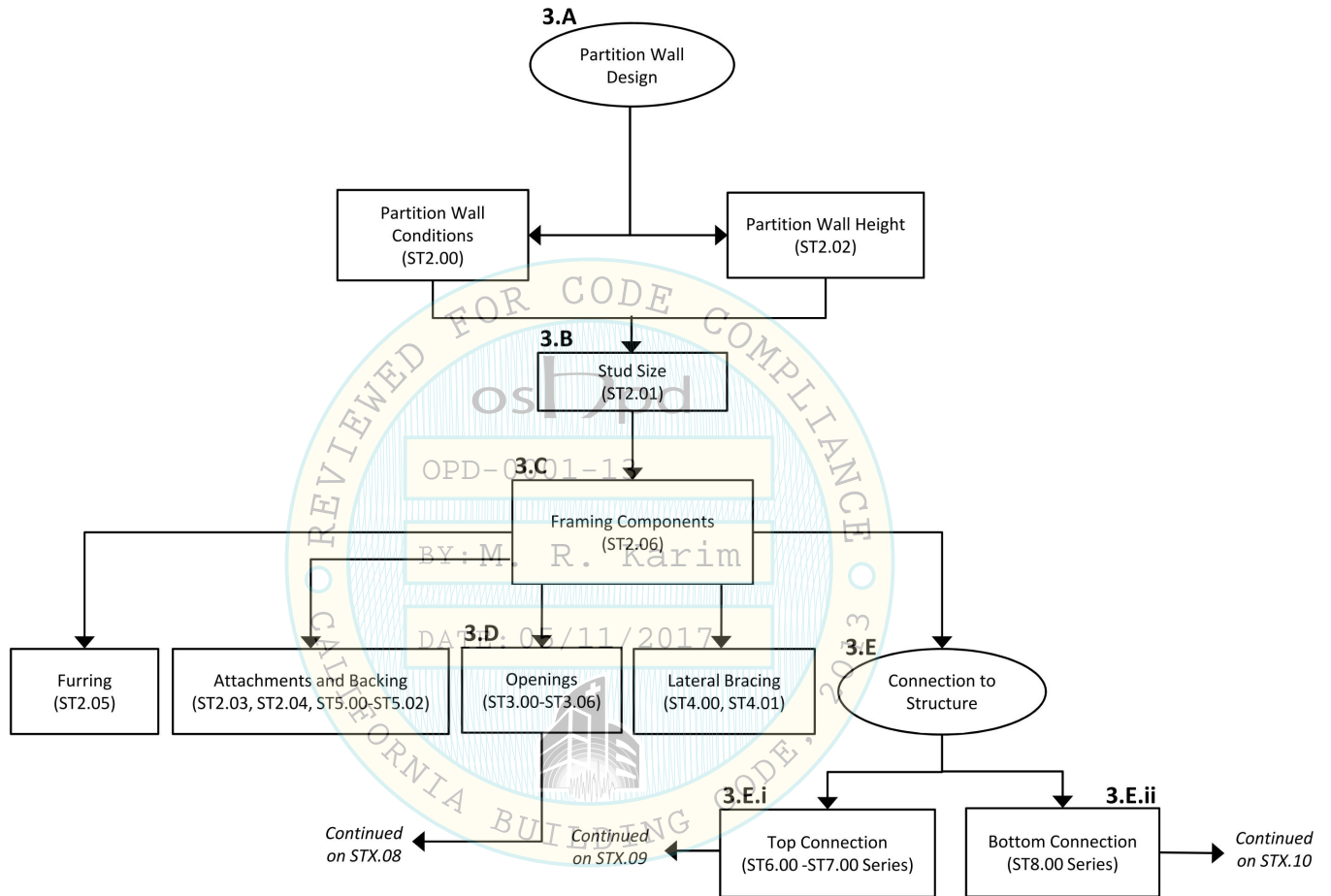
SECTION TITLE: STANDARD PARTITION WALL DETAILS		
SHEET TITLE: NARRATIVE - PAGE 4 OF 4		OPD NO.:
		STX.05



SECTION TITLE:
STANDARD PARTITION WALL DETAILS

SHEET TITLE:
FLOWCHART - OVERVIEW OF OPD USE

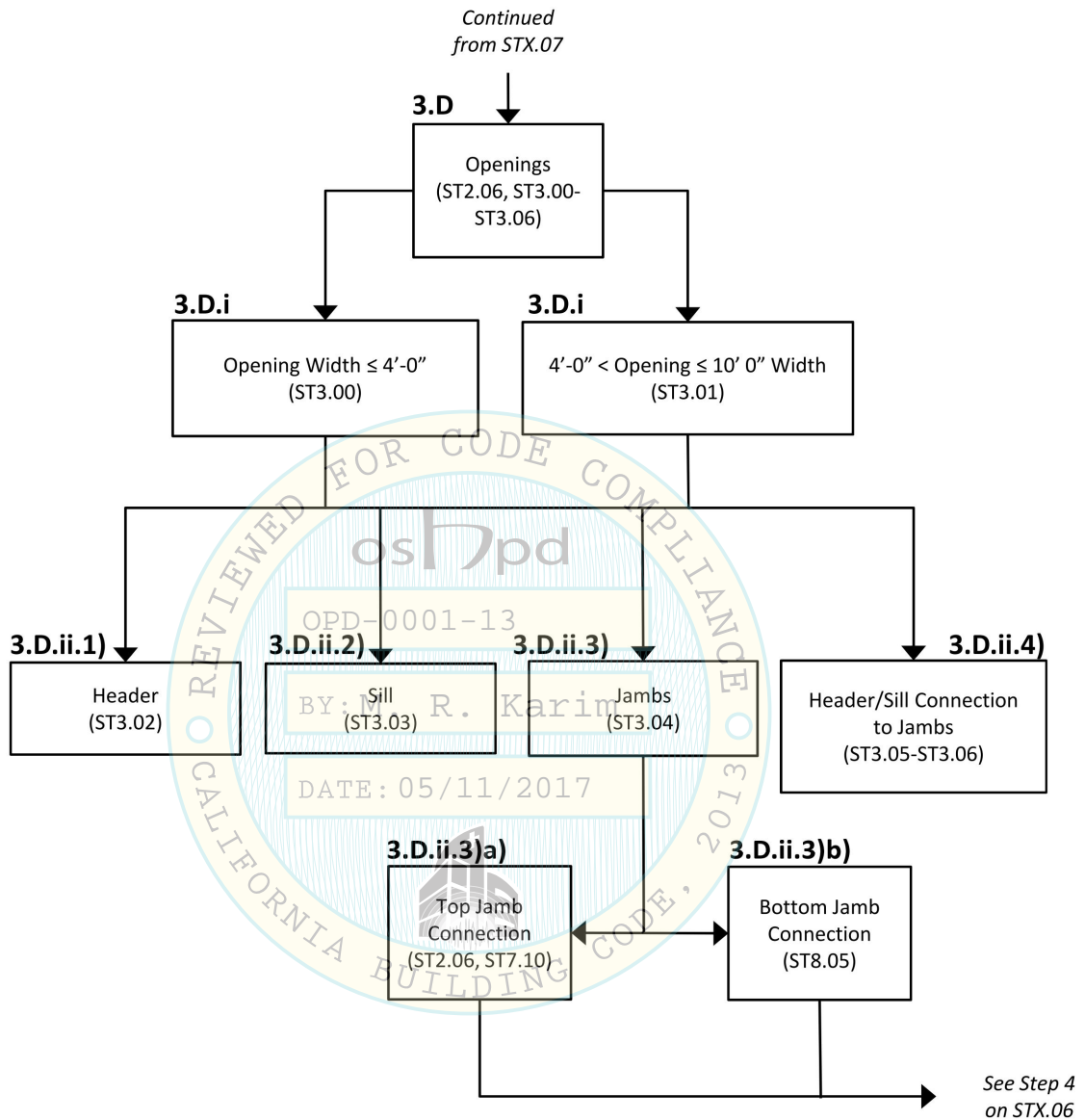
OPD NO.:
STX.06



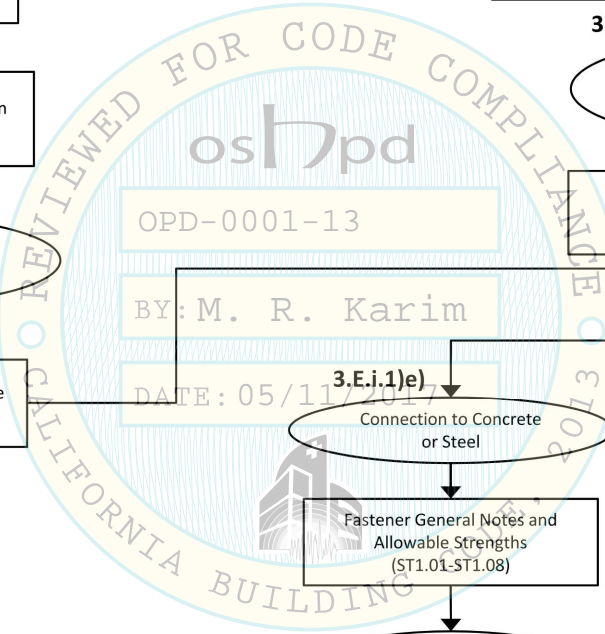
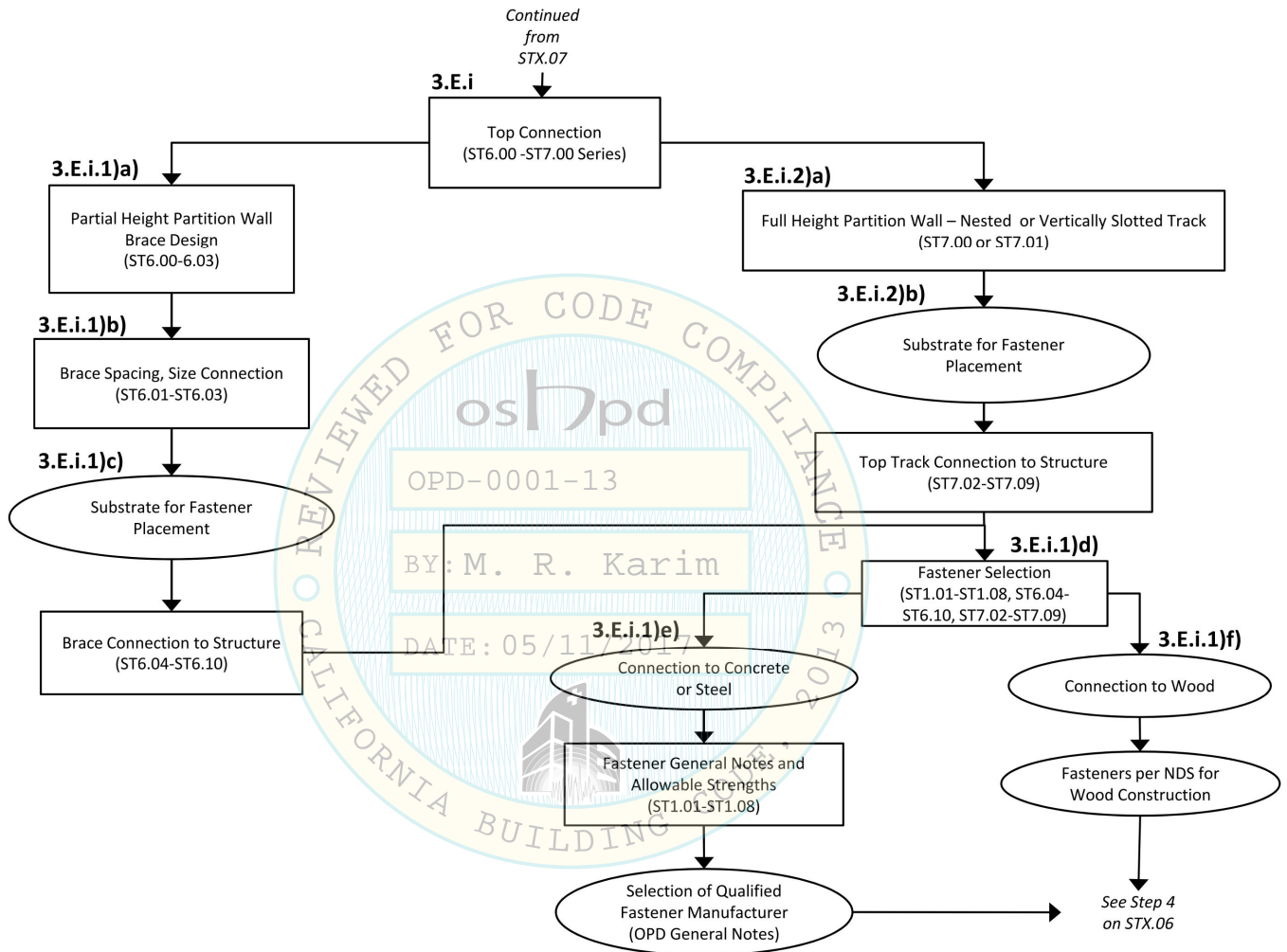
SECTION TITLE:
STANDARD PARTITION WALL DETAILS

SHEET TITLE:
FLOWCHART - PARTITION WALLS

OPD NO.:
STX.07



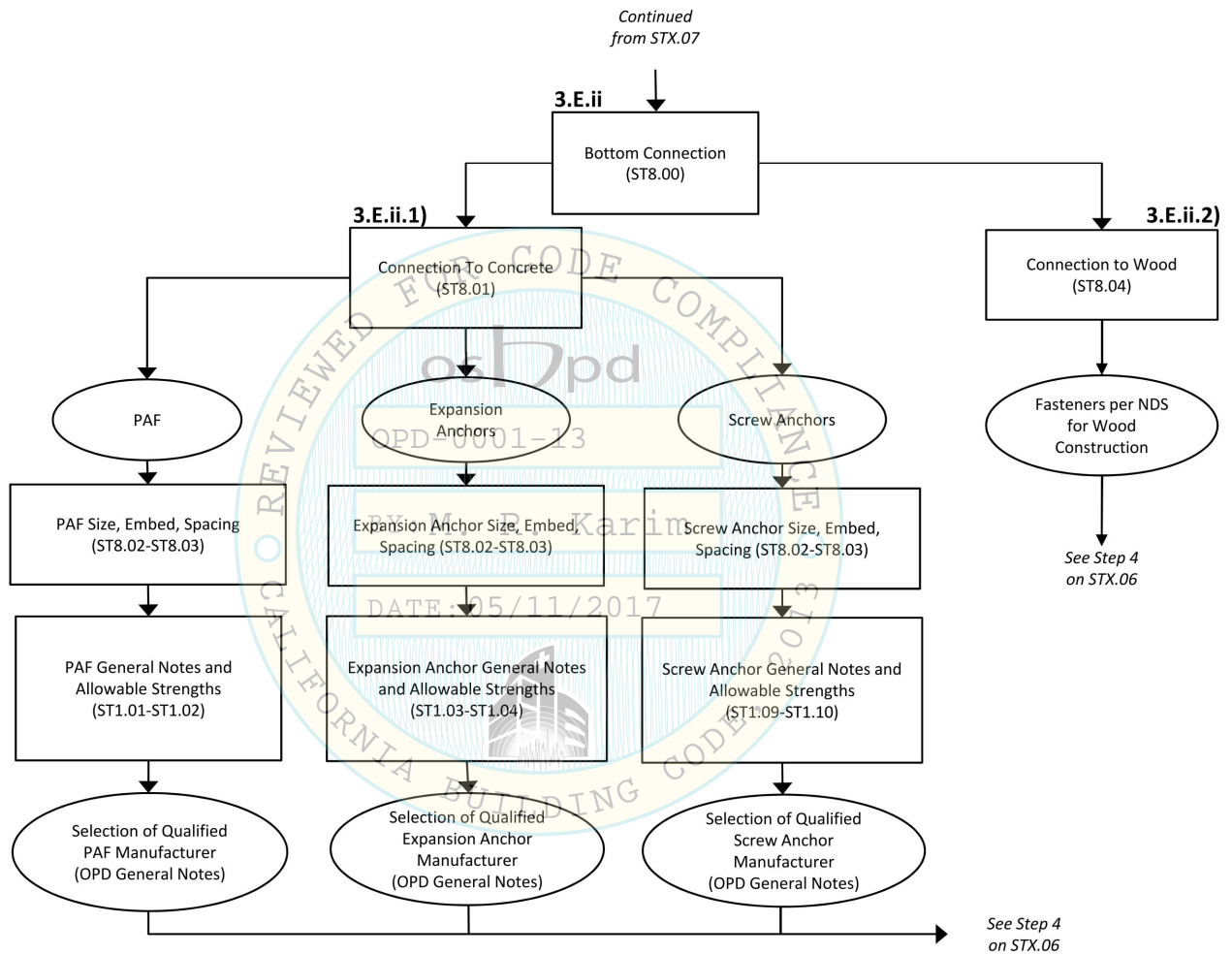
SECTION TITLE: STANDARD PARTITION WALL DETAILS			
SHEET TITLE: FLOWCHART - PARTITION WALL OPENINGS			OPD NO.: STX.08



SECTION TITLE:
STANDARD PARTITION WALL DETAILS

SHEET TITLE:
FLOWCHART - PARTITION WALL
TOP CONNECTION

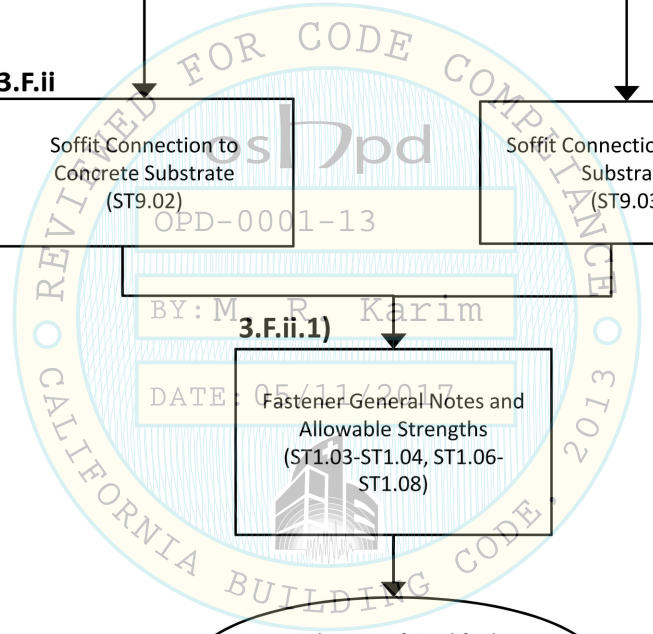
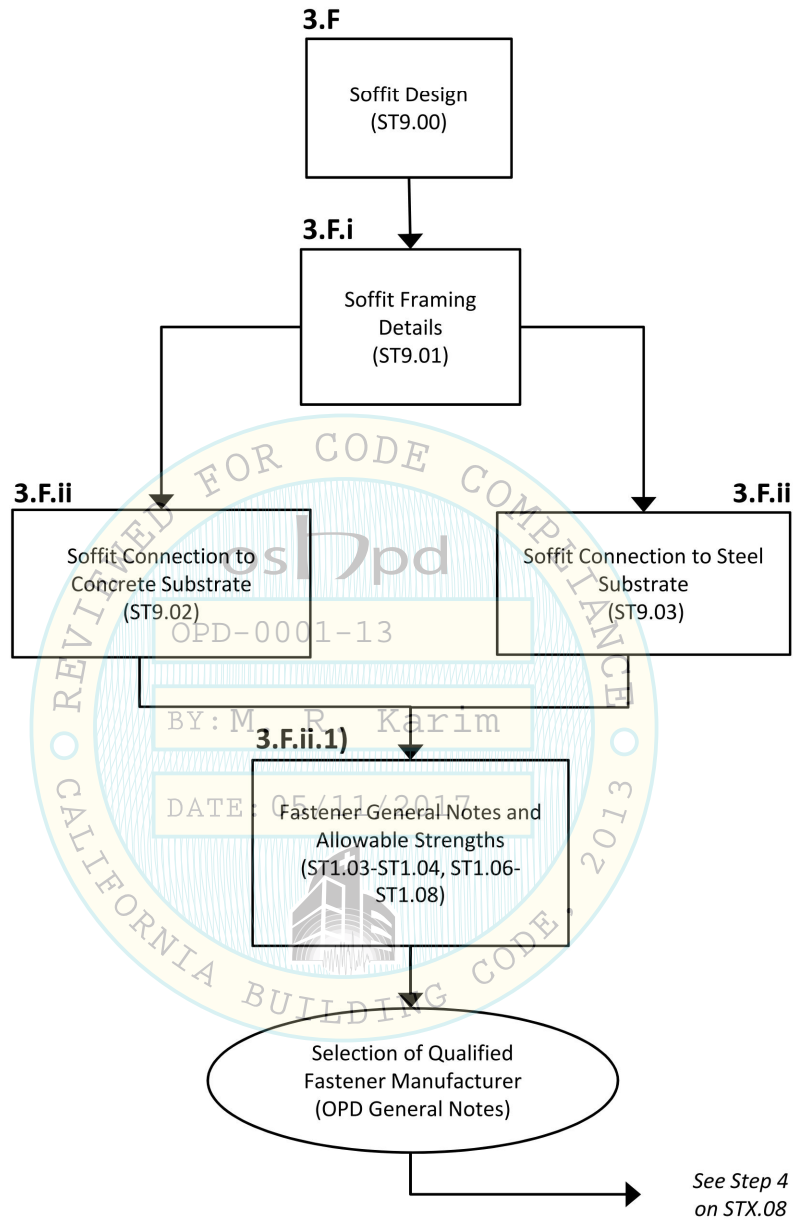
OPD NO.:
STX.09



SECTION TITLE:
STANDARD PARTITION WALL DETAILS

SHEET TITLE:
FLOWCHART - PARTITION WALL
BOTTOM CONNECTION

OPD NO.:
STX.10



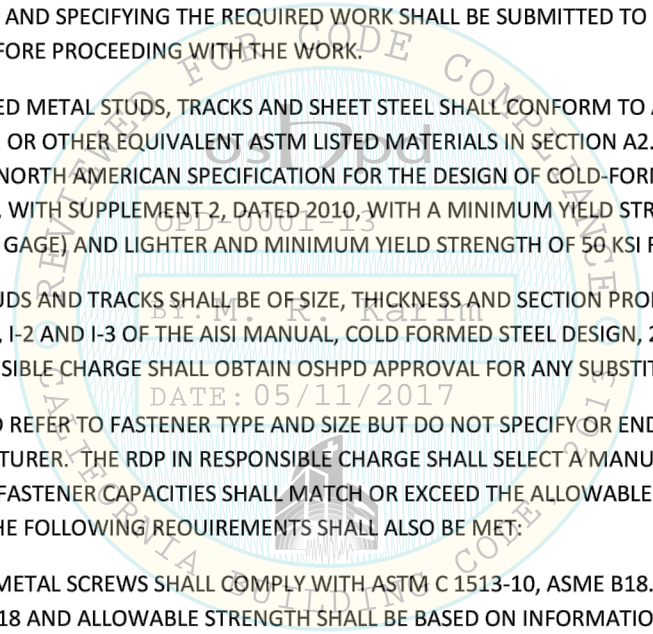
SECTION TITLE:
STANDARD PARTITION WALL DETAILS

SHEET TITLE:
FLOWCHART - SOFFIT

OPD NO.:
STX.11

GENERAL NOTES

1. CONSTRUCTION, WORKMANSHIP AND MATERIALS SHALL CONFORM TO THE 2013 CALIFORNIA BUILDING STANDARDS CODE (2013 CBSC).
2. THE CONTRACTOR SHALL NOTIFY OSHPD AND THE REGISTERED DESIGN PROFESSIONAL (RDP) IN RESPONSIBLE CHARGE WHERE A CONFLICT OR DISCREPANCY OCCURS BETWEEN THE OSHPD PRE-APPROVED DETAILS (OPD) AND ANY OTHER PORTION OF THE CONSTRUCTION DOCUMENTS, FIELD CONDITIONS OR WHERE ANY CONDITIONS ARISE NOT COVERED BY THESE DOCUMENTS WHEREIN WORK WILL NOT COMPLY WITH THE REQUIREMENTS OF THE 2013 CBSC.
3. THE INTENT OF THE OPD IS TO CONSTRUCT THE HOSPITAL BUILDING IN ACCORDANCE WITH THE 2013 CBSC. SHOULD ANY CONDITION DEVELOP NOT COVERED BY THE APPROVED PLANS AND SPECIFICATIONS WHEREIN THE WORK WILL NOT COMPLY WITH THE 2013 CBSC, A CHANGE ORDER DETAILING AND SPECIFYING THE REQUIRED WORK SHALL BE SUBMITTED TO AND APPROVED BY OSHPD BEFORE PROCEEDING WITH THE WORK.
4. GALVANIZED METAL STUDS, TRACKS AND SHEET STEEL SHALL CONFORM TO ASTM A635-09a MATERIAL, OR OTHER EQUIVALENT ASTM LISTED MATERIALS IN SECTION A2.1 OF THE AISI S100-07/S2-10: NORTH AMERICAN SPECIFICATION FOR THE DESIGN OF COLD-FORMED STEEL STRUCTURAL MEMBERS, WITH SUPPLEMENT 2, DATED 2010, WITH A MINIMUM YIELD STRENGTH OF 33 KSI FOR 43 MIL (18 GAGE) AND LIGHTER AND MINIMUM YIELD STRENGTH OF 50 KSI FOR HEAVIER GAGES.
5. METAL STUDS AND TRACKS SHALL BE OF SIZE, THICKNESS AND SECTION PROPERTIES SHOWN ON TABLES I-1, I-2 AND I-3 OF THE AISI MANUAL, COLD FORMED STEEL DESIGN, 2008 EDITION. THE RDP IN RESPONSIBLE CHARGE SHALL OBTAIN OSHPD APPROVAL FOR ANY SUBSTITUTIONS.
6. THESE OPD REFER TO FASTENER TYPE AND SIZE BUT DO NOT SPECIFY OR ENDORSE A SPECIFIC MANUFACTURER. THE RDP IN RESPONSIBLE CHARGE SHALL SELECT A MANUFACTURER, AND SELECTED FASTENER CAPACITIES SHALL MATCH OR EXCEED THE ALLOWABLE STRENGTHS LISTED HEREIN. THE FOLLOWING REQUIREMENTS SHALL ALSO BE MET:
 - A. SHEET METAL SCREWS SHALL COMPLY WITH ASTM C 1513-10, ASME B18.6.4-98 (R2005) AND ICC-ES AC 118 AND ALLOWABLE STRENGTH SHALL BE BASED ON INFORMATION PROVIDED IN ST1.07 AND ST1.08. PENETRATION OF SCREWS THROUGH JOINED MATERIAL SHALL NOT BE LESS THAN THREE EXPOSED THREADS.
 - B. WELDING SHALL BE IN ACCORDANCE WITH AWS D1.3 USING E60XX SERIES ELECTRODES. ALL FIELD WELDING SHALL HAVE SPECIAL INSPECTION IN ACCORDANCE WITH 2013 CBC 1705A.2.

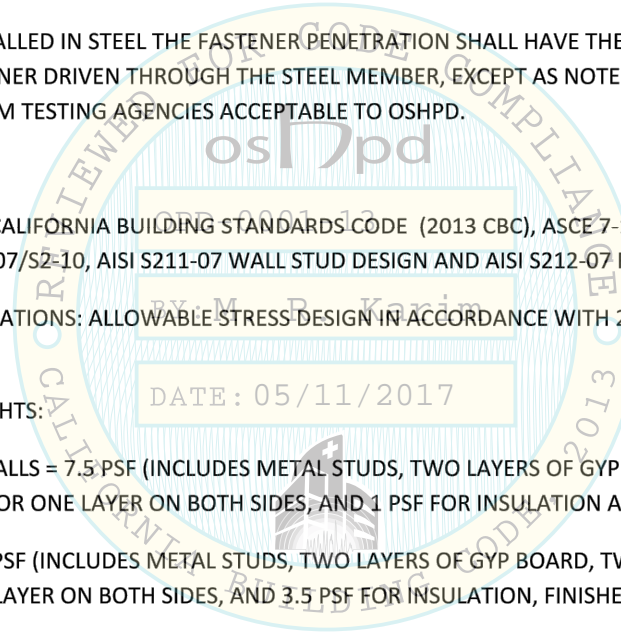


SECTION TITLE: STANDARD PARTITION WALL DETAILS		
SHEET TITLE: GENERAL NOTES - PAGE 1 OF 3		OPD NO.: ST0.00

- C. POST-INSTALLED ANCHORS (E.G. EXPANSION ANCHORS, SCREW ANCHORS, AND POWER-ACTUATED FASTENERS) SHALL HAVE SPECIAL INSPECTION AND TESTING IN ACCORDANCE WITH THE 2013 CBC SECTIONS 1705A.3 & 1913A.7. FOR QUALIFICATION, DESIGN AND USE OF POST-INSTALLED ANCHORS IN CONCRETE, SEE THE 2013 CBC SECTIONS 1616A.1.19 AND 1908A.1.1 LISTING OF CURRENT ICC-ES EVALUATION REPORTS (OR REPORTS FROM OTHER TESTING AGENCIES ACCEPTABLE TO OSHPD) SHALL BE REQUIRED FOR FASTENERS USED.
- D. POWER-ACTUATED FASTENERS (PAF), POWDER DRIVEN FASTENERS (PDF), POWER DRIVEN PINS (PDP) AND SHOT PINS ALL REPRESENT THE SAME DEVICE AND WILL HEREAFTER BE REFERRED TO AS POWER ACTUATED FASTENERS (PAF). PAF SHALL SATISFY THE CURRENT AC70-ACCEPTANCE CRITERIA FOR FASTENERS POWER-DRIVEN INTO CONCRETE, STEEL AND MASONRY ELEMENTS AND THE 2013 CBC SECTION 1908A.1.1. LISTING OF CURRENT ICC-ES EVALUATION REPORTS (OR REPORTS FROM OTHER TESTING AGENCIES ACCEPTABLE TO OSHPD) SHALL BE REQUIRED FOR FASTENERS USED.
- E. FOR PAF INSTALLED IN STEEL THE FASTENER PENETRATION SHALL HAVE THE ENTIRE POINTED END OF THE FASTENER DRIVEN THROUGH THE STEEL MEMBER, EXCEPT AS NOTED IN CURRENT REPORTS FROM TESTING AGENCIES ACCEPTABLE TO OSHPD.

7. DESIGN CRITERIA

- A. CODE: 2013 CALIFORNIA BUILDING STANDARDS CODE (2013 CBC), ASCE 7-10 WITH SUPPLEMENT #1, AISI S100-07/S2-10, AISI S211-07 WALL STUD DESIGN AND AISI S212-07 FOR HEADER DESIGN.
- B. LOAD COMBINATIONS: ALLOWABLE STRESS DESIGN IN ACCORDANCE WITH 2013 CBC SECTION 1605A.3.1.
- C. SYSTEM WEIGHTS:
 - PARTITION WALLS = 7.5 PSF (INCLUDES METAL STUDS, TWO LAYERS OF GYP BOARD, TWO LAYERS ON ONE SIDE OR ONE LAYER ON BOTH SIDES, AND 1 PSF FOR INSULATION AND FINISHES)
 - SOFFITS = 10 PSF (INCLUDES METAL STUDS, TWO LAYERS OF GYP BOARD, TWO LAYERS ON ONE SIDE OR ONE LAYER ON BOTH SIDES, AND 3.5 PSF FOR INSULATION, FINISHES AND MINOR FIXTURES)
 - DOORS AND WINDOWS = 10 PSF
 - CABINETS = 38 PCF (INCLUDES CONTENTS AT 33 PCF PER 2013 CBC TABLE 1607A.1 AND CABINET SELF WEIGHT OF 5 PCF)
 - EQUIPMENT = 38 PCF (EQUIPMENT LOAD IS ASSUMED TO BE THE SAME AS CABINET LOAD)



SECTION TITLE: STANDARD PARTITION WALL DETAILS		
SHEET TITLE: GENERAL NOTES - PAGE 2 OF 3		OPD NO.:
		ST0.01

D. SEISMIC COEFFICIENTS:

$a_p = 1.0$ (ASCE 7-10, TABLE 13.5-1, CEILINGS, PARTITIONS, CABINETS, ETC.)

$R_p = 2.5$ (ASCE 7-10, TABLE 13.5-1, CEILINGS, PARTITIONS, CABINETS, ETC.)

$\Omega_o = 2.5$ (ASCE 7-10, TABLE 13.5-1, CEILINGS, PARTITIONS, CABINETS, ETC.)

$I_p = 1.5$ (ASCE 7-10, SECTION 13.1.3)

$z/h = 1.0$ (ALLOWS FOR INSTALLATION AT ANY FLOOR OR ROOF LEVEL OF THE BUILDING)

$F_p =$ LARGER OF 5 PSF IN ACCORDANCE WITH 2013 CBC SECTION 1607A.14 OR SEISMIC DESIGN FORCE IN ACCORDANCE WITH ASCE 7-10 SECTION 13.3.1

$F_v = 0.2S_{Ds}D$ (ASCE 7-10, SECTION 13.3.1), APPLIED CONCURRENTLY WITH F_p

$\rho = 1.0$ (ASCE 7-10, SECTION 13.3.1)

S_{Ds} - WHERE LIMITING S_{Ds} VALUES ARE NOT EXPLICITLY NOTED IN THE OPD, FRAMING SYSTEM OR COMPONENT SHOWN IN THE OPD HAS BEEN DESIGNED TO ACCOMMODATE ALL S_{Ds} VALUES UP TO 1.95g. PROJECT SPECIFIC DESIGN IS REQUIRED FOR S_{Ds} HIGHER THAN 1.95g.

E. DEFLECTION LIMIT = $L/120$ (2013 CBC TABLE 1604A.3, INTERIOR PARTITION WALLS WITH FLEXIBLE FINISHES). NOT PERMITTED FOR INTERIOR PARTITION WALLS WITH BRITTLE FINISHES.

F. FASTENER ALLOWABLE STRENGTH TABLES WERE DEVELOPED BASED ON ICC REPORTS BY MULTIPLE MANUFACTURERS.

G. THE OPD DESIGN ASSUMES THAT STRUCTURAL ELEMENTS AND SUPPORTS TO WHICH THE COMPONENTS ARE ANCHORED HAVE SUFFICIENT CAPACITY TO CARRY THE LOADS IMPOSED BY THE COMPONENTS IN COMBINATION WITH ALL OTHER LOADS. EVALUATION OF THE CAPACITY OF THESE SUPPORTING STRUCTURAL ELEMENTS IS BEYOND THE SCOPE OF THE OPD.

H. LG BEAMER 8.10 SOFTWARE WAS USED FOR STUD CAPACITY CHECK. THIS SOFTWARE USES AISI S100-07/S2-10 AS THE BASIS FOR SECTION PROPERTY CALCULATIONS AND INTERACTION CHECKS.

8. THE RDP IN RESPONSIBLE CHARGE SHALL VERIFY FIRE RESISTIVE AND ACOUSTICAL RATINGS FOR ALL PARTITION WALL ASSEMBLIES.

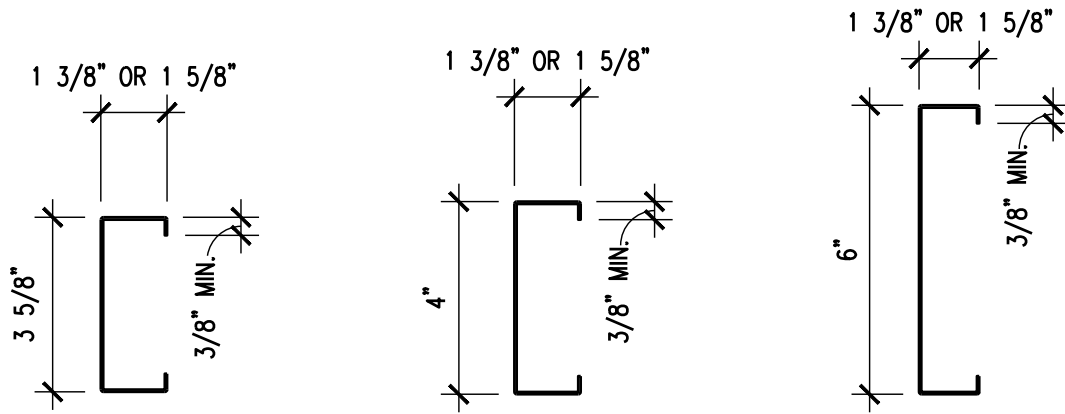
9. INDIVIDUAL DETAILS WITHIN THIS OPD TYPICALLY RELY UPON OTHER DETAILS FOR INFORMATION ESSENTIAL TO THEIR APPLICATION. OPD ARE TO BE USED IN CONJUNCTION WITH ALL RELATED, APPLICABLE DETAILS WITHIN THIS OPD PACKAGE INCLUDING THE GENERAL NOTES.

10. OPD PROVIDE OPTIONS FOR COMPONENTS SUCH AS STUD SIZES, BRACES SIZES, FASTENERS, ETC. THE RDP IN RESPONSIBLE CHARGE SHALL CLEARLY IDENTIFY ALL COMPONENTS SELECTED FOR USE IN THE PROJECT-SPECIFIC CONDITIONS.

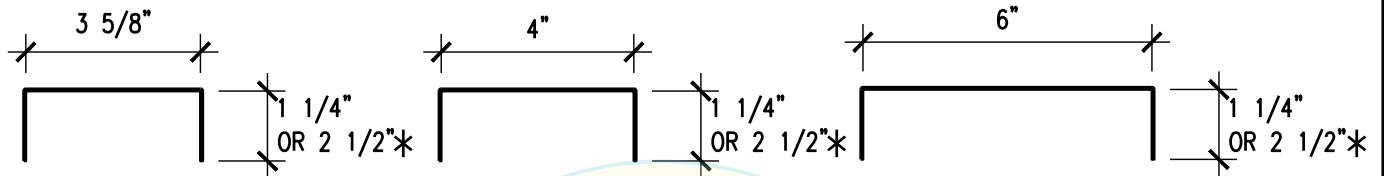
SECTION TITLE:
STANDARD PARTITION WALL DETAILS

SHEET TITLE:
GENERAL NOTES - PAGE 3 OF 3

OPD NO.:
ST0.02



STRUCTURAL STUD ('S'-SECTIONS)



STRUCTURAL TRACK ('T'-SECTIONS)

* - DEEP LEG TRACK (WHERE OCCURS AS NOTED IN DETAILS)

DESIGNATION THICKNESS (MILS)	REFERENCE ONLY GAUGE NO.
18	25
27	22
33	20
43	18
54	16
68	14
97	12
118	10

NOTES:

1. SEE WALL STUD FRAMING SECTIONS FOR THICKNESS OF STUDS & TRACKS.
2. $F_y = 50\text{KSI}$ FOR 54 MIL (16GA) & THICKER SECTIONS, AND $F_y = 33\text{KSI}$ FOR SECTIONS UP TO & INCLUDING 43 MIL (18GA).
3. SIZES AND THICKNESS ARE CONSIDERED MINIMUMS.
4. STRUCTURAL STUDS MAY BE PUNCHED UNLESS NOTED OTHERWISE. STRUCTURAL TRACK SHALL BE UNPUNCHED UNLESS NOTED OTHERWISE.

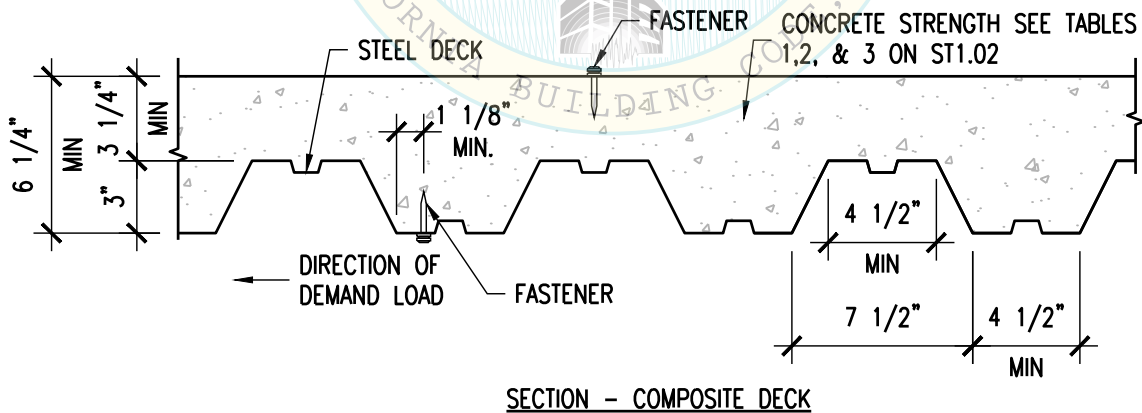
SECTION TITLE:
STANDARD PARTITION WALL DETAILS

SHEET TITLE:
METAL STUD PROFILES

OPD NO.:
ST1.00

POWER ACTUATED FASTENER (PAF) GENERAL NOTES (INSTALLED IN CONCRETE FILLED METAL DECK OR CONC SLAB)

1. POWER ACTUATED FASTENER (PAF), POWDER DRIVEN FASTENERS (PDF), POWER DRIVEN PINS (PDP), SHOT PINS ALL REPRESENT THE SAME FASTENER AND WILL HEREAFTER BE REFERRED TO AS POWER ACTUATED FASTENERS (PAF).
2. ALLOWABLE STRENGTHS SHALL BE COMPARED TO ALLOWABLE STRESS DESIGN (ASD) LEVEL DEMAND IN ACCORDANCE WITH THE 2013 CBC SECTION 1605A.3.1.
3. ALLOWABLE STRENGTHS ARE FOR A SINGLE FASTENER WHICH MEET REQUIREMENTS PER SECTION BELOW AND TABLES ON ST1.02. THE ALLOWABLE STRENGTHS ARE BASED UPON THE LEAST OF THE ALLOWABLE STRENGTHS LISTED IN THE ICC ESRS 1799, 2024, 2138, & 2269.
4. MINIMUM CONCRETE STRENGTH $f'_c=2000$ PSI FOR NORMAL WEIGHT CONCRETE AND $f'_c=3000$ PSI FOR ALL LIGHT WEIGHT CONCRETE UNLESS NOTED OTHERWISE.
5. POWER ACTUATED FASTENER INSTALLED THROUGH LOW FLUTES OF THE METAL DECK SHALL MEET THE REQUIREMENTS OF THE INSTALLATION CRITERIA AND SECTION BELOW.
6. MINIMUM EDGE DISTANCE OF $1 \frac{1}{8}$ " FROM THE EDGE OF METAL DECK WEB AND 4" FROM THE EDGE OF THE DECK.
7. STEEL DECK TO BE A MINIMUM OF 20GA.
8. CONCRETE FILL DEPTH ABOVE THE TOP OF METAL DECK MUST BE A MINIMUM OF $3 \frac{1}{4}$ " AT LIGHT WEIGHT CONCRETE COMPOSITE METAL DECK.
9. PAF SHALL NOT BE USED TO RESIST SEISMIC SHEAR FORCES EXCEPT AT INTERIOR NON-LOAD BEARING, NON-SHEAR WALL PARTITION WALLS (AS PERMITTED BY 2013 CBC SECTION 1908A.1.1) AND COMPONENTS EXEMPT FROM CONSTRUCTION DOCUMENT REVIEW BY 2013 CBC SECTION 1616A.1.18 (NOT PERMITTED TO TAKE SEISMIC SHEAR BY ICC-ES AC70 FOR ANY OTHER CONDITIONS). PAF SHALL NOT BE USED TO CARRY SEISMIC TENSION LOADS (EXCEPT FOR VERTICAL SEISMIC LOAD PRODUCED BY SELF WEIGHT OF THE COMPONENTS) OR IN CRACKED CONCRETE UNLESS APPROVED FOR SUCH LOADING BY OSHPD.
10. PAF SHALL NOT BE USED IN PRE-STRESSED CONCRETE UNLESS NON-DESTRUCTIVE TESTING METHODS ARE USED TO LOCATE STRAND AND REINFORCEMENT PRIOR TO FASTENER INSTALLATION.
11. PAF INSTALLATION SHALL NOT NICK OR DAMAGE EXISTING CONCRETE REINFORCEMENT. SHOULD THIS OCCUR THE RDP IN RESPONSIBLE CHARGE SHALL BE NOTIFIED IMMEDIATELY. PAF SHALL BE INSTALLED 1" CLEAR OF EXISTING REINFORCEMENT. THIS MAY REQUIRE NON-DESTRUCTIVE TESTING.
12. PAF SHALL BE INSTALLED PER CURRENT ICC-ES EVALUATION REPORTS (OR REPORTS FROM OTHER TESTING AGENCIES ACCEPTABLE TO OSHPD).
13. TESTING OF PAF SHALL BE PER 2013 CBC SECTION 1913A.7. MINIMUM CONCRETE SUBSTRATE THICKNESS IS THREE TIMES THE PAF PENETRATION INTO THE CONCRETE SUBSTRATE.
14. TESTING IS NOT REQUIRED OF PAF USED TO ATTACHED TRACKS OF INTERIOR NON-SHEAR WALL PARTITIONS FOR SHEAR ONLY WHERE THERE ARE AT LEAST THREE FASTENERS.
15. TOTAL ALLOWABLE LOADS IN TENSION, SHEAR OR TENSION SHEAR COMBINATIONS SHALL NOT EXCEED 90 LB AS PERMITTED BY EXCEPTION TO THE ASCE 7-10 SECTION 13.4.5.
16. REFER TO NOTE 6D ON ST0.01 FOR ADDITIONAL PAF REQUIREMENTS.



**SECTION TITLE:
STANDARD PARTITION WALL DETAILS**

**SHEET TITLE:
POWER ACTUATED FASTENER (PAF)
GENERAL NOTES (INSTALLED IN CONCRETE
FILLED METAL DECK OR CONC SLAB)**

OPD NO.:
ST1.01

POWER ACTUATED FASTENER (PAF) ALLOWABLE STRENGTHS (INSTALLED IN CONCRETE FILLED METAL DECK OR CONC SLAB)

TABLE 1

POWER ACTUATED FASTENER INSTALLED IN SAND-LIGHTWEIGHT CONCRETE THROUGH METAL DECK (f'_c MIN=3000 PSI)

NOMINAL SHANK DIAMETER (IN)	MIN. EMBED (IN)	MIN. SPACING (IN)	MIN. EDGE DISTANCE (IN)	TENSION (LB) (SEE NOTE 15)	SHEAR (LB) (SEE NOTE 15)
0.145 MIN	1 1/4	5.1	4	90	90

TABLE 2

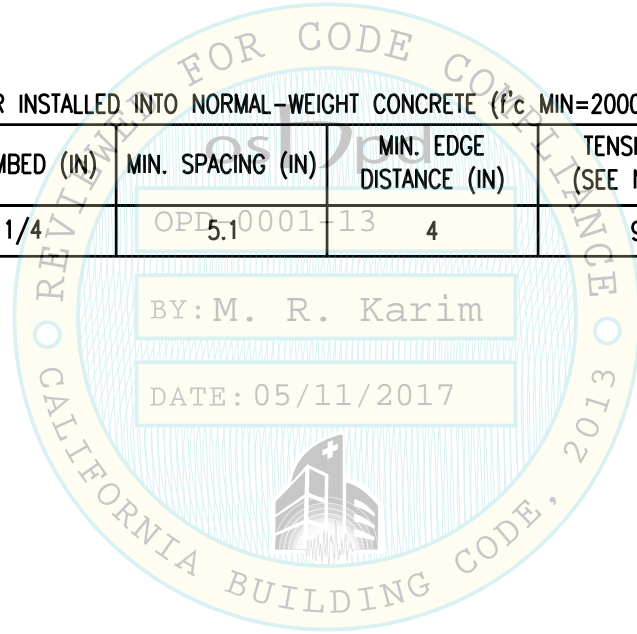
POWER ACTUATED FASTENER INSTALLED INTO STRUCTURAL SAND-LIGHTWEIGHT CONCRETE (f'_c MIN=3000 PSI)

NOMINAL SHANK DIAMETER (IN)	MIN. EMBED (IN)	MIN. SPACING (IN)	MIN. EDGE DISTANCE (IN)	TENSION (LB) (SEE NOTE 15)	SHEAR (LB) (SEE NOTE 15)
0.145 MIN	1 1/4	5.1	4	90	90

TABLE 3

POWER ACTUATED FASTENER INSTALLED INTO NORMAL-WEIGHT CONCRETE (f'_c MIN=2000 PSI)

NOMINAL SHANK DIAMETER (IN)	MIN. EMBED (IN)	MIN. SPACING (IN)	MIN. EDGE DISTANCE (IN)	TENSION (LB) (SEE NOTE 15)	SHEAR (LB) (SEE NOTE 15)
0.145 MIN	1 1/4	5.1	4	90	90



SECTION TITLE:

STANDARD PARTITION WALL DETAILS

SHEET TITLE:

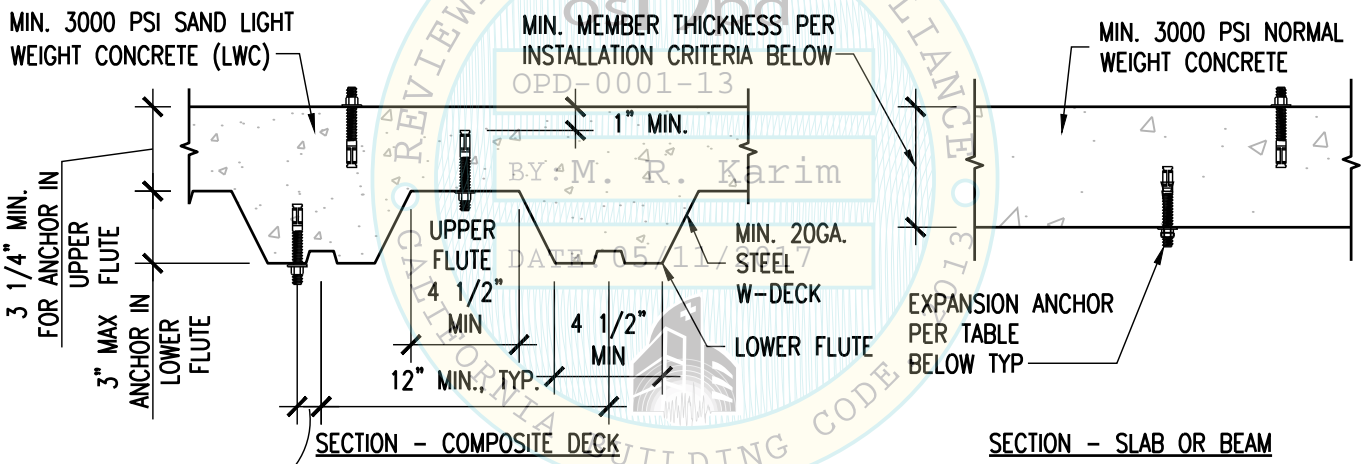
**POWER ACTUATED FASTENER (PAF)
ALLOWABLE STRENGTHS (INSTALLED IN
CONC FILLED METAL DECK OR CONC SLAB)**

OPD NO.:

ST1.02

EXPANSION ANCHOR GENERAL NOTES

1. ALLOWABLE STRENGTHS SHALL BE COMPARED TO ALLOWABLE STRESS DESIGN (ASD) LEVEL DEMAND IN ACCORDANCE WITH THE 2013 CBC SECTION 1605A.3.1.
2. ALLOWABLE STRENGTHS ARE FOR SINGLE ANCHORS WHICH MEET MIN. REQUIREMENTS PER TABLE & SECTION BELOW.
3. MINIMUM CONCRETE STRENGTH $f'c=3000$ PSI.
4. EXPANSION ANCHORS INSTALLED THROUGH UPPER OR LOWER FLUTES OF METAL DECK SHALL MEET THE REQUIREMENTS OF THE INSTALLATION CRITERIA AND SECTION BELOW.
5. STEEL DECK TO BE MIN. 20 GA. W-DECK.
6. MINIMUM CONCRETE FILL DEPTH ABOVE THE TOP OF METAL DECK PER SECTION AND INSTALLATION CRITERIA BELOW.
7. EXPANSION ANCHORS SHALL NOT BE USED IN PRE-STRESSED CONCRETE UNLESS NON-DESTRUCTIVE TESTING METHODS ARE USED TO LOCATE STRAND & REINFORCING PRIOR TO ANCHOR INSTALLATION.
8. EXPANSION ANCHOR INSTALLATION SHALL NOT NICK OR DAMAGE EXISTING REINFORCEMENT. SHOULD THIS OCCUR THE RDP IN RESPONSIBLE CHARGE SHALL BE NOTIFIED IMMEDIATELY. EXPANSION ANCHORS SHALL BE INSTALLED 1" CLEAR OF EXISTING REINFORCEMENT.
9. EXPANSION ANCHORS SHALL BE INSTALLED PER CURRENT ICC-ES EVALUATION REPORT OR REPORT FROM OTHER TESTING AGENCY ACCEPTABLE TO OSHPD.
10. TESTING OF EXPANSION ANCHORS SHALL BE PER 2013 CBC SECTION 1913A.7.
11. EXPANSION ANCHORS SHALL BE INSTALLED TO COMPLY W/ THE MINIMUM SLAB THICKNESS REQUIREMENTS ESTABLISHED BY THE ICC-ESR FOR THE SPECIFIED ANCHOR.
12. REFER TO NOTE 6C ON ST0.01 FOR ADDITIONAL EXPANSION ANCHOR REQUIREMENTS.
13. ALL VALUES IN TABLES ARE FOR CRACKED CONCRETE & INCLUDE REDUCTION BASED ON ACI 318-11 D3.3.4 REQUIREMENTS. THE ALLOWABLE STRENGTHS ARE BASED UPON THE LEAST OF THE ALLOWABLE STRENGTHS CALCULATED USING THE ICC ESRs 1917, 2427, 2502, & 3037 AND USING AN α FACTOR OF 1.4.
14. ALL VALUES IN TABLES REFLECT THE ALLOWABLE STRENGTHS WITH 20% ALLOWABLE STRESS INCREASE FOR LOAD COMBINATIONS WITH OVERSTRENGTH FACTOR IN ACCORDANCE WITH ASCE 7-10 SECTION 12.4.3.3.



EXPANSION ANCHORS INSTALLATION CRITERIA

	NOMINAL ANCHOR DIAMETER (IN)				
	3/8	1/2	5/8	1	1 1/8
EFFECTIVE MIN. EMBEDMENT (IN)	2	2 1/4	3 1/4	3 1/8	4
MIN. MEMBER THICKNESS NWC SLAB OR BEAM ONLY (IN)	4.5	4.5	6	6	7 1/4
MIN. ANCHOR SPACING (3 x EMBED) (IN)	6 3/4	6 3/4	9 3/4	9 3/8	12
MIN. EDGE DISTANCE (IN)	6	7	7 1/2	6 1/2	8 3/4

SECTION TITLE:
STANDARD PARTITION WALL DETAILS

SHEET TITLE:
EXPANSION ANCHOR GENERAL NOTES

OPD NO.:

ST1.03

EXPANSION ANCHOR ALLOWABLE STRENGTHS

TABLE 1

EXPANSION ANCHORS INSTALLED IN TO THE UNDERSIDE OF STRUCTURAL SAND-LIGHTWEIGHT CONCRETE (f'c MIN=3000 PSI) OVER METAL DECK

ANCHOR DIA. (IN)	EMBED (IN)	SHEAR (LB)	TENSION (LB)
3/8	2	747	604
1/2	2 1/4	1029	610
1/2	3 1/4	1173	1086
5/8	3 1/4	1353	836
5/8	4 1/4	2477	1941

TABLE 2

EXPANSION ANCHORS INSTALLED IN TO THE TOP OF STRUCTURAL SAND-LIGHTWEIGHT CONCRETE (f'c MIN=3000 PSI) OVER METAL DECK

ANCHOR DIA. (IN)	EMBED (IN)	SHEAR (LB)	TENSION (LB)
3/8	2	806	624
1/2	2 1/4	948	660

TABLE 3

EXPANSION ANCHORS INSTALLED IN NORMAL WEIGHT CONCRETE (f'c MIN=3000 PSI)

ANCHOR DIA. (IN)	EMBED (IN) : M.	R. SHEAR (LB) m	TENSION (LB)
3/8	2	1020	961
1/2	2 1/4	1580	1101
1/2	3 1/4	2591	2003
5/8	3 1/4	2579	2150
5/8	4 1/4	3772	3113

SECTION TITLE:

STANDARD PARTITION WALL DETAILS

SHEET TITLE:

EXPANSION ANCHOR ALLOWABLE STRENGTHS

OPD NO.:

ST1.04

POWER ACTUATED FASTENER (PAF) GENERAL NOTES (INSTALLED IN STEEL)

1. MINIMUM STEEL TENSILE STRENGTH $F_u=58$ KSI.
2. MINIMUM SPACING 1 INCH.
3. MINIMUM EDGE DISTANCE 1/2 INCH.
4. USE KNURLED SHANK.
5. POWER ACTUATED FASTENERS (PAF) SHALL BE INSTALLED PER CURRENT ICC-ES EVALUATION REPORTS OR REPORTS FROM OTHER TESTING AGENCIES ACCEPTABLE TO OSHPD.
6. SEE GENERAL NOTE 6D & E ON ST0.01 FOR PAF REQUIREMENTS & ATTACHMENT TO STEEL.
7. POWER POWER ACTUATED FASTENER (PAF), POWDER DRIVEN FASTENERS (PDF), POWER DRIVEN PINS (PDP), SHOT PINS, ARE COMMON NOMINCLATURES THAT ALL REPRESENT THE SAME FASTENER.
8. ALLOWABLE STRENGTHS SHALL BE COMPARED TO ALLOWABLE STRESS DESIGN (ASD) LEVEL DEMAND IN ACCORDANCE WITH THE 2013 CBC SECTION 1605A.3.1.
9. ALLOWABLE STRENGTHS ARE FOR SINGLE FASTENER, WHICH MEETS THE REQUIREMENTS PER NOTES ABOVE. THE ALLOWABLE STRENGTHS ARE BASED UPON THE LEAST OF THE ALLOWABLE STRENGTHS LISTED IN THE ICC ESRS 1799, 2024, 2138 & 2269.
10. TOTAL ALLOWABLE TENSION, SHEAR OR TENSION SHEAR COMBINATION SHALL NOT EXCEED 250 LB AS REQUIRED BY THE EXCEPTION TO ASCE 7-10 SECTION 13.4.5.
11. LIMIT USE TO INTERIOR NON-BEARING, NON-SHEAR WALL PARTITIONS AND COMPONENTS EXEMPT FROM CONSTRUCTION DOCUMENTS REVIEW BY THE 2013 CBC SECTION 1616A.1.18 (NOT PERMITTED TO TAKE SEISMIC SHEAR BY ICC-ES AC 70 FOR ANY OTHER CONDITIONS.)

POWER ACTUATED FASTENER (PAF) ALLOWABLE STRENGTHS (INSTALLED IN STEEL)

NOMINAL SHANK DIAMETER (IN)	STEEL THICKNESS (IN)							
	3/16		1/4		3/8		1/2	
	TENSION (LB)	SHEAR (LB)	TENSION (LB)	SHEAR (LB)	TENSION (LB)	SHEAR (LB)	TENSION (LB)	SHEAR (LB)
0.145 MIN	155	250	230	250	250	250	190	220

DATE: 05/11/2017

SECTION TITLE:

STANDARD PARTITION WALL DETAILS

SHEET TITLE:

**POWER ACTUATED FASTENER
GENERAL NOTES AND ALLOWABLE
STRENGTHS (INSTALLED IN STEEL)**

OPD NO.:

ST1.05

PLOT DATE: May 09, 2017

SHEET METAL SCREW (SMS) GENERAL NOTES

1. THE ALLOWABLE STRENGTHS ARE BASED UPON THE AISI S100-07/S2-10 AND ARE LIMITED BY ACTUAL TESTED STRENGTH OF THE SCREWS IN TENSION AND SHEAR.
2. THE ALLOWABLE STRENGTHS ARE BASED UPON THE LEAST OF THE AVERAGE TESTED TENSILE AND SHEAR STRENGTHS TABULATED FROM ICC ESR'S 1976, 2196, 1730, 1408, AND THE STEEL STUD MANUFACTURER'S ASSOCIATION (SSMA). FASTENER TYPES AND SIZES APPLY TO NON-PROPRIETARY FASTENER TYPES AND SIZES, AND DOES NOT ENDORSE A SPECIFIC MANUFACTURER. WHERE PROPRIETARY FASTENERS ARE SPECIFIED, NO EXCEPTIONS ARE TAKEN TO THE USE OF MANUFACTURER SPECIFIC VALUES THAT ARE BASED UPON THE AISI S100-07/S2-10, SECTION E4. ALL SCREW FASTENERS SHALL SATISFY ICC-ES AC118-ACCEPTANCE CRITERIA FOR SELF TAPPING SCREW FASTENERS.
3. TABLE 1 REPRESENTS ALLOWABLE TENSION AND SHEAR STRENGTHS FOR NON-PROPRIETARY SHEET METAL SCREWS FOR STEEL TO STEEL CONNECTIONS.
4. TABLE 2 AND 3 REPRESENT ALLOWABLE TENSION AND SHEAR STRENGTHS THAT INCORPORATE THE EFFECTS OF EITHER ONE OR TWO LAYERS OF 5/8" GYPSUM BOARD BETWEEN FASTENER HEAD AND CONNECTING STEEL MATERIAL.
5. IN ORDER TO USE THE VALUES IN TABLES 1, 2, AND 3, THE ATTACHMENTS SHALL BE DETAILED IN SUCH A WAY AS TO AVOID PRYING AND THE STUDS MUST BE STABILIZED WITH FULL-DEPTH BLOCKING WITH CONTINUOUS STRAPS ALONG THE FLANGES OR WITH BACKING BARS.
6. PENETRATION OF SCREWS THROUGH JOINED MATERIAL SHOULD NOT BE LESS THAN 3 EXPOSED THREADS.
7. STEEL THICKNESSES JOINED ARE ASSUMED TO BE THE SAME. IF DISSIMILAR THICKNESSES ARE BEING CONNECTED, THE VALUE FOR THE THINNER PART JOINED SHALL BE USED.
8. THE MINIMUM SPACING BETWEEN CENTERS OF FASTENERS SHALL NOT BE LESS THAN 3 X FASTENER DIAMETER. THE MINIMUM EDGE DISTANCE FROM THE CENTER OF A FASTENER TO THE EDGE OF ANY PART SHALL NOT BE LESS THAN 1.5 X FASTENER DIAMETER. WHERE THE END DISTANCE IS PARALLEL TO THE FORCE ON THE FASTENER, THE NOMINAL SHEAR STRENGTH SHALL BE LIMITED BY SECTION E4.3.2 OF THE AISI S100-07/S2-10.
9. GALVANIZED METAL STUDS, TRACK AND SHEET STEEL SHALL CONFORM TO ASTM A653-09a MATERIAL (OR OTHER EQUIVALENT ASTM LISTED MATERIALS IN THE AISI S100-07/S2-10, SECTION A2.1) WITH A MINIMUM YIELD STRENGTH OF 33 KSI FOR 43 MIL (18 GA) AND LIGHTER, AND MINIMUM YIELD STRENGTH OF 50 KSI FOR 54 MIL (16 GA) & HEAVIER.
10. WHERE VALUES ARE NOT GIVEN, SUCH COMBINATIONS OF SCREW SIZES & MATERIAL THICKNESS ARE NOT RECOMMENDED.
11. IF THE ATTACHMENT DETAILS RESULT IN PRYING WITH A MOMENT ARM NOT TO EXCEED 1 5/8", THE VALUES IN TABLE 4 MAY BE USED. IF THE ATTACHMENT DETAILS RESULT IN PRYING WITH A MOMENT ARM THAT EXCEEDS 1 5/8", THE REREGISTERED DESIGN PROFESSIONAL IN RESPONSIBLE CHARGE OF THE PROJECT SHALL DETERMINE THE ALLOWABLE VALUES AND SUBMIT SUBSTANTIATION FOR THEM TO OSHPD FOR REVIEW.
12. INTERACTION OF SHEAR AND TENSION SHALL BE BASED ON $T/T_{ALL} + V/V_{ALL} \leq 1.0$.
13. REFER TO NOTE 6A ON STO.00 FOR ADDITIONAL SHEET METAL SCREW REQUIREMENTS.

SECTION TITLE: STANDARD PARTITION WALL DETAILS			
SHEET TITLE: SHEET METAL SCREW GENERAL NOTES			OPD NO.: ST1.06

SHEET METAL SCREW (SMS) ALLOWABLE STRENGTHS

TABLE 1

SHEET METAL SCREW ALLOWABLE STRENGTHS FOR STEEL TO STEEL CONNECTIONS.

FASTENER SIZE											
F _y (KSI)	MIL (STEEL GA)	NO. 14		NO. 12		NO. 10		NO. 8		NO. 6	
		0.250 IN		0.216 IN		0.190 IN		0.164 IN		0.138 IN	
		SHEAR (LB)	TENSION (LB)	SHEAR (LB)	TENSION (LB)	SHEAR (LB)	TENSION (LB)	SHEAR (LB)	TENSION (LB)	SHEAR (LB)	TENSION (LB)
50	97 (12)	704	275	525	205						
	68 (14)	704	275	525	205	405	159				
	54 (16)	613	261	525	205	405	159	303	118		
33	43 (18)	302	144	280	124	263	109	244	94	165	79
	33 (20)					177	84	164	72	151	61

NOTES:

- SEE GENERAL NOTES ON ST1.06 FOR MORE INFORMATION.
- WHERE ONE OR TWO LAYERS OF GYP BOARD OCCURS BETWEEN STEEL SURFACES, THE ALLOWABLE VALUES OF TABLE 2 & 3 SHALL BE USED.
- ALLOWABLE STRENGTH VALUES DO NOT ACCOUNT FOR EFFECTS FROM PRYING. THE RDP IN RESPONSIBLE CHARGE OF THE PROJECT SHALL PROVIDE ADEQUATE BLOCKING/RESTRAINT TO PREVENT PRYING ACTION. WHERE PRYING OCCURS, THE VALUES AND CONSTRAINTS OF TABLE 4 SHALL BE USED.

TABLE 2 - NON-PRYING CONDITION

SHEET METAL SCREW ALLOWABLE STRENGTHS FOR STEEL TO STEEL CONNECTIONS WITH ONE LAYER OF 5/8" GYP BOARD BETWEEN STEEL SURFACES.

FASTENER SIZE											
F _y (KSI)	MIL (STEEL GA)	NO. 14		NO. 12		NO. 10		NO. 8		NO. 6	
		0.250 IN		0.216 IN		0.190 IN		0.164 IN		0.138 IN	
		SHEAR (LB)	TENSION (LB)	SHEAR (LB)	TENSION (LB)	SHEAR (LB)	TENSION (LB)	SHEAR (LB)	TENSION (LB)	SHEAR (LB)	TENSION (LB)
50	97 (12)	226	275	180	205						
	68 (14)	226	275	180	205	140	159				
	54 (16)	226	261	180	205	140	159	120	118		
33	43 (18)	226	144	180	124	140	109	120	94	60	79
	33 (20)					100	84	80	72	60	61

NOTES:

- SEE GENERAL NOTES ON ST1.06 FOR MORE INFORMATION.
- ALLOWABLE STRENGTH VALUES DO NOT ACCOUNT FOR EFFECTS FROM PRYING. RDP IN RESPONSIBLE CHARGE TO PROVIDE ADEQUATE BLOCKING/RESTRAINT TO PREVENT PRYING ACTION. WHERE PRYING OCCURS, THE VALUES AND CONSTRAINTS OF TABLE 4 SHALL BE USED.

SECTION TITLE:

STANDARD PARTITION WALL DETAILS

SHEET TITLE:

SHEET METAL SCREW ALLOWABLE STRENGTHS

OPD NO.:

ST1.07

SHEET METAL SCREW (SMS) ALLOWABLE STRENGTHS (CONTINUED)

TABLE 3 – NON-PRying CONDITION

SHEET METAL SCREW ALLOWABLE STRENGTHS FOR STEEL TO STEEL CONNECTIONS WITH TWO LAYERS OF 5/8" GYP BOARD BETWEEN STEEL SURFACES.

F _y (KSI)	MIL (STEEL GA)	FASTENER SIZE									
		NO. 14		NO. 12		NO. 10		NO. 8		NO. 6	
		0.250 IN		0.216 IN		0.190 IN		0.164 IN		0.138 IN	
		SHEAR (LB)	TENSION (LB)	SHEAR (LB)	TENSION (LB)	SHEAR (LB)	TENSION (LB)	SHEAR (LB)	TENSION (LB)	SHEAR (LB)	TENSION (LB)
50	97 (12)	166	275	130	205						
	68 (14)	166	275	130	205	100	159				
	54 (16)	166	261	130	205	100	159	80	118		
33	43 (18)	166	144	130	124	100	109	80	94	50	79
	33 (20)					70	84	50	72	40	61

NOTES:

- SEE GENERAL NOTES ON ST1.06 FOR MORE INFORMATION.
- ALLOWABLE STRENGTH VALUES DO NOT ACCOUNT FOR EFFECTS FROM PRying. RDP IN RESPONSIBLE CHARGE TO PROVIDE ADEQUATE BLOCKING/RESTRAINT TO PREVENT PRying ACTION. WHERE PRying OCCURS, THE VALUES AND CONSTRAINTS OF TABLE 4 SHALL BE USED.

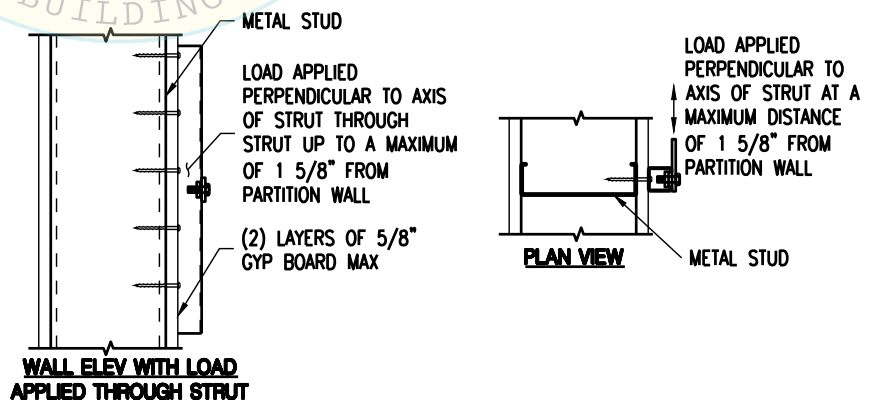
TABLE 4 – PRying CONDITION (SEE DETAILS BELOW – STRUT CAN BE HORIZONTAL OR VERTICAL)

SHEET METAL SCREW ALLOWABLE STRENGTHS FOR STEEL TO STEEL CONNECTIONS WITH ONE OR TWO LAYERS OF 5/8" GYP BOARD BETWEEN STEEL SURFACES AND MAXIMUM PRying MOMENT ARM OF 1 5/8".

F _y (KSI)	MIL (STEEL GA)	FASTENER SIZE									
		NO. 14		NO. 12		NO. 10		NO. 8		NO. 6	
		0.250 IN		0.216 IN		0.190 IN		0.164 IN		0.138 IN	
		SHEAR (LB)	TENSION (LB)	SHEAR (LB)	TENSION (LB)	SHEAR (LB)	TENSION (LB)	SHEAR (LB)	TENSION (LB)	SHEAR (LB)	TENSION (LB)
50	97 (12)	40	275	30	205						
	68 (14)	40	275	30	205	25	159				
	54 (16)	40	261	30	205	25	159	20	118		
33	43 (18)	40	144	30	124	25	109	20	94	10	79
	33 (20)					15	84	15	72	10	61

NOTES:

- SEE GENERAL NOTES ON ST1.06 FOR MORE INFORMATION.
- THE ALLOWABLE STRENGTH VALUES LISTED IN TABLE 4 ARE BASED UPON A LIMITED TEST ASSEMBLY WHERE THE ORIGIN AND DIRECTION OF THE LOAD RESULTS IN PRying UPON THE FASTENER. THE MAGNITUDE OF THIS PRying EFFECT SHALL BE LIMITED TO A MOMENT ARM OF 1 5/8" FROM THE FASTENER.



SECTION TITLE:

STANDARD PARTITION WALL DETAILS

SHEET TITLE:

SHEET METAL SCREW ALLOWABLE STRENGTHS (CONTINUED)

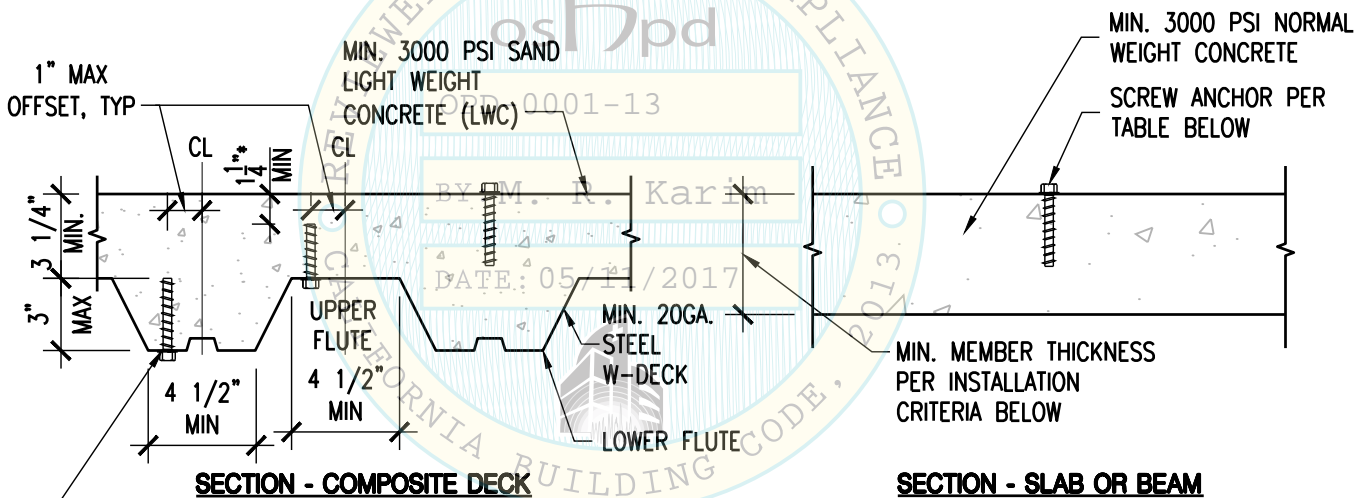
OPD NO.:

ST1.08

PLOT DATE: May 09, 2017

SCREW ANCHOR GENERAL NOTES

1. ALLOWABLE STRENGTHS SHALL BE COMPARED TO ALLOWABLE STRESS DESIGN (ASD) LEVEL DEMAND IN ACCORDANCE WITH THE 2013 CBC SECTION 1605A.3.1.
2. ALLOWABLE STRENGTHS ARE FOR SINGLE ANCHORS WHICH MEET MIN. REQUIREMENTS PER TABLE & SECTION BELOW.
3. MINIMUM CONCRETE STRENGTH $f'_c=3000$ PSI.
4. STEEL DECK TO BE MIN. 20 GA. W-DECK.
5. MINIMUM CONCRETE FILL DEPTH ABOVE THE TOP OF METAL DECK PER SECTION AND INSTALLATION CRITERIA BELOW.
6. SCREW ANCHORS SHALL NOT BE USED IN PRE-STRESSED CONCRETE UNLESS NON-DESTRUCTIVE TESTING METHODS ARE USED TO LOCATE STRAND & REINFORCING PRIOR TO ANCHOR INSTALLATION.
7. SCREW ANCHOR INSTALLATION SHALL NOT NICK OR DAMAGE EXISTING REINFORCEMENT. SHOULD THIS OCCUR THE RDP IN RESPONSIBLE CHARGE SHALL BE NOTIFIED IMMEDIATELY. SCREW ANCHORS SHALL BE INSTALLED 1" CLEAR OF EXISTING REINFORCEMENT.
8. SCREW ANCHORS SHALL BE INSTALLED PER CURRENT ICC-ES EVALUATION REPORT OR REPORT FROM OTHER TESTING AGENCIES ACCEPTABLE TO OSHPD.
9. TESTING OF SCREW ANCHORS SHALL BE PER 2013 CBC SECTION 1913A.7.
10. SCREW ANCHORS SHALL BE INSTALLED TO COMPLY W/ THE MINIMUM SLAB THICKNESS REQUIREMENTS ESTABLISHED BY THE ICC-ESR FOR THE SPECIFIED ANCHOR.
11. REFER TO NOTE 6C ON ST0.01 FOR ADDITIONAL SCREW ANCHOR REQUIREMENTS.
12. ALL VALUES IN TABLES ARE FOR CRACKED CONCRETE & INCLUDE REDUCTION BASED ON ACI 318-11 D3.3.4 REQUIREMENTS. THE ALLOWABLE STRENGTHS ARE BASED UPON THE LEAST OF THE ALLOWABLE STRENGTHS CALCULATED USING THE ICC ESRs 2526, 2713 & 3027 AND USING AN α FACTOR OF 1.4.
13. USE OF SCREW ANCHOR SHALL BE LIMITED TO DRY INTERIOR CONDITIONS. REUSE OF SCREW ANCHOR OR SCREW ANCHOR HOLE SHALL NOT BE PERMITTED.
14. ALL VALUES IN TABLES REFLECT THE ALLOWABLE STRENGTHS WITH 20% ALLOWABLE STRESS INCREASE FOR LOAD COMBINATIONS WITH OVERSTRENGTH FACTOR IN ACCORDANCE WITH ASCE 7-10 SECTION 12.4.3.3.



HOLE DIAMETER IN THE STEEL DECK MUST NOT EXCEED THE DIAMETER OF THE HOLE IN THE CONCRETE BY MORE THAN 1/8".

*FOR ESR 2526 & 2713, TOP CONCRETE COVER CAN BE REDUCED TO 3/4".

SCREW ANCHORS INSTALLATION CRITERIA

	NOMINAL ANCHOR DIAMETER (IN)				
	3/8	1/2	3/4	5/8	3/4
EFFECTIVE MIN. EMBEDMENT (IN)	2 1/2	2 1/2	3 1/2	3 1/4	5
MIN. MEMBER THICKNESS NWC SLAB OR BEAM ONLY (IN)	4 1/4	5	6	6	7
MIN. ANCHOR SPACING (IN)	3	3 1/2	3	5	4
MIN. EDGE DISTANCE (IN)	3 3/4	3 3/4	5 1/4	4 7/8	7 1/2

SECTION TITLE:
STANDARD PARTITION WALL DETAILS

SHEET TITLE:
SCREW ANCHOR GENERAL NOTES

OPD NO.:
ST1.09

SCREW ANCHOR ALLOWABLE STRENGTHS

TABLE 1

SCREW ANCHORS INSTALLED IN THE UNDERSIDE OF STRUCTURAL SAND-LIGHT WEIGHT CONCRETE (f'c MIN=3000 PSI) OVER METAL DECK

ANCHOR DIA. (IN)	EMBED (IN)	SHEAR (LB)	TENSION (LB)
3/8	2 1/2	465	364
1/2	2 1/2	496	343

TABLE 2

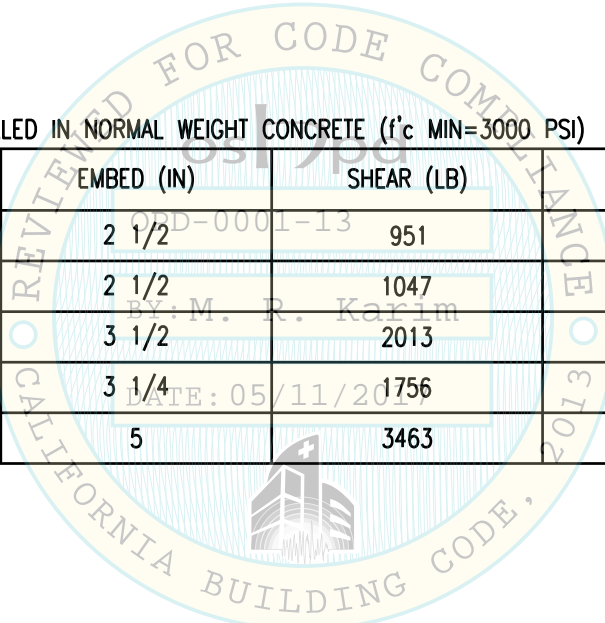
SCREW ANCHORS INSTALLED IN TO THE TOP OF STRUCTURAL SAND-LIGHTWEIGHT CONCRETE (f'c MIN=3000 PSI) OVER METAL DECK

ANCHOR DIA. (IN)	EMBED (IN)	SHEAR (LB)	TENSION (LB)
3/8	2 1/2	571	283
1/2	2 1/2	628	371

TABLE 3

SCREW ANCHORS INSTALLED IN NORMAL WEIGHT CONCRETE (f'c MIN=3000 PSI)

ANCHOR DIA. (IN)	EMBED (IN)	SHEAR (LB)	TENSION (LB)
3/8	2 1/2	951	497
1/2	2 1/2	1047	618
1/2	3 1/2	2013	1153
5/8	3 1/4	1756	1412
5/8	5	3463	1637



SECTION TITLE:
STANDARD PARTITION WALL DETAILS

SHEET TITLE:
SCREW ANCHOR DESIGN ALLOWABLE STRENGTHS

OPD NO.:
ST1.10

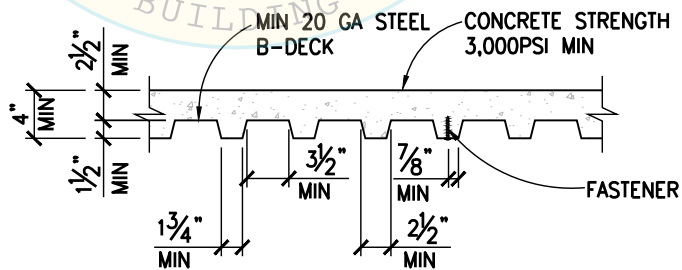
PLOT DATE: May 09, 2017

POWER ACTUATED FASTENER (PAF) GENERAL NOTES (INSTALLED IN CONCRETE FILLED METAL B-DECK)

1. POWER ACTUATED FASTENER (PAF), POWER DRIVEN FASTENERS (PDF), POWER DRIVEN PINS (PDP), SHOT PINS ALL REPRESENT THE SAME FASTENER AND WILL HEREAFTER BE REFERRED TO AS POWER ACTUATED FASTENERS (PAF).
2. ALLOWABLE STRENGTHS SHALL BE COMPARED TO ALLOWABLE STRESS DESIGN (ASD) LEVEL DEMAND IN ACCORDANCE WITH THE 2013 CBC SECTION 1605A.3.1.
3. ALLOWABLE STRENGTHS ARE FOR A SINGLE FASTENER WHICH MEET REQUIREMENTS PER SECTION BELOW AND TABLES ON ST1.12. THE ALLOWABLE STRENGTHS ARE BASED UPON THE LEAST OF THE ALLOWABLE STRENGTHS LISTED IN ICC ESRs 2024, 2138, & 2269.
4. MINIMUM CONCRETE STRENGTH $f'_c = 3000$ PSI FOR NORMAL WEIGHT CONCRETE AND $f'_c = 3000$ PSI FOR ALL LIGHT WEIGHT CONCRETE UNLESS NOTED OTHERWISE.
5. POWER ACTUATED FASTENER INSTALLED THROUGH LOW FLUTES OF THE METAL DECK SHALL MEET THE REQUIREMENTS OF THE INSTALLATION CRITERIA AND SECTION BELOW.
6. MINIMUM EDGE DISTANCE OF $\frac{7}{8}$ " FROM THE EDGE OF METAL DECK WEB AND 4" FROM THE EDGE OF THE DECK.
7. STEEL DECK TO BE A MINIMUM OF 20 GA. B-DECK.
8. CONCRETE FILL DEPTH ABOVE THE TOP OF METAL DECK MUST BE A MINIMUM OF $2\frac{1}{2}$ " AT NORMAL WEIGHT OR LIGHT WEIGHT CONCRETE COMPOSITE METAL DECK.
9. PAF SHALL NOT BE USED TO RESIST SEISMIC SHEAR FORCES EXCEPT AT INTERIOR NON-LOAD BEARING, NON-SHEAR WALL PARTITION WALLS (AS PERMITTED BY 2013 CBC 1908A.1.1) AND COMPONENTS EXEMPT FROM CONSTRUCTION DOCUMENT REVIEW BY 2013 CBC SECTION 1616A.1.18 (NOT PERMITTED TO TAKE SEISMIC SHEAR BY ICC-ES AC70 FOR ANY OTHER CONDITIONS). PAF SHALL NOT BE USED TO CARRY SEISMIC TENSION LOADS (EXCEPT FOR VERTICAL SEISMIC LOAD PRODUCED BY SELF WEIGHT OF THE COMPONENTS) OR IN CRACKED CONCRETE UNLESS APPROVED FOR SUCH LOADING BY OSHPD.
10. PAF SHALL NOT BE USED IN PRE-STRESSED CONCRETE UNLESS NON-DESTRUCTIVE TESTING METHODS ARE USED TO LOCATE STRAND & REINFORCING PRIOR TO FASTENER INSTALLATION.
11. PAF INSTALLATION SHALL NOT NICK OR DAMAGE EXISTING CONCRETE REINFORCEMENT. SHOULD THIS OCCUR THE RDP IN RESPONSIBLE CHARGE SHALL BE NOTIFIED IMMEDIATELY. PAF SHALL BE INSTALLED 1" CLEAR OF EXISTING REINFORCEMENT. THIS MAY REQUIRE NON-DESTRUCTIVE TESTING.
12. PAF SHALL BE INSTALLED PER CURRENT ICC-ES EVALUATION REPORTS (OR REPORTS FROM OTHER TESTING AGENCIES ACCEPTABLE TO OSHPD).
13. TESTING OF PAF SHALL BE PER 2013 CBC SECTION 1913A.7. MINIMUM CONCRETE SUBSTRATE THICKNESS IS THREE TIMES THE PAF PENETRATION INTO THE CONCRETE SUBSTRATE.
14. TESTING IS NOT REQUIRED OF PAF USED TO ATTACH TRACKS OF INTERIOR NON-SHEAR WALL PARTITIONS FOR SHEAR ONLY WHERE THERE ARE AT LEAST THREE FASTENERS.
15. TOTAL ALLOWABLE LOADS IN TENSION, SHEAR OR TENSION SHEAR COMBINATIONS SHALL NOT EXCEED 90 LBS AS PERMITTED BY EXCEPTION TO THE ASCE 7-10 SECTION 13.4.5.
16. REFER TO NOTE 6d ON ST0.01 FOR ADDITIONAL PAF REQUIREMENTS.

BY: M. R. Karim

DATE: 05/11/2017



**SECTION TITLE:
STANDARD PARTITION WALL DETAILS**

**SHEET TITLE:
POWER ACTUATED FASTENER (PAF)
GENERAL NOTES (INSTALLED IN CONCRETE
FILLED METAL B DECK**

OPD NO.:
ST1.11

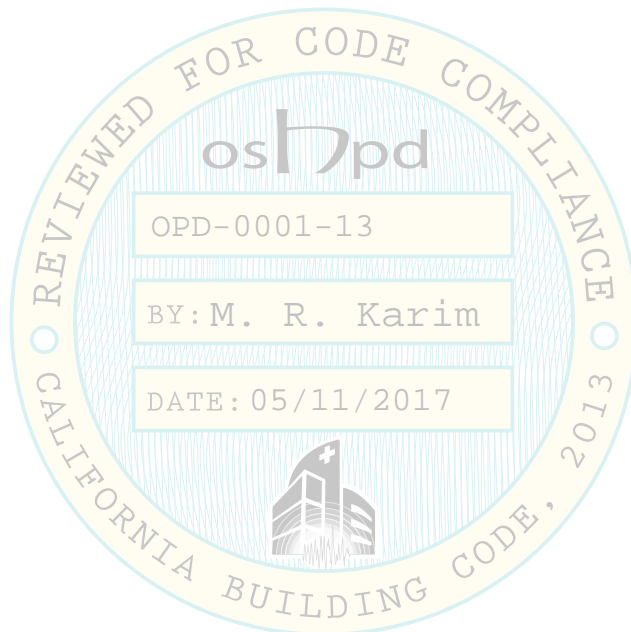
PLOT DATE: May 09, 2017

POWER ACTUATED FASTENER (PAF) ALLOWABLE STRENGTHS (INSTALLED IN CONCRETE FILLED B-DECK)

TABLE 1

POWER ACTUATED FASTENER INSTALLED TO THE UNDERSIDE OF NORMAL WEIGHT OR SAND-LIGHTWEIGHT CONCRETE THROUGH B-DECK (f'c MIN = 3000 PSI)

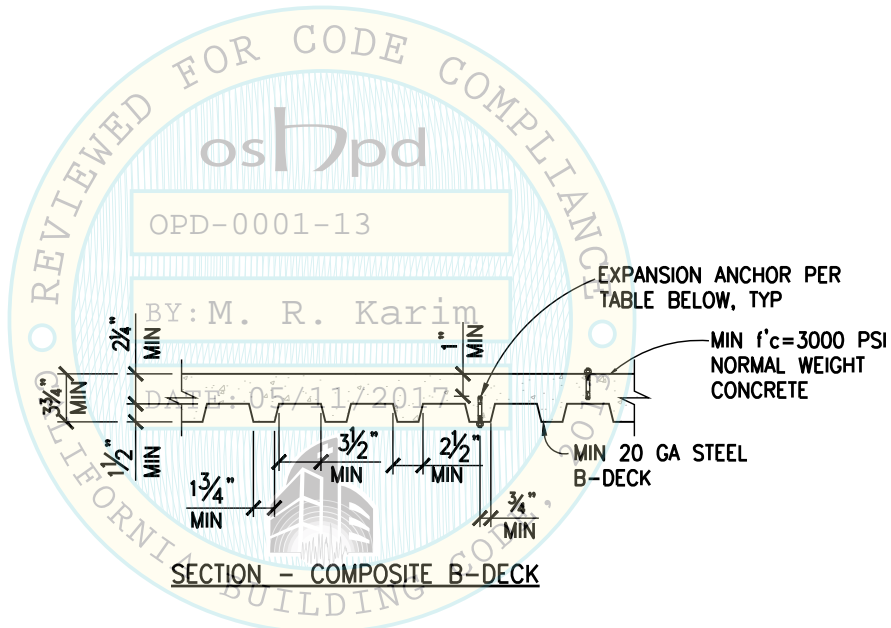
NOMINAL SHANK DIAMETER (IN)	MIN. EMBED (IN)	MIN. SPACING (IN)	MIN. EDGE DISTANCE (IN)	TENSION (LB) SEE NOTE 15	SHEAR (LB) (SEE NOTE 15)
0.157 MIN	1"	4"	4"	90	90



SECTION TITLE: STANDARD PARTITION WALL DETAILS			
SHEET TITLE: POWER ACTUATED FASTENER (PAF) ALLOWABLE STRENGTHS (INSTALLED IN CONC FILLED METAL B DECK			OPD NO.: ST1.12

EXPANSION ANCHOR GENERAL NOTES

1. ALLOWABLE STRENGTHS SHALL BE COMPARED TO ALLOWABLE STRESS DESIGN (ASD) LEVEL DEMAND IN ACCORDANCE WITH THE 2013 CBC SECTION 1605A.3.1.
2. ALLOWABLE STRENGTHS SHOWN IN TABLES ON ST1.14 ARE FOR SINGLE ANCHORS WHICH MEET MIN. REQUIREMENTS PER TABLE AND SECTION BELOW.
3. MINIMUM CONCRETE STRENGTH $f'_c = 3000$ PSI.
4. EXPANSION ANCHORS INSTALLED THROUGH LOWER FLUTES OF METAL DECK SHALL MEET THE REQUIREMENTS OF THE INSTALLATION CRITERIA AND SECTION BELOW.
5. STEEL DECK TO BE MIN 20 GA. B-DECK.
6. MINIMUM CONCRETE FILL DEPTH ABOVE THE TOP OF THE METAL DECK PER SECTION AND INSTALLATION CRITERIA BELOW.
7. EXPANSION ANCHORS SHALL NOT BE USED IN PRE-STRESSED CONCRETE UNLESS NON-DESTRUCTIVE TESTING METHODS ARE USED TO LOCATE STRAND & REINFORCING PRIOR TO ANCHOR INSTALLATION.
8. EXPANSION ANCHOR INSTALLATION SHALL NOT NICK OR DAMAGE EXISTING REINFORCEMENT. SHOULD THIS OCCUR, THE RDP IN RESPONSIBLE CHARGE SHALL BE NOTIFIED IMMEDIATELY. EXPANSION ANCHORS SHALL BE INSTALLED 1" CLEAR OF EXISTING REINFORCEMENT.
9. EXPANSION ANCHORS SHALL BE INSTALLED PER CURRENT ICC-ES EVALUATION REPORT OR REPORT FROM OTHER TESTING AGENCY ACCEPTABLE TO OSPD.
10. TESTING OF EXPANSION ANCHORS SHALL BE PER 2013 CBC SECTION 1913A.7.
12. REFER TO NOTE 6c ON ST0.01 FOR ADDITIONAL EXPANSION ANCHOR REQUIREMENTS.
13. ALL VALUES IN TABLES ARE FOR CRACKED CONCRETE & INCLUDE REDUCTION BASED ON ACI 318-11 D.3.3.4.3 REQUIREMENTS. THE ALLOWABLE STRENGTHS ARE BASED UPON THE LEAST OF THE ALLOWABLE STRENGTHS CALCULATED USING THE ICC ESRs 1917 AND 2502 AND USING AN α FACTOR OF 1.4.
14. ALL VALUES IN TABLE REFLECT ALLOWABLE STRENGTHS WITH 20% ALLOWABLE STRESS INCREASE FOR LOAD COMBINATIONS WITH OVERSTRENGTH FACTOR IN ACCORDANCE WITH ASCE 7-10 SECTION 12.4.3.3.



	ANCHOR DIAMETER	EFFECTIVE EMBEDMENT	MIN EDGE DISTANCE	MIN SPACING
UNDERSIDE INSTALLATION **	3/8"	2"	6"	6 3/4"
	1/2"	2"	7"	6 3/4"

** UNDERSIDE APPLICATION ONLY.

SECTION TITLE:
STANDARD PARTITION WALL DETAILS

SHEET TITLE:
EXPANSION ANCHOR GENERAL NOTES
INSTALLED IN CONCRETE FILLED METAL B DECK

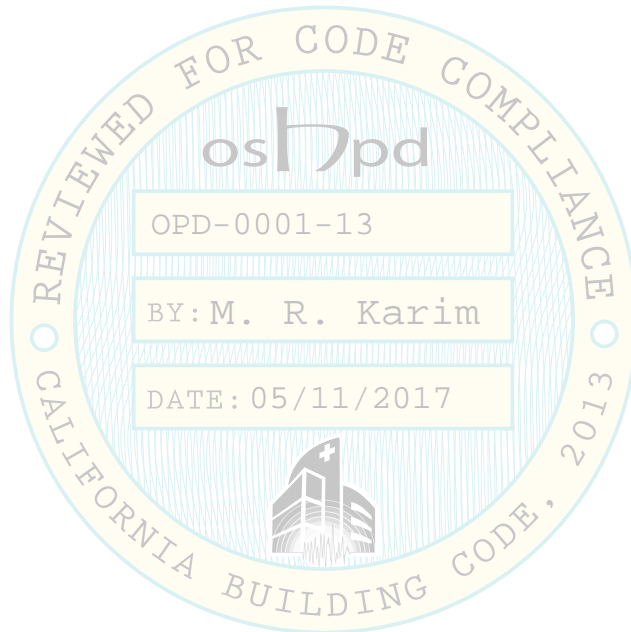
OPD NO.:
ST1.13

EXPANSION ANCHOR ALLOWABLE STRENGTHS INTO B-DECK

TABLE 1
 EXPANSION ANCHORS INSTALLED INTO THE UNDERSIDE OF NORMAL WEIGHT
 CONCRETE THROUGH B-DECK (f'c MIN = 3000 PSI)

ANCHOR DIAMETER (IN)	EMBED (IN)	SHEAR (LB)	TENSION (LB)
3/8"	2	997	522
1/2"	2	1440	600

** UNDERSIDE APPLICATION ONLY. SEE NOTE ON ST1.13.



SECTION TITLE: STANDARD PARTITION WALL DETAILS			
SHEET TITLE: EXPANSION ANCHOR ALLOWABLE STRENGTHS INSTALLED IN CONCRETE FILLED METAL B DECK			OPD NO.: ST1.14

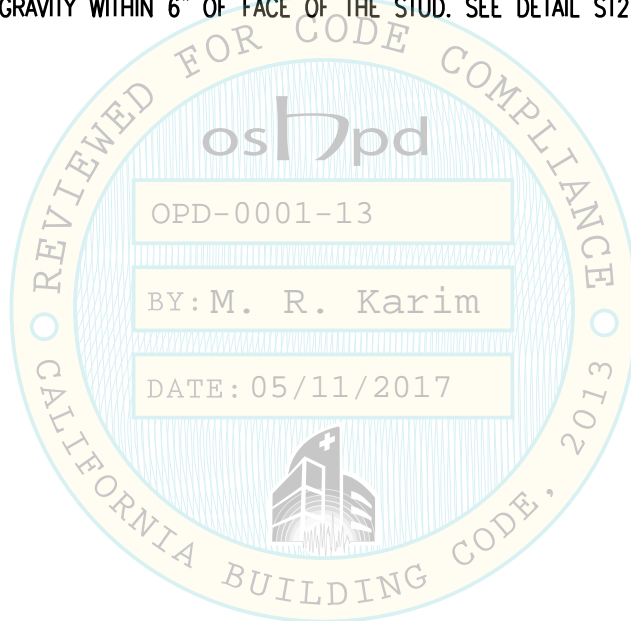
TYPICAL PARTITION WALL CONDITIONS

- CONDITION 'A' - PARTITION WALL WITHOUT ATTACHMENTS. SEE DETAIL ST2.02

- CONDITION 'B' - PARTITION WALL SUPPORTING CABINETS OR EQUIPMENT ON ONE SIDE OR BOTH SIDES OF THE WALL DISTRIBUTING UP TO 50 LB TOTAL VERTICAL LOAD PER STUD (37 PLF). REFER TO GENERAL NOTE 7C ON ST0.01. CENTER OF GRAVITY LESS THAN 6" FROM THE FACE OF THE STUD. SEE DETAIL ST2.03.

- CONDITION 'C' - PARTITION WALL SUPPORTING OVERHEAD AND/OR BASE CABINETS OR EQUIPMENT ON ONE SIDE OR BOTH SIDES OF THE WALL, DISTRIBUTING UP TO 152 LB TOTAL VERTICAL LOAD PER STUD (114 PLF). REFER TO GENERAL NOTE 7C ON ST0.01. CENTER OF GRAVITY WITHIN 6" OF FACE OF THE STUD. SEE DETAIL ST2.04.

- CONDITION 'D' - PARTITION WALL SUPPORTING FULL HEIGHT CABINETS OR EQUIPMENT ON ONE SIDE OR BOTH SIDES OF THE WALL, DISTRIBUTING UP TO 380 LB TOTAL VERTICAL LOAD PER STUD (285 PLF). REFER TO GENERAL NOTE 7C ON ST0.01. CENTER OF GRAVITY WITHIN 6" OF FACE OF THE STUD. SEE DETAIL ST2.04.



SECTION TITLE: STANDARD PARTITION WALL DETAILS			
SHEET TITLE: TYPICAL PARTITION WALL CONDITIONS			OPD NO.: ST2.00

PARTITION WALL SCHEDULES

SCHEDULE 1: MINIMUM PARTITION WALL STUD SIZE (PARTITION CONDITION 'A')

S _{ps}	WALL HEIGHT				
	9 FT	12 FT	16 FT		
0.25-0.99	362S137-33	362S137-33	362S137-43	400S137-43	600S137-33
1.00-1.25	362S137-33	362S137-33	362S137-43	400S137-43	600S137-33
1.26-1.45	362S137-33	362S137-33	362S137-43	400S137-43	600S137-33
1.46-1.95	362S137-33	362S137-33	362S137-54	400S137-54	600S137-43

SCHEDULE 2: MINIMUM PARTITION WALL STUD SIZE (PARTITION CONDITION 'B')

S _{ps}	WALL HEIGHT					
	9 FT	12 FT		16 FT		
0.25-0.99	362S137-33	362S137-43	400S137-43	362S137-54	400S137-43	600S137-43
1.00-1.25	362S137-33	362S137-43	400S137-43	NA	400S137-54	600S137-43
1.26-1.45	362S137-33	362S137-43	400S137-43	NA	400S137-54	600S137-43
1.46-1.95	362S137-33	362S137-54	400S137-43	NA	400S137-54	600S137-43

SCHEDULE 3: MINIMUM PARTITION WALL STUD SIZE (PARTITION CONDITION 'C')

S _{ps}	WALL HEIGHT					
	9 FT	12 FT		16 FT		
0.25-0.99	362S137-43	400S137-54	362S137-54	400S137-43	600S137-43	600S137-43
1.00-1.25	362S137-43	400S137-54	362S137-54	400S137-54	600S137-43	600S137-54
1.26-1.45	362S137-43	400S137-54	NA	400S137-54	600S137-54	600S137-54
1.46-1.95	362S137-54	400S137-54	NA	NA	600S137-54	600S137-54

SCHEDULE 4: MINIMUM PARTITION WALL STUD SIZE (PARTITION CONDITION 'D')

S _{ps}	WALL HEIGHT						
	9 FT	12 FT		16 FT			
0.25-0.99	362S137-33	400S137-43	600S137-43	362S137-43	400S137-43	600S137-43	600S137-43
1.00-1.25	362S137-43	400S137-43	600S137-43	NA	400S137-54	600S137-43	600S137-43
1.26-1.45	362S137-43	400S137-43	600S137-43	NA	400S137-54	600S137-43	600S137-54
1.46-1.95	NA	400S137-54	600S137-54	NA	NA	600S137-54	600S137-54

NOTES:

- PARTITION WALL STUDS ARE SPACED @ 16" O.C. TYPICAL UNLESS NOTED OTHERWISE.
- SEE ST2.06 FOR PARTITION WALL ELEVATION & ADDITIONAL INFORMATION.
- SEE ST2.00 FOR DEFINITION OF PARTITION WALL CONDITIONS.
- SEE ST1.00 FOR METAL STUD PROFILES.
- 362S137-33 IS A 3 5/8" WIDE SSMA STUD WITH 1 3/8" WIDE FLANGE THAT IS 33 MIL THICK.
- STUDS SHOWN IN THE TABLES ABOVE CAN BE REPLACED BY EQUIVALENT STUDS WITH EQUAL OR HIGHER AREA (A), SECTION MODULUS (S_x, S_y) AND MOMENT OF INERTIA (I_x, I_y) PROVIDED MATERIALS CONFORM TO THE SAME ASTM STANDARD WITH EQUAL OR HIGHER YIELD STRENGTH (f_y) AND ULTIMATE STRENGTH (f_u) WHEN APPROVED.
- PARTITION WALLS TO HAVE LATERAL BRACING @ 48" O.C. PER ST4.00 OR ST4.01, FOR FULL HT OF PARTITION WALL. LATERAL BRACING IS NOT REQUIRED WHERE GYP BOARD IS INSTALLED ON BOTH SIDES OF PARTITION WALL.

SECTION TITLE:

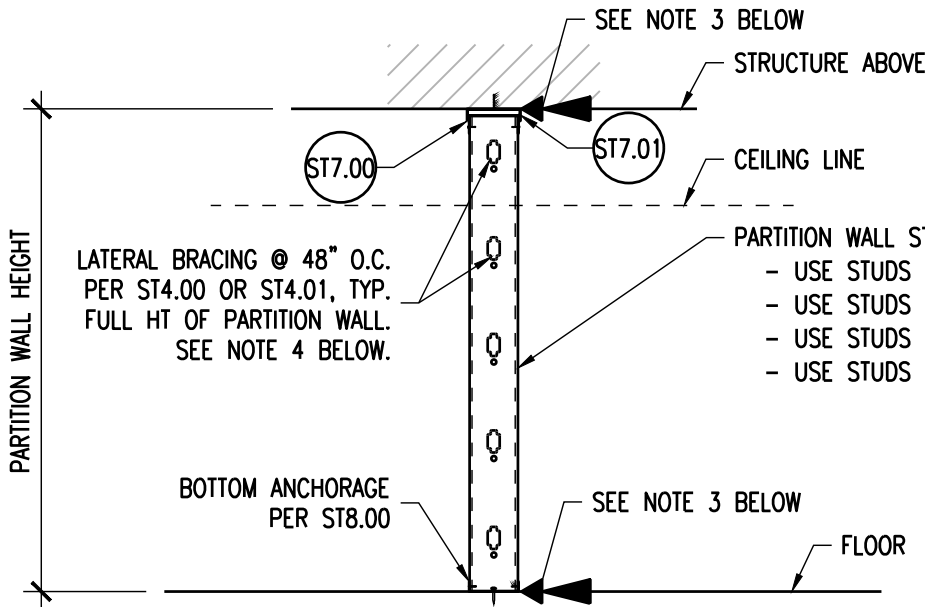
STANDARD PARTITION WALL DETAILS

SHEET TITLE:

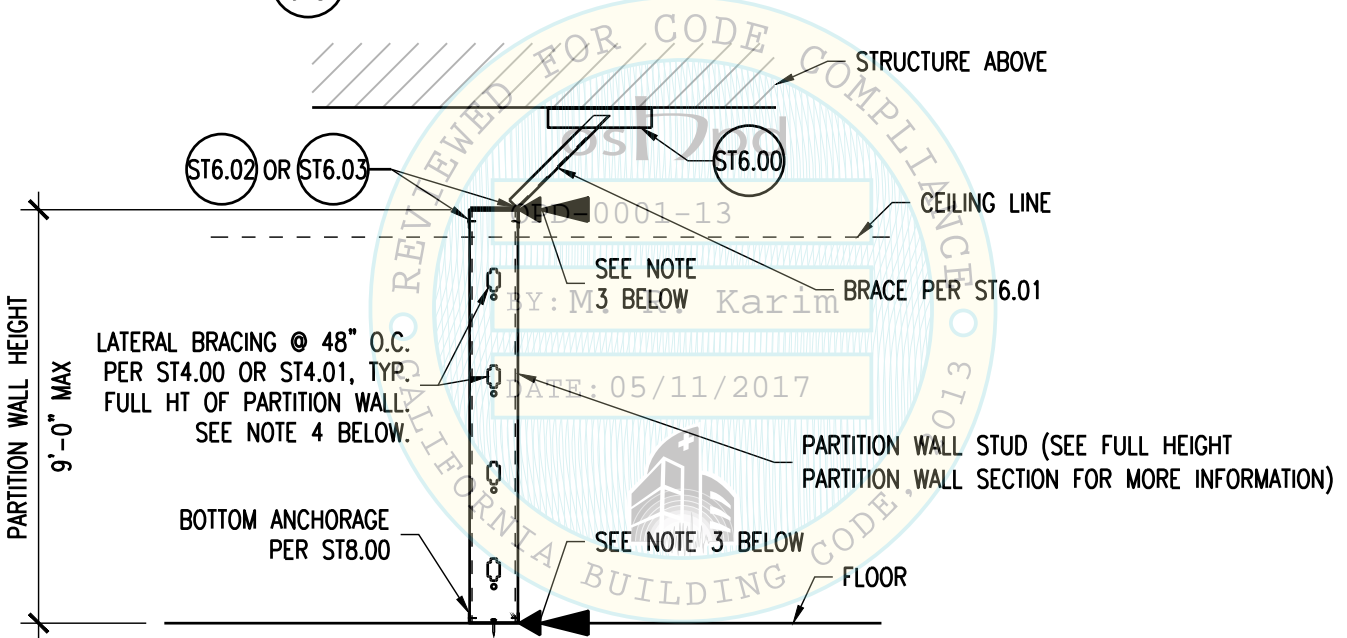
PARTITION WALL SCHEDULES

OPD NO.:

ST2.01



(A) FULL HEIGHT PARTITION WALL



(B) PARTIAL HEIGHT PARTITION WALL

NOTES:

1. PARTITION WALL SCHEDULES PER ST2.01.
2. SEE ST2.00 FOR DEFINITION OF PARTITION WALL CONDITIONS.
3. SEE ST6.11 FOR TOP & BOTTOM CONNECTION DEMANDS.
4. LATERAL BRACING IS NOT REQUIRED WHERE GYP BOARD IS INSTALLED ON BOTH SIDES OF PARTITION WALL.

SECTION TITLE:

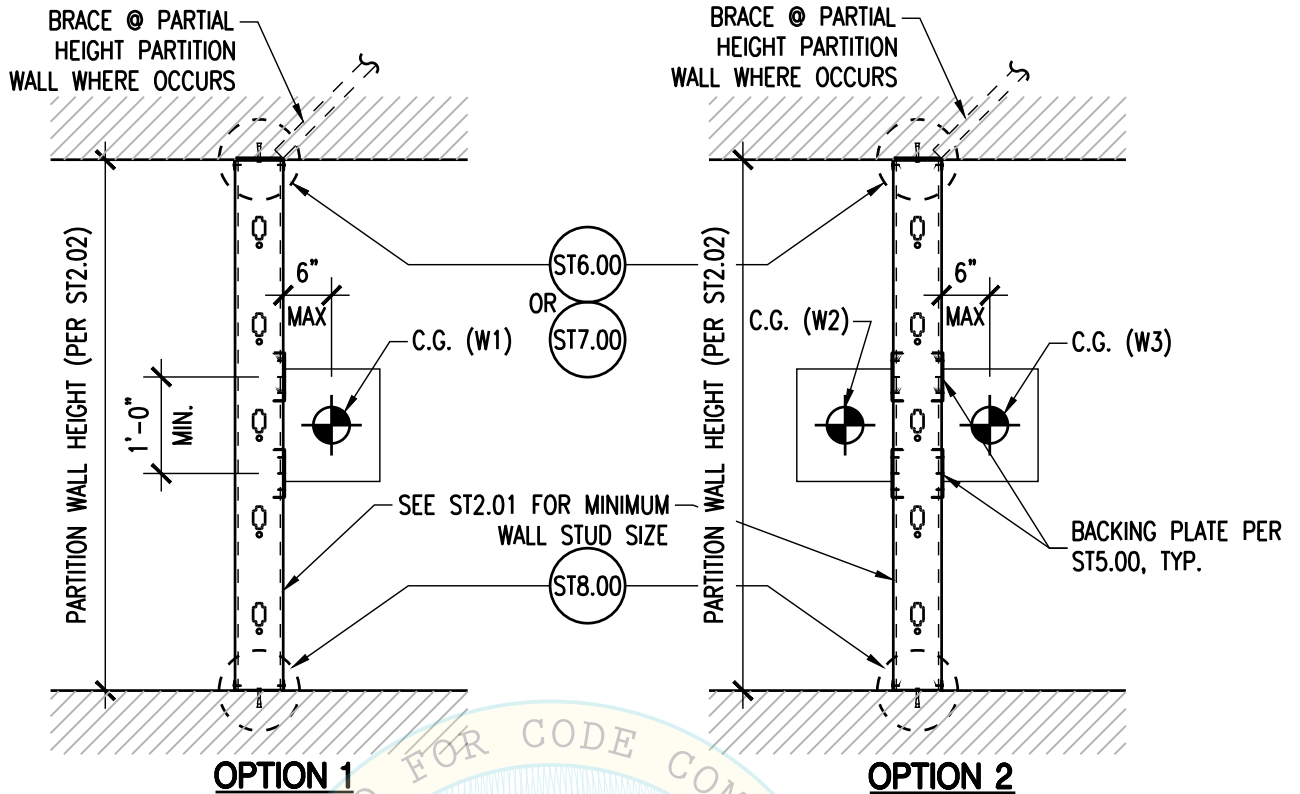
STANDARD PARTITION WALL DETAILS

SHEET TITLE:

TYPICAL PARTITION WALL SECTIONS

OPD NO.:

ST2.02



A PARTITION WALL CONDITION 'B'

OPD-0001-13

BY: M. R. Karim

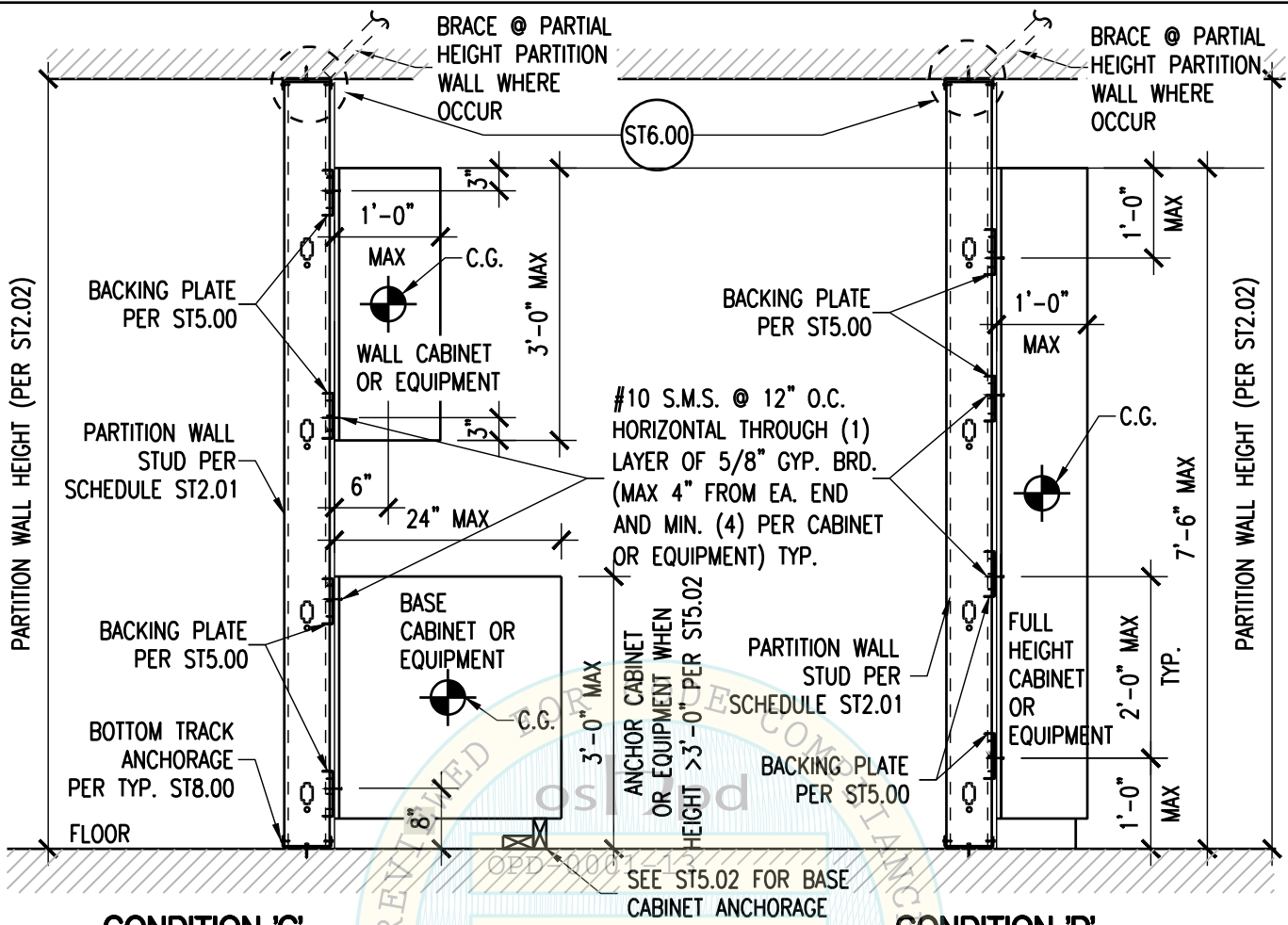
NOTES:

1. THIS DETAIL APPLIES TO PARTITION WALLS SUPPORTING CABINETS OR EQUIPMENT THAT CONFORM TO THE REQUIREMENTS OF CONDITION 'B' PER ST2.00.
2. WHERE CABINETS OR EQUIPMENT OCCUR ON BOTH SIDES OF THE PARTITION WALL, EITHER OF THE FOLLOWING OPTIONS MAY BE USED:
 - A. DECREASE SPACING OF WALL STUDS, BOTTOM TRACK ANCHORAGE AND TOP TRACK ANCHORAGE BY 50% FROM THAT SHOWN ON ST2.02, ST6.00, ST7.00 & ST8.00 (I.E. PROVIDE TWICE THE QUANTITY OF WALL STUDS AND TOP AND BOTTOM TRACK ANCHORAGE).
 - B. LIMIT THE COMBINED WEIGHT OF CABINETS OR EQUIPMENT ON OPPOSITE SIDES OF WALL AS SHOWN IN OPTION 2.
FOR EXAMPLE:
W1= 50 LB/ STUD MAX
W2 + W3= 50 LB/ STUD MAX
3. SEE ST2.01 FOR MINIMUM PARTITION WALL STUD SIZE.
4. FOR TYPICAL PARTITION WALL SECTIONS SEE ST2.02.

SECTION TITLE:
STANDARD PARTITION WALL DETAILS

SHEET TITLE:
CABINET OR EQUIPMENT ANCHORAGE TO PARTITION WALL, CONDITION 'B'

OPD NO.:
ST2.03



(B) CONDITION 'C' OVERHEAD AND / OR BASE CABINETS OR EQUIPMENT

(C) CONDITION 'D' FULL HEIGHT CABINETS OR EQUIPMENT

DATE: 05/11/2017

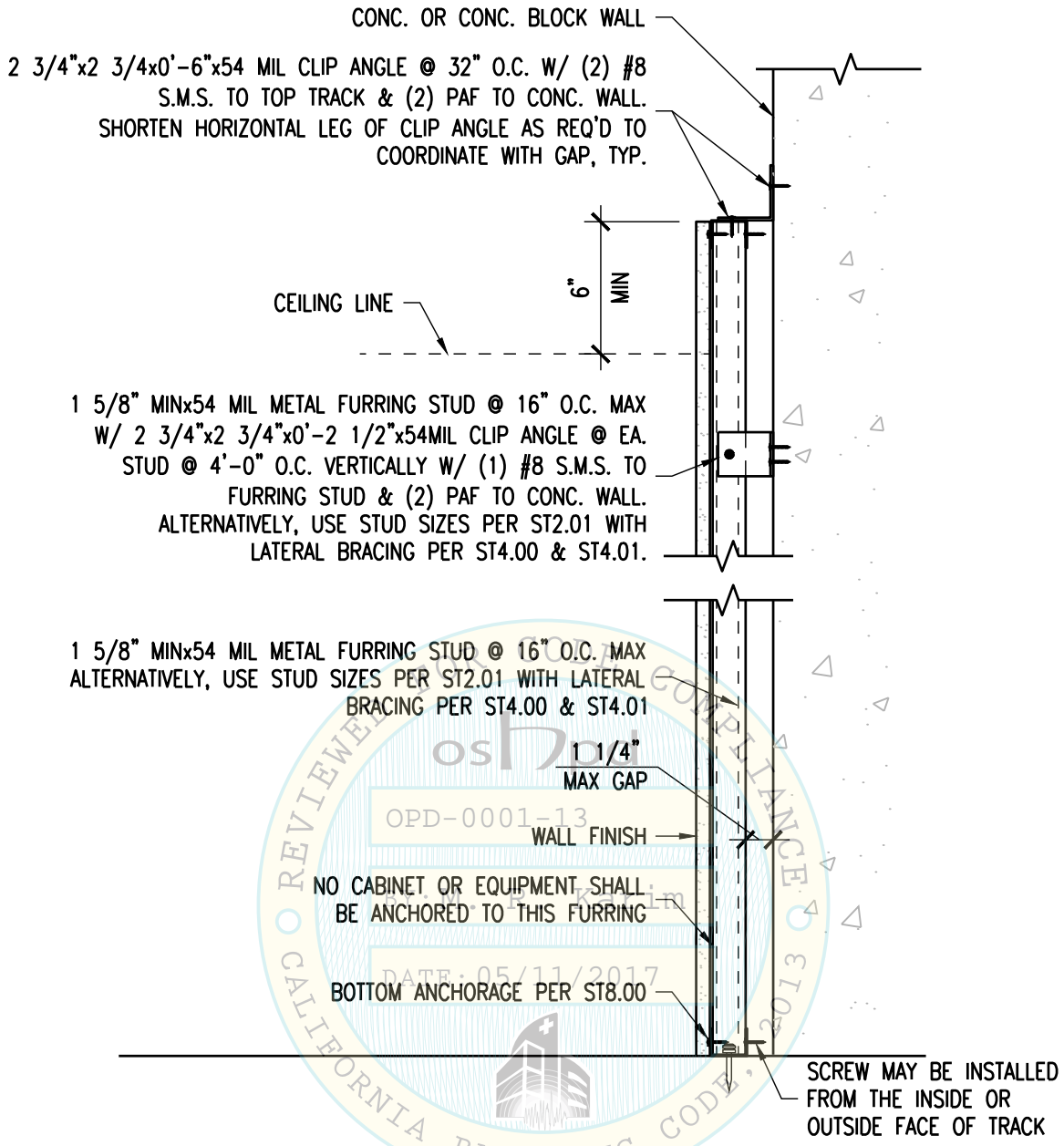
NOTES:

1. THIS DETAIL APPLIES TO PARTITION WALLS SUPPORTING CABINETS OR EQUIPMENT THAT CONFORM TO THE REQUIREMENTS OF CONDITION 'C' OR 'D' PER ST2.00.
2. THIS DETAIL APPLIES TO PARTITION WALLS SUPPORTING OVERHEAD AND/OR BASE CABINET OR EQUIPMENT ON ONE SIDE OF THE WALL. WHERE CABINETS OR EQUIPMENT OCCUR ON BOTH SIDES OF THE WALL, THE FOLLOWING OPTION MAY BE USED:
 - A. DECREASE SPACING OF WALL STUDS, BOTTOM TRACK ANCHORAGE AND TOP TRACK ANCHORAGE BY 50% FROM THAT SHOWN ON ST2.02, ST6.00, ST7.00 & ST8.00. (I.E. PROVIDE TWICE THE QUANTITY OF WALL STUDS AND TOP AND BOTTOM TRACK ANCHORAGE).
3. SEE ST2.01 FOR MINIMUM WALL STUD SIZE.
4. FOR TYPICAL PARTITION SECTIONS SEE ST2.02.

SECTION TITLE:
STANDARD PARTITION WALL DETAILS

SHEET TITLE:
CABINET OR EQUIPMENT ANCHORAGE TO PARTITION WALL, CONDITIONS 'C' & 'D'

OPD NO.:
ST2.04



STUD FURRING ATTACHMENT TO CONCRETE OR CONCRETE BLOCK WALL

NOTES:

1. SEE TOP CONNECTION DEMAND SCHEDULE ON ST6.11.
2. SEE ST1.01 & ST1.02 FOR PAF REQUIREMENTS AND ST1.03 & ST1.04 FOR EXPANSION ANCHOR REQUIREMENTS OR ST1.09 & ST1.10 FOR SCREW ANCHOR REQUIREMENTS.
3. DETAIL IS LIMITED TO PARTITION WALL CONDITION 'A' PER ST2.00.

SECTION TITLE:

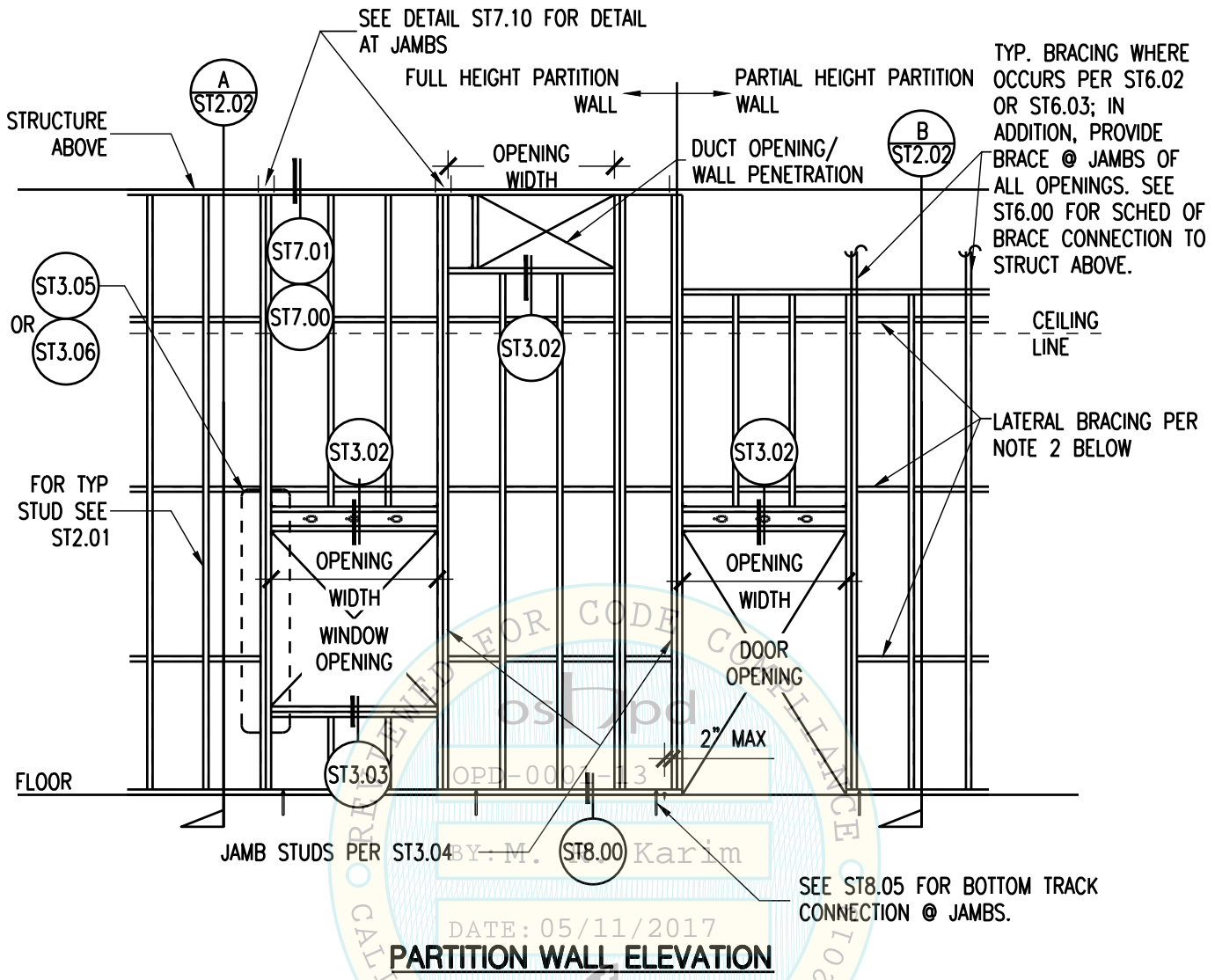
STANDARD PARTITION WALL DETAILS

SHEET TITLE:

STUD FURRING ATTACHMENT TO CONCRETE OR CONCRETE BLOCK WALL

OPD NO.:

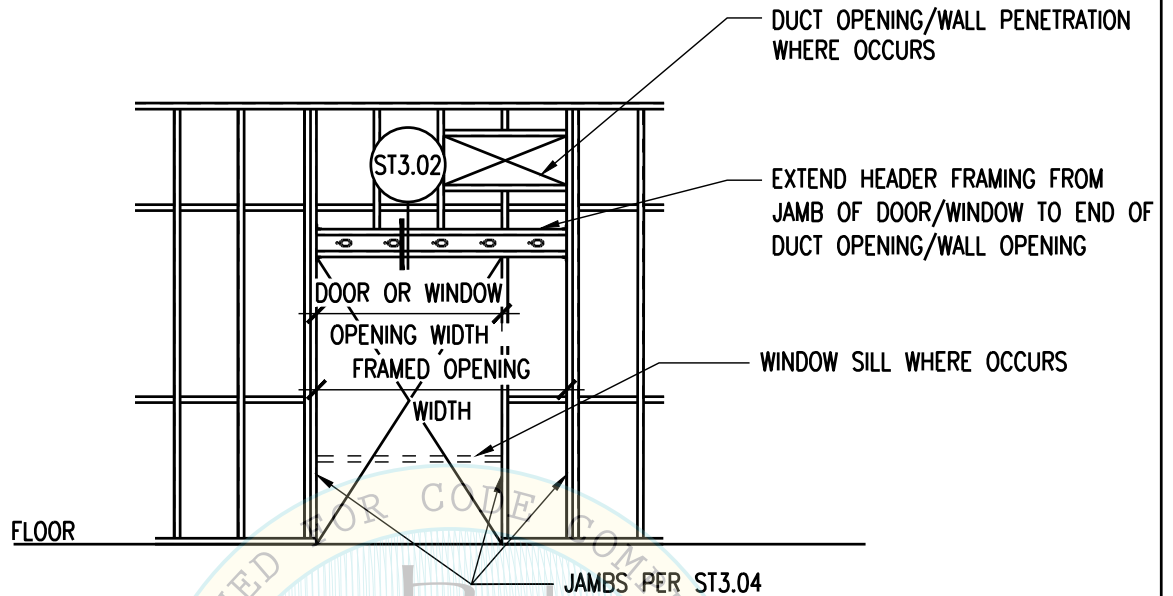
ST2.05



NOTES:

1. ATTACHMENT OF CEILING, EQUIPMENT, ETC. TO THE JAMB, HEADER OR STUD ABOVE THE HEADER IS NOT PERMITTED WITHOUT THE APPROVAL OF THE RDP IN RESPONSIBLE CHARGE & OSHPD.
2. LATERAL BRACING PER ST4.00 & ST4.01 @ 4'-0" O.C. MAX. LATERAL BRACING NOT REQUIRED WHERE GYP. BOARD OCCURS ON BOTH SIDES OF PARTITION WALL.
3. SEE ST2.07 FOR CONDITION AT OVERLAPPING OPENINGS.

SECTION TITLE: STANDARD PARTITION WALL DETAILS		
SHEET TITLE: PARTITION WALL ELEVATION - FULL HEIGHT AND PARTIAL HEIGHT PARTITION WALLS		OPD NO.: ST2.06



FRAMING AT OVERLAPPING OPENINGS

BY: M. R. Karim

DATE: 05/11/2017

NOTES:

1. SEE ST2.06 FOR ADDITIONAL INFORMATION.
2. ATTACHMENT OF CEILING EQUIPMENT, ETC. TO THE JAMB, HEADER OR STUD ABOVE THE HEADER IS NOT PERMITTED WITHOUT THE APPROVAL OF THE RDP IN RESPONSIBLE CHARGE & OSHPD.

SECTION TITLE:

STANDARD PARTITION WALL DETAILS

SHEET TITLE:

PARTITION WALL ELEVATION - FRAMING AT OVERLAPPING OPENINGS

OPD NO.:

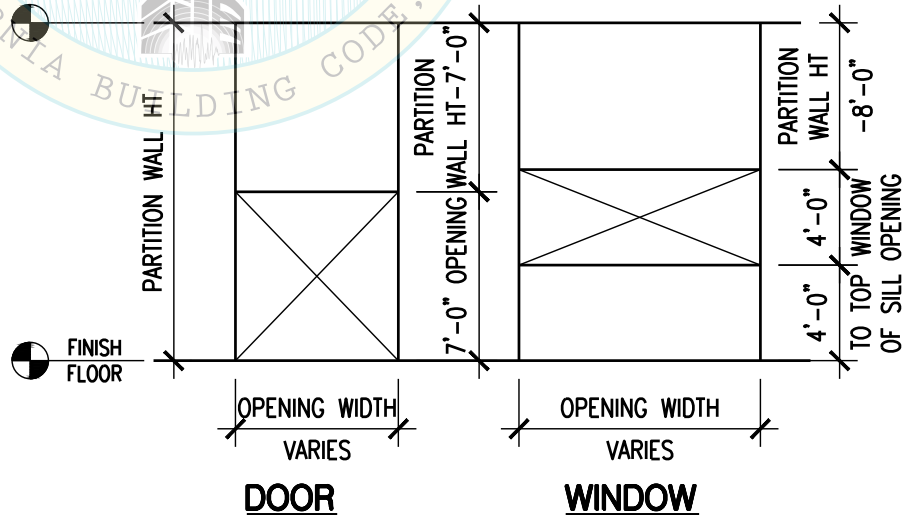
ST2.07

PARTITION WALL OPENING FRAMING SCHEDULE

OPENING WIDTH	S _{DS}	PARTITION WALL HT UP TO:	CONN. DETAIL	JAMBS (# OF STUD)-MIL			HEADER			SILL (SEE NOTE 3)		
				3 5/8" WALL	4" WALL	6" WALL	FRAMING	FIGURE	MIL	FRAMING	FIGURE	MIL
≤ 4'-0"	0.25-0.99	9'-0"	ST3.05-A OR ST3.05-B	(1)-33	(1)-33	(1)-33	(1)TRACK		SAME MIL AS WALL	(1)TRACK		33 MIN.
		12'-0"		(2)-33	(1)-54 OR (2)-33	(1)-54 OR (2)-33	(1)TRACK & (1) STUD		54			
		16'-0"		(2)-33	(2)-33	(2)-33	(1) STUD					
	1.00-1.25	9'-0"	ST3.05-A OR ST3.05-B	(1)-33	(1)-33	(1)-33	(1)TRACK		SAME MIL AS WALL	(1)TRACK		33 MIN.
		12'-0"		(2)-33	(2)-33	(1)-54 OR (2)-33	(1)TRACK & (1) STUD		54			
		16'-0"		(2)-43	(2)-33	(2)-33	(1) STUD					
	1.26-1.45	9'-0"	ST3.05-A OR ST3.05-B	(1)-33	(1)-33	(1)-33	(1)TRACK		SAME MIL AS WALL	(1)TRACK		33 MIN.
		12'-0"		(2)-33	(2)-33	(1)-54 OR (2)-33	(1)TRACK & (1) STUD		54			
		16'-0"		(2)-43	(2)-43	(2)-33	(1) STUD					
	1.45-1.95	9'-0"	ST3.05-A OR ST3.05-B	(1)-43 OR (2)-33	(1)-43 OR (2)-33	(1)-33	(1)TRACK		SAME MIL AS WALL	(1)TRACK		33 MIN.
		12'-0"		(2)-33	(2)-33	(1)-54 OR (2)-33	(1)TRACK & (1) STUD		54			
		16'-0"		(2)-54	(2)-54	(2)-43	(1) STUD					
				SEE DETAIL: ST3.04			SEE DETAIL: ST3.02			SEE DETAIL: ST3.03		

NOTES:

- SEE GENERAL NOTES ON ST0.00, ST0.01, & ST0.02 FOR LIGHT GAUGE STEEL REQUIREMENTS AND DETAIL ST1.00 FOR SECTION PROFILES.
- STUDS SHALL MATCH WALL SIZES, I.E. 362S FOR 3 5/8" WALL, 400S FOR 4" WALL & 600S FOR 6" WALL.
- SCHEDULE FOR SILL BASED ON 4'-0" MAX HT. FOR SILLS TALLER THAN 4'-0" USE HEADER FRAMING.
- JAMB, HEADER & SILL DESIGN BASED ON PARTITION WALL CONDITION 'A' ON ST2.00 & THE FOLLOWING DESIGN ASSUMPTIONS:



SECTION TITLE:
STANDARD PARTITION WALL DETAILS

SHEET TITLE:
PARTITION WALL OPENING FRAMING SCHEDULE (4'-0" MAX OPENING WIDTH)

OPD NO.:
ST3.00

PARTITION WALL OPENING FRAMING SCHEDULE

OPENING WIDTH	S _{OS}	PARTITION WALL HT UP TO:	CONN. DETAIL	JAMBS (# OF STUD)-MIL			HEADER			SILL (SEE NOTE 3)		
				3 5/8" WALL	4" WALL	6" WALL	FRAMING	FIGURE	MIL	FRAMING	FIGURE	MIL
>4'-0" TO ≤10'-0"	0.25-0.99	9'-0"	ST3.06-C	(1)-54 OR (2)-33	(1)-54 OR (2)-33	(1)-43 OR (2)-33	(1)TRACK		54	(1)TRACK &(1)STUD		43 MIN.
		12'-0"	ST3.06-D OR	(2)-33	(2)-33	(2)-33	(2)TRACK &					
		16'-0"	ST3.06-E	(2)-54	(2)-54	(2)-43	(2) STUD					
	1.00-1.25	9'-0"	ST3.06-C	(1)-54 OR (2)-33	(1)-54 OR (2)-33	(1)-43 OR (2)-33	(2)TRACK		54	(1)TRACK &(1)STUD		43 MIN.
		12'-0"	ST3.06-D OR	(2)-43 OR (3)-33	(2)-43 OR (3)-33	(2)-33	(2)TRACK &					
		16'-0"	ST3.06-E	(3)-54	(2)-43 OR (3)-33	(2)-43	(2) STUD					
	1.26-1.45	9'-0"	ST3.06-C	(1)-54 OR (2)-33	(1)-54 OR (2)-33	(1)-43 OR (2)-33	(2)TRACK		54	(1)TRACK &(1)STUD		43 MIN.
		12'-0"	ST3.06-D OR	(2)-43 OR (3)-33	(2)-43 OR (3)-33	(2)-33	(2)TRACK &					
		16'-0"	ST3.06-E	(3)-54	(2)-54	(2)-43	(2) STUD					
	1.45-1.95	9'-0"	ST3.06-C	(2)-33	(2)-33	(1)-54 OR (2)-33	(2)TRACK		54	(1)TRACK &(1)STUD		43 MIN.
		12'-0"	ST3.06-D OR	(2)-43 OR (3)-33	(2)-43 OR (3)-33	(2)-33	(2)TRACK &					
		16'-0"	ST3.06-E	(3)-54	(3)-54	(2)-43	(2) STUD					
SEE DETAIL: ST3.04				SEE DETAIL: ST3.02			SEE DETAIL: ST3.03					

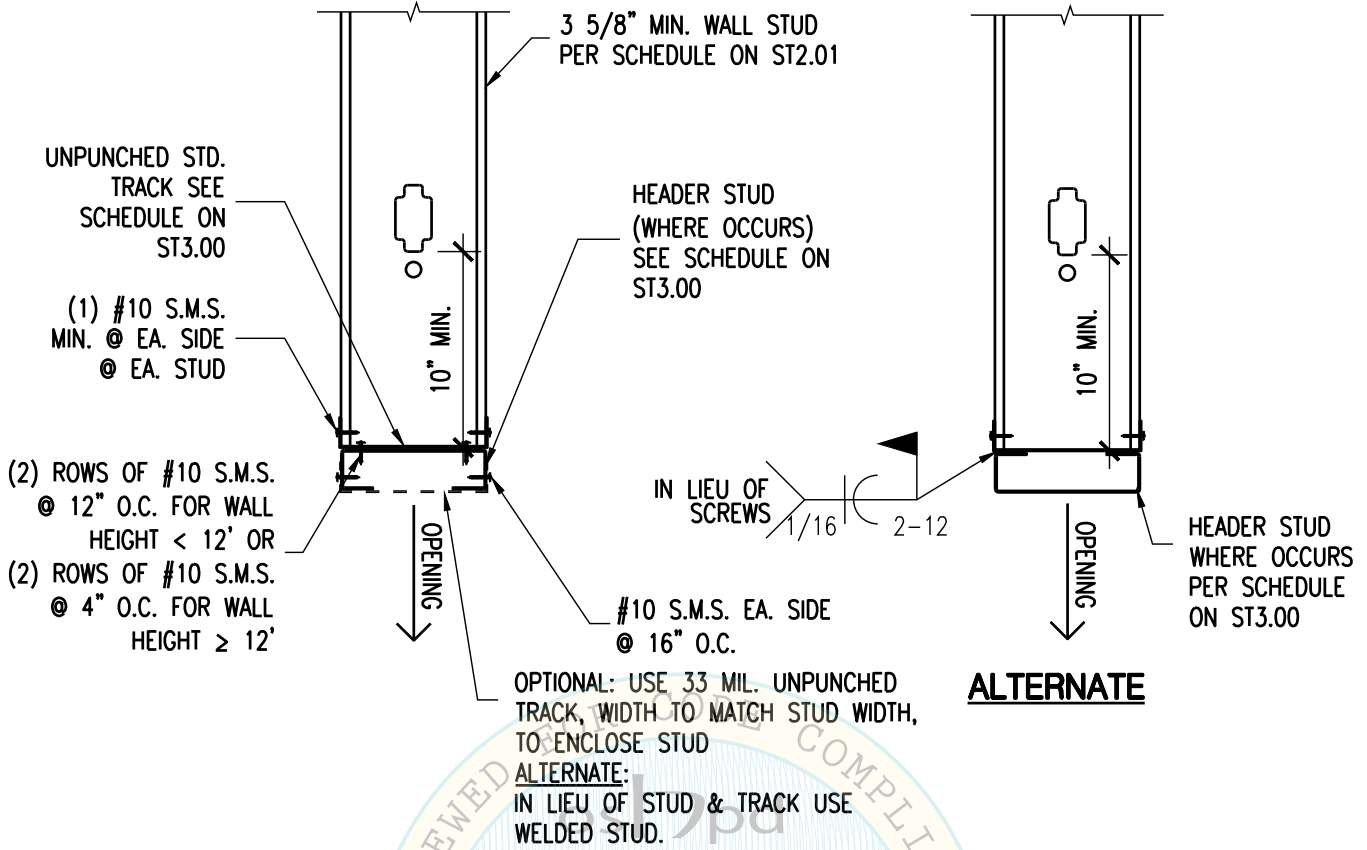
NOTES:

- SEE GENERAL NOTES ON ST0.00, ST0.01 & ST0.02 FOR LIGHT GAUGE STEEL REQUIREMENTS AND DETAIL ST1.00 FOR SECTION PROFILES.
- STUDS SHALL MATCH WALL SIZES, I.E. 362S FOR 3 5/8" WALL, 400S FOR 4" WALL & 600S FOR 6" WALL.
- SCHEDULE FOR SILL BASED ON 4'-0" MAX HT. FOR SILLS TALLER THAN 4'-0" USE HEADER FRAMING.
- SEE ST3.00 FOR DESIGN ASSUMPTIONS.

SECTION TITLE:
STANDARD PARTITION WALL DETAILS

SHEET TITLE:
**WALL OPENING FRAMING SCHEDULE
(OPENING WIDTH 4'-0" TO 10'-0" MAX)**

OPD NO.:
ST3.01

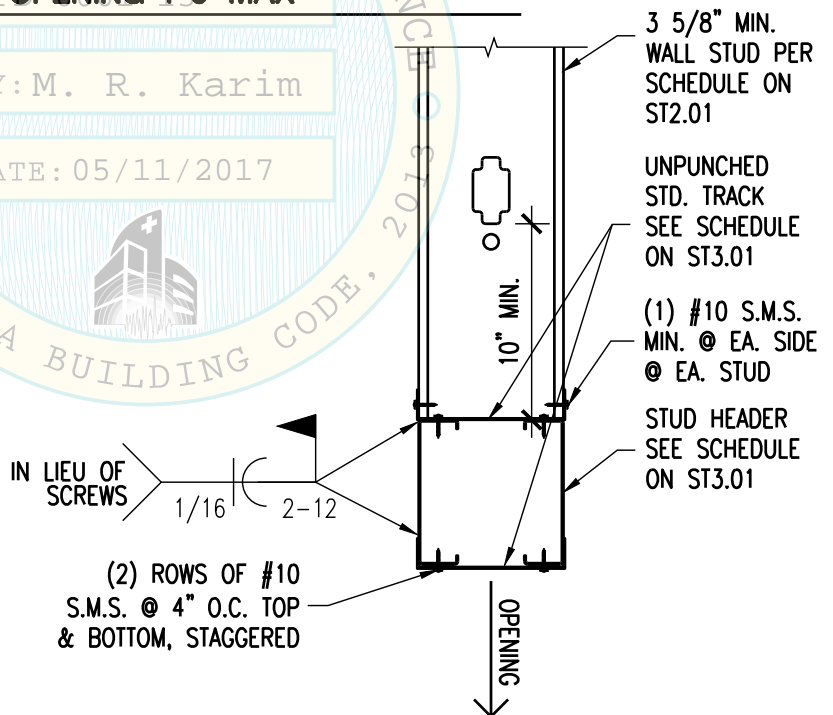


A HEADER AT OPENING 4'-0" MAX

BY: M. R. Karim
DATE: 05/11/2017

NOTE:

- ATTACHMENT OF CEILING, EQUIPMENT, ETC. TO THE HEADER OR STUDS ABOVE THE HEADER IS NOT PERMITTED WITHOUT THE APPROVAL OF THE RDP IN RESPONSIBLE CHARGE & OSHPD.



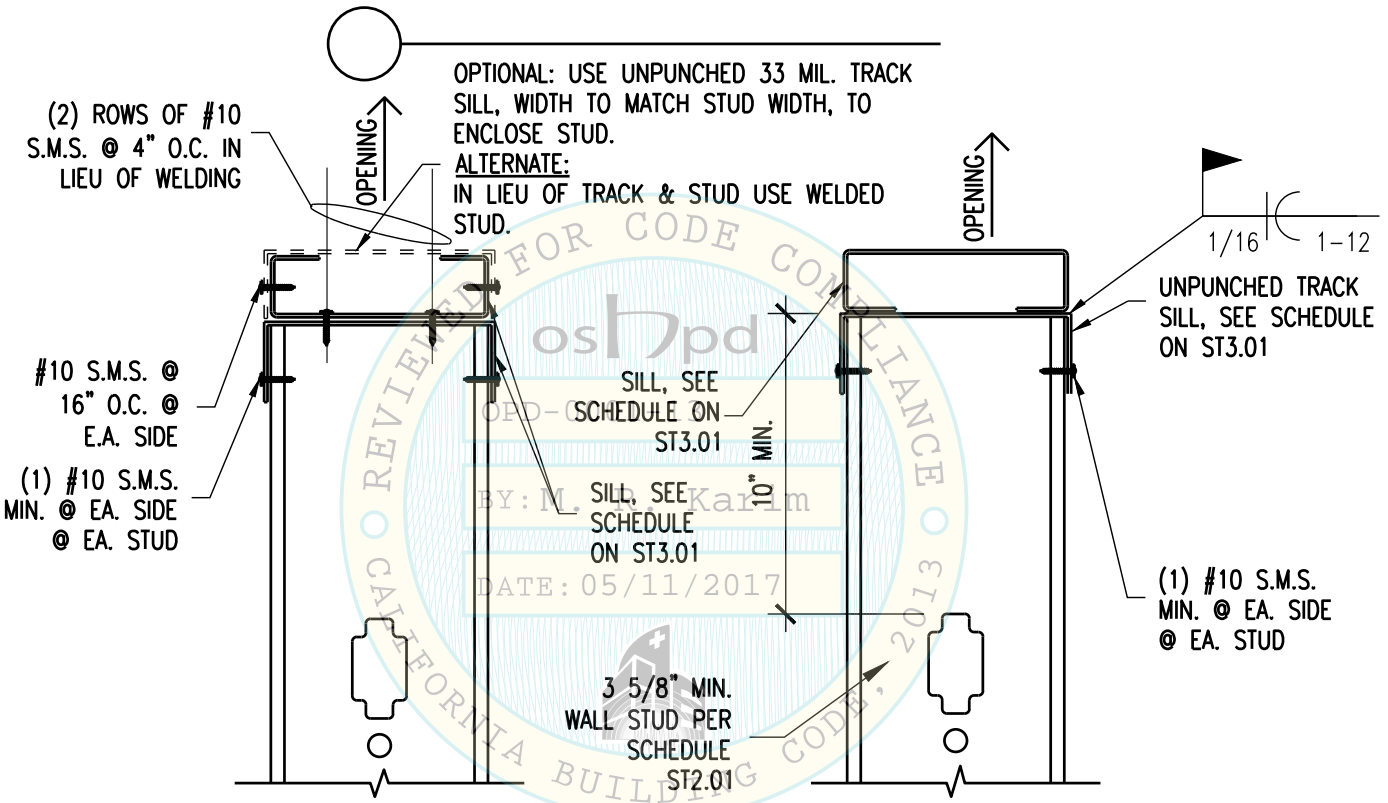
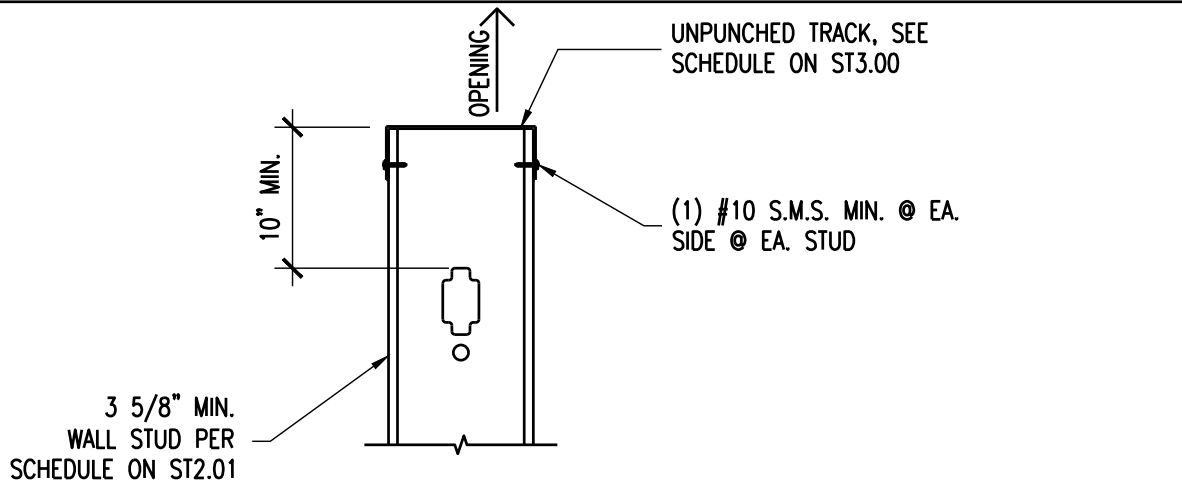
B HEADER AT OPENING 4'-0" TO 10'-0" MAX

SECTION TITLE:
STANDARD PARTITION WALL DETAILS

SHEET TITLE:
HEADER SECTION

OPD NO.:
ST3.02

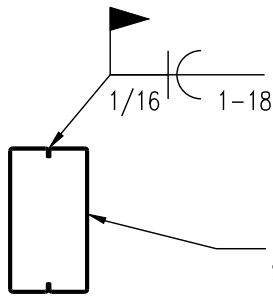
PLOT DATE: May 09, 2017



ALTERNATE

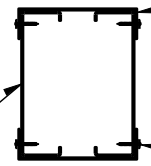
(B) SILL AT OPENING 4'-0" TO 10'-0" MAX

SECTION TITLE: STANDARD PARTITION WALL DETAILS		
SHEET TITLE: SILL SECTION		OPD NO.:
		ST3.03



A DOUBLE JAMB STUD DETAIL

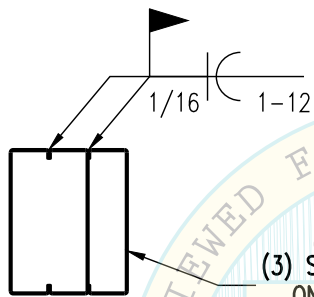
DOUBLE STUD
PER SCHEDULE
ST3.00 & ST3.01



B DOUBLE JAMB STUD DETAIL
(ALTERNATE)

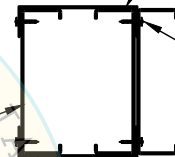
TRACK THICKNESS TO
MATCH JAMB STUDS
(4" MAX DEPTH)

#10 S.M.S. @ 6" TYP.
O.C.



C TRIPLE JAMB STUD DETAIL

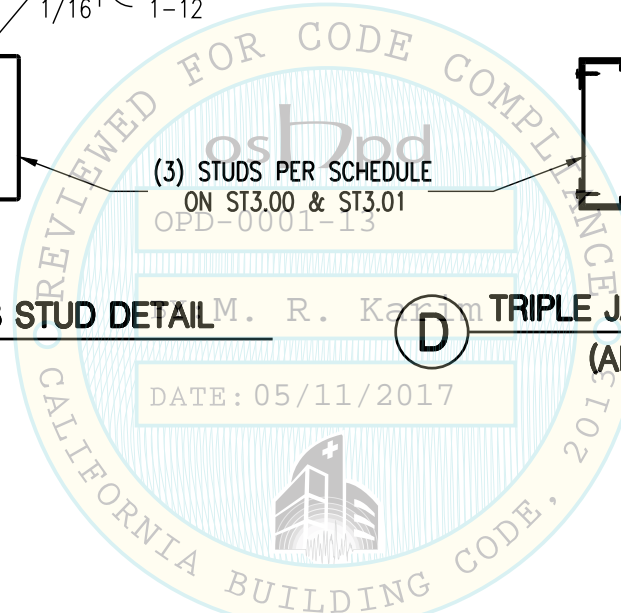
(3) STUDS PER SCHEDULE
ON ST3.00 & ST3.01



D TRIPLE JAMB STUD DETAIL
(ALTERNATE)

TRACK THICKNESS TO
MATCH JAMB STUDS
(4" MAX DEPTH)

#10 S.M.S. @ 6" TYP.
O.C.



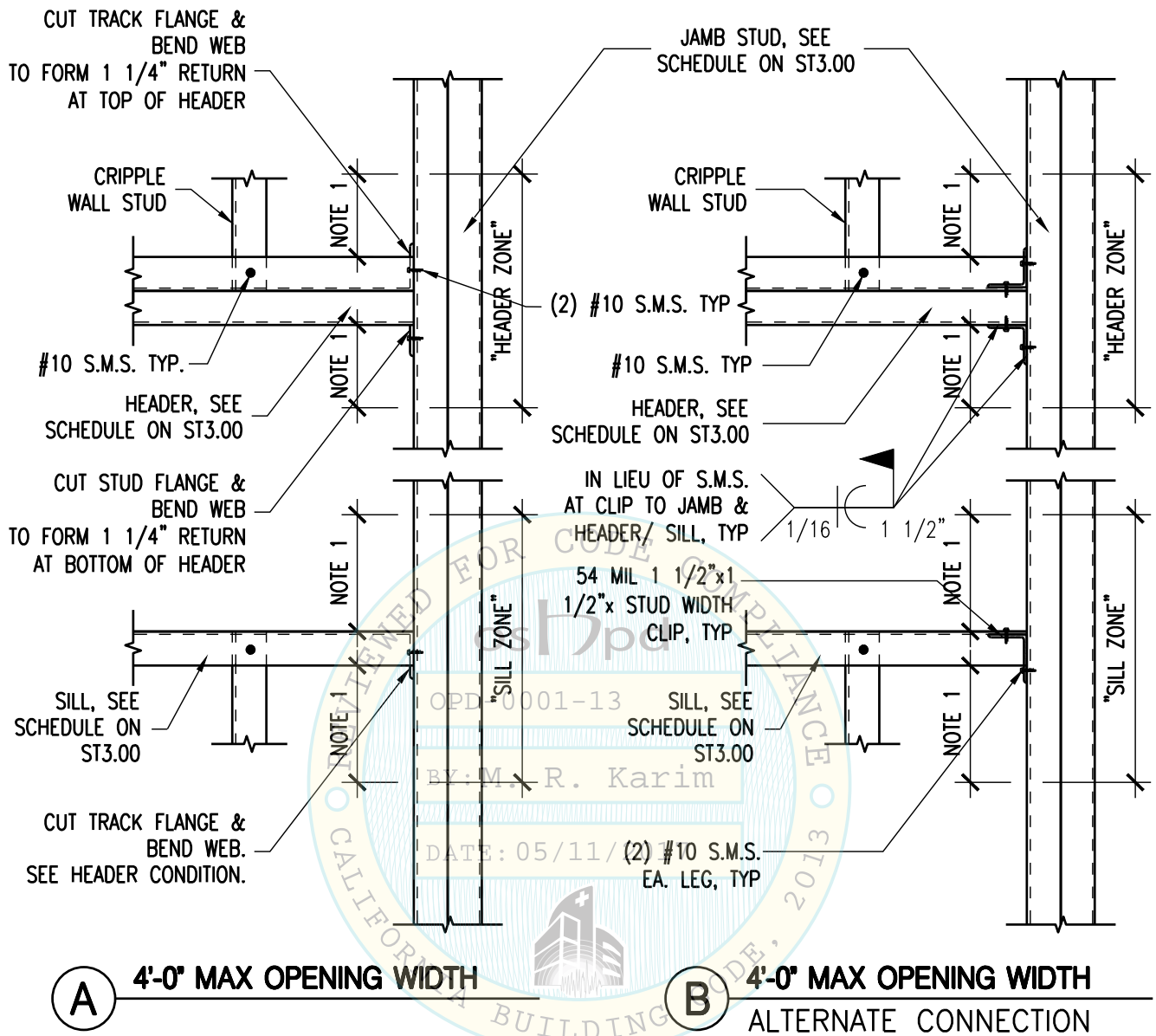
NOTES:

1. WHERE (2) STUDS ARE INDICATED ON PLANS OR ELEVATIONS, USE DOUBLE STUD DETAIL A OR B ABOVE. WHERE (3) STUDS ARE INDICATED ON PLANS OR ELEVATIONS, USE TRIPLE STUD DETAIL C OR D ABOVE.
2. FOR STUD THICKNESSES, SEE SCHEDULE ON ST3.00 & ST3.01.

SECTION TITLE:
STANDARD PARTITION WALL DETAILS

SHEET TITLE:
JAMB STUD DETAILS

OPD NO.:
ST3.04

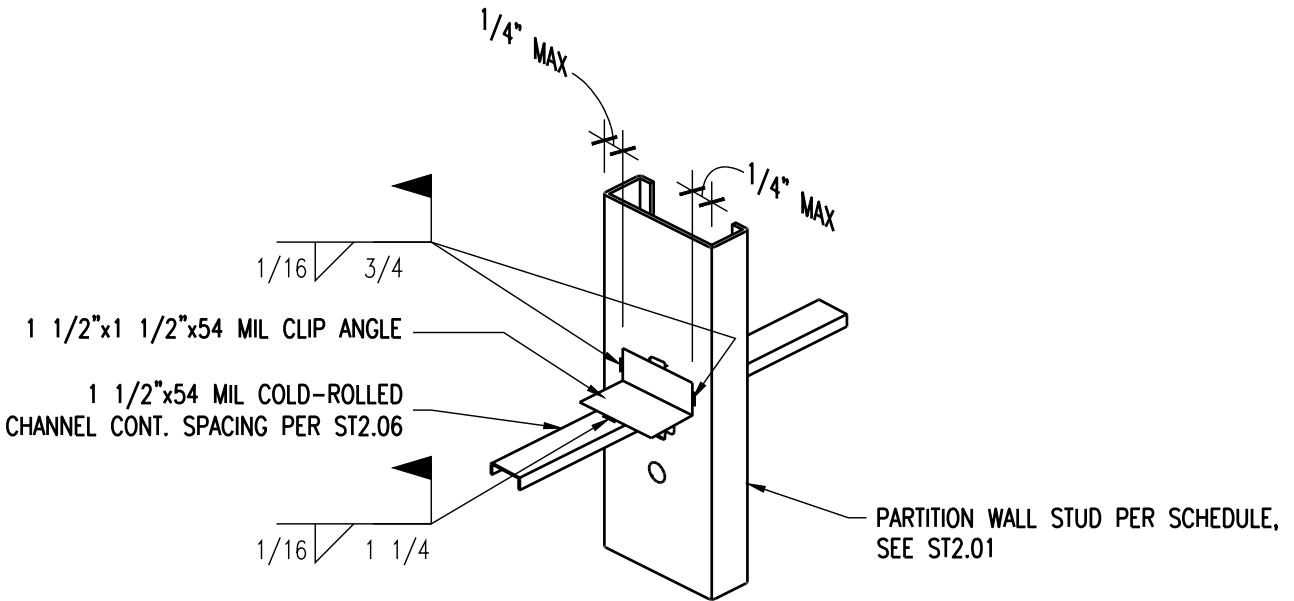


1. NO STUD PUNCHES OR HOLES SHALL OCCUR WITHIN 10" ABOVE OR BELOW THE HEADER OR SILL OR INSIDE THE HEADER OR SILL ZONE.

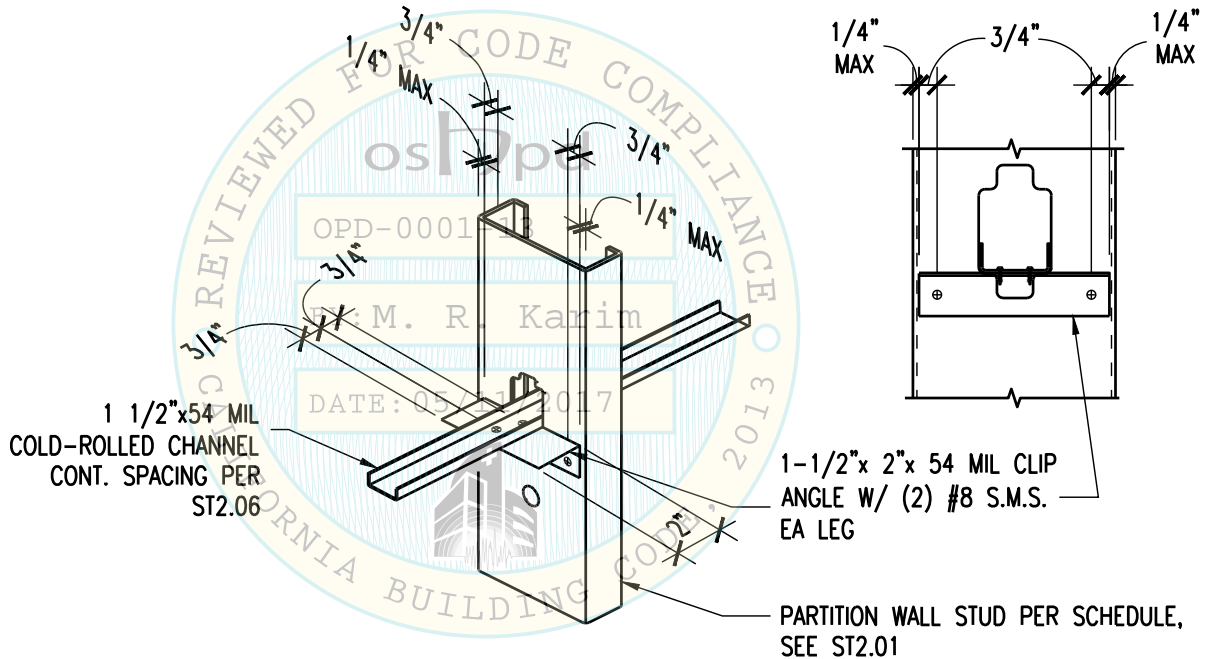
SECTION TITLE:
STANDARD PARTITION WALL DETAILS

SHEET TITLE:
HEADER & SILL CONNECTION
TO JAMB STUDS (4'-0" MAX OPENING
WIDTH)

OPD NO.:
ST3.05



METAL STUD LATERAL BRACING TYPE 1 - OPTION 1



METAL STUD LATERAL BRACING TYPE 1 - OPTION 2

NOTES:

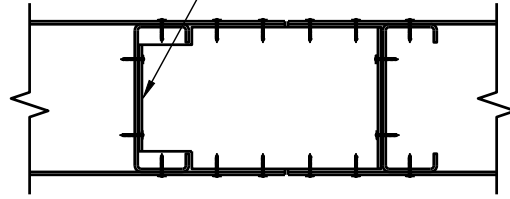
1. LATERAL BRACING IS NOT REQUIRED WHERE GYP. BOARD IS INSTALLED ON BOTH SIDES OF PARTITION WALL.
2. NOTCHING OR CUTTING OF COLD-ROLLED CHANNEL IS NOT PERMITTED FOR ANY CONDITION.

SECTION TITLE:
STANDARD PARTITION WALL DETAILS

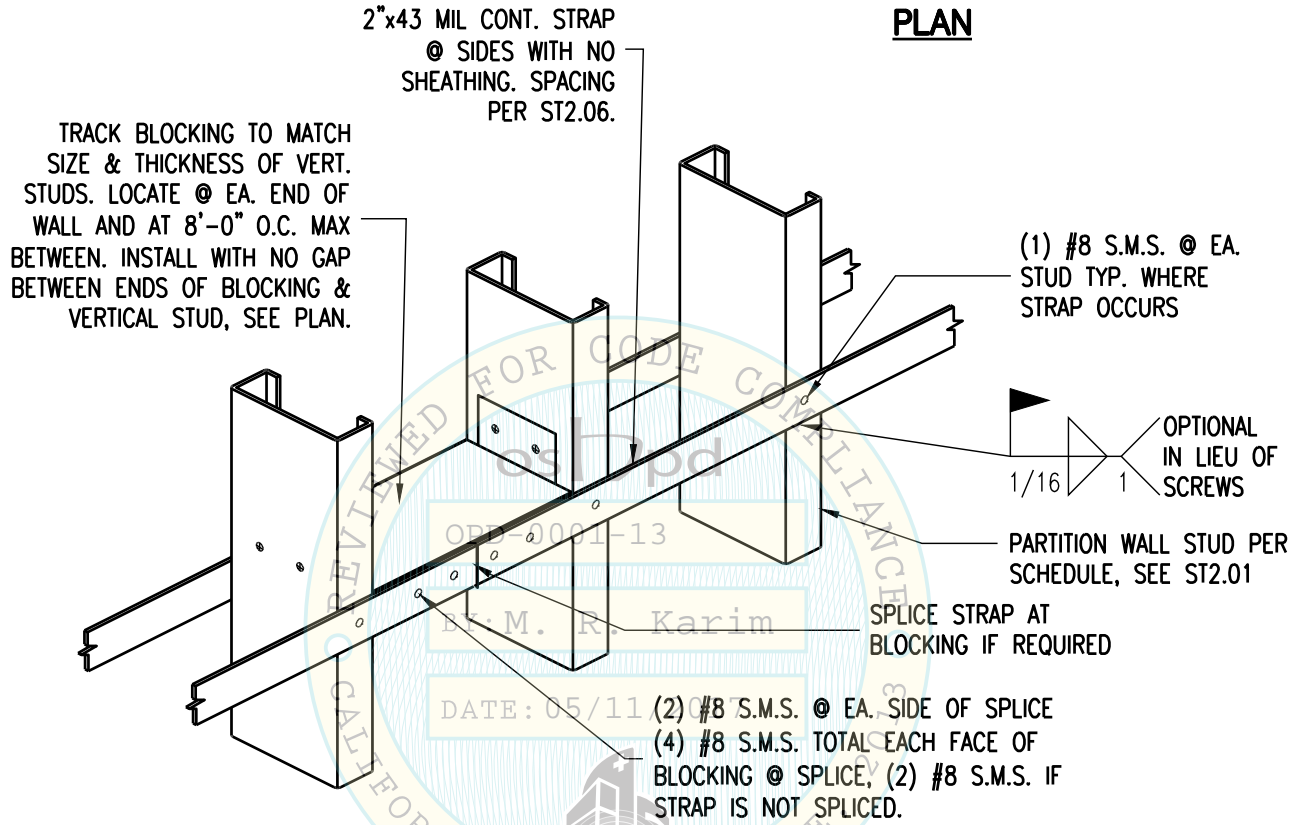
SHEET TITLE:
METAL STUD LATERAL BRACING TYPE 1

OPD NO.:
ST4.00

CUT TRACK FLANGE & WEB AS REQ'D & BEND WEB W/ (2) #8 S.M.S. TO EA. STUD, TYP.



PLAN



METAL STUD LATERAL BRACING TYPE 2

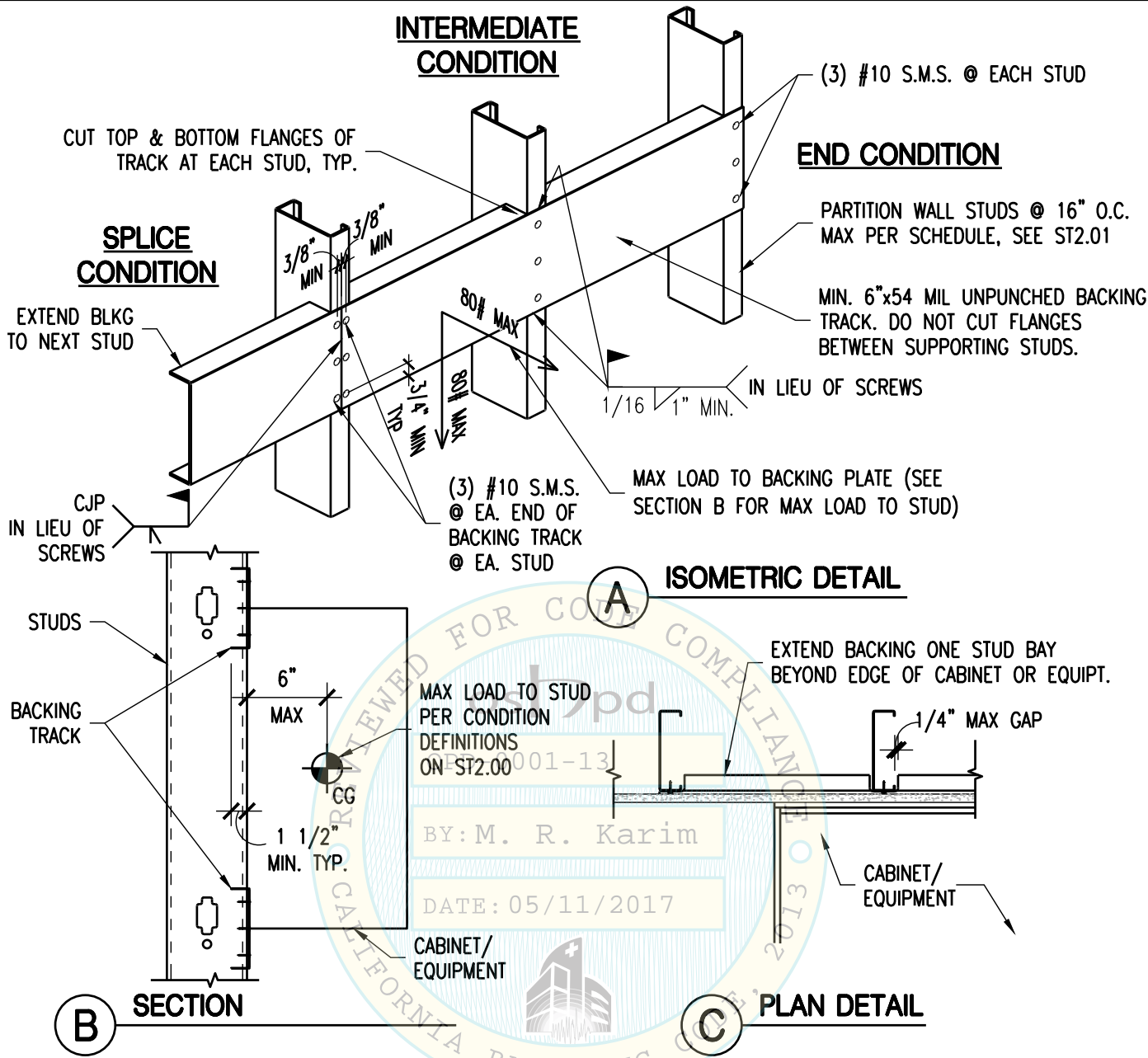
NOTES:

1. LATERAL BRACING IS NOT REQUIRED WHERE GYP. BOARD IS INSTALLED ON BOTH SIDES OF PARTITION WALL.
2. NOTCHING OF BLOCKING OR STRAP IS NOT PERMITTED FOR ANY CONDITION.

SECTION TITLE:
STANDARD PARTITION WALL DETAILS

SHEET TITLE:
METAL STUD LATERAL BRACING TYPE 2

OPD NO.:
ST4.01



BACKING PLATE DETAIL TYPE 1

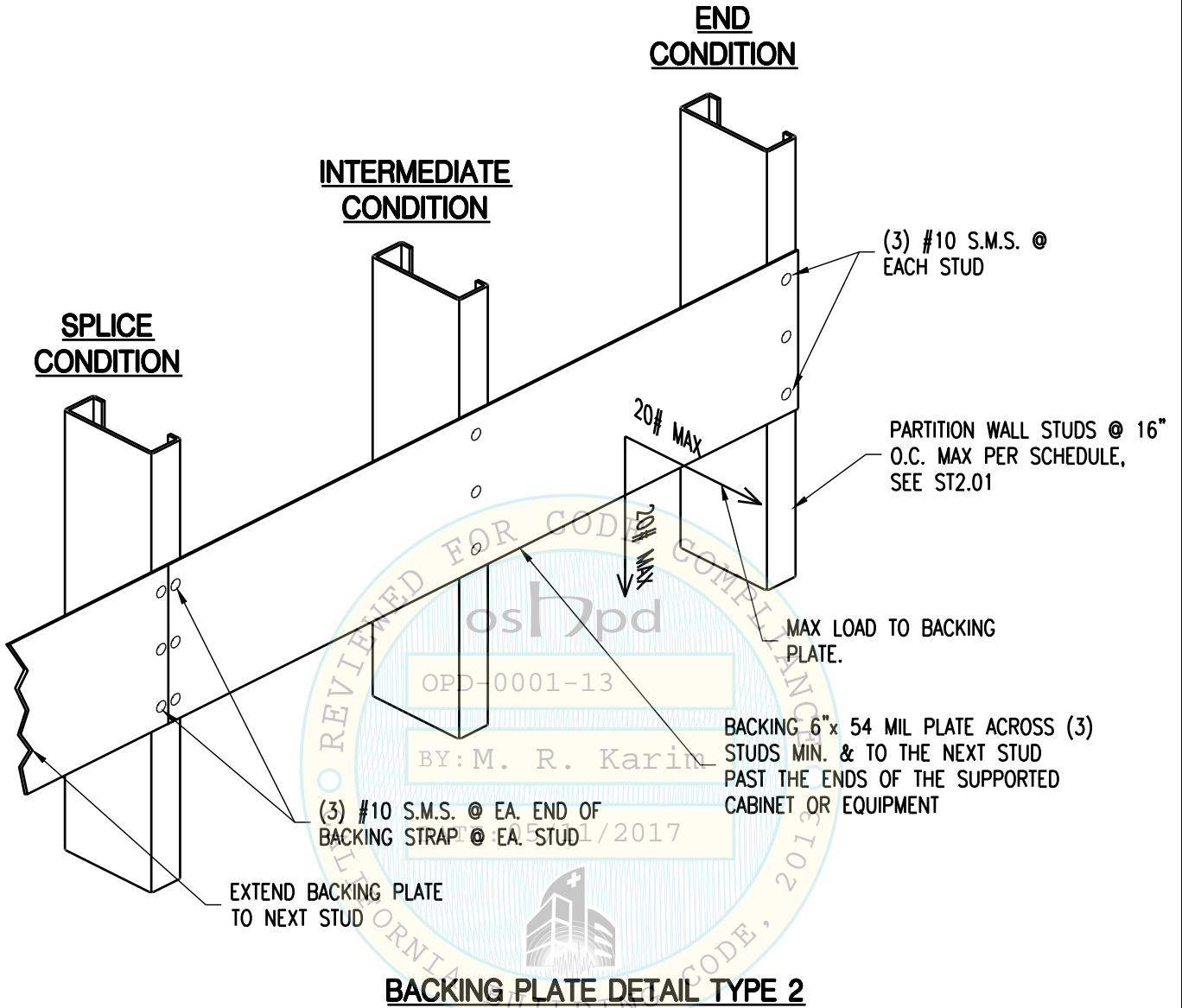
NOTES:

1. BACKING, CONNECTION TO STUD, AND STUDS FOR CABINETS OR EQUIPMENT EXCEEDING THIS LIMIT SHALL BE DESIGNED AND DETAILED BY RDP IN RESPONSIBLE CHARGE.
2. ST5.01 MAY BE USED FOR ATTACHMENT OF CABINETS OR EQUIPMENT DISTRIBUTING LESS THAN 20# PER STUD (CENTER OF GRAVITY LESS THAN 6" FROM FACE OF STUD).
3. NOTCHING OR CUTTING OF BACKING PLATE IS NOT PERMITTED EXCEPT AS SHOWN.

SECTION TITLE:
STANDARD PARTITION WALL DETAILS

SHEET TITLE:
BACKING PLATE DETAIL TYPE 1

OPD NO.:
ST5.00



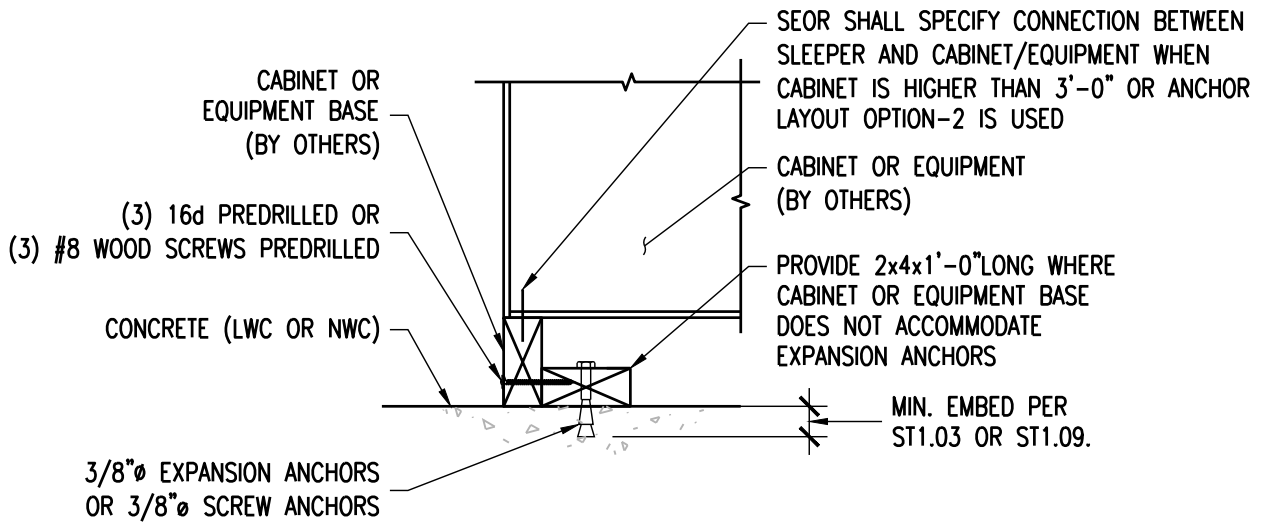
NOTES:

1. THIS DETAIL MAY BE USED FOR ATTACHMENT OF CABINETS OR EQUIPMENT DISTRIBUTING LESS THAN 20# PER STUD (CENTER OF GRAVITY LESS THAN 6" FROM FACE OF STUD).
2. SEE ST5.00 FOR ALTERNATE WELDING OPTION.
3. NOTCHING OR CUTTING OF BACKING PLATE IS NOT PERMITTED.

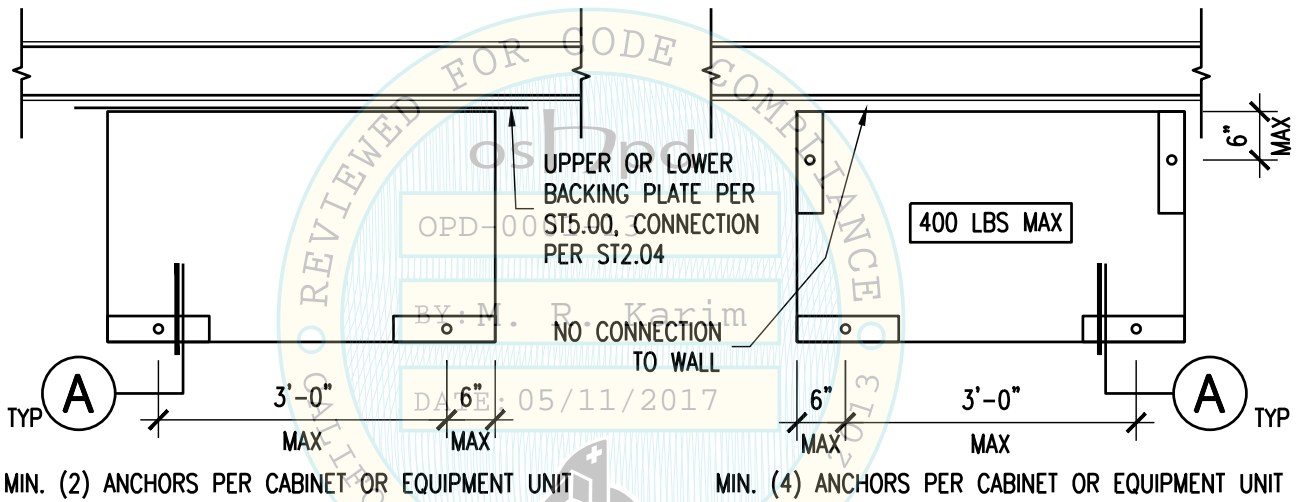
SECTION TITLE:
STANDARD PARTITION WALL DETAILS

SHEET TITLE:
BACKING PLATE DETAIL TYPE 2

OPD NO.:
ST5.01



A ANCHOR DETAIL



1 ANCHOR LAYOUT OPTION - 1

2 ANCHOR LAYOUT OPTION - 2

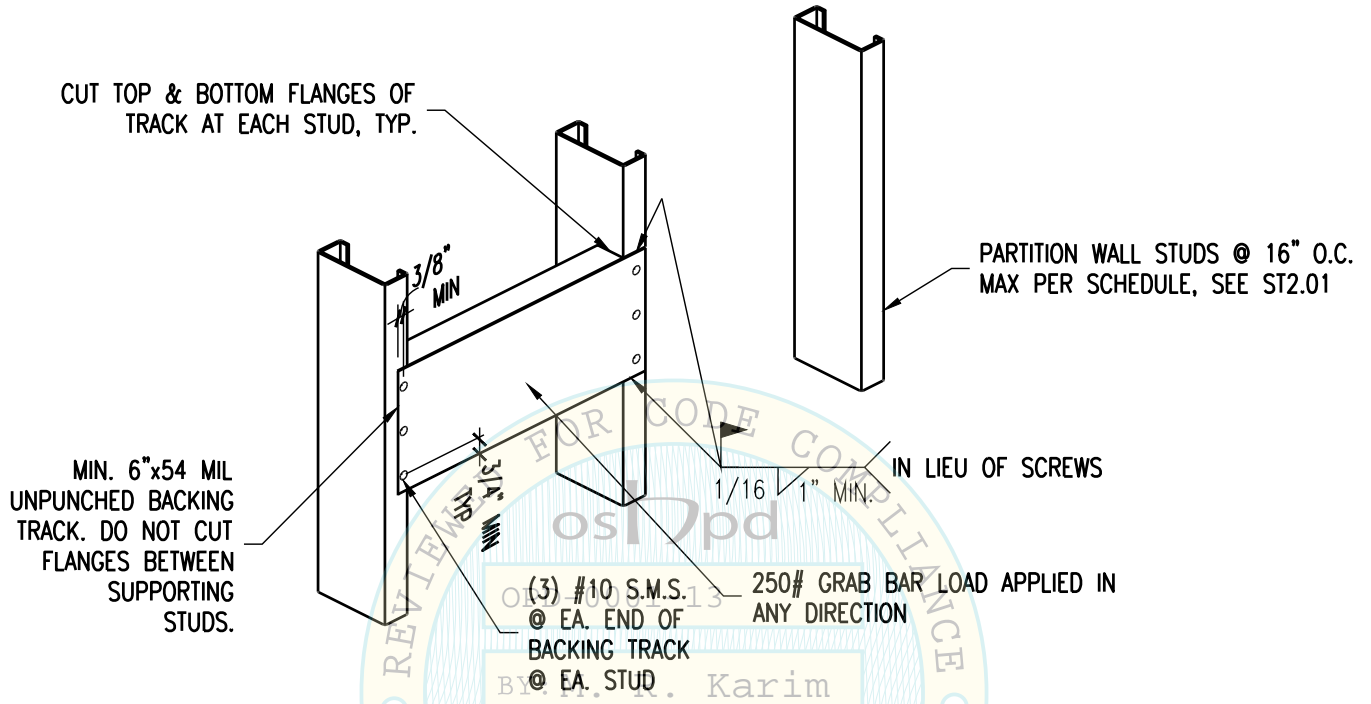
NOTE:

- SEE ST1.03 & ST1.04 FOR EXPANSION ANCHOR REQUIREMENTS, AND SEE ST1.09 & ST1.10 FOR SCREW ANCHOR REQUIREMENTS.

SECTION TITLE:
STANDARD PARTITION WALL DETAILS

SHEET TITLE:
BASE CABINET OR EQUIPMENT ANCHORAGE

OPD NO.:
ST5.02



(A) ISOMETRIC DETAIL
BACKING PLATE DETAIL FOR GRAB BAR

- NOTES:**
 1. NOTCHING OR CUTTING OF BACKING PLATE IS NOT PERMITTED EXCEPT AS SHOWN.

SECTION TITLE: STANDARD PARTITION WALL DETAILS			
SHEET TITLE: BACKING PLATE DETAIL FOR GRAB BAR			OPD NO.:
			ST5.03

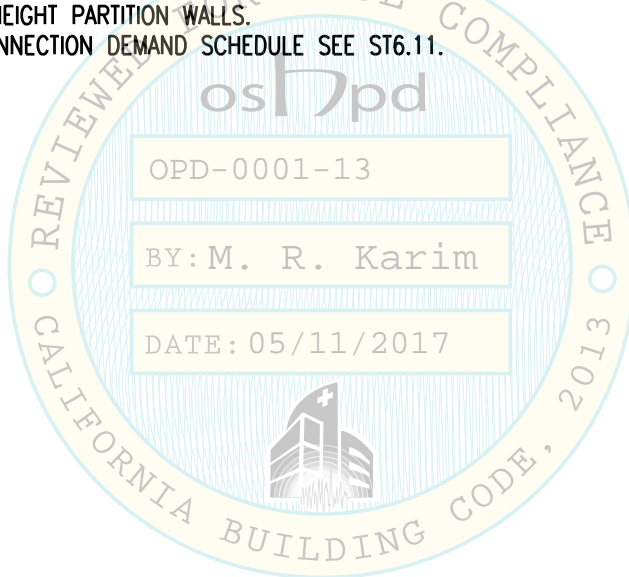
PLOT DATE: May 09, 2017

TOP CONNECTION CONDITIONS - PARTIAL HEIGHT PARTITION WALL

STRUCTURE ABOVE TOP TRACK	PARTIAL HEIGHT PARTITION WALL-BRACE TO STRUCTURE CONNECTION
LIGHT WEIGHT (MIN. 3000 PSI) CONCRETE FILLED METAL DECK	ST6.04
NORMAL WEIGHT (MIN. 3000 PSI) CONCRETE SLAB OR BEAM SOFFIT	ST6.05
CONCRETE PAN JOIST OR WAFFLE SLAB SYSTEM	ST6.06
METAL ROOF DECK WITHOUT CONCRETE FILL	ST6.07
STEEL BEAM	ST6.08 & ST6.09
WOOD FRAMING	ST6.10

NOTES:

- SEE ST6.02 & ST6.03 FOR TYPICAL DETAILS OF CEILING HEIGHT PARTITION WALLS WITH A TOP TRACK CONNECTION BRACED TO THE STRUCTURE ABOVE. SEE ST6.01 FOR BRACE SPACING, SIZE AND CONNECTION SCHEDULE.
- SEE ST7.00 FOR FULL HEIGHT PARTITION WALLS.
- FOR TOP & BOTTOM CONNECTION DEMAND SCHEDULE SEE ST6.11.



SECTION TITLE:
STANDARD PARTITION WALL DETAILS

SHEET TITLE: TOP CONNECTION CONDITIONS - PARTIAL HEIGHT PARTITION WALL		OPD NO.: ST6.00
---	--	---------------------------

PLOT DATE: May 09, 2017

PARTIAL HEIGHT PARTITION WALL BRACE SPACING, SIZE AND CONNECTION SCHEDULES

PARTITION WALL CONDITION 'A'

DETAIL ST6.02

S _{ps}	MAX BRACE SPACING (FT)	BRACE SIZE AND MIL						S.M.S. CONNECTIONS AT BRACE ENDS	
		SINGLE STUD BRACE			BACK TO BACK BRACE			BOTTOM OF BRACE (TO TOP TRACK)	TOP OF BRACE (AT CONNECTION TO STRUCTURE)
		3 5/8"	4"	6"	3 5/8"	4"	6"		
0.25-0.99	10	362S162-43	400S162-43	600S162-43	(2)362S162-43	(2)400S162-43	(2)600S162-43	(4) #10 S.M.S.	(4) #10 S.M.S.
1.00-1.25	9.33	362S162-43	400S162-43	600S162-43	(2)362S162-43	(2)400S162-43	(2)600S162-43	(5) #10 S.M.S. OR (4) #12 S.M.S.	(4) #10 S.M.S.
1.26-1.45	8.75	362S162-43	400S162-43	600S162-43	(2)362S162-43	(2)400S162-43	(2)600S162-43	(5) #10 S.M.S.	(4) #10 S.M.S.
1.46-1.95	7	362S162-43	400S162-43	600S162-43	(2)362S162-43	(2)400S162-43	(2)600S162-43	(5) #10 S.M.S.	(4) #10 S.M.S.

PARTITION WALL CONDITION 'B'

DETAIL ST6.02

S _{ps}	MAX BRACE SPACING (FT)	BRACE SIZE AND MIL						S.M.S. CONNECTIONS AT BRACE ENDS	
		SINGLE STUD BRACE			BACK TO BACK BRACE			BOTTOM OF BRACE (TO TOP TRACK)	TOP OF BRACE (AT CONNECTION TO STRUCTURE)
		3 5/8"	4"	6"	3 5/8"	4"	6"		
0.25-0.99	8	362S162-43	400S162-43	600S162-43	(2)362S162-43	(2)400S162-43	(2)600S162-43	(5) #10 S.M.S.	(4) #10 S.M.S.
1.00-1.25	7	362S162-43	400S162-43	600S162-43	(2)362S162-43	(2)400S162-43	(2)600S162-43	(6) #10 S.M.S. OR (5) #12 S.M.S.	(4) #10 S.M.S.
1.26-1.45	6.5	362S162-43	400S162-43	600S162-43	(2)362S162-43	(2)400S162-43	(2)600S162-43	(6) #10 S.M.S. OR (5) #12 S.M.S.	(4) #10 S.M.S.
1.46-1.95	5.33	362S162-43	400S162-43	600S162-43	(2)362S162-43	(2)400S162-43	(2)600S162-43	(6) #10 S.M.S.	(4) #10 S.M.S.

PARTITION WALL CONDITION 'C' AND 'D'

DETAIL ST6.03

OPD-0001-13

S _{ps}	MAX BRACE SPACING (FT)	BRACE SIZE AND MIL			NUMBER OF S.M.S. AT TOP AND BOTTOM OF BRACE
		BACK TO BACK BRACE			
		3 5/8"	4"	6"	
0.25-0.99	6.67	(2)362S162-43	(2)400S162-43	(2)600S162-43	(8) #10 S.M.S.
1.00-1.25	6	(2)362S162-43	(2)400S162-43	(2)600S162-43	(8) #10 S.M.S.
1.26-1.45	5.5	(2)362S162-43	(2)400S162-43	(2)600S162-43	(8) #10 S.M.S.
1.46-1.95	3.33	(2)362S162-43	(2)400S162-43	(2)600S162-43	(8) #10 S.M.S.

NOTES:

1. THESE TABLES ARE BASED ON THE FOLLOWING DESIGN CRITERIA:
 - A. DEMAND LOADS PER ST6.11.
 - B. 9 FT MAX PARTITION WALL HEIGHT.
 - C. MAX BRACE LENGTH PER ST6.02 OR ST6.03.
 - D. LIMIT OF KL/r TO 200 WHERE,
 - K=1.0, EFFECTIVE LENGTH FACTOR
 - L=LENGTH OF BRACE PER ST6.02 AND ST6.03 (INCHES)
 - r=MINIMUM RADIUS OF GYRATION OF STUD (INCHES)
2. RDP IN RESPONSIBLE CHARGE SHALL DESIGN FOR OTHER CONDITIONS.

SECTION TITLE:

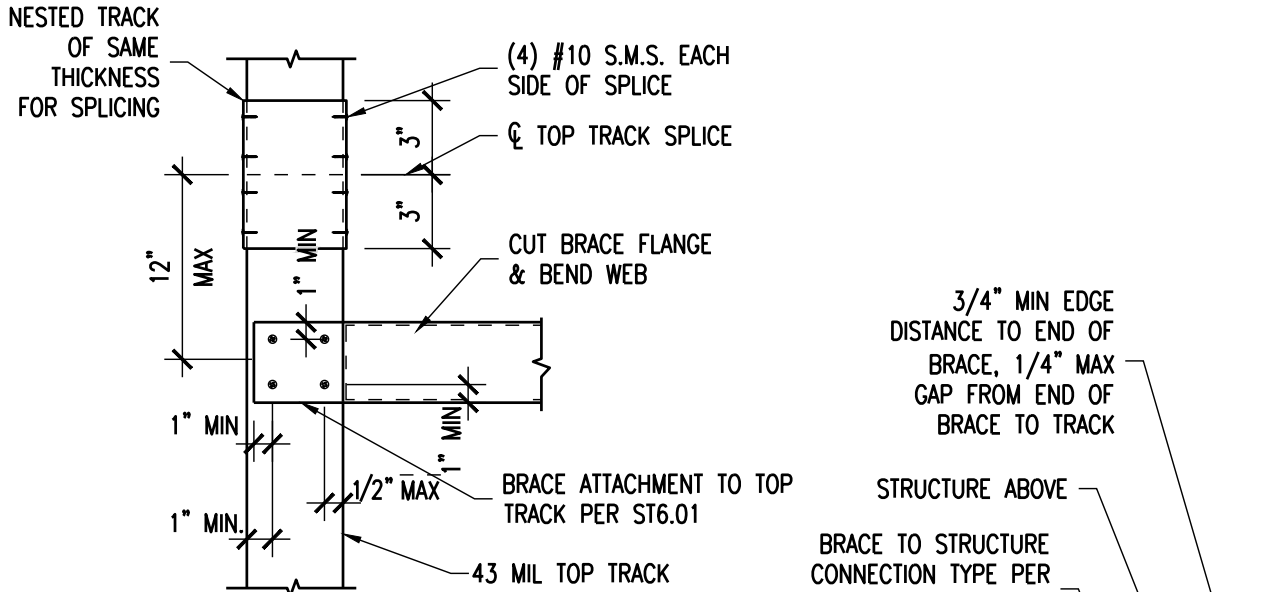
STANDARD PARTITION WALL DETAILS

SHEET TITLE:

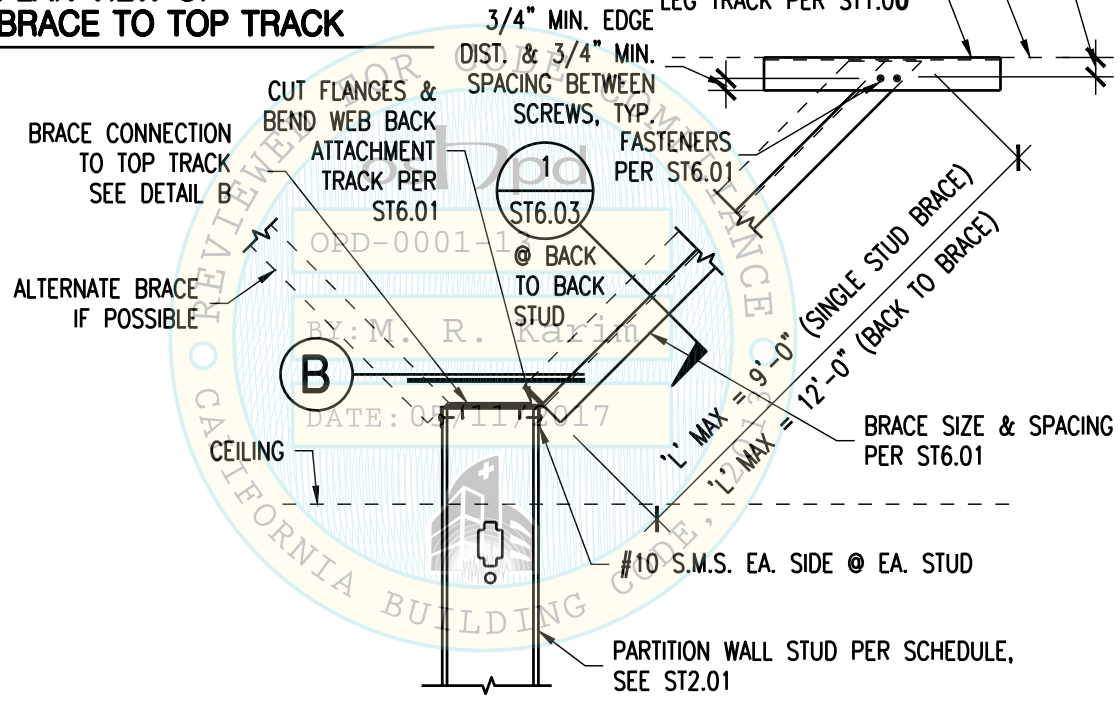
PARTIAL HEIGHT PARTITION WALL BRACE SPACING, SIZE AND CONNECTION SCHEDULES

OPD NO.:

ST6.01



B PLAN VIEW OF BRACE TO TOP TRACK

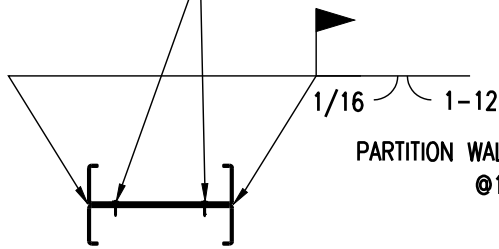


A PARTIAL HEIGHT PARTITION WALL

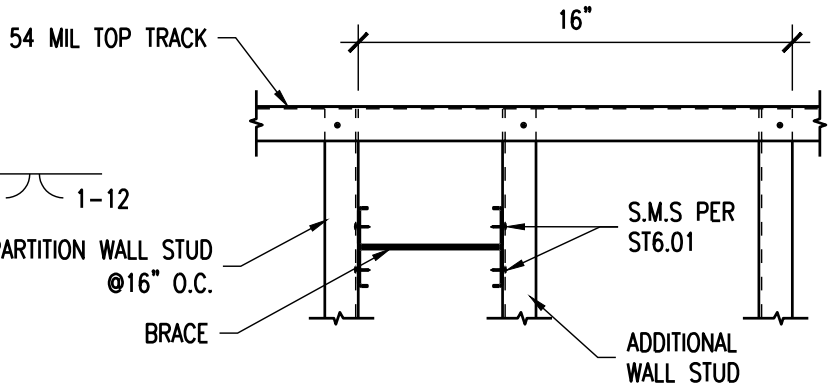
- NOTES:**
1. SEE TOP & BOTTOM CONNECTION DEMAND SCHEDULE ON ST6.11.
 2. SEE ST2.00 FOR DEFINITION OF PARTITION WALL CONDITIONS.
 3. DETAIL APPLIES TO PARTITION WALL CONDITIONS 'A' & 'B', ALL S_{DS} CATERGORIES.

SECTION TITLE: STANDARD PARTITION WALL DETAILS		
SHEET TITLE: PARTIAL HEIGHT PARTITION WALL TOP BRACING - PARTITION WALL CONDITIONS 'A' & 'B'		OPD NO.: ST6.02

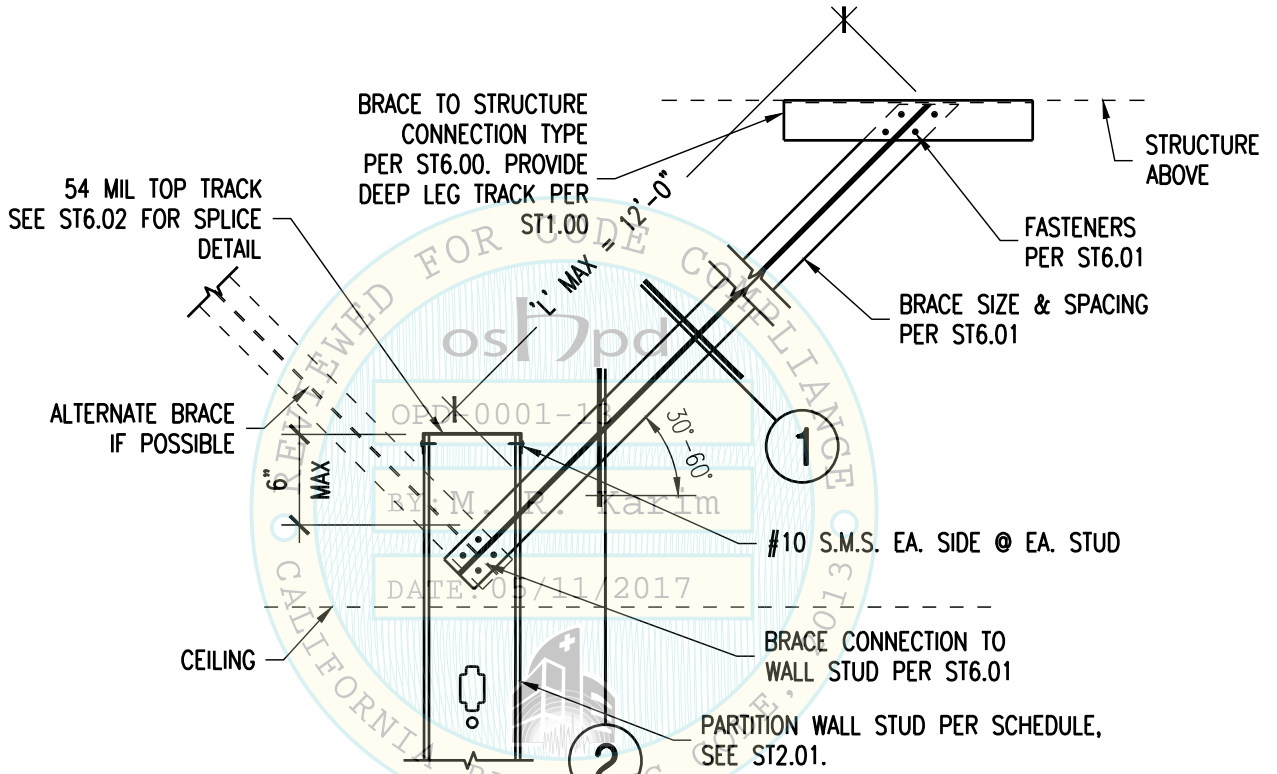
(2) #10 S.M.S. @ 6" O.C.
IN LIEU OF WELDING



1 SECTION
(2) BACK-TO-BACK STUDS



2 ELEVATION



A PARTIAL HEIGHT PARTITION WALL

NOTES:

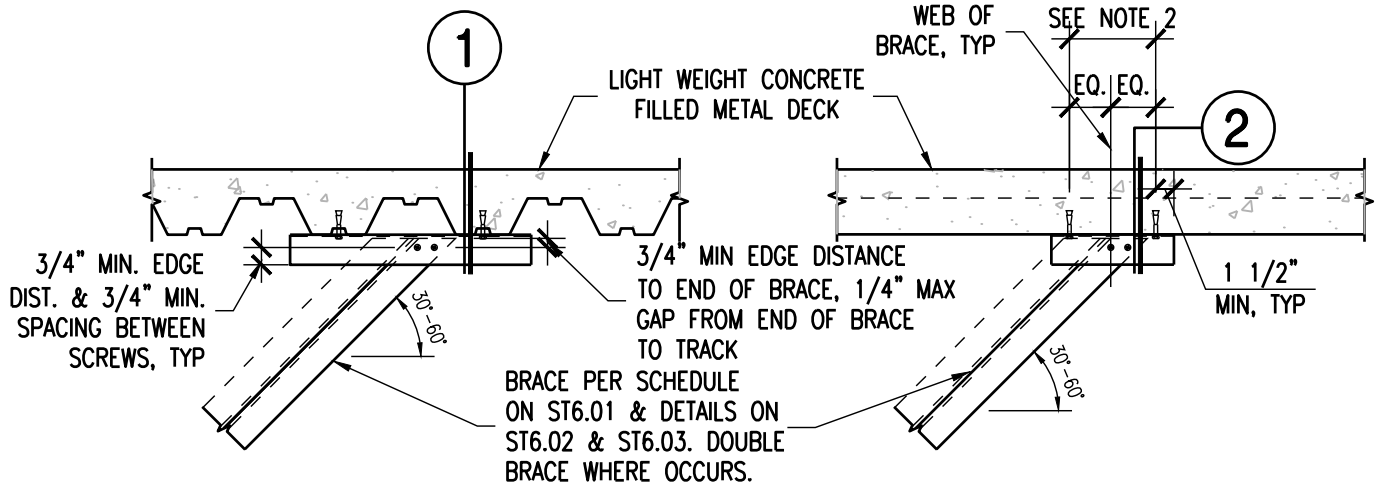
1. SEE TOP & BOTTOM CONNECTION SCHEDULE ON ST6.11.
2. SEE ST2.00 FOR DEFINITION OF PARTITION WALL CONDITIONS.
3. DETAIL APPLIES TO PARTITION WALL CONDITIONS 'C' & 'D', ALL S_{DS} CATEGORIES.

SECTION TITLE:
STANDARD PARTITION WALL DETAILS

SHEET TITLE:
PARTIAL HEIGHT PARTITION WALL TOP BRACING - PARTITION WALL CONDITIONS 'C' & 'D'

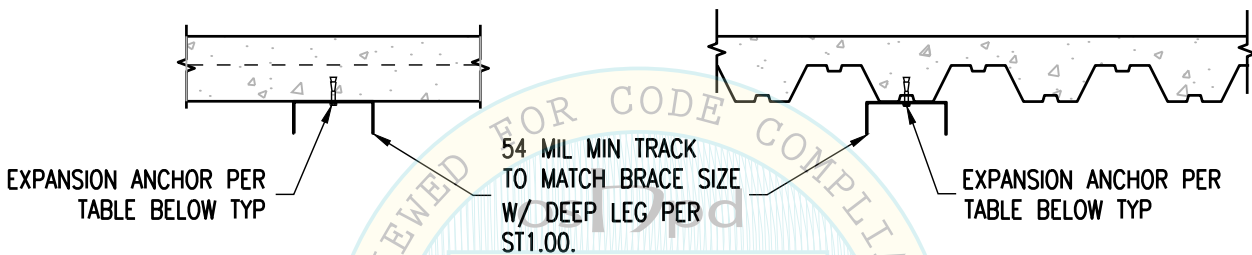
OPD NO.:

ST6.03



BRACE PERPENDICULAR TO FLUTE OF DECK

BRACE PARALLEL TO FLUTE OF DECK



1 SECTION

2 SECTION

BRACE ANCHORAGE TO CONCRETE FILLED METAL DECK

S _{DS}	PARTITION WALL TYPE	EXPANSION ANCHOR QUANTITY, SIZE AND EMBED	ALLOWABLE DECK TYPE
0.25 TO 1.95	CONDITION 'A' & 'B'	(2) 3/8"Ø WITH 2" EMBED	W3"+3 1/4" CONC FILLED DECK PER ST1.09 OR 1 1/2"+2 1/4" CONC FILLED B-DECK PER ST1.13
0.25 TO 1.95	CONDITION 'C' & 'D'	(2) 5/8"Ø WITH 4 1/4" EMBED	W3"+3 1/4" CONC FILLED DECK PER ST1.09 ONLY

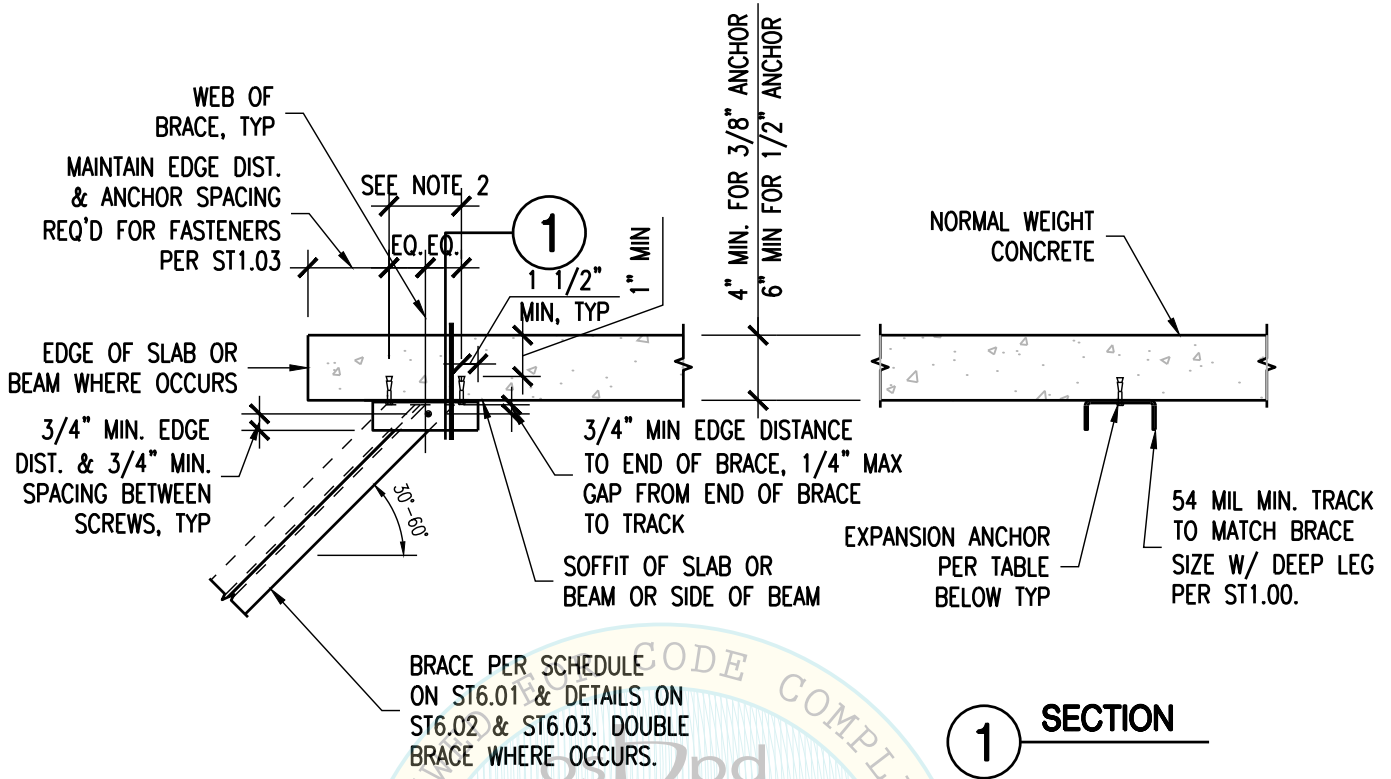
NOTES:

1. SEE TOP & BOTTOM CONNECTION DEMAND SCHEDULE ON ST6.11.
2. SEE ST1.03 & ST1.04 FOR EXPANSION ANCHOR REQUIREMENTS.
3. DETAIL APPLIES TO ALL PARTITION WALL CONDITIONS & ALL S_{DS} CATEGORIES.

SECTION TITLE:
STANDARD PARTITION WALL DETAILS

SHEET TITLE:
BRACE CONNECTION TO CONCRETE FILLED METAL DECK - ALL PARTITION WALL CONDITIONS

OPD NO.:
ST6.04



A BRACE TO CONC. SLAB OR BEAM SOFFIT

BRACE PER SCHEDULE ON ST6.01 & DETAILS ON ST6.02 & ST6.03. DOUBLE BRACE WHERE OCCURS.

BY: M. R. Karim

DATE: 05/11/2017

BRACE ANCHORAGE TO CONCRETE SLAB OR BEAM SOFFIT

S _{DS}	PARTITION WALL TYPE	EXPANSION ANCHOR QUANTITY, SIZE AND EMBED
0.25 TO 1.95	CONDITION 'A' & 'B'	(2) 3/8"Ø WITH 2" EMBED
0.25 TO 1.95	CONDITION 'C' & 'D'	(2) 5/8"Ø WITH 4 1/4" EMBED

NOTES:

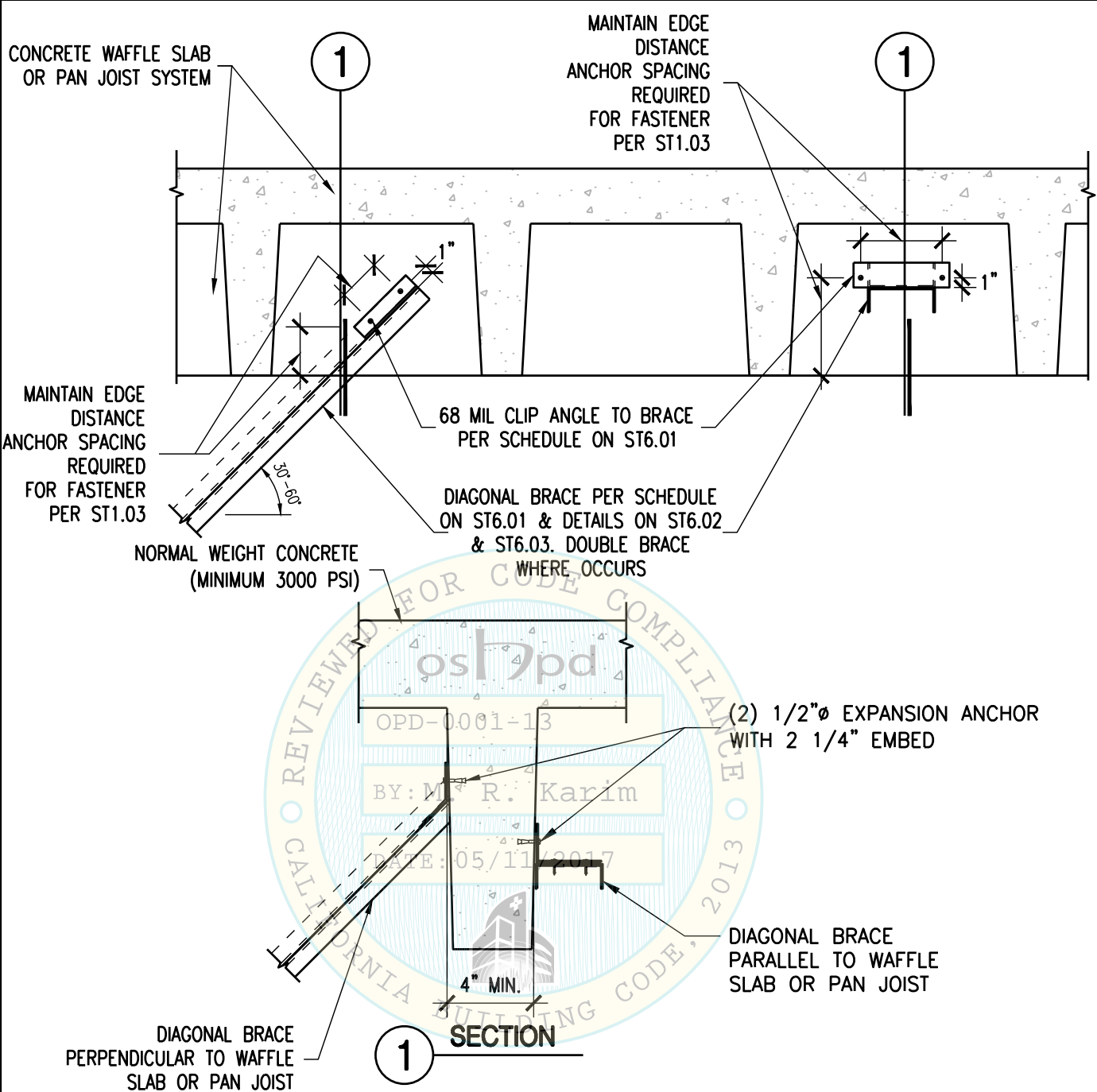
1. SEE TOP & BOTTOM CONNECTION DEMAND SCHEDULE ON ST6.11.
2. SEE ST1.03 & ST1.04 FOR EXPANSION ANCHOR REQUIREMENTS.
3. DETAIL APPLIES TO ALL PARTITION WALL CONDITIONS & ALL S_{DS} CATEGORIES.

SECTION TITLE:
STANDARD PARTITION WALL DETAILS

SHEET TITLE:
BRACE CONNECTION TO CONCRETE SLAB OR BEAM SOFFIT - ALL PARTITION WALL CONDITIONS

OPD NO.:
ST6.05

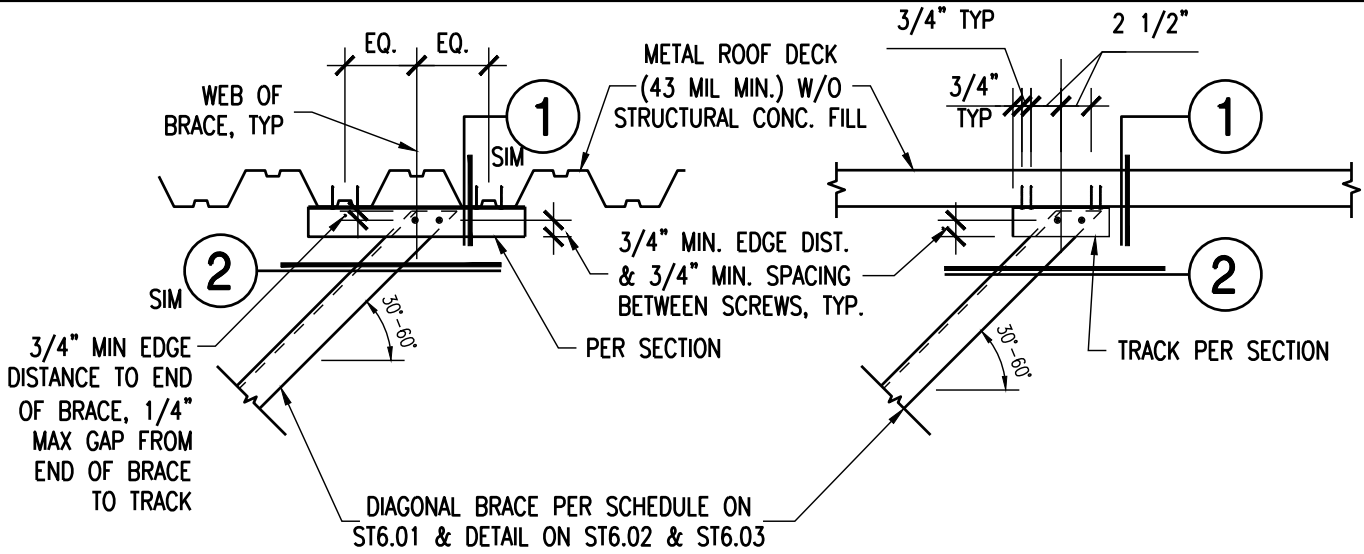
PLOT DATE: May 09, 2017



NOTES:

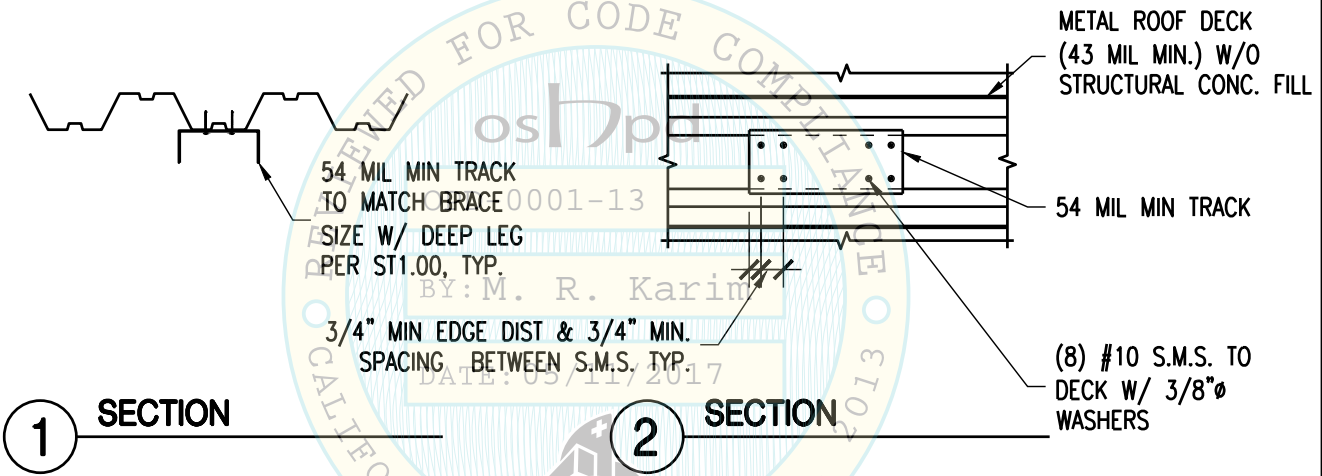
1. SEE TOP CONNECTION DEMAND SCHEDULE ON ST6.11.
2. SEE ST1.03 & ST1.04 FOR EXPANSION ANCHOR REQUIREMENTS.
3. RDP IN RESPONSIBLE CHARGE SHALL VERIFY LOADS IMPOSED ON JOISTS.
4. PRIOR TO ANCHOR INSTALLATION , REINFORCING/ PRESTRESSING BAR LOCATIONS SHALL BE DETERMINED BY NON-DESTRUCTIVE TESTING.
5. DETAIL APPLIES TO ALL PARTITION WALL CONDITIONS & ALL S_{D5} CATEGORIES.

SECTION TITLE: STANDARD PARTITION WALL DETAILS			
SHEET TITLE: BRACE CONNECTION TO CONCRETE PAN JOIST OR WAFFLE SLAB SYSTEM - ALL PARTITION WALL CONDITIONS			OPD NO.: ST6.06



A BRACE PERPENDICULAR TO FLUTE OF DECK

B BRACE PARALLEL TO FLUTE OF DECK



1 SECTION

2 SECTION

NOTES:

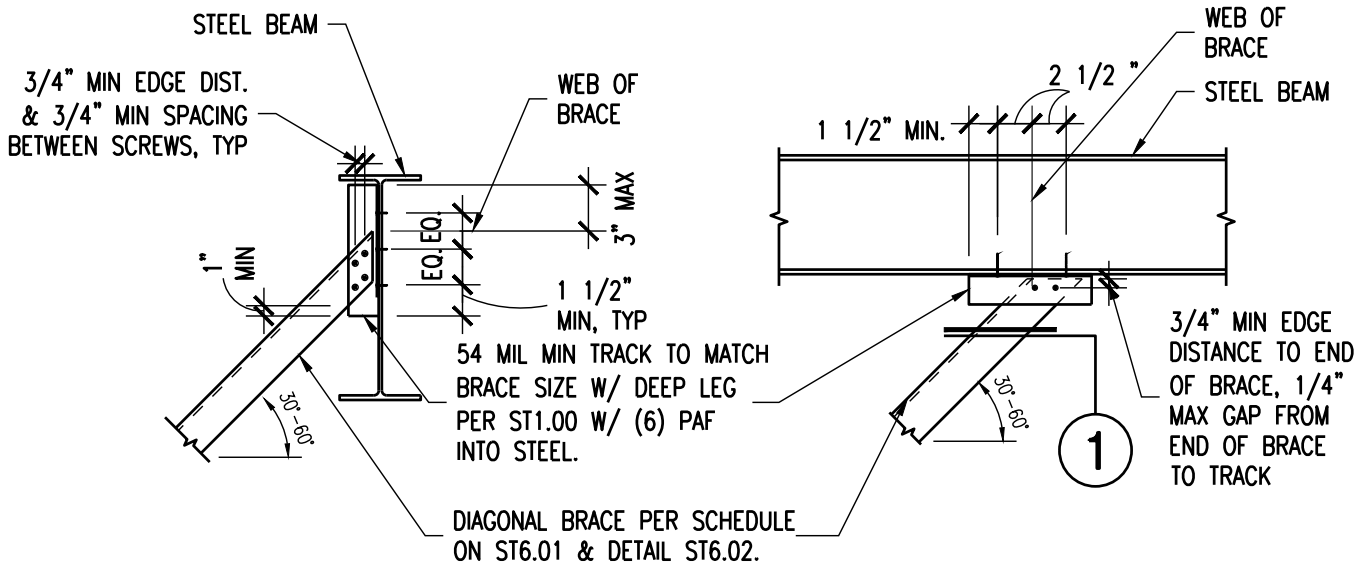
1. RDP IN RESPONSIBLE CHARGE TO PROVIDE CALCULATION FOR OSHPD REVIEW JUSTIFYING THE ABILITY OF METAL DECK TO SUPPORT THE REACTIONS FROM BRACE. SEE TOP CONNECTION DEMAND SCHEDULE ON ST6.11 FOR BRACE REACTIONS.
2. THIS DETAIL IS APPLICABLE ONLY FOR PARTITION WALL CONDITIONS 'A' & 'B', ALL S_{DS} CATEGORIES.
3. RDP IN RESPONSIBLE CHARGE TO EVALUATE PARTITION WALL BRACING FOR CONDITIONS 'C' & 'D', ALL S_{DS} CATEGORIES.

SECTION TITLE:
STANDARD PARTITION WALL DETAILS

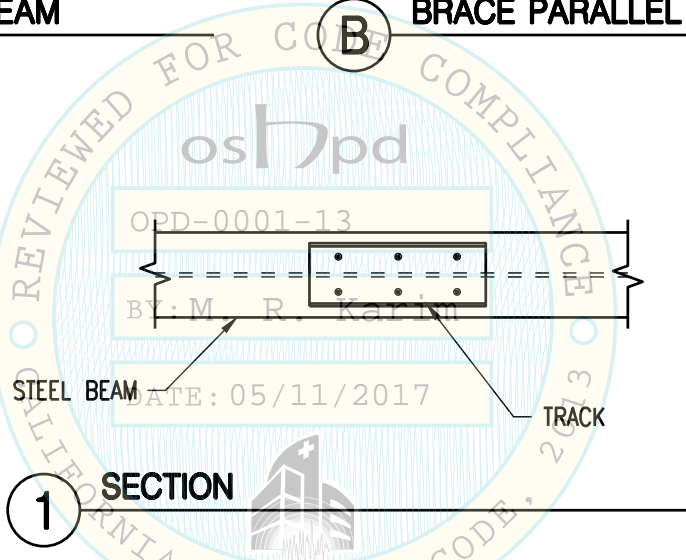
SHEET TITLE:
BRACE CONNECTION TO METAL ROOF DECK
WITHOUT STRUCTURAL CONCRETE FILL -
PARTITION WALL CONDITIONS 'A' & 'B'

OPD NO.:
ST6.07

PLOT DATE: May 09, 2017

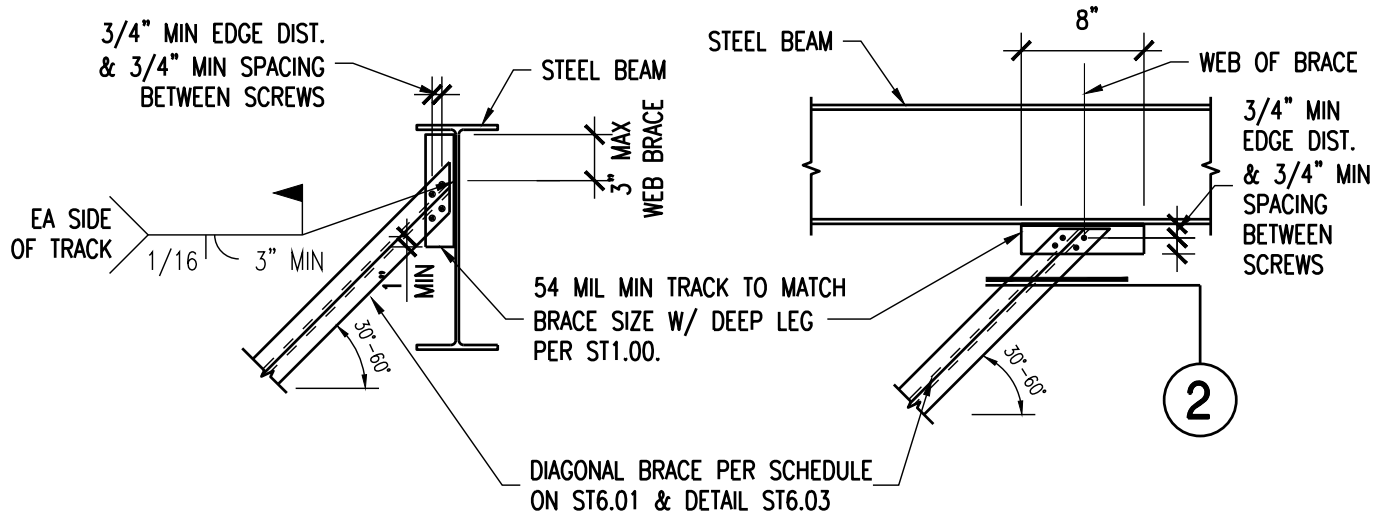


(A) PERPENDICULAR TO STEEL BEAM **(B) BRACE PARALLEL TO STEEL BEAM**

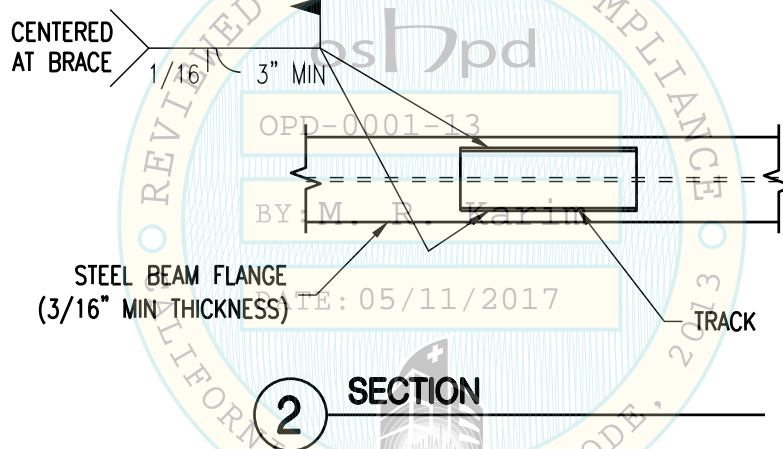


- NOTES:**
1. SEE TOP CONNECTION DEMAND SCHEDULE ON ST6.11.
 2. SEE ST1.05 FOR PAF REQUIREMENTS.
 3. THIS DETAIL IS APPLICABLE ONLY FOR PARTITION WALL CONDITIONS 'A' & 'B', ALL S_{D5} CATEGORIES.
 4. STEEL BEAM FLANGE & WEB MINIMUM THICKNESS = 3/16".
 5. RDP IN RESPONSIBLE CHARGE, IOR AND CONTRACTOR TO VERIFY THAT NO PDF IS INSTALLED IN THE PROTECTED ZONE OF ANY STEEL MEMBER, SEE ANSI/AISC 341-10.

SECTION TITLE: STANDARD PARTITION WALL DETAILS		
SHEET TITLE: BRACE CONNECTION TO STEEL BEAM - PARTITION WALL CONDITIONS 'A' & 'B'		OPD NO.: ST6.08



(C) BRACE PERPENDICULAR TO STEEL BEAM **(D) BRACE PARALLEL TO STEEL BEAM**



NOTES:

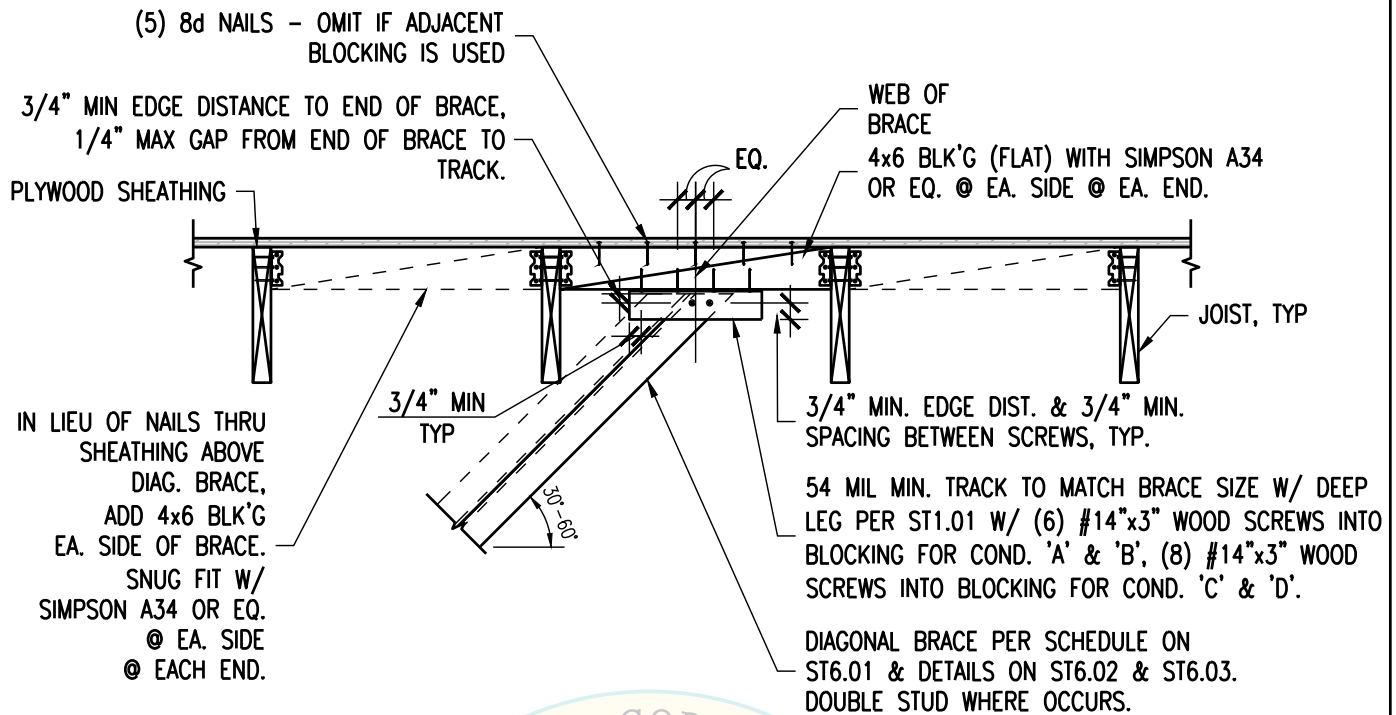
1. SEE TOP CONNECTION DEMAND SCHEDULE ON ST6.11.
2. THIS DETAIL IS APPLICABLE FOR PARTITION WALL CONDITIONS 'C' & 'D', ALL S_{DS} CATEGORIES. AS AN ALTERNATE TO ST6.08, THIS DETAIL CAN BE USED FOR ALL PARTITION WALL CONDITIONS.
3. STEEL BEAM FLANGE & WEB MINIMUM THICKNESS = 3/16".
4. RDP IN RESPONSIBLE CHARGE, IOR AND CONTRACTOR TO VERIFY THAT NO WELD IS INSTALLED IN THE PROTECTED ZONE OF ANY STEEL MEMBER, SEE ANSI/AISC 341-10.

SECTION TITLE:
STANDARD PARTITION WALL DETAILS

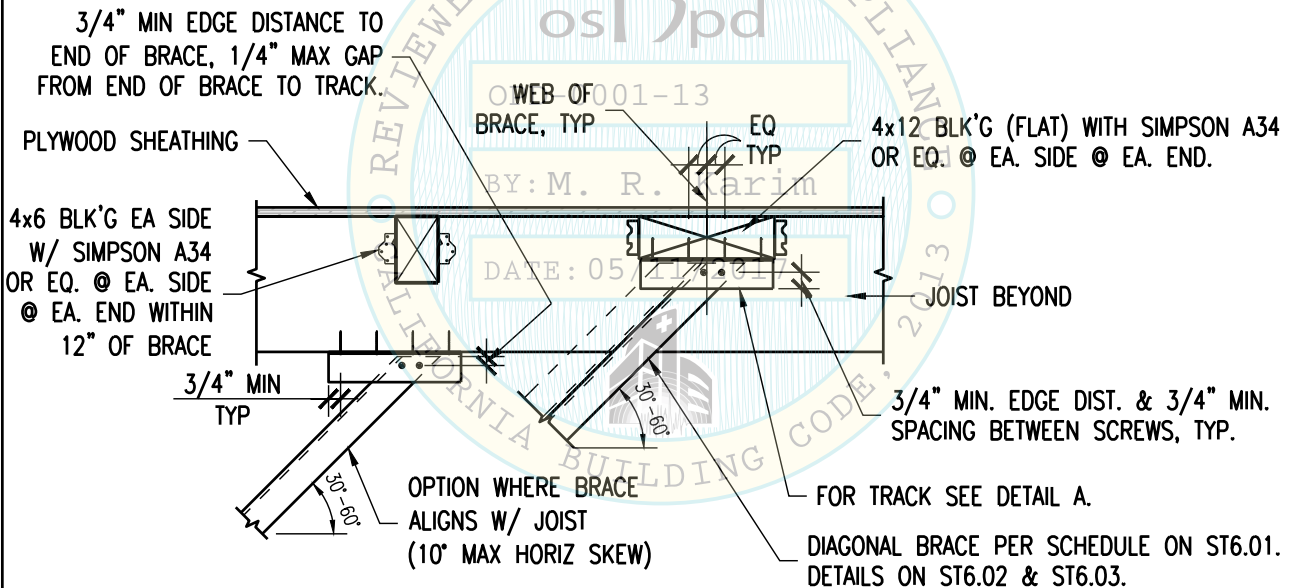
SHEET TITLE:
BRACE CONNECTION TO STEEL BEAM -
PARTITION WALL CONDITIONS 'C' & 'D'

OPD NO.:
ST6.09

PLOT DATE: May 09, 2017



A BRACE PERPENDICULAR TO JOIST ABOVE



B BRACE PARALLEL TO JOIST ABOVE

NOTES:

1. SEE TOP CONNECTION DEMAND SCHEDULE ON ST6.11.
2. DETAIL APPLIES TO ALL PARTITION WALL CONDITIONS & ALL S_{DS} CATEGORIES.

SECTION TITLE:
STANDARD PARTITION WALL DETAILS

SHEET TITLE:
BRACE CONNECTION TO WOOD FRAMING - ALL PARTITION WALL CONDITIONS

OPD NO.:
ST6.10

TOP AND BOTTOM CONNECTION DEMAND SCHEDULES

TOP AND BOTTOM CONNECTION DEMANDS (PARTITION WALL CONDITION 'A')

S _{DS}	SEISMIC REACTION AT THE TOP & BOTTOM CONNECTION FOR DIFFERENT WALL HEIGHT (LBS/FT)		
	9 FT	12 FT	16 FT
0.25-0.99	17	23	31
1.00-1.25	22	29	38
1.26-1.45	26	34	45
1.46-1.95	34	45	60

TOP AND BOTTOM CONNECTION DEMANDS (PARTITION WALL CONDITION 'B')

S _{DS}	SEISMIC REACTION AT THE TOP & BOTTOM CONNECTION FOR DIFFERENT WALL HEIGHT (LBS/FT)					
	9 FT		12 FT		16 FT	
	BOTTOM	TOP	BOTTOM	TOP	BOTTOM	TOP
0.25-0.99	25	29	33	32	43	38
1.00-1.25	32	36	42	40	54	47
1.26-1.45	37	42	50	47	64	54
1.46-1.95	50	56	67	61	86	72

TOP AND BOTTOM CONNECTION DEMANDS (PARTITION WALL CONDITION 'C')

S _{DS}	SEISMIC REACTION AT THE TOP & BOTTOM CONNECTION FOR DIFFERENT WALL HEIGHT (LBS/FT)					
	9 FT		12 FT		16 FT	
	BOTTOM	TOP	BOTTOM	TOP	BOTTOM	TOP
0.25-0.99	127	83	149	72	169	68
1.00-1.25	161	102	188	89	213	84
1.26-1.45	188	118	220	104	249	97
1.46-1.95	254	156	296	137	334	129

DATE: 05/11/2017

TOP AND BOTTOM CONNECTION DEMANDS (PARTITION WALL CONDITION 'D')

S _{DS}	SEISMIC REACTION AT THE TOP & BOTTOM CONNECTION FOR DIFFERENT WALL HEIGHT (LBS/FT)					
	9 FT		12 FT		16 FT	
	BOTTOM	TOP	BOTTOM	TOP	BOTTOM	TOP
0.25-0.99	101	77	122	68	141	65
1.00-1.25	128	98	155	86	179	81
1.26-1.45	149	114	180	101	208	95
1.46-1.95	200	152	241	134	278	127

NOTES:

1. CONNECTION DEMANDS ARE PROVIDED TO ALLOW RDP IN RESPONSIBLE CHARGE TO VERIFY NON PRE-APPROVED COMPONENTS OF THE FRAMING SYSTEM AND THE SUPPORTING STRUCTURE.
2. SEE ST2.02 FOR TYPICAL PARTITION WALL SECTIONS.
3. LOADS GIVEN IN PLF MULTIPLY BY APPROPRIATE BRACE SPACING FOR REACTIONS.
4. LOADS GIVEN DO NOT INCLUDE Ω_c FOR CONCRETE ATTACHMENTS ASCE 7-10 W/ SUPPLEMENT #1 TABLE 13.5-1.

SECTION TITLE:

STANDARD PARTITION WALL DETAILS

SHEET TITLE:

TOP & BOTTOM CONNECTION DEMAND SCHEDULES

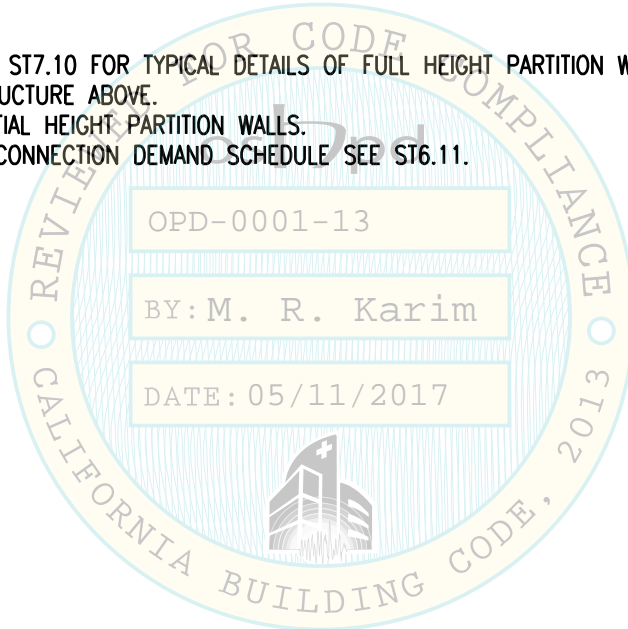
OPD NO.:

ST6.11

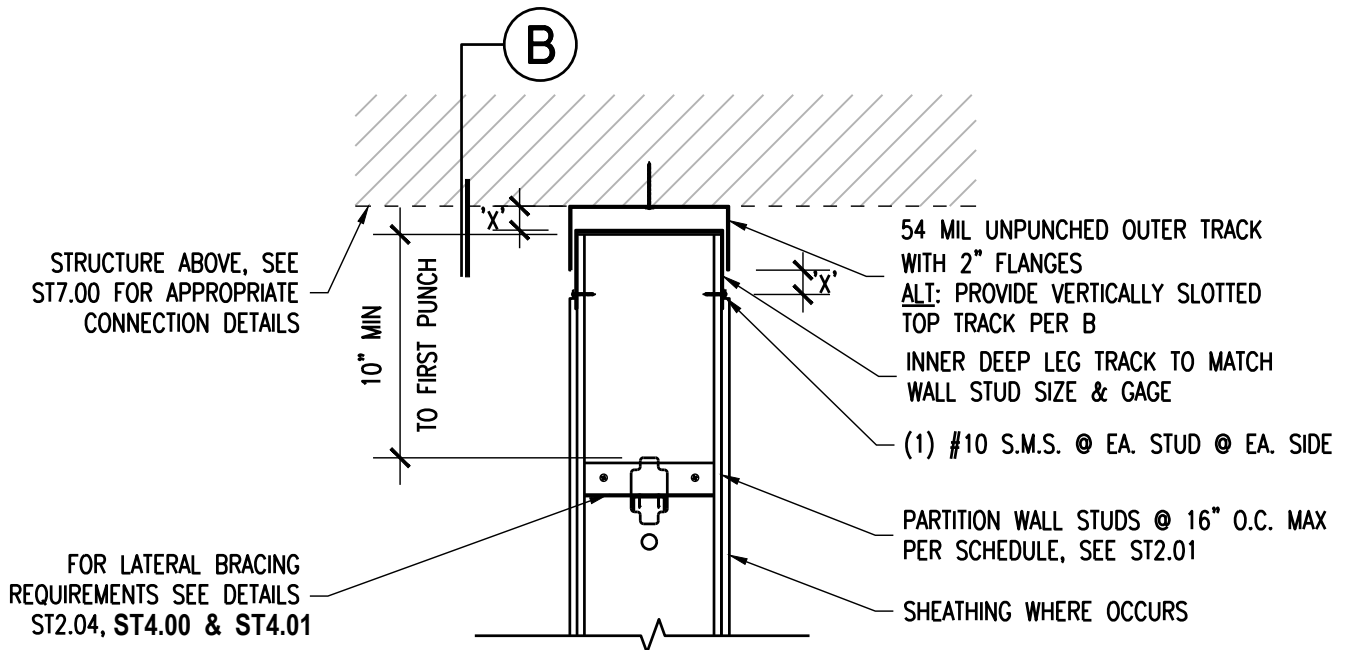
STRUCTURE ABOVE TOP TRACK	FULL HEIGHT PARTITION WALL-TOP TRACK TO STRUCTURE CONNECTION
LIGHT WEIGHT (MIN. 3000 PSI) CONCRETE FILLED METAL DECK	ST7.02 & ST7.03
NORMAL WEIGHT (MIN. 3000 PSI) CONCRETE SLAB OR BEAM SOFFIT	ST7.02 & ST7.03
CONCRETE PAN JOIST OR WAFFLE SLAB SYSTEM	ST7.03, ST7.05 & ST7.06
METAL ROOF DECK WITHOUT STRUCTURAL CONCRETE FILL	ST7.07
STEEL BEAM	ST7.08
WOOD FRAMING	ST7.09

NOTES:

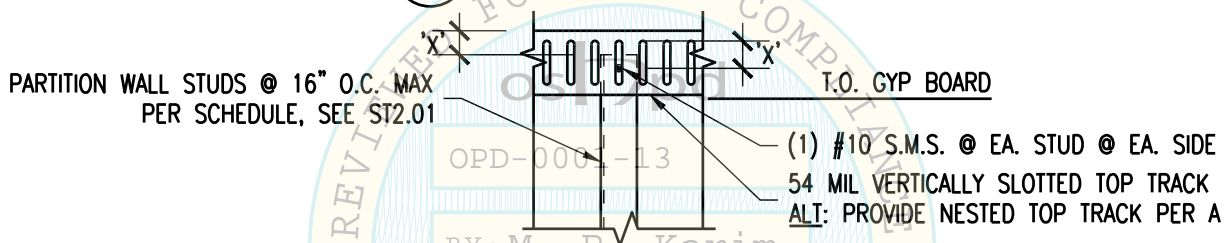
1. SEE ST7.01 THROUGH ST7.10 FOR TYPICAL DETAILS OF FULL HEIGHT PARTITION WALLS WITH A TOP TRACK CONNECTION DIRECTLY TO THE STRUCTURE ABOVE.
2. SEE ST6.00 FOR PARTIAL HEIGHT PARTITION WALLS.
3. FOR TOP & BOTTOM CONNECTION DEMAND SCHEDULE SEE ST6.11.



SECTION TITLE: STANDARD PARTITION WALL DETAILS		
SHEET TITLE: TOP CONNECTION CONDITIONS - FULL HEIGHT PARTITION WALL		OPD NO.: ST7.00



(A) NESTED TOP TRACK



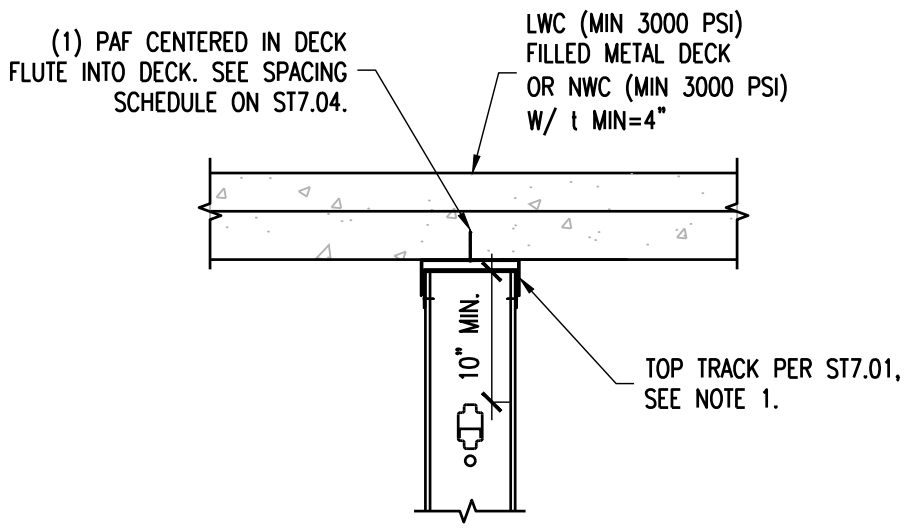
(B) VERTICALLY SLOTTED TOP TRACK

NOTES:

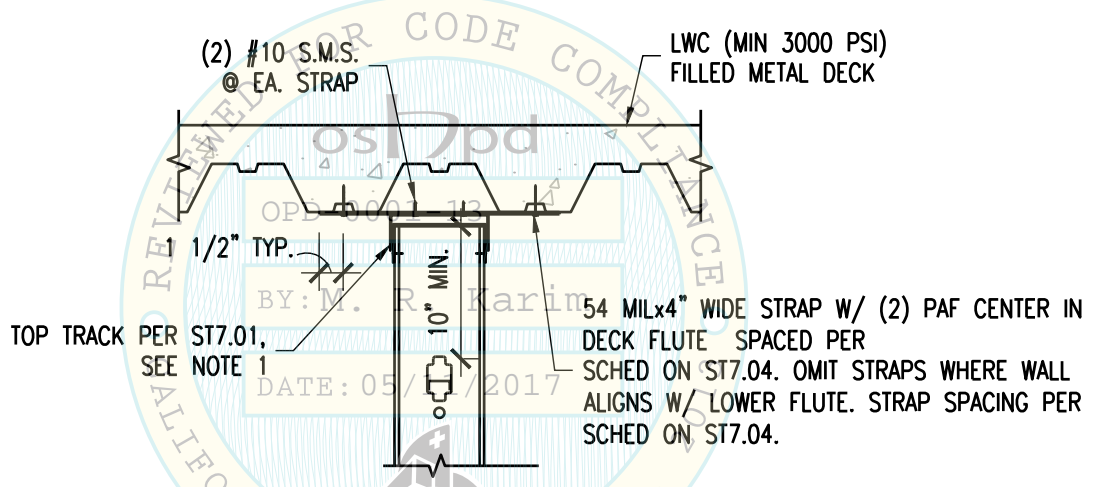
1. DO NOT CONNECT OUTER TRACK TO INNER TRACK OR STUDS (DETAIL A ONLY).
2. DO NOT CONNECT WALL FINISH TO OUTER TRACK (DETAILS A & B).
3. GAP 'X' - BY RDP IN RESPONSIBLE CHARGE, 1/2" MIN. TO 3/4" MAX.
4. RDP IN RESPONSIBLE CHARGE TO VERIFY "UL" RATING FOR HEAD OF WALL ASSEMBLY. APPROVED FIRE RESISTANT ASSEMBLY REQUIRED.
5. DETAIL B TO BE USED WHERE ONLY VERTICAL SLIP REQUIRED. WHERE HORIZONTAL, IN-PLANE SLIP IS REQUIRED, USE DETAIL A, DO NOT USE DETAIL B. DO NOT USE DETAIL B FOR ST7.08.
6. SEE TOP CONNECTION DEMAND SCHEDULE ON ST6.11.
7. LATERAL BRACING ONLY REQUIRED IF GYP BOARD IS NOT FULL HEIGHT ON BOTH SIDES OF PARTITION WALL SEE ST2.06, ST4.00 & ST4.01.
8. DETAIL APPLIES TO ALL PARTITION WALL CONDITIONS & ALL S₀₅ CATEGORIES.

SECTION TITLE:
STANDARD PARTITION WALL DETAILS

SHEET TITLE: TYPICAL TOP TRACK ANCHORAGE - ALL PARTITION WALL CONDITIONS			OPD NO.:
			ST7.01



A ANCHORAGE TO CONC. SLAB & CONC. FILLED METAL DECK
(FLUTES PERPENDICULAR TO WALL)



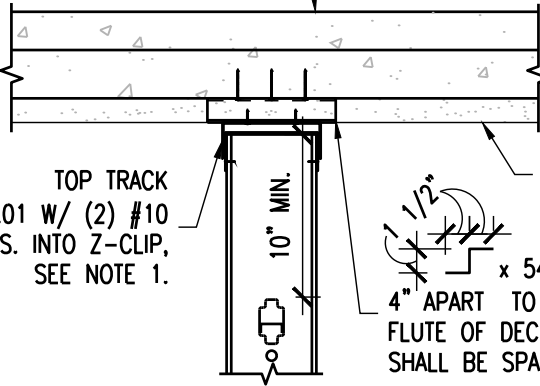
B ANCHORAGE TO CONC. FILLED METAL DECK
(FLUTES PARALLEL TO WALL)

- NOTES:**
1. SEE TOP CONNECTION DEMAND SCHEDULE ON ST6.11.
 2. SEE ST1.01 & ST1.02 FOR PAF REQUIREMENTS.
 3. SEE ST7.10 FOR CONNECTION AT JAMB LOCATION.
 4. SEE ST2.01 FOR PARTITION WALL STUD SCHEDULE.
 5. DETAIL APPLIES TO ALL PARTITION WALL CONDITIONS & ALL S_{D5} CATEGORIES.

SECTION TITLE: STANDARD PARTITION WALL DETAILS		
SHEET TITLE: TOP TRACK CONNECTION TO LWC FILLED METAL DECK & NWC SLAB - ALL PARTITION WALL CONDITIONS		OPD NO.: ST7.02

LWC (MIN 3000 PSI) FILLED METAL DECK
OR NWC (MIN 3000 PSI) W/ t MIN=4"

TOP TRACK
PER ST7.01 W/ (2) #10
S.M.S. INTO Z-CLIP,
SEE NOTE 1.



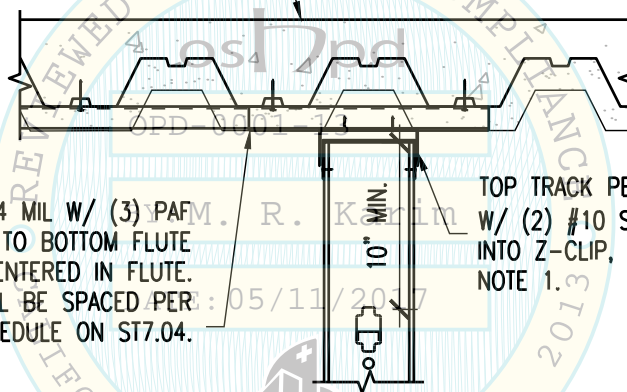
FIRE PROOFING
WHERE OCCURS

x 54 MIL W/ (3) PAF SPACED
4" APART TO BOTTOM
FLUTE OF DECK CENTERED IN FLUTE. Z-CLIP
SHALL BE SPACED PER SCHEDULE ON ST7.04.

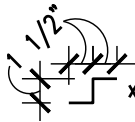
**C ANCHORAGE TO CONC. SLAB & FILLED
METAL DECK W/ FIREPROOFING**

(FLUTES PERPENDICULAR TO PARTITION WALL)

LWC (MIN 3000 PSI)
FILLED METAL DECK



FIRE PROOFING
WHERE OCCURS



x 54 MIL W/ (3) PAF
TO BOTTOM FLUTE
OF DECK CENTERED IN FLUTE.
Z-CLIP SHALL BE SPACED PER
SCHEDULE ON ST7.04.

TOP TRACK PER ST7.01
W/ (2) #10 S.M.S.
INTO Z-CLIP, SEE
NOTE 1.

**D ANCHORAGE TO CONC. FILLED
METAL DECK W/ FIREPROOFING**

(FLUTES PARALLEL TO PARTITION WALL)

NOTES:

1. SEE TOP CONNECTION DEMAND SCHEDULE ON ST6.11.
2. SEE ST1.01 & ST1.02 FOR PAF REQUIREMENTS.
3. SEE ST7.10 FOR CONNECTION AT JAMB LOCATION.
4. SEE ST2.01 FOR PARTITION WALL PARTITION STUD SCHEDULE.
5. DETAIL APPLIES TO ALL PARTITION WALL CONDITIONS & ALL S_{DS} CATEGORIES.

SECTION TITLE:

STANDARD PARTITION WALL DETAILS

SHEET TITLE:

TOP TRACK CONNECTION TO LWC FILLED
METAL DECK & NWC SLAB W/
FIREPROOFING-ALL PARTITION WALL CONDITIONS

OPD NO.:

ST7.03

TOP TRACK CONNECTION TO LWC FILLED METAL DECK & NWC SLAB (MIN 3000 PSI) FASTENER SPACING SCHEDULES

PARTITION WALL CONDITION 'A'

S _{DS} / WALL HEIGHT	PAF SPACING (INCHES O.C.) PER ST7.02 DETAIL A		
	9 FT	12 FT	16 FT
0.25-0.99	30	24	18
1.00-1.25	24	18	12
1.26-1.45	24	18	12
1.46-1.95	18	12	6

FOR DETAIL B THROUGH D (STRAP OR Z-CLIP) DOUBLE THE SPACING INDICATED UP TO 48" OC.

PARTITION WALL CONDITION 'B'

S _{DS} / WALL HEIGHT	PAF SPACING (INCHES O.C.) PER ST7.02 DETAIL A		
	9 FT	12 FT	16 FT
0.25-0.99	18	18	12
1.00-1.25	12	12	12
1.26-1.45	12	12	6
1.46-1.95	6	6	6

FOR DETAIL B THROUGH D (STRAP OR Z-CLIP) DOUBLE THE SPACING INDICATED UP TO 48" OC.

PARTITION WALL CONDITION 'C'

S _{DS} / WALL HEIGHT	PAF SPACING (INCHES O.C.) PER ST7.02 DETAIL A		
	9 FT	12 FT	16 FT
0.25-0.99	6	6	6
1.00-1.25	6	6	6
1.26-1.45	6	6	6
1.46-1.95	6	6	6

FOR DETAIL B THROUGH D (STRAP OR Z-CLIP) DOUBLE THE SPACING INDICATED UP TO 48" OC.

PARTITION WALL CONDITION D'

S _{DS} / WALL HEIGHT	PAF SPACING (INCHES O.C.) PER ST7.02 DETAIL A		
	9 FT	12 FT	16 FT
0.25-0.99	6	6	6
1.00-1.25	6	6	6
1.26-1.45	6	6	6
1.46-1.95	6	6	6

FOR DETAIL B THROUGH D (STRAP OR Z-CLIP) DOUBLE THE SPACING INDICATED UP TO 48" OC.

NOTES:

1. SEE ST7.02 & ST7.03 FOR DETAILS A, B, C, & D.
2. VALUES IN TABLES ABOVE REPRESENT MAXIMUM SPACING. DECREASE SPACING AS REQ'D TO COORDINATE W/ METAL DECK FLUTE SPACING. WHERE PAF SPACING IS LESS THAN 12" OC, OK TO PROVIDE MULTIPLE PAF AT LOW FLUTE AS REQUIRED. MAINTAIN EDGE DISTANCE AND SPACING REQUIREMENTS PER ST1.01 & ST1.02.
3. SPACING LISTED INCLUDES Ω. PER ASCE 7-10 W/ SUPPLEMENT #1 TABLE 13.5-1.

SECTION TITLE:

STANDARD PARTITION WALL DETAILS

SHEET TITLE:

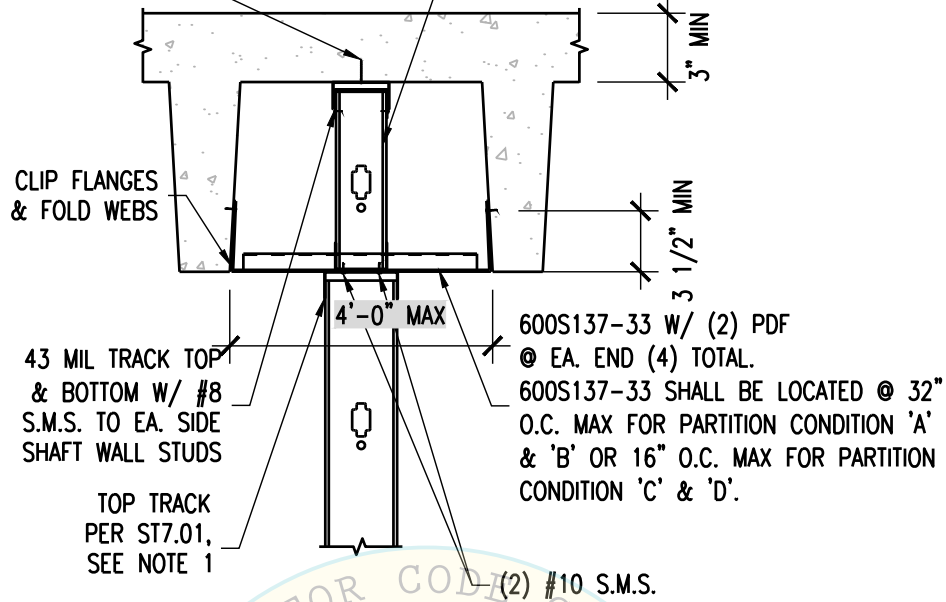
**TOP TRACK CONNECTION TO LWC FILLED
METAL DECK & NWC SLAB
FASTENER SPACING SCHEDULES**

OPD NO.:

ST7.04

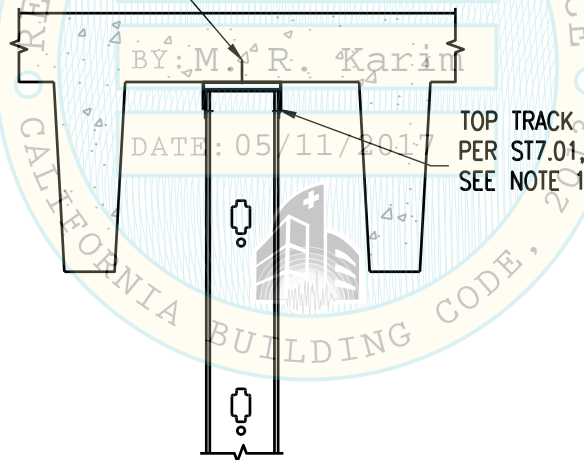
(1) PAF (EXCEPT WHERE CONCRETE THICKNESS IS LESS THAN 4" USE 1" EMBED)

2 1/2"x 33 MIL METAL STUD FOR INFILL/SHAFT WALL AS REQ'D



A ANCHORAGE TO CONC. WAFFLE SLAB

(1) PAF (EXCEPT WHERE CONCRETE THICKNESS IS LESS THAN 4" USE 1" EMBED) @ 8" MAX O.C. FOR PART CONDITION 'A' & 'B' @ 4" MAX O.C. FOR PART CONDITION 'C' & 'D'



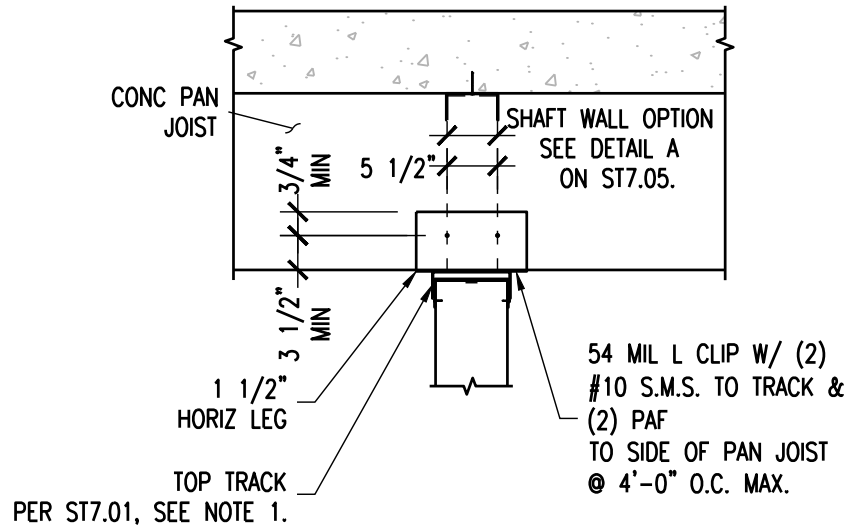
B ANCHORAGE FOR PARTITION WALL PARALLEL TO CONC. PAN JOIST

NOTES:

1. SEE TOP CONNECTION DEMAND SCHEDULE ON ST6.11.
2. SEE ST1.01 & ST1.02 FOR PAF REQUIREMENTS.
3. SEE ST2.00 FOR TYPICAL PARTITION WALL CONDITIONS.
4. SEE ST2.01 FOR PARTITION WALL STUD SCHEDULE.
5. DETAIL APPLIES TO ALL PARTITION WALL CONDITIONS & ALL S₀₅ CATEGORIES.

SECTION TITLE: STANDARD PARTITION WALL DETAILS		
SHEET TITLE: TOP TRACK CONNECTION TO CONCRETE PAN JOIST AND WAFFLE SLAB SYSTEM - ALL PARTITION WALL CONDITIONS		OPD NO.: ST7.05

PLOT DATE: May 09, 2017



D

ANCHORAGE FOR PARTITION WALL PERPENDICULAR TO CONC. PAN JOIST

ANCHORAGE FOR PARTITION PERP. TO CONC. PAN JOIST							
SDS/ WALL HT.	OPD-0001-1 PARTITION TYPE						CONDITIONS 'C' & 'D'
	CONDITION 'A'		CONDITION 'B'				
	9 FT	12 FT	16 FT	9 FT	12 FT	16 FT	ALL
0.25-0.99	✓	✓	✓	✓	-	-	-
1.00-1.25	✓	✓	-	-	-	-	-
1.26-1.45	✓	-	-	-	-	-	-
1.46-1.95	-	-	-	-	-	-	-

- DETAIL D CAN BE USED FOR THIS CONDITION
- DETAIL D CAN NOT BE USED FOR THIS CONDITION

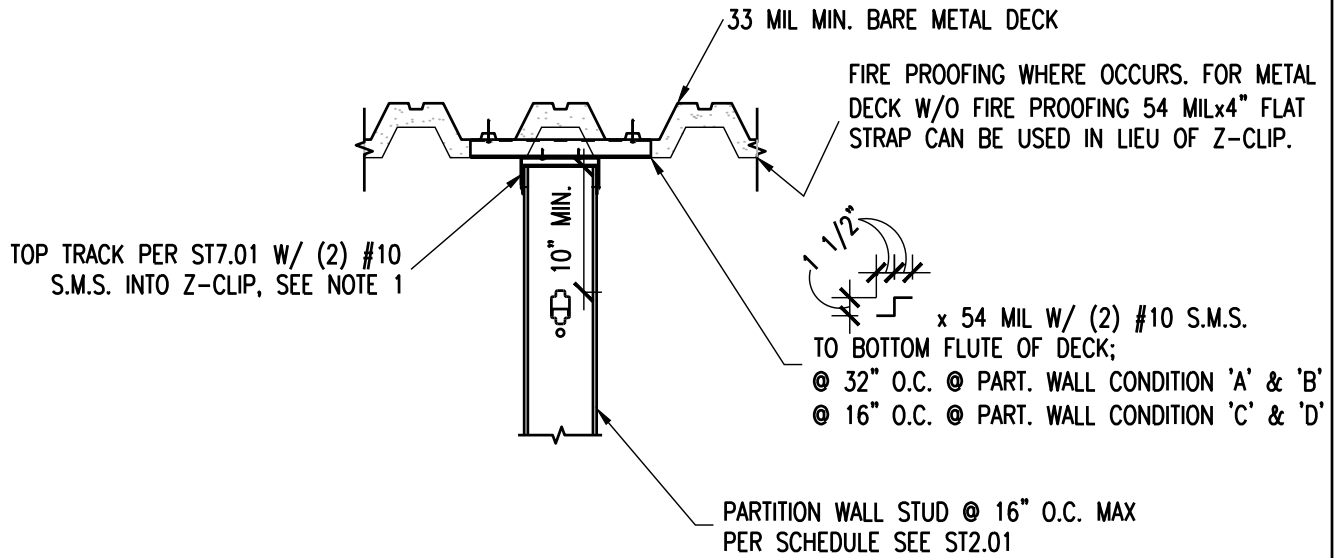
NOTES:

1. SEE TOP CONNECTION DEMAND SCHEDULE ON ST6.11.
2. SEE ST1.01 & ST1.02 FOR PAF REQUIREMENTS.
3. SEE ST2.00 FOR TYPICAL PARTITION WALL CONDITIONS.
4. SEE ST2.01 FOR PARTITION WALL PARTITION STUD SCHEDULE.
5. DETAIL APPLIES TO ALL PARTITION WALL CONDITIONS & ALL S_{DS} CATEGORIES.

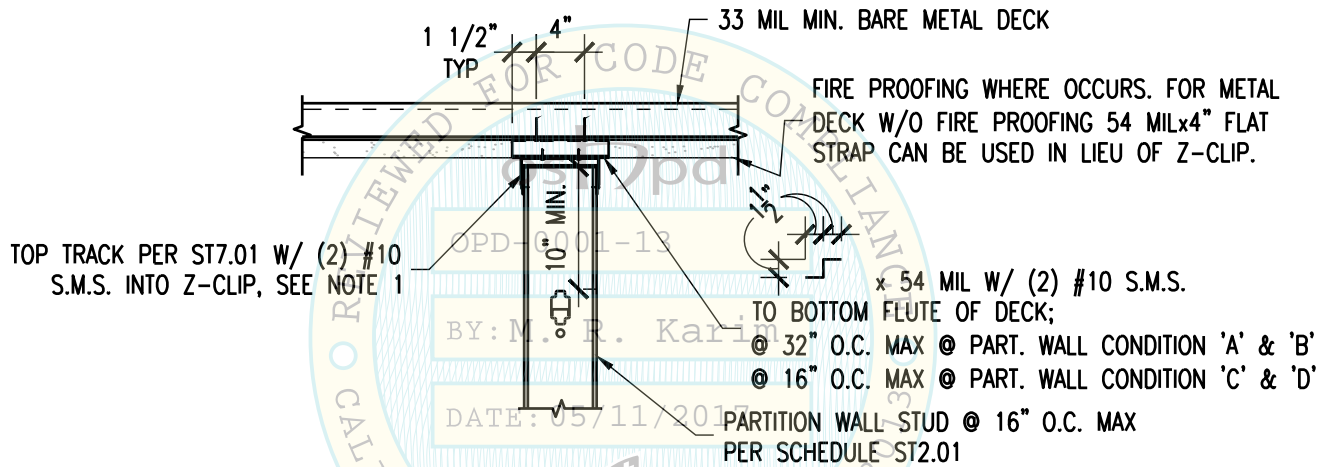
SECTION TITLE:
STANDARD PARTITION WALL DETAILS

SHEET TITLE:
TOP TRACK CONNECTION TO CONCRETE PAN JOIST AND WAFFLE SLAB SYSTEM - ALL PARTITION WALL CONDITIONS

		OPD NO.:
		ST7.06



A ANCHORAGE TO METAL ROOF DECK
(FLUTES PARALLEL TO PARTITION WALL)



B ANCHORAGE TO METAL ROOF DECK
(FLUTES PERPENDICULAR TO PARTITION WALL)

NOTES:

1. SEE TOP CONNECTION DEMAND SCHEDULE ON ST6.11.
2. RDP IN RESPONSIBLE CHARGE TO EVALUATE STEEL DECK FOR CAPACITY.
3. SEE ST2.00 FOR TYPICAL PARTITION WALL CONDITIONS.
4. CONNECTION SPACING SHOWN ABOVE REPRESENTS MAXIMUM SPACING. DECREASE SPACING AS REQ'D TO COORDINATE W/ METAL DECK FLUTE SPACING.
5. DETAIL APPLIES TO ALL PARTITION WALL CONDITIONS & ALL S₀₅ CATEGORIES.

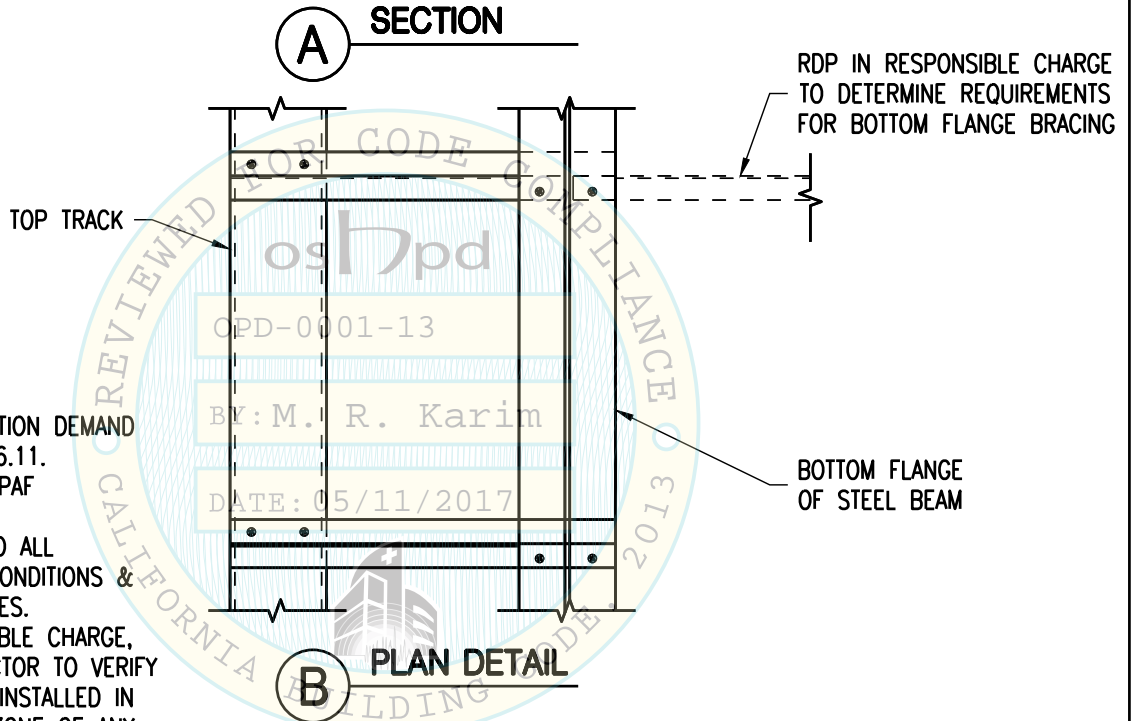
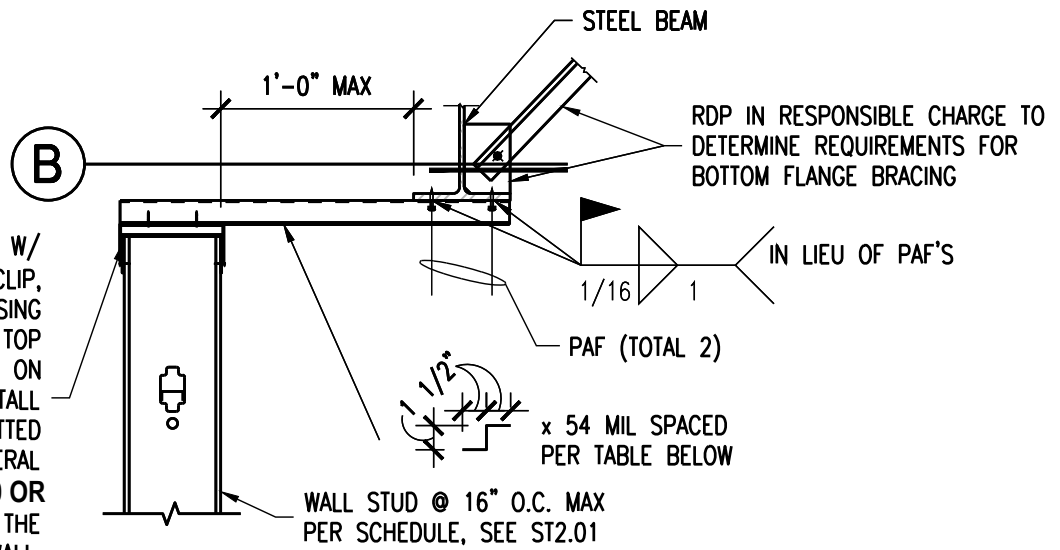
SECTION TITLE:
STANDARD PARTITION WALL DETAILS

SHEET TITLE:
TOP TRACK CONNECTION TO METAL ROOF DECK WITHOUT CONCRETE FILL - ALL PARTITION WALL CONDITIONS

OPD NO.:

ST7.07

TOP TRACK PER ST7.01 W/
 (2) #10 S.M.S. INTO Z-CLIP,
 SEE NOTE 1 & 5 IF USING
 VERTICALLY SLOTTED TOP
 TRACK PER DETAIL B ON
 ST7.01, DO NOT INSTALL
 SCREWS THROUGH SLOTTED
 TRACK AND PROVIDE LATERAL
 BRACING PER ST4.00 OR
 ST4.01 WITHIN 18" OF THE
 TOP OF THE WALL.



NOTES:

1. SEE TOP CONNECTION DEMAND SCHEDULE ON ST6.11.
2. SEE ST1.05 FOR PAF REQUIREMENTS.
3. DETAIL APPLIES TO ALL PARTITION WALL CONDITIONS & ALL S_{ps} CATEGORIES.
4. RDP IN RESPONSIBLE CHARGE, IOR AND CONTRACTOR TO VERIFY THAT NO PDF IS INSTALLED IN THE PROTECTED ZONE OF ANY STEEL MEMBER, SEE ANSI/AISC 341-10.
5. IN-PLANE SLIP REQUIRED.

PARTITION WALL CONDITION 'A' & 'B'

S_{ps} / WALL HEIGHT	Z-CLIP SPACING (INCHES O.C.)		
	9 FT	12 FT	16 FT
0.25-1.95	48	48	48

PARTITION WALL CONDITION 'C' & 'D'

S_{ps} / WALL HEIGHT	Z-CLIP SPACING (INCHES O.C.)		
	9 FT	12 FT	16 FT
0.25-1.25	48	48	48
1.26-1.95	32	32	32

SECTION TITLE:

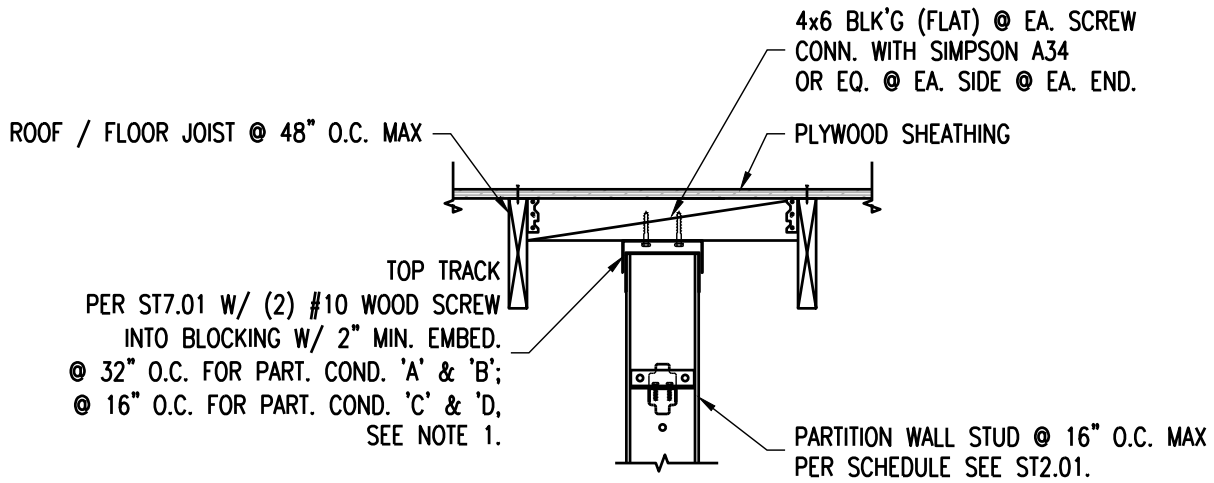
STANDARD PARTITION WALL DETAILS

SHEET TITLE:

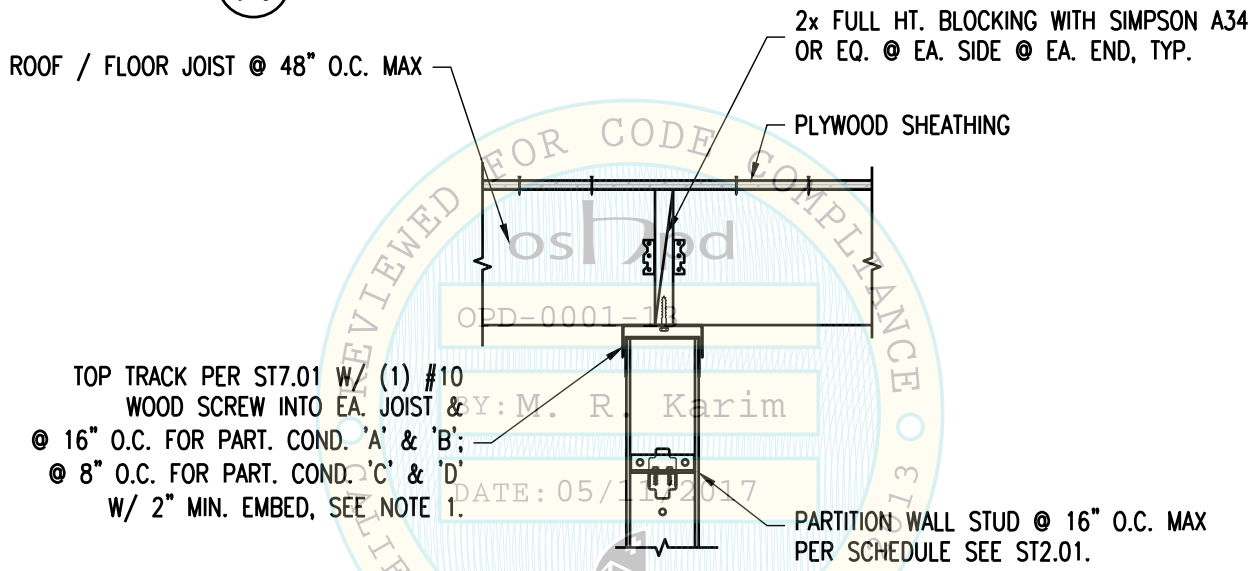
TOP TRACK CONNECTION TO STEEL BEAM
 - ALL PARTITION WALL CONDITIONS

OPD NO.:

ST7.08



A PARTITION WALL PARALLEL TO JOIST ABOVE



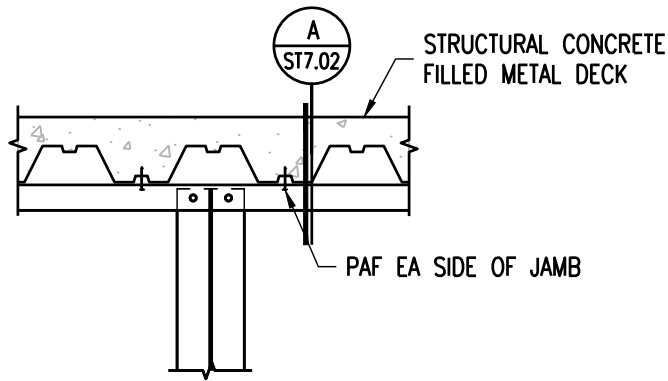
B PARTITION WALL PERPENDICULAR TO JOIST ABOVE

NOTES:

1. SEE TOP CONNECTION DEMAND SCHEDULE ON ST6.11.
2. DETAIL APPLIES TO ALL PARTITION WALL CONDITIONS & ALL S_{DS} CATEGORIES.

SECTION TITLE: STANDARD PARTITION WALL DETAILS			
SHEET TITLE: TOP TRACK CONNECTION INTO WOOD FRAMING - ALL PARTITION WALL CONDITIONS			OPD NO.: ST7.09

NOTE:
 PROVIDE Z-CLIP PER
 ST7.03 AS REQ'D
 @ FIREPROOFING

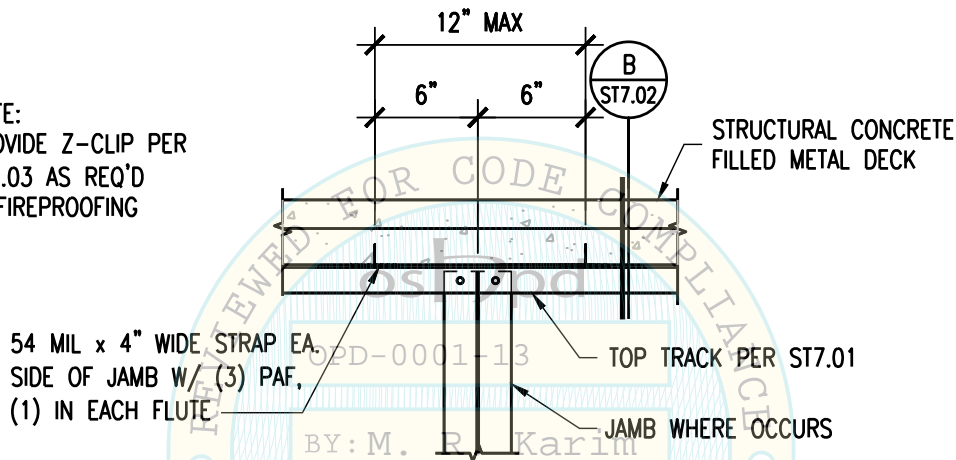


A

**ANCHORAGE TO CONC. FILLED METAL DECK
 AT JAMB LOCATION**

(FLUTES PERPENDICULAR TO WALL)

NOTE:
 PROVIDE Z-CLIP PER
 ST7.03 AS REQ'D
 @ FIREPROOFING



B

**ANCHORAGE TO CONC. FILLED METAL DECK
 AT JAMB LOCATION**

(FLUTES PARALLEL TO WALL)

STRUCTURAL CONDITION ABOVE TOP TRACK	PROVIDE ADD'L TOP TRACK CONN AT JAMB USING DETAIL LISTED BELOW
CONCRETE PAN JOIST OR WAFFLE SLAB SYSTEM	ST7.05 OR ST7.06
METAL ROOF DECK WITHOUT STRUCTURAL CONCRETE FILL	ST7.07
STEEL BEAM	ST7.08
WOOD FRAMING	ST7.09

NOTE:
 1. SEE ST1.01, ST1.02 & ST1.05 FOR PAF REQUIREMENTS.

SECTION TITLE:
STANDARD PARTITION WALL DETAILS

SHEET TITLE:
**TOP TRACK CONNECTION AT JAMB
 LOCATIONS - PARTITION WALL CONDITION
 'A'**

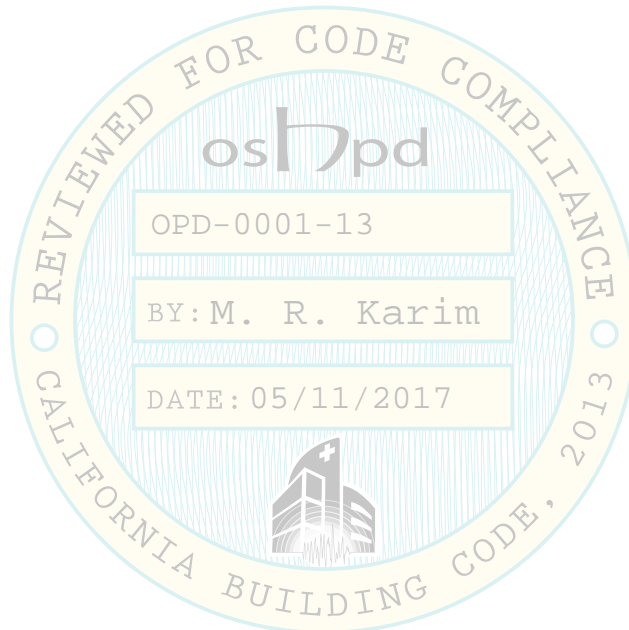
OPD NO.:
ST7.10

BOTTOM CONNECTION SCHEDULE

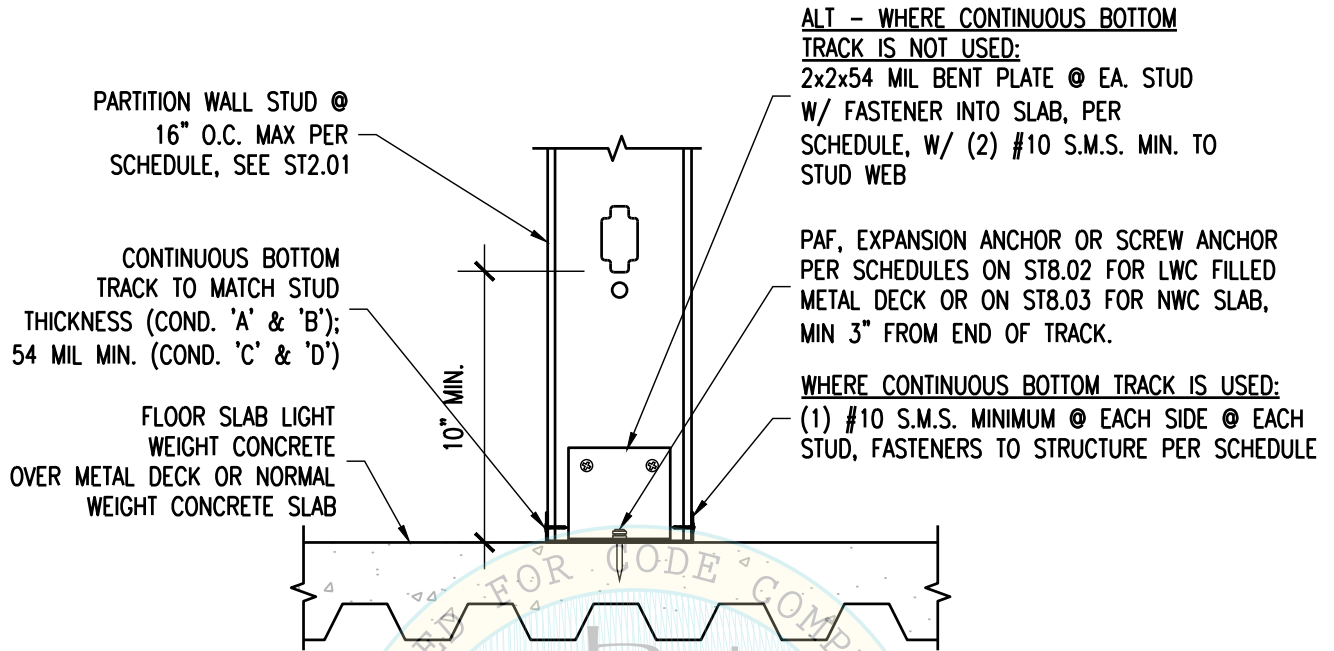
STRUCTURAL CONDITION BELOW BOTTOM TRACK	BOTTOM TRACK CONNECTION
	PARTITION WALL CONDITIONS 'A', 'B', 'C', & 'D'
LWC FILLED METAL DECK OR NWC SLAB	ST8.01
WOOD FRAMING	ST8.04

NOTES:

1. FOR PARTITION WALL CONDITION DESCRIPTION SEE ST2.00
2. FOR BOTTOM CONNECTION DEMAND SCHEDULE SEE ST6.11.



SECTION TITLE: STANDARD PARTITION WALL DETAILS		
SHEET TITLE: BOTTOM CONNECTION SCHEDULE		OPD NO.: ST8.00



A PARTITION WALL BOTTOM TRACK ANCHORAGE
 LIGHT WEIGHT CONCRETE OVER METAL DECK OR NORMAL WEIGHT CONCRETE SLAB

BY: M. R. Karim
 DATE: 05/11/2017

NOTES:

1. SEE ST1.01 & ST1.02 FOR PAF REQUIREMENT AND ST1.03 & ST1.04 FOR EXPANSION ANCHOR REQUIREMENTS AND ST1.09 & ST1.10 FOR SCREW ANCHOR REQUIREMENTS.
2. SEE ST8.05 FOR ANCHORAGE @ JAMBS.
3. FOR LIGHT WEIGHT CONCRETE OVER METAL DECK, SEE ST8.02 FOR FASTENER TO SLAB SCHEDULE.
4. FOR NORMAL WEIGHT CONCRETE SLAB, SEE ST8.03 FOR FASTENER TO SLAB SCHEDULE.
5. SEE ST2.01 FOR PARTITION WALL STUD SCHEDULE.

SECTION TITLE:
STANDARD PARTITION WALL DETAILS

SHEET TITLE:
**BOTTOM TRACK CONNECTION TO
 LWC ON METAL DECK OR NWC SLAB
 - ALL PARTITION WALL CONDITIONS**

		OPD NO.:
		ST8.01

PLOT DATE: May 09, 2017

BOTTOM TRACK CONNECTION TO LWC ON METAL DECK FASTENER MAX SPACING SCHEDULE

BOTTOM CONNECTION DEMANDS (PARTITION WALL CONDITION 'A')

MAX PARTITION WALL HEIGHT	S _{ps}	MAXIMUM FASTENER SPACING IN INCHES AT BOTTOM CONNECTION				
		PAF	3/8" EXP ANCHOR W/ 2" EMBED	1/2" EXP ANCHOR W/ 2 1/4" EMBED	3/8" SCREW ANCHOR W/ 2 1/2" EMBED	1/2" SCREW ANCHOR W/ 2 1/2" EMBED
9 FT	0.25-0.99	32	32	32	32	32
	1.00-1.25	24	32	32	32	32
	1.26-1.45	16	32	32	32	32
	1.46-1.95	16	32	32	32	32
12 FT	0.25-0.99	24	32	32	32	32
	1.00-1.25	16	32	32	32	32
	1.26-1.45	16	32	32	32	32
	1.46-1.95	8	32	32	32	32
16 FT	0.25-0.99	16	32	32	32	32
	1.00-1.25	8	32	32	32	32
	1.26-1.45	8	32	32	32	32
	1.46-1.95	8	32	32	32	32

BOTTOM CONNECTION DEMANDS (PARTITION WALL CONDITION 'B')

MAX PARTITION WALL HEIGHT	S _{ps}	MAXIMUM FASTENER SPACING IN INCHES AT BOTTOM CONNECTION				
		PAF	3/8" EXP ANCHOR W/ 2" EMBED	1/2" EXP ANCHOR W/ 2 1/4" EMBED	3/8" SCREW ANCHOR W/ 2 1/2" EMBED	1/2" SCREW ANCHOR W/ 2 1/2" EMBED
9 FT	0.25-0.99	16	32	32	32	32
	1.00-1.25	16	32	32	32	32
	1.26-1.45	8	32	32	32	32
	1.46-1.95	8	32	32	32	32
12 FT	0.25-0.99	16	32	32	32	32
	1.00-1.25	8	32	32	32	32
	1.26-1.45	8	32	32	32	32
	1.46-1.95	8	32	32	32	32
16 FT	0.25-0.99	8	32	32	32	32
	1.00-1.25	8	32	32	32	32
	1.26-1.45	8	32	32	32	32
	1.46-1.95	-	32	32	32	32

BOTTOM CONNECTION DEMANDS (PARTITION WALL CONDITIONS 'C' & 'D')

MAX PARTITION WALL HEIGHT	S _{ps}	MAXIMUM FASTENER SPACING IN INCHES AT BOTTOM CONNECTION				
		PAF	3/8" EXP ANCHOR W/ 2" EMBED	1/2" EXP ANCHOR W/ 2 1/4" EMBED	3/8" SCREW ANCHOR W/ 2 1/2" EMBED	1/2" SCREW ANCHOR W/ 2 1/2" EMBED
9 FT	0.25-0.99	-	32	32	32	32
	1.00-1.25	-	32	32	24	32
	1.26-1.45	-	32	32	24	24
	1.46-1.95	-	24	32	16	16
12 FT	0.25-0.99	-	32	32	32	32
	1.00-1.25	-	32	32	24	24
	1.26-1.45	-	24	32	16	24
	1.46-1.95	-	16	24	16	16
16 FT	0.25-0.99	-	32	32	24	24
	1.00-1.25	-	32	32	16	24
	1.26-1.45	-	24	32	16	16
	1.46-1.95	-	16	24	8	16

NOTES:

1. SEE ST1.01 & ST1.02 FOR PAF REQUIREMENTS.
2. SEE ST1.03 & ST1.04 FOR EXPANSION ANCHOR REQUIREMENTS.
3. SEE ST1.09 & ST1.10 FOR SCREW ANCHOR REQUIREMENTS.

SECTION TITLE:
STANDARD PARTITION WALL DETAILS

SHEET TITLE:
BOTTOM TRACK CONNECTION TO LWC ON METAL DECK FASTENER MAX SPACING SCHEDULE

OPD NO.:
ST8.02

PLOT DATE: May 09, 2017

BOTTOM TRACK CONNECTION TO NWC SLAB FASTENER MAX SPACING SCHEDULE

BOTTOM CONNECTION DEMANDS (PARTITION WALL CONDITION 'A')

MAX PARTITION WALL HEIGHT	S _{ps}	MAXIMUM FASTENER SPACING IN INCHES AT BOTTOM CONNECTION				
		PAF	3/8" EXP ANCHOR W/ 2" EMBED	1/2" EXP ANCHOR W/ 2 1/4" EMBED	3/8" SCREW ANCHOR W/ 2 1/2" EMBED	1/2" SCREW ANCHOR W/ 2 1/2" EMBED
9 FT	0.25-0.99	32	32	32	32	32
	1.00-1.25	24	32	32	32	32
	1.26-1.45	16	32	32	32	32
	1.46-1.95	16	32	32	32	32
12 FT	0.25-0.99	24	32	32	32	32
	1.00-1.25	16	32	32	32	32
	1.26-1.45	16	32	32	32	32
	1.46-1.95	8	32	32	32	32
16 FT	0.25-0.99	16	32	32	32	32
	1.00-1.25	8	32	32	32	32
	1.26-1.45	8	32	32	32	32
	1.46-1.95	8	32	32	32	32

BOTTOM CONNECTION DEMANDS (PARTITION WALL CONDITION 'B')

MAX PARTITION WALL HEIGHT	S _{ps}	MAXIMUM FASTENER SPACING IN INCHES AT BOTTOM CONNECTION				
		PAF	3/8" EXP ANCHOR W/ 2" EMBED	1/2" EXP ANCHOR W/ 2 1/4" EMBED	3/8" SCREW ANCHOR W/ 2 1/2" EMBED	1/2" SCREW ANCHOR W/ 2 1/2" EMBED
9 FT	0.25-0.99	16	32	32	32	32
	1.00-1.25	16	32	32	32	32
	1.26-1.45	8	32	32	32	32
	1.46-1.95	8	32	32	32	32
12 FT	0.25-0.99	16	32	32	32	32
	1.00-1.25	8	32	32	32	32
	1.26-1.45	8	32	32	32	32
	1.46-1.95	8	32	32	32	32
16 FT	0.25-0.99	8	32	32	32	32
	1.00-1.25	8	32	32	32	32
	1.26-1.45	8	32	32	32	32
	1.46-1.95	-	32	32	32	32

BOTTOM CONNECTION DEMANDS (PARTITION WALL CONDITIONS 'c' & 'd')

MAX PARTITION WALL HEIGHT	S _{ps}	MAXIMUM FASTENER SPACING IN INCHES AT BOTTOM CONNECTION				
		PAF	3/8" EXP ANCHOR W/ 2" EMBED	1/2" EXP ANCHOR W/ 2 1/4" EMBED	3/8" SCREW ANCHOR W/ 2 1/2" EMBED	1/2" SCREW ANCHOR W/ 2 1/2" EMBED
9 FT	0.25-0.99	-	32	32	32	32
	1.00-1.25	-	32	32	32	32
	1.26-1.45	-	32	32	32	32
	1.46-1.95	-	32	32	32	32
12 FT	0.25-0.99	-	32	32	32	32
	1.00-1.25	-	32	32	32	32
	1.26-1.45	-	32	32	32	32
	1.46-1.95	-	24	32	24	24
16 FT	0.25-0.99	-	32	32	32	32
	1.00-1.25	-	32	32	32	32
	1.26-1.45	-	32	32	32	32
	1.46-1.95	-	24	32	24	24

NOTES:

1. SEE ST1.01 & ST1.02 FOR PAF REQUIREMENTS.
2. SEE ST1.03 & ST1.04 FOR EXPANSION ANCHOR REQUIREMENTS.
3. SEE ST1.09 & ST1.10 FOR SCREW ANCHOR REQUIREMENTS.

SECTION TITLE:

STANDARD PARTITION WALL DETAILS

SHEET TITLE:

BOTTOM TRACK CONNECTION TO NWC SLAB FASTENER MAX SPACING SCHEDULE

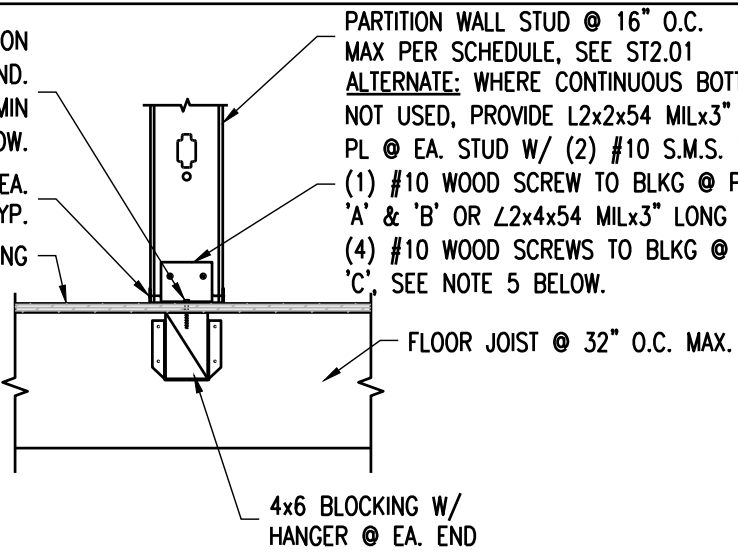
OPD NO.:

ST8.03

PLOT DATE: May 09, 2017

- (1) #10 WOOD SCREW x 2" MIN PENETRATION INTO BLOCKING @ 16" O.C. @ PART. COND. 'A' & 'B'; 4" O.C. @ PART. COND. 'C' & 'D', MIN (2) SCREWS PER EA. BLKG. SEE NOTE 5 BELOW.

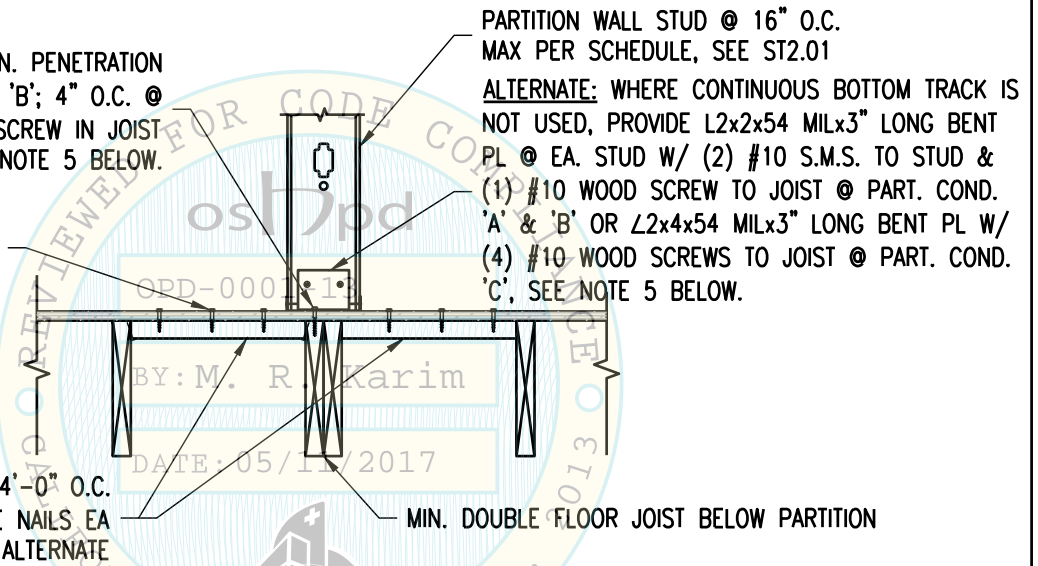
- (1) #10 S.M.S. @ EA. SIDE @ EA. STUD, TYP. PLYWOOD SHEATHING



A PARTITION WALL PERPENDICULAR TO FLOOR JOIST

- (1) #10 WOOD SCREW x 2" MIN. PENETRATION @ 16" O.C. @ PART. COND. 'A' & 'B'; 4" O.C. @ PART. COND. 'C' & 'D'. CENTER SCREW IN JOIST & STAGGER SCREWS. SEE NOTE 5 BELOW.

- #10 WOOD SCREWS @ 12" O.C. WITH 1" MIN. PENETRATION INTO BLOCKING,
- (3) WOOD SCREWS MIN, TYP



B PARTITION WALL PARALLEL TO FLOOR JOIST

NOTES:

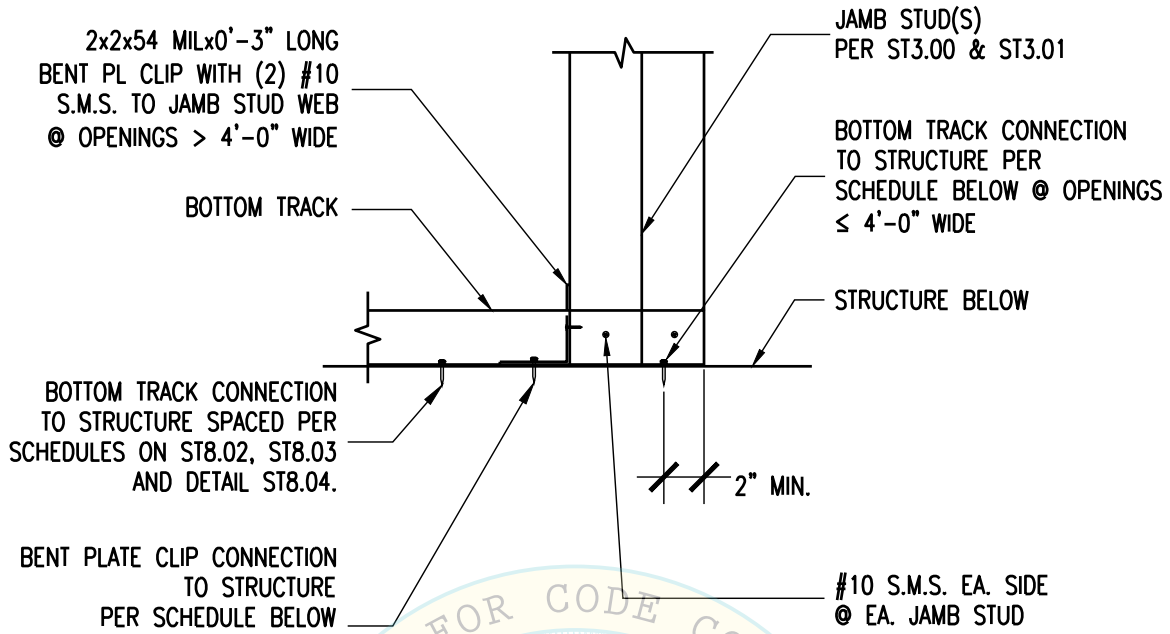
1. SEE ST8.01 FOR BALANCE OF INFORMATION.
2. SEE ST8.05 FOR BOTTOM CONNECTION @ JAMBS.
3. RDP IN RESPONSIBLE CHARGE SHALL VERIFY ADEQUACY OF FRAMING.
4. SEE ST2.01 FOR PARTITION WALL STUD SCHEDULE.
5. VERIFY SCREWS ARE INSTALLED 1/2" MIN FROM THE END OF BLKG.

SECTION TITLE:
STANDARD PARTITION WALL DETAILS

SHEET TITLE:
BOTTOM TRACK CONNECTION TO WOOD FRAMING - ALL PARTITION WALL CONDITIONS

OPD NO.:
ST8.04

PLOT DATE: May 09, 2017



OPENING SIZE	JAMB STUD BOTTOM TRACK CONNECTION TYPE	CONNECTION TO STRUCTURE (THROUGH BENT PL CLIP OR THROUGH BOTTOM TRACK)
≤ 4'-0"	BOTTOM TRACK CONNECTION TO STRUCTURE (NO CLIP REQUIRED)	(3) PAF
		(1) 3/8"ø x 2" EMBED EXPANSION ANCHOR
		(1) 3/8"ø x 2 1/2" EMBED SCREW ANCHOR
		(2) #10 WOOD SCREWS
>4'-0" TO ≤ 10'-0"	BENT PL CLIP CONNECTION TO STRUCTURE	(1) 3/8"ø x 2" EMBED EXPANSION ANCHOR
		(1) 3/8"ø x 2 1/2" EMBED SCREW ANCHOR
		(3) #10 WOOD SCREWS

- NOTE:**
 1. BOTTOM CONNECTION @ JAMBS AT PARTITION WALL CONDITION 'A', ALL S₀₅ CATEGORIES.

SECTION TITLE:
 STANDARD PARTITION WALL DETAILS

SHEET TITLE:
 BOTTOM TRACK CONNECTION @ JAMBS
 - PARTITION WALL CONDITION 'A'

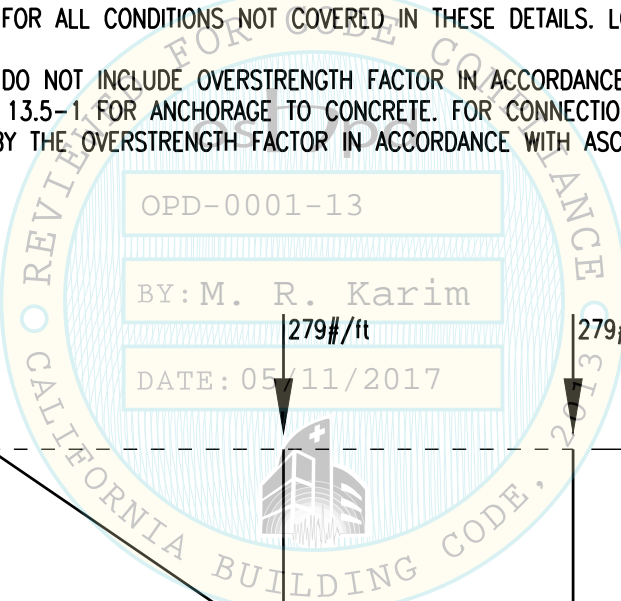
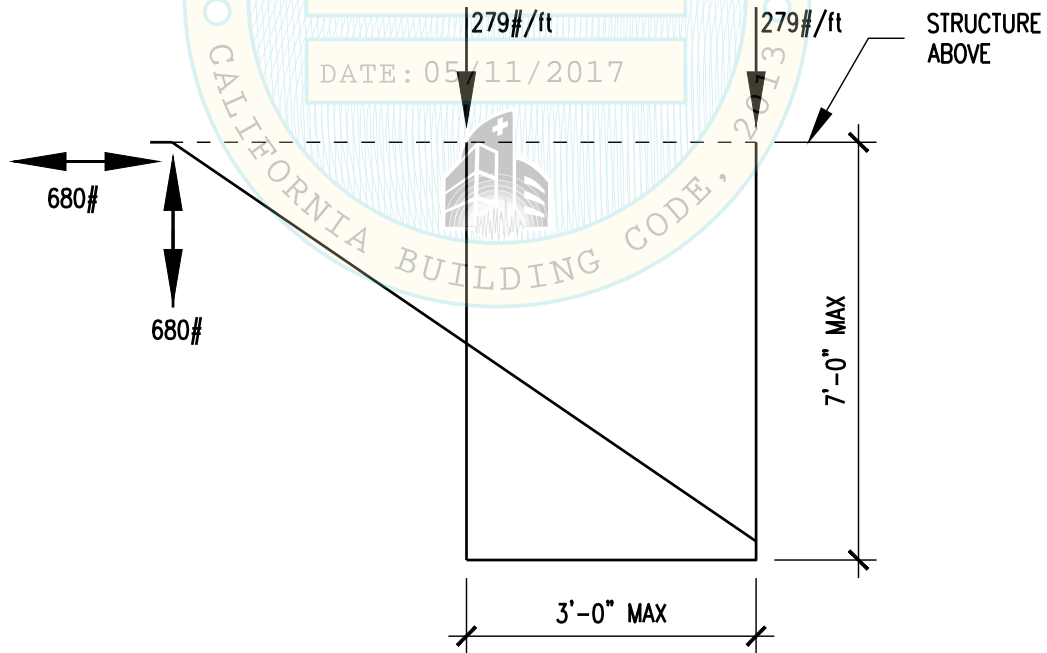
OPD NO.:
 ST8.05

SUSPENDED SOFFIT CONNECTION SCHEDULE

STRUCTURE ABOVE SUSPENDED SOFFIT	DETAIL
CONCRETE SLAB, BEAM OR LWC FILLED METAL DECK	ST9.02
CONNECTION TO STEEL BEAM	ST9.03
CONCRETE PAN JOIST OR WAFFLE SYSTEM SLAB SYSTEM	NOT AVAILABLE
METAL ROOF DECK WITHOUT CONCRETE FILL SYSTEM	NOT AVAILABLE
WOOD FRAMING	NOT AVAILABLE

NOTES:

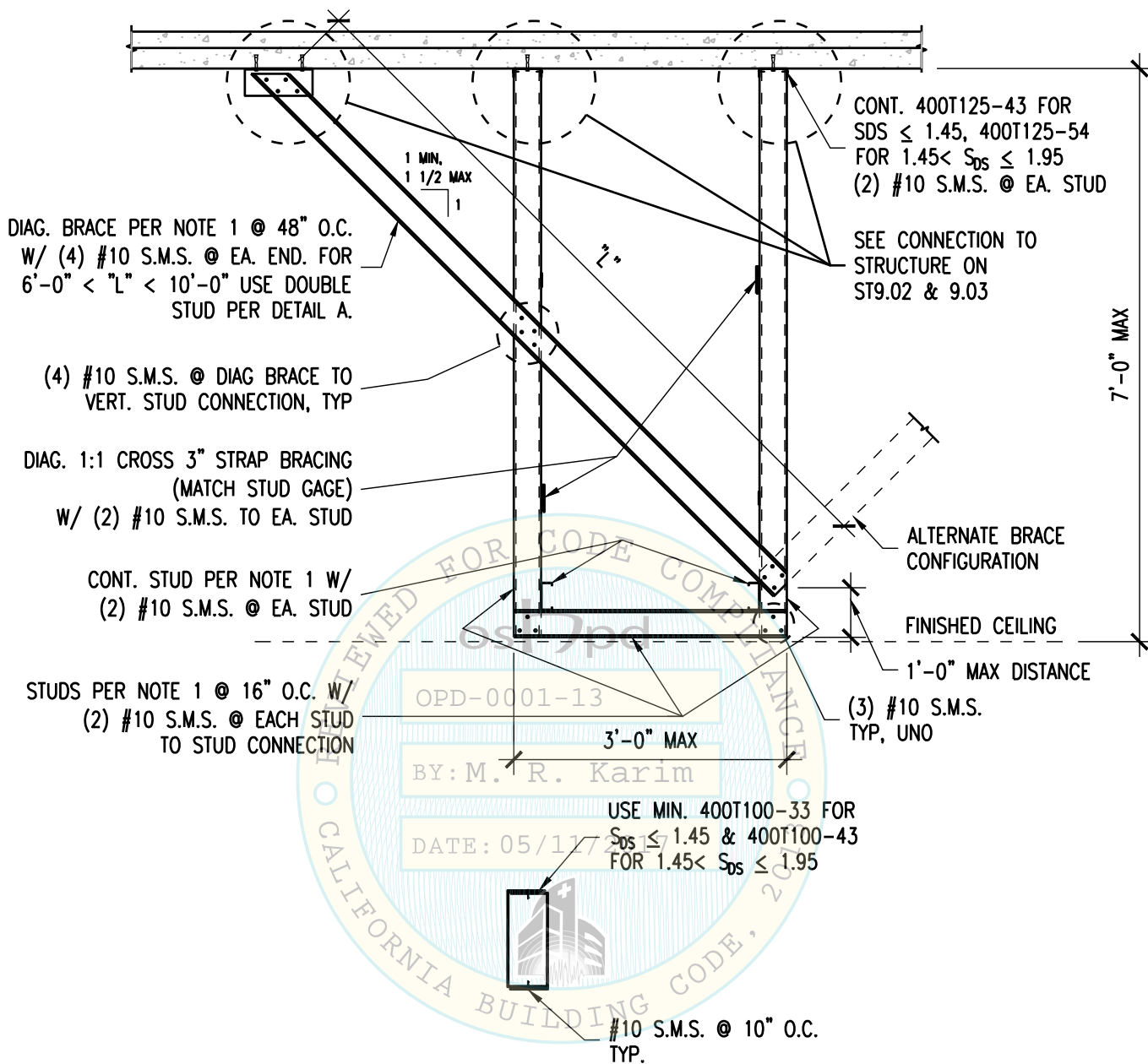
- SEE ST9.01 FOR SUSPENDED SOFFIT DETAIL.
- SEE SOFFIT LOADING DIAGRAM BELOW. RDP IN RESPONSIBLE CHARGE TO DESIGN CONNECTION AND CHECK SUPPORTING FRAMING FOR ALL CONDITIONS NOT COVERED IN THESE DETAILS. LOADS SHOWN AT ALLOWABLE STRESS LEVEL.
- THE DEMANDS LISTED DO NOT INCLUDE OVERSTRENGTH FACTOR IN ACCORDANCE WITH ASCE 7-10 SUPPLEMENT 1 TABLE 13.5-1 FOR ANCHORAGE TO CONCRETE. FOR CONNECTION TO CONCRETE DEMAND SHALL BE AMPLIFIED BY THE OVERSTRENGTH FACTOR IN ACCORDANCE WITH ASCE 7-10 TABLE 13.5-1



SECTION TITLE:
STANDARD PARTITION WALL DETAILS

SHEET TITLE:
SUSPENDED SOFFIT CONNECTION
SCHEDULE

OPD NO.:
ST9.00



A DOUBLE STUD BRACE

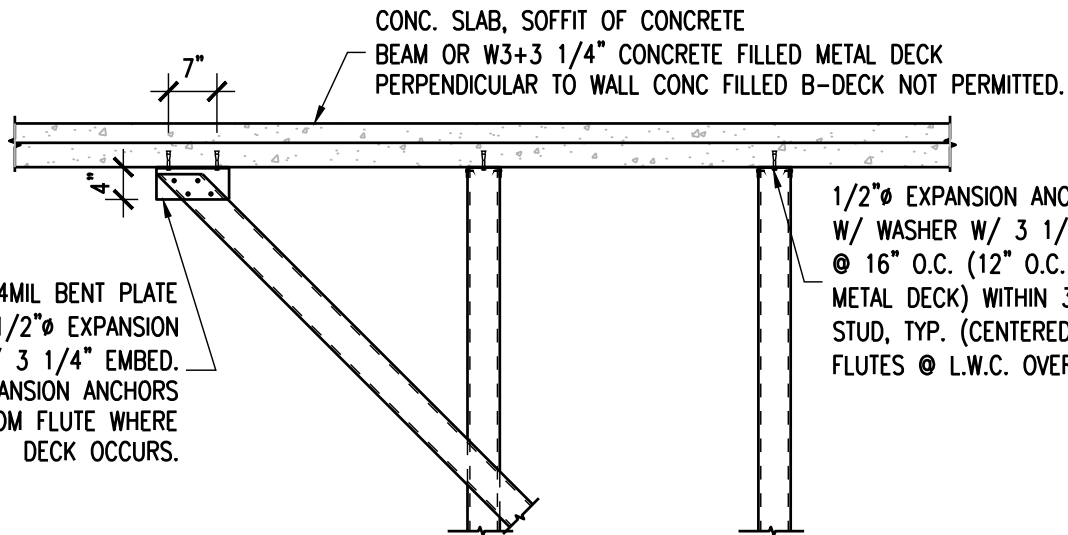
NOTES:

1. USE MIN 4" x 33 MIL STUDS (400S137-33) FOR S_{DS} ≤ 1.45 & 4" x 43 MIL (400S137-43) FOR 1.45 < S_{DS} ≤ 1.95
2. SUSPENDED SOFFITS ARE NOT DESIGNED TO SUPPORT ADJACENT HANGING OR FRAMED CEILINGS, EQUIPMENT OR CABINETS.
3. SEE ST1.03 & ST1.04 FOR EXPANSION ANCHOR REQUIREMENTS.

SECTION TITLE:
STANDARD PARTITION WALL DETAILS

SHEET TITLE:
SUSPENDED SOFFIT DETAIL

OPD NO.:
ST9.01

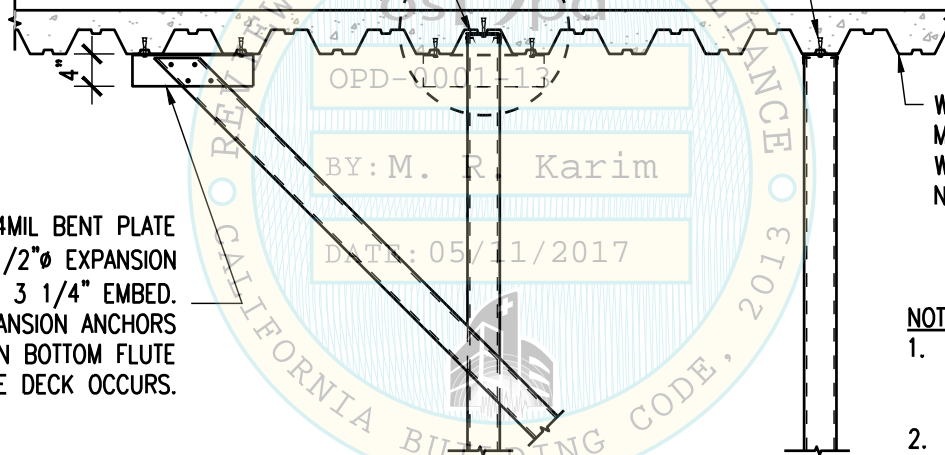


A SOFFIT BELOW CONCRETE FRAMING OR
 PERPENDICULAR TO METAL DECK

400T125-54 W/ 3/8"Ø EXPANSION ANCHORS W/
 WASHER W/ 2" EMBED @ 16" O.C. & WITHIN 3"
 OF VERT. STUD, TYP. SCREW THE TOP TRACK W/
 (1) #10 MIN. S.M.S. @ EA LEG. (CENTERED IN
 BOTTOM OF FLUTES @ L.W.C. OVER METAL DECK).

SEE DETAIL C
 FOR ALTERNATE

1/2"Ø EXPANSION ANCHORS
 W/ WASHER W/ 3 1/4" EMBED
 CENTERED IN BOTTOM OF FLUTE
 @ 16" O.C. W/IN 3" OF VERT.
 STUD, TYP. (CENTERED IN BOTTOM
 OF FLUTES @ L.W.C. OVER METAL DECK).



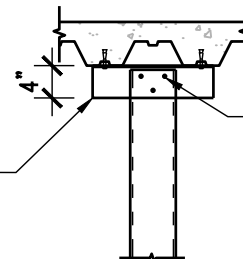
4"x3"x54MIL BENT PLATE
 W/ (2) 1/2"Ø EXPANSION
 ANCHORS W/ 3 1/4" EMBED.
 CENTER EXPANSION ANCHORS
 IN BOTTOM FLUTE
 WHERE DECK OCCURS.

NOTES:

1. FOR REMAINDER OF WALL REQUIREMENTS SEE ST9.01.
2. SEE ST1.03 & ST1.04 FOR EXPANSION ANCHOR REQUIREMENTS.

B SOFFIT PARALLEL TO METAL DECK

4"x3"x54MIL BENT PLATE
 W/ (2) 3/8"Ø EXPANSION
 ANCHORS W/ WASHERS
 W/ 2" EMBED.
 CENTER EXPANSION
 ANCHORS IN BOTTOM FLUTE
 WHERE DECK OCCURS.



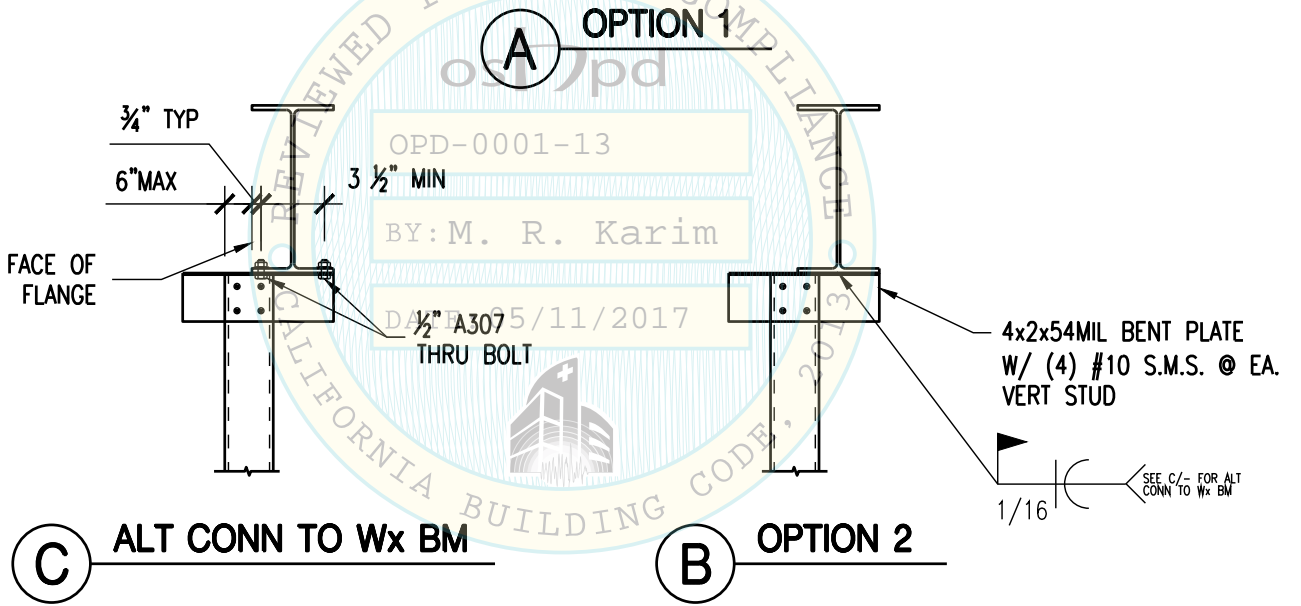
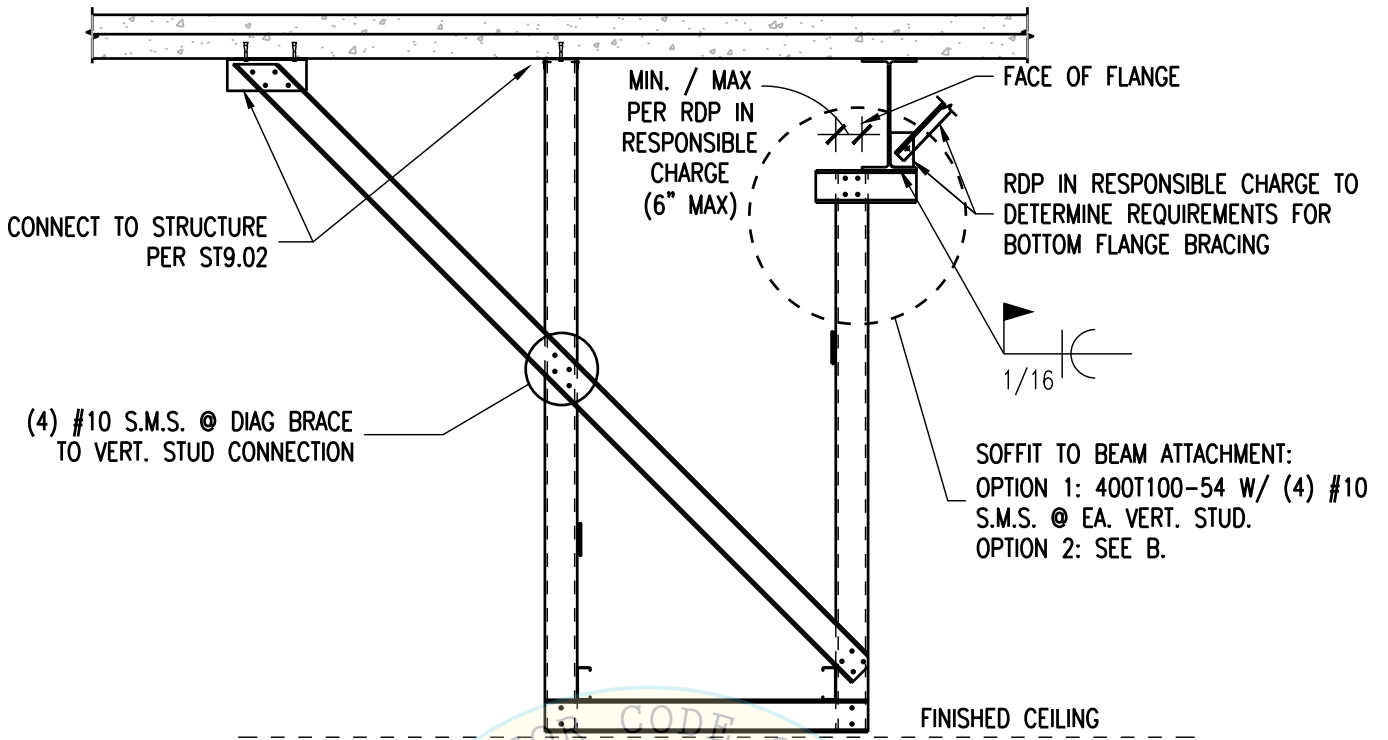
C ALTERNATE CONNECTION DETAIL

SECTION TITLE:
 STANDARD PARTITION WALL DETAILS

SHEET TITLE:
 SUSPENDED SOFFIT CONNECTION TO
 CONC. SLAB, CONC. BEAM OR LWC
 FILLED METAL DECK

OPD NO.:
 ST9.02

PLOT DATE: May 09, 2017



NOTES:

1. FOR REMAINDER OF SOFFIT REQUIREMENTS SEE ST9.01.
2. SEE ST1.03 & ST1.04 FOR EXPANSION ANCHOR REQUIREMENTS.
3. SEE ST1.05 FOR PAF REQUIREMENTS.
4. RDP IN RESPONSIBLE CHARGE, IOR AND CONTRACTOR TO VERIFY THAT NO WELD IS INSTALLED IN THE PROTECTED ZONE OF ANY STEEL MEMBER, SEE ANSI/AISC 341-10.

SECTION TITLE: STANDARD PARTITION WALL DETAILS		
SHEET TITLE: SUSPENDED SOFFIT CONNECTION TO STEEL BEAM		OPD NO.: ST9.03

OSHPD contact for question or comment:

OPD@oshpd.ca.gov

