



**OFFICE OF STATEWIDE HEALTH PLANNING AND DEVELOPMENT
FACILITIES DEVELOPMENT DIVISION**

**APPLICATION FOR OSHPD SPECIAL SEISMIC
CERTIFICATION PREAPPROVAL (OSP)**

OFFICE USE ONLY

APPLICATION #: OSP-0694

OSHPD Special Seismic Certification Preapproval (OSP)

Type: New Renewal

Manufacturer Information

Manufacturer: Enchanted Rock, LLC

Manufacturer's Technical Representative: Ken Ashraph

Mailing Address: 1113 Vine Street, Suite 101, Houston, TX 77002

Telephone: (713) 429-4091

Email: kashraph@enchantedrock.com

Product Information

Product Name: Emergency and Standby Power Systems

Product Type: Generators

Product Model Number: 448 kW Gas Genset Package

General Description: Enclosed Natural Gas Genset on steel base, with design changes implemented on UUT, Added (4) latches to each enclosure door, Total (4) Doors, for details refer to UUT Sheet.

Mounting Description: Rigid, Base Mounted

Tested Seismic Enhancements: Seismic enhancements made to the test units and/or modifications required to address anomalies during the tests shall be incorporated into the production units.

Applicant Information

Applicant Company Name: VMC Group

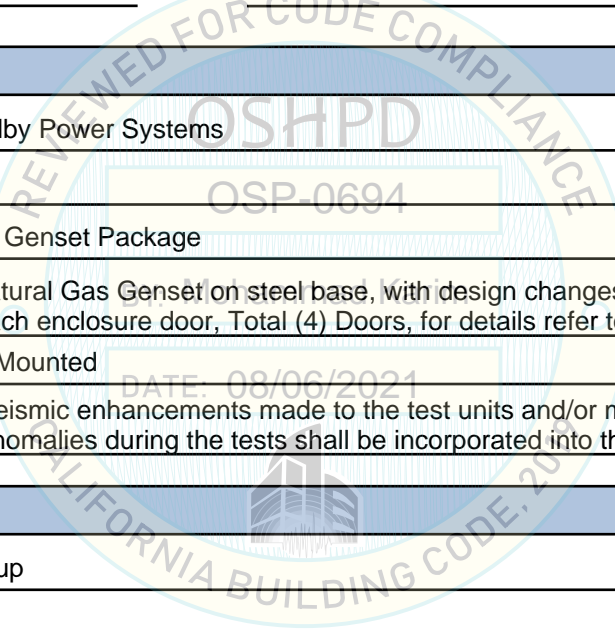
Contact Person: John Giuliano

Mailing Address: Main Street, Bloomingdale, NJ 07403

Telephone: (973) 838-1780

Email: john.giuliano@thvmcgroup.com

Title: President





**OFFICE OF STATEWIDE HEALTH PLANNING AND DEVELOPMENT
FACILITIES DEVELOPMENT DIVISION**

California Licensed Structural Engineer Responsible for the Engineering and Test Report(s)

Company Name: THE VMC GROUP
Name: Kenneth Tarlow California License Number: S2851
Mailing Address: 980 9th Street, 16th Floor, Sacramento, CA 95814
Telephone: (832) 627-2214 Email: ken.tarlow@thevmcgroup.com

Certification Method

GR-63-Core ICC-ES AC156 IEEE 344 IEEE 693 NEBS 3
 Other (Please Specify): _____

Testing Laboratory

Company Name: CLARK TESTING LABORATORY, INC.
Contact Person: Zach Fischer
Mailing Address: 1801 Route 51, Jefferson Hills PA 15025
Telephone: (412) 387-1676 Email: zfischer@clarktesting.com





**OFFICE OF STATEWIDE HEALTH PLANNING AND DEVELOPMENT
FACILITIES DEVELOPMENT DIVISION**

Seismic Parameters

Design Basis of Equipment or Components (F_p/W_p) = 0.43

SDS (Design spectral response acceleration at short period, g) = 1.807

a_p (Amplification factor) = 1.0

R_p (Response modification factor) = 2.5

Ω_0 (System overstrength factor) = 2.0

I_p (Importance factor) = 1.5

z/h (Height ratio factor) = 0

Natural frequencies (Hz) = See Attachment

Overall dimensions and weight = See Attachment

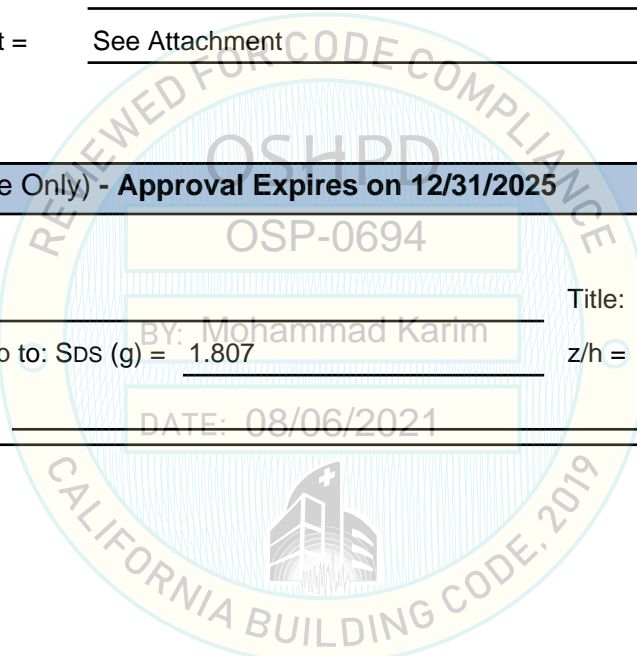
OSHPD Approval (For Office Use Only) - Approval Expires on 12/31/2025

Date: 8/6/2021

Name: Mohammad Karim Title: Supervisor, Health Facilities

Special Seismic Certification Valid Up to: SDS (g) = 1.807 z/h = 0

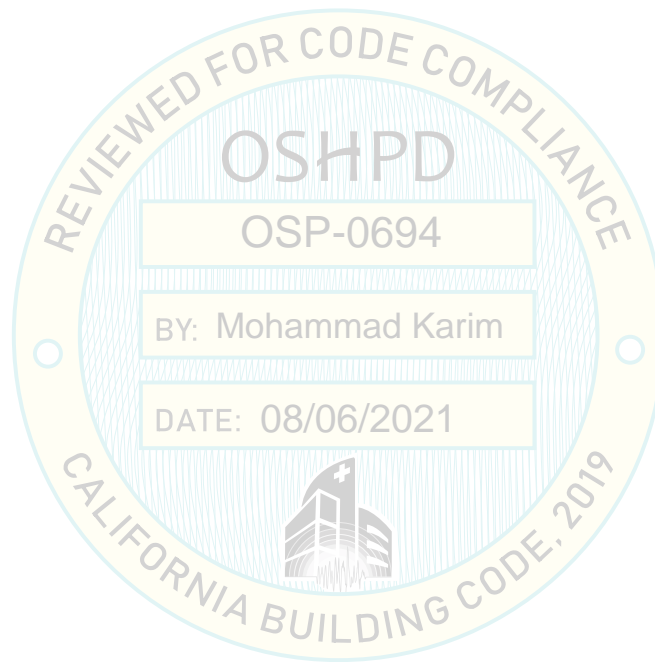
Condition of Approval (if applicable): DATE: 08/06/2021



Certified Product Table (CPT)

Model	Rating [kW]	Max. Dimensions [in]			Weight [lb]	UUT
		Length	Width	Height ¹		
Gas Genset Package A24500	448	119.75	96	143*	19,000	UUT-1

¹Height includes Enclosure + Skid Base



Certified Product Subcomponent Table (CPST)

Component	Description	Part No.	MFR	Weight [lb]	UUT
Enclosure	119"Hx120"Lx96"W	A24030	3PI	17,000	UUT-1
Skid Base	24"Hx120"Lx96"W	A25095	3PI	2,000	
Engine	21.9L, NG	59007017	PSI	3,813 (wet)	
Radiator	Radiator package with CAC and 4 fans and motors	P54140	API	2,149 (dry)	
Controller	ECP	P56159	Deep Sea Electronics	2	
Block Heater	JWH with pump and junction box	A24938	Hotstart	55	
Alternator	3ph, 60Hz, 480VAC	P56076	Marathon	2,500	
Battery	Dual 12V batteries, Qty. 2	P55052	Odessey	50 each	
Battery Charger	120-240V in, 24dc out, 10A	P61034	Deep Sea Electronics	2	
Main Breaker and Control Cabinet	1200A main breaker and cabinet, bus bar, load switch, genset controller, voltage regulator, wiring, misc components	A24601	3PI	250	
Make Up	30 gallon capacity	A24743	3PI	190	
Silencer	Dual silencers, internally insulated	P56251L/R	EI Williams	105 each	
Exhaust Catalysts	Qty. 4	38901309	PSI	25 each	
Air Cleaners	Qty. 2	P52538	Donaldson Company Inc	25 each	
Fuel Train	NG	A24039	PSI/3PI	25	
Fuel Regulator	Pressure regulator	P53444-A	Belgas	26	

Height includes Enclosure + Skid Base

DATE: 08/06/2021





UNIT UNDER TEST (UUT) Summary Sheet

UUT-1

Clark VMC JID 20-2047 Rev4

Model Line	Model Number	Manufacturer
Gas Genset Package	448 kW Gas Genset Package Model #A24500 - Serial #200421-557	3Pi for Enchanted Rock

Product Construction Summary

Gas Genset Package with steel enclosure on steel base.

Options / Subcomponent Summary

Gas Genset Package with steel enclosure on 24"H x 120"L x 96"W steel base, engine, alternator, radiator and misc. components. Door latch mechanism design change information is shown on following pages.

UUT Properties

Weight [lbs]	Dimensions [in]			Lowest Nat. Freq. [Hz]		
	Length	Width	Height	F-B	S-S	V
19,000	119.75	96	143	4.37	3.08	15.08

UUT Highest Passed Seismic Run Information

Building Code	Test Criteria	S _{DS}	z/h	I _p	A _{FLX-H}	A _{RIG-H}	A _{FLX-V}	A _{RIG-V}
CBC 2019	ICC-ES AC156	1.81	0.00	1.5	1.81	0.72	1.21	0.49

Test Mounting Details

UUT mounted to steel base using (8) 3/4"-10 Grade 5 SAE Hex Bolts.
Steel base mouned to shake table using (8) 3/4"-10 Grade 5 SAE Hex Bolts.

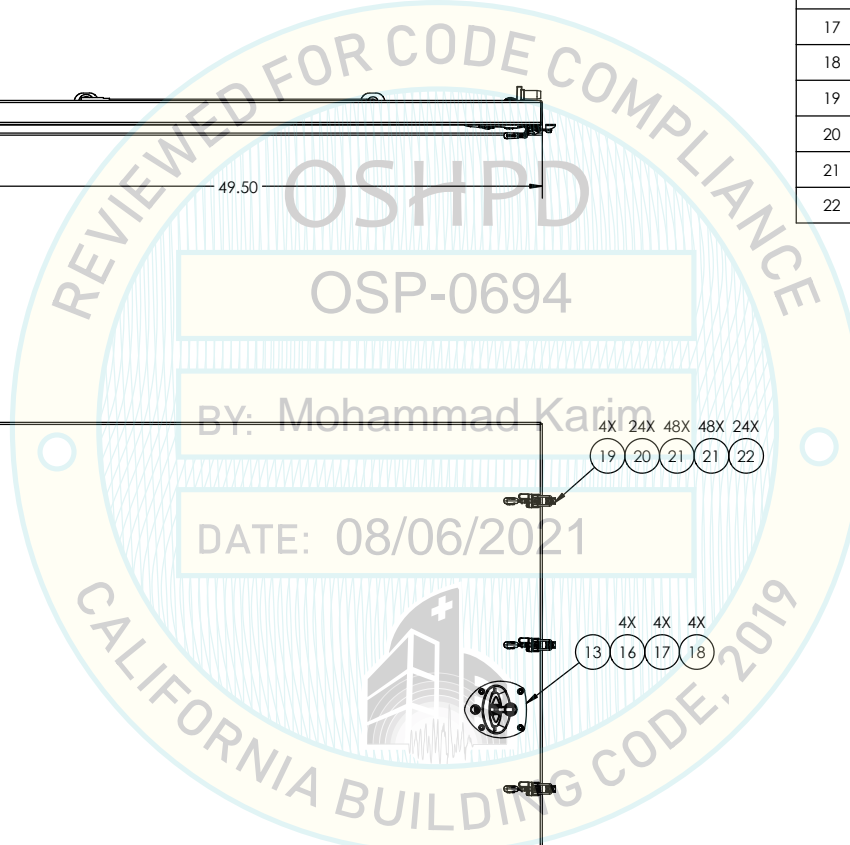
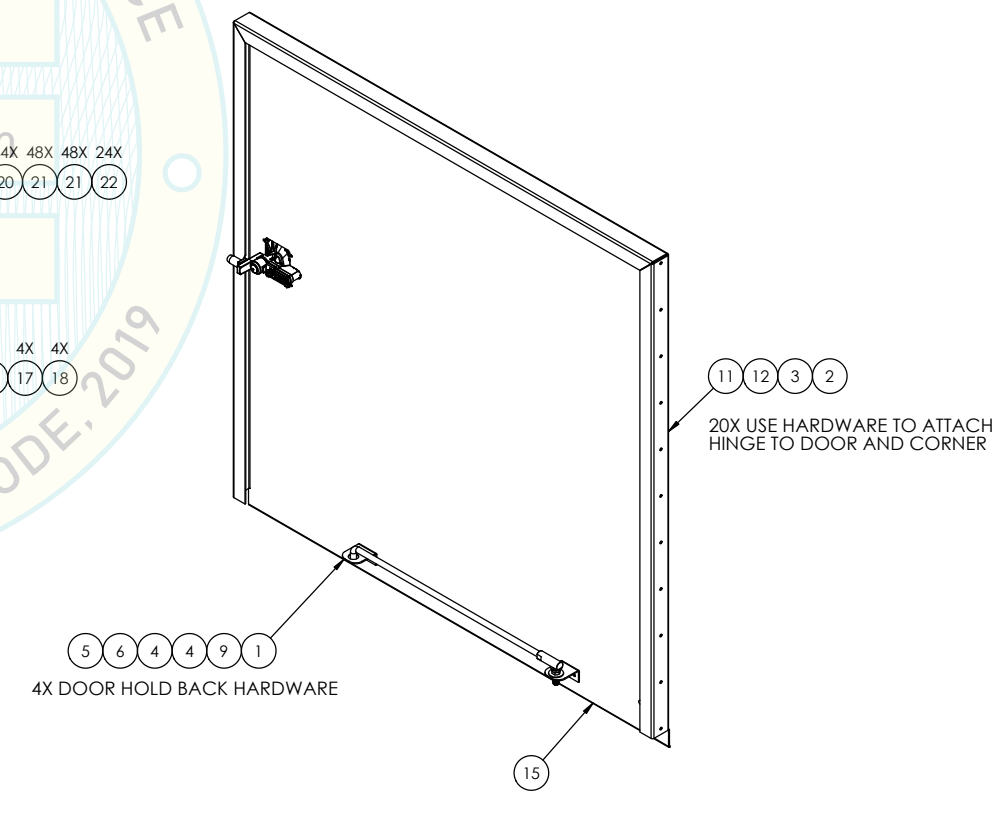
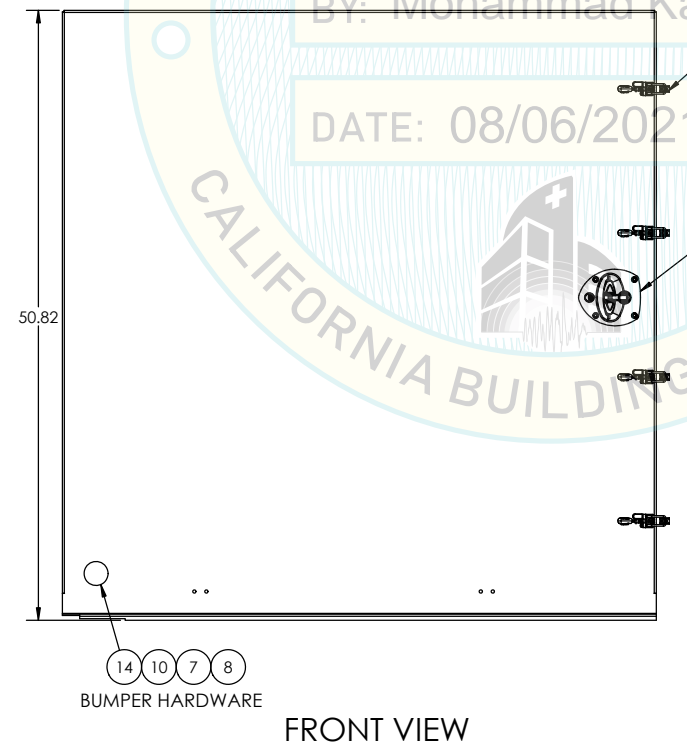
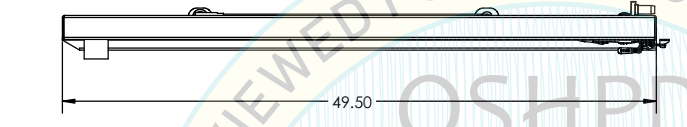
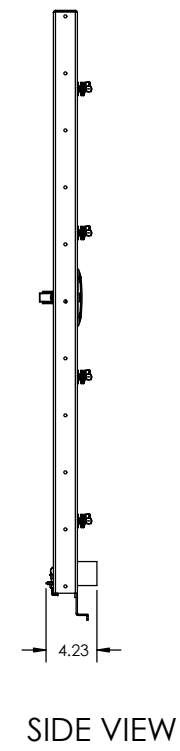


All units were filled with contents and maintained structural integrity and functionality after AC-156 test.

JHG

NOTES:
1. ALL DIMENSIONS REFERENCE ONLY

BOM Table					
ITEM NO.	QTY.	PART NUMBER	Revision	TITLE	Material
1	1	A24742	D	ROD END TYPE DOOR HOLD BACK, 24"L	
2	20	C6101		NUT, NYLOCK, 12-24, ZINC	Default
3	20	C6130		SCREW, MACHINE, FLAT HD, SLOTTED, ZINC, 12-24 x.75 LG	Default
4	8	C6134		WASHER, FLAT, SS, 1/4 IN. X 5/8 IN. OD	Default
5	4	C11106		NUT, HEX HD, GRD 5, ZINC, 1/4-20	Default
6	4	CP3127		WASHER, LOCK, 18-8SS, .25"	Default
7	4	C11121		NUT, HEX HD, ZINC, 3/8-16, GRADE 5	Default
8	4	C11108		Washer, Lock, Zinc, 3/8 SAE	Default
9	4	CP3170		SCREW, HEX HD CAP, 18-8 SS, .25"-20 X 1.00" LONG	Default
10	4	C6142		WASHER, FLAT, ZINC, 3/8" SAE, .812 OD, .409 ID, .065 THK	Default
11	1	M68788R	J	DOOR SKIN, ENCLOSURE, RIGHT, 49.50"W X 50.82"H	R4001 - Sheet Steel Galvannealed, 12 ga (A40)
12	1	P56829		CUSTOM HINGE 4-48.5-.093-.250; AL w/ HOLES	Default
13	1	P55614		LOCKING VECTOR T HANDLE	
14	1	P56871		BUMPER, NEOPRINE 2.00 DIA X 1.63"L w/ 3/8-16 STUD MOUNT X .63"L	
15	1	CR4234-04950		NEOPRENE/VINYL NITRILE FOAM RUBBER STRIPS 1/8" THK X 1.5" W X 49.50"L	
16	4	C6100		SS SCREW MACHINE PAN HD PHILLIPS 10-32 X 0.50	
17	4	C11100		WASHER FLAT #10 SAE ZINC	
18	4	C8021		NUT K-LOCK 10-32 ZINC W/ EXTERNAL WASHER	
19	4	P59081		CLAMP, LATCH, SS, RED HANDLE GRIPS	
20	24	P17220		SS SCREW MACHINE PAN HD PHILLIPS 6-32 X 1.00	
21	48	P17216		SS WASHER FLAT #6	
22	24	P17618		SS K-LOCK NUT 6-32	



ROUTING CHART	
OPERATION	
PLUMBING	
WELDING	
SAND BLAST	
PANEL ASSY	
X DOOR ASSY	
LOAD BANK ASSY	
SWGR ASSY	
ELECTRICAL ASSY	
MAIN ASSY	
IN HOUSE PAINT	
POWDER COAT	

J	REV.	DESCRIPTION	BY	DATE	CHECKED BY	CHECKED DATE
J		ADD 4X P59081, 24X P17220, 48X P17216, 24X P17618	WTH	3/12/2021	TD	3/12/2021
H	200421-47	REMOVE 1X R4234-04950. ADD 1X CR4234-04950.	JTB	10/17/2017	LEGACY	
G	200363-154	REPLACED 1X P5627 HINGE WITH 1X P56829 HINGE	JTB	2/22/2017	LEGACY	
F	200363-148	REPLACE P56633 WITH P56871	WTH	2/15/2017	LEGACY	
E	200363-134	ADDED R4234-04950, C6100, C11100 & C8021	WTH	2/8/2017	LEGACY	
D	200363-40	A24742 WAS A18554-24. RMV C11088, C11100, C11101, C11143, P4870, P5331 & P59081. ADD CP3170, CP3127, CA134 & C11106	WTH	10/10/2014	LEGACY	
C	200363-28	ADD P56633 & 3/8" HARDWARE. DOOR HOLD BACK WAS 18"	WTH	9/1/2016	LEGACY	
B	200363-24	ADD HARDWARE. RMV INSULATION NOTE	WTH	8/25/2016	LEGACY	
A	200363-P	REVISED M68788R. ADDED INSULATION NOTE	WTH	8/22/2016	LEGACY	
ZONE	REV.	DESCRIPTION	BY	DATE	CHECKED BY	CHECKED DATE

CUSTOMER:
PROJECT:
UNLESS OTHERWISE SPECIFIED:
DIMENSIONS ARE IN INCHES
TOLERANCES ARE AS FOLLOWS:
DISTANCE IS:
≤10"±.25"; >10"≤20"±.50"
>20"≤30"±.75"; >30"≤40"±1.00"
>40"≤50"±1.25"; >50"±1.50"

DRAWN BY: kjourny
CHECKED BY: LEGACY
ENGINEERING: kjourny
Q.A.

DATE: 5/15/2017
DATE:
DATE: 2/29/2016
DATE:

3Pi PROFESSIONAL POWER PRODUCTS, INC.
448 West Madison St, Darien, WI 53114
TEL.(262)882-9000, FAX.(262)882-9010
www.professionalpowerproducts.com

ENCHANTED ROCK, LTD. CONFIDENTIAL, PROPRIETARY AND PATENT PENDING INFORMATION THIS DOCUMENT MAY NOT BE USED, DISCLOSED OR COPIED WITHOUT THE WRITTEN AUTHORIZATION OF ENCHANTED ROCK, LTD.

TITLE: **DOOR WITHOUT SCOOP - RIGHT**

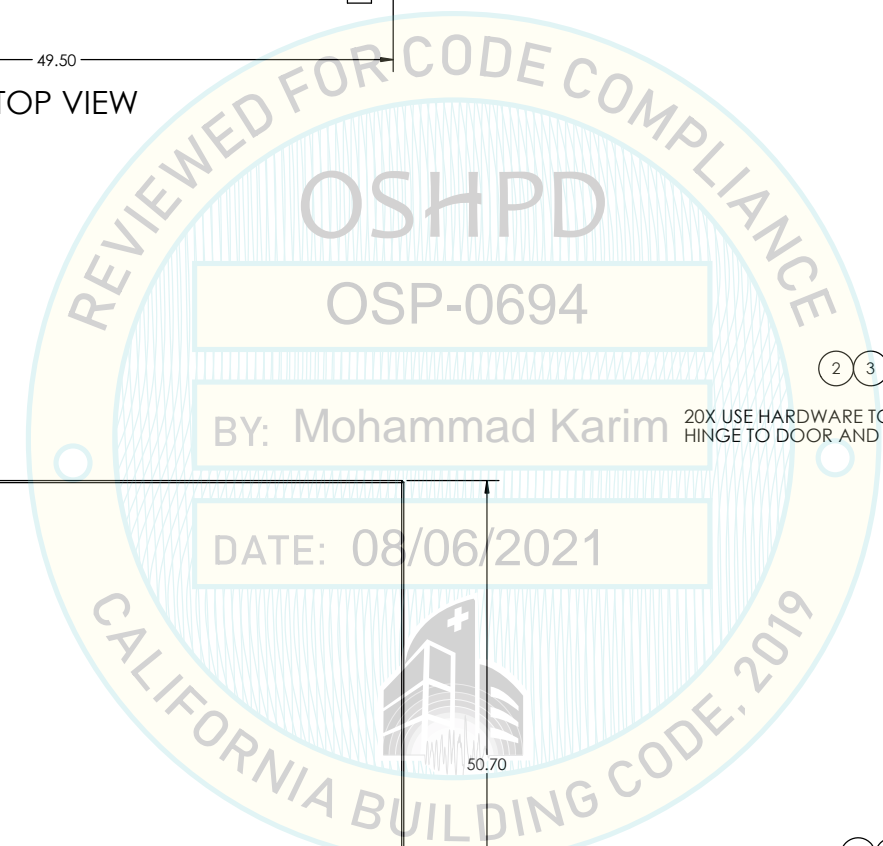
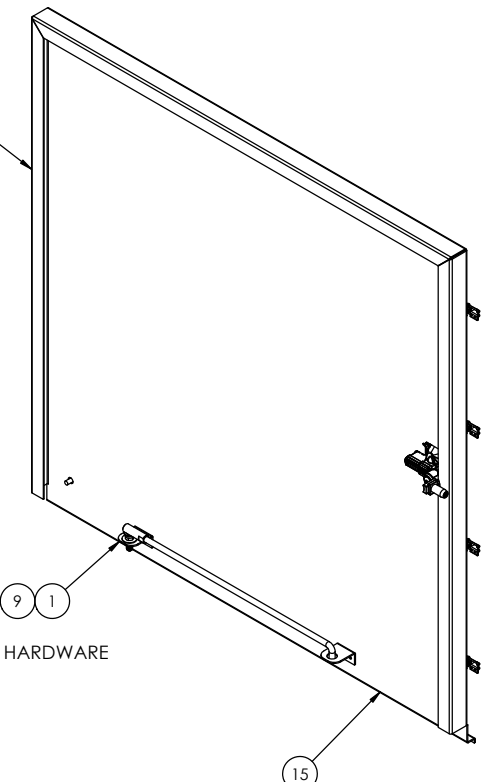
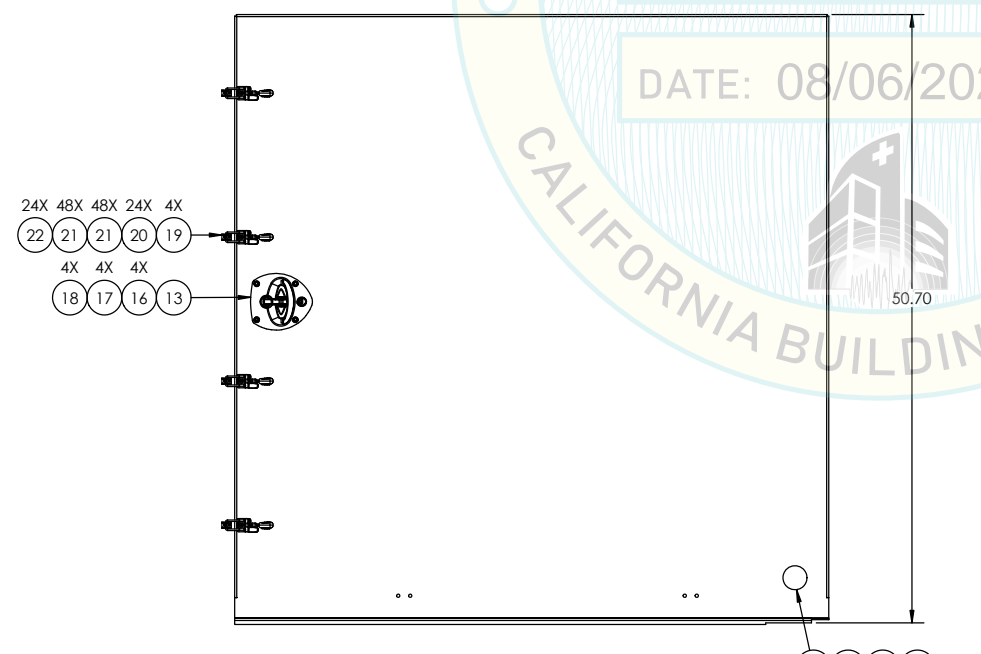
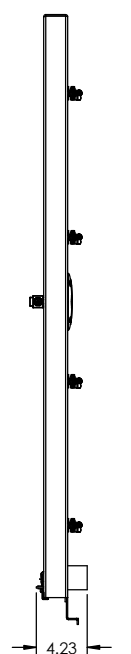
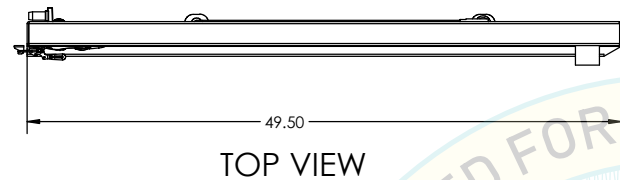
SIZE DWG. NO. **A24064** REV **J**

SCALE: 1:8 **Page 7 of 12** SHEET 1 OF 1

F E D

NOTES:
1. ALL DIMENSIONS REFERENCE ONLY

ITEM NO.	QTY.	PART NUMBER	TITLE	Material
1	1	A24742	ROD END TYPE DOOR HOLD BACK, 24"L	
2	20	C6101	NUT, NYLOCK, 12-24, ZINC	Default
3	20	C6130	SCREW, MACHINE, FLAT HD, SLOTTED, ZINC, 12-24 x.75 LG	Default
4	8	C6134	WASHER, FLAT, SS, 1/4 IN. X 5/8 IN. OD	Default
5	4	C11106	NUT, HEX HD, GRD 5, ZINC, 1/4-20	Default
6	4	CP3127	WASHER, LOCK, 18-8SS, .25"	Default
7	1	C11121	NUT, HEX HD, ZINC, 3/8"-16, GRADE 5	Default
8	1	C11108	WASHER, LOCK, ZINC, 3/8" SAE	Default
9	4	CP3170	SCREW, HEX HD CAP, 18-8 SS, .25"-20 X 1.00" LONG	Default
10	1	C6142	WASHER, FLAT, ZINC, 3/8" SAE, .812" OD, .409 ID, .065THK	Default
11	1	M68788L	DOOR SKIN, ENCLOSURE, LEFT, 49.50"W X 50.82"H	R4001 - Sheet Steel Galvannealed, 12 ga (A40)
12	1	P56829	CUSTOM HINGE 4-48.5-.093-.250; AL w/ HOLES	Default
13	1	P55614	LOCKING VECTOR T HANDLE	
14	1	P56871	BUMPER, NEOPRINE 2.00 DIA X 1.63"L w/ 3/8-16 STUD MOUNT X .63"L	
15	1	CR4234-04950	NEOPRENE/VINYL NITRILE FOAM RUBBER STRIPS 1/8" THK X 1.5" W X 49.50"L	
16	4	C6100	SS SCREW MACHINE PAN HD PHILLIPS 10-32 X 0.50	
17	4	C11100	WASHER FLAT #10 SAE ZINC	
18	4	C8021	NUT K-LOCK 10-32 ZINC W/ EXTERNAL WASHER	
19	4	P59081	CLAMP, LATCH, SS, RED HANDLE GRIPS	
20	24	P17220	SS SCREW MACHINE PAN HD PHILLIPS 6-32 X 1.00	
21	48	P17216	SS WASHER FLAT #6	
22	24	P17618	SS K-LOCK NUT 6-32	



ROUTING CHART	
OPERATION	
PLUMBING	
WELDING	
SAND BLAST	
PANEL ASSY	
X DOOR ASSY	
LOAD BANK ASSY	
SWGR ASSY	
ELECTRICAL ASSY	
MAIN ASSY	
IN HOUSE PAINT	
POWDER COAT	

CUSTOMER: PROFESSIONAL POWER PRODUCTS, INC.
448 West Madison St, Darien, WI 53114
TEL.(262)882-9000, FAX.(262)882-9010
www.professionalpowerproducts.com

UNLESS OTHERWISE SPECIFIED:
DIMENSIONS ARE IN INCHES
TOLERANCES ARE AS FOLLOWS:
DISTANCE IS:
≤10"±.25"; >10"≤20"±.50"
>20"≤30"±.75"; >30"≤40"±1.00"
>40"≤50"±1.25"; >50"±1.50"

ENCHANTED ROCK, LTD.
CONFIDENTIAL, PROPRIETARY AND
PATENT PENDING INFORMATION THIS
DOCUMENT MAY NOT BE USED,
DISCLOSED OR COPIED WITHOUT THE
WRITTEN AUTHORIZATION OF
ENCHANTED ROCK, LTD.

TITLE: DOOR WITHOUT SCOOP - LEFT

SIZE DWG. NO. A24064L
SCALE: 1:8

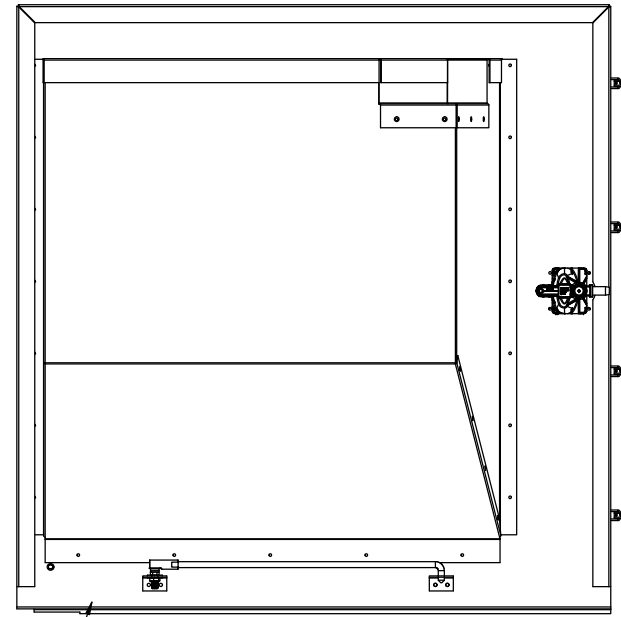
REV F

Page 8 of 12

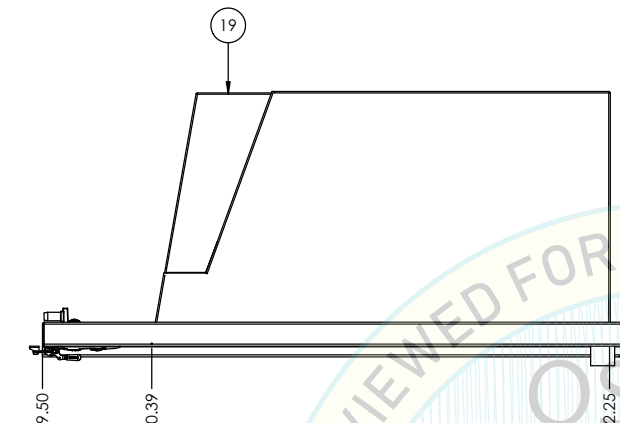
ZONE	REV.	ECRN#	DESCRIPTION	BY	DATE	CHECKED BY	CHECKED DATE
F			ADD 4X P59041, 24X P17220, 48X P17216, 24X P17618	WTH	3/12/2021	TO	3/12/2021
E	200421-47		REMOVE 1X R4234-04950, ADD 1X CR4234-04950.	JTB	10/17/2017	LEGACY	
D	200363-154		REPLACED 1X P2627 HINGE WITH 1X P56829 HINGE	JTB	2/22/2017	LEGACY	
C	200363-148		REPLACE P56633 WITH P56871	WTH	2/15/2017	LEGACY	
B	200363-134		ADDED R4234-04950, C6100, C11100 & C8021	WTH	2/8/2017	LEGACY	
A	200363-60		A24742 WAS A18554-24; RMV C11088, C11100, C11101, C11143, P4392, P5351 & P3493; ADD CP3170, CP3127, C6134 & C11106	WTH	10/10/2016	LEGACY	

08/06/2021

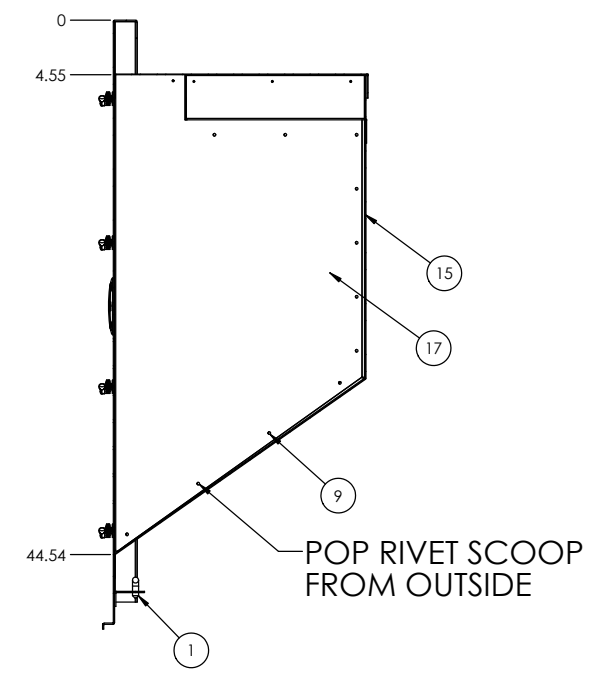
OSP-0694



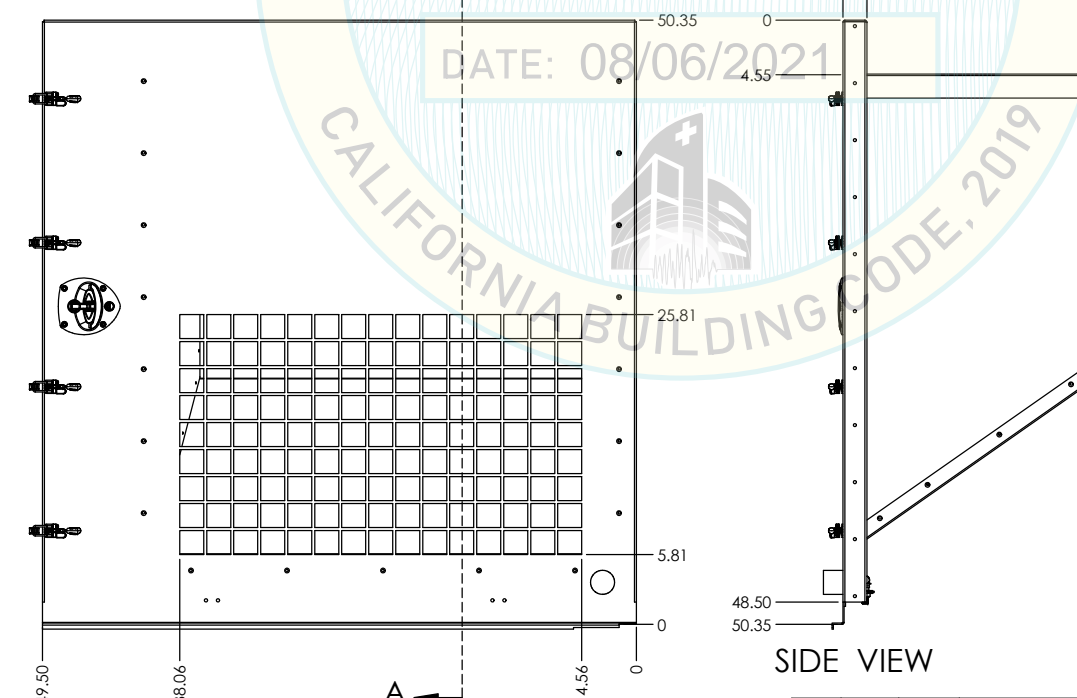
BACK VIEW



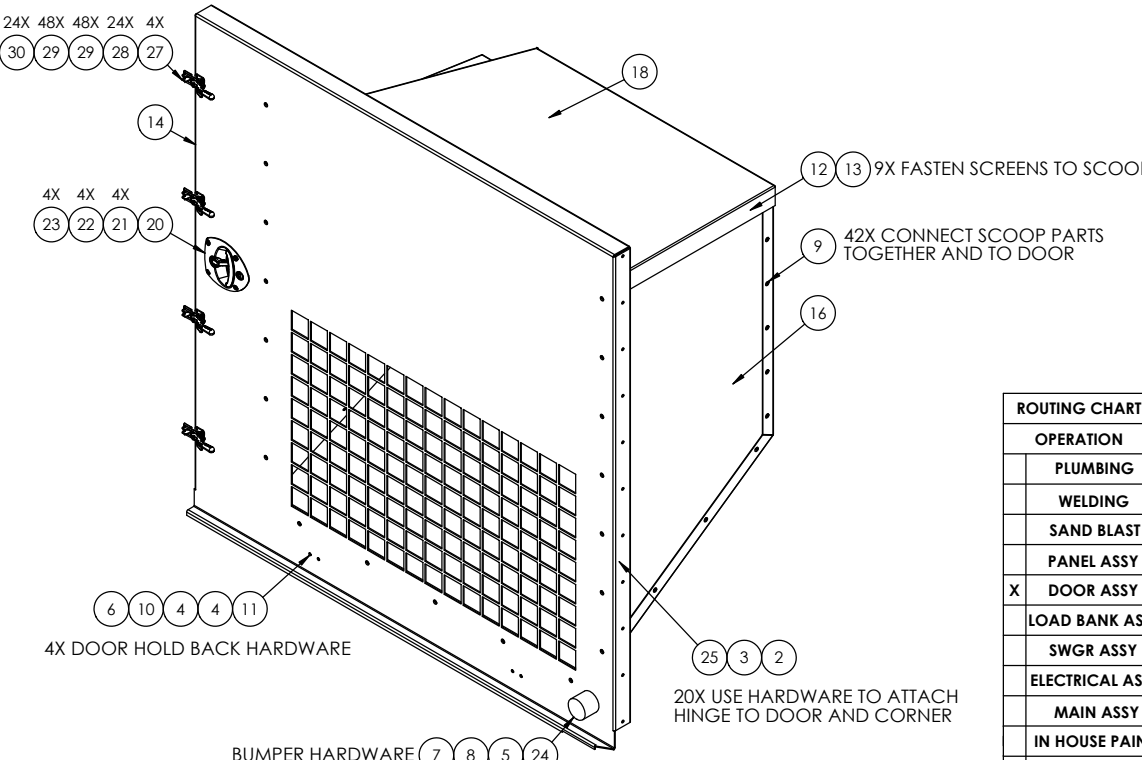
TOP VIEW



SECTION A-A



FRONT VIEW



4X DOOR HOLD BACK HARDWARE

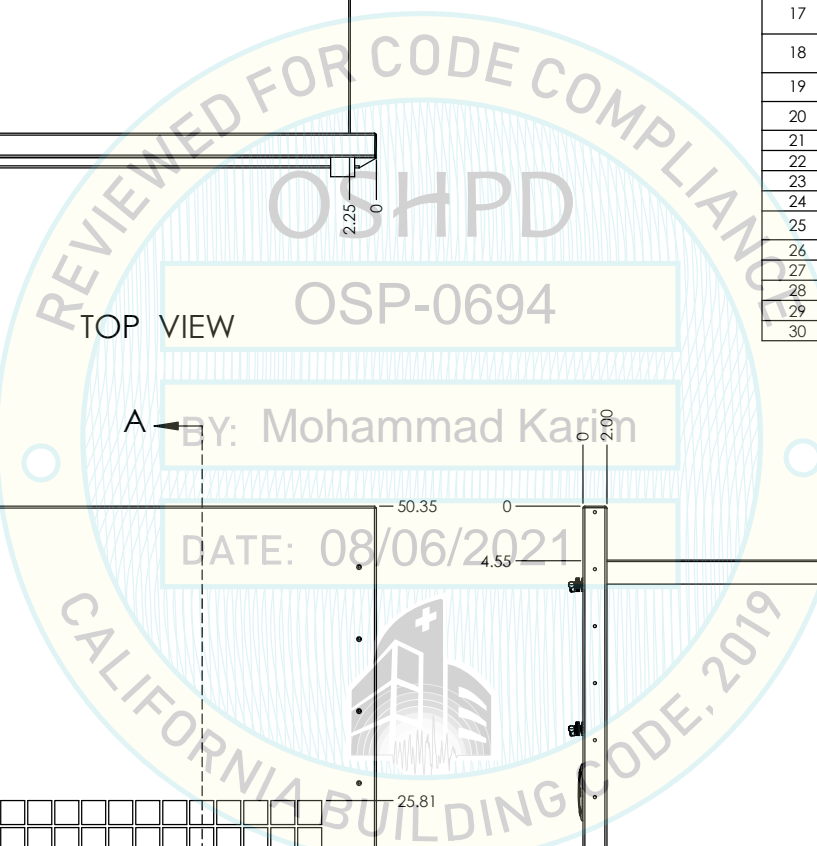
20X USE HARDWARE TO ATTACH HINGE TO DOOR AND CORNER

12 13 9X FASTEN SCREENS TO SCOOP

9 42X CONNECT SCOOP PARTS TOGETHER AND TO DOOR

NOTES:
1. ALL DIMENSIONS REFERENCE ONLY

ITEM NO.	QTY.	PART NUMBER	TITLE	Material
1	1	A24742	ROD END TYPE DOOR HOLD BACK, 24"L	
2	20	C6101	NUT, NYLOCK, 12-24, ZINC	Default
3	20	C6130	SCREW, MACHINE, FLAT HD, SLOTTED, ZINC, 12-24 x.75 LG	Default
4	8	C6134	WASHER, FLAT, SS, 1/4 IN. X 5/8 IN. OD	Default
5	1	C6142	WASHER, FLAT, ZINC, 3/8 SAE, .812 OD, .409 ID, .065 THK	Default
6	4	C11106	NUT, HEX HD, GRD 5, ZINC, 1/4-20	Default
7	1	C11108	WASHER, LOCK, ZINC, 3/8" SAE	Default
8	1	C11121	NUT, HEX HD, ZINC, 3/8-16, GRD 5	Default
9	42	C11136	RIVET, POP, AL BODY, 3/16 DIA x .615 HD DIA x .450 LG	Default
10	4	CP3127	WASHER, LOCK, 18-8SS, .25"	Default
11	4	CP3170	SCREW, HEX HD CAP, 18-8 SS, .25"-20 X 1.00" LONG	Default
12	9	CP33168	SCREW, HEX WASHER HD, 410 SS, 12-14 X 1.0 LG, SELF DRILLING, (TAP SCREW)	Default
13	9	CP52084	WASHER, FLAT, SS 18-8, .28" ID X 1" OD	Default
14	1	M70134-02	DOOR SKIN 50.92 X 49.50 w/ AIR FLOW OUT LEFT	R4001 - Sheet Steel Galvannealed, 12 ga (A40)
15	1	M70135-06	INTAKE BACK NOTCH RIGHT	R4004 - Sheet Steel Galvannealed, 18 ga (A40)
16	1	M70137-05	INTAKE BOX SIDE	R4004 - Sheet Steel Galvannealed, 18 ga (A40)
17	1	M70639-06	AIR INTAKE BOX FACE-RIGHT	R4004 - Sheet Steel Galvannealed, 18 ga (A40)
18	1	M71284	DOOR SCOOP BIRD SCREEN	R3793 - Perforated Metal 16ga Plain Steel/Cold Rolled, 1/2 Hex x 9/16 Staggered Centers
19	1	M71296	SCOOP, NOTCH, FILLER	R4004 - Sheet Steel Galvannealed, 18 ga (A40)
20	1	P55614	LOCKING VECTOR T HANDLE	
21	4	C6100	SS SCREW MACHINE PAN HD PHILLIPS 10-32 X 0.50	
22	4	C11100	WASHER FLAT #10 SAE ZINC	
23	4	C8021	NUT K-LOCK 10-32 ZINC W/ EXTERNAL WASHER	
24	1	P56871	BUMPER, NEOPRINE 2.00 DIA X 1.63"L w/ 3/8-16 STUD MOUNT X .63"L	
25	1	P56829	CUSTOM HINGE 4-48.5-.093-.250; AL w/ HOLES	Default
26	1	CR4234-04950	NEOPRENE/VINYL NITRILE FOAM RUBBER STRIPS 1/8" THK X 1.5" W X 49.50"L	
27	4	P59081	CLAMP, LATCH, SS, RED HANDLE GRIPS	
28	24	P17220	SS SCREW MACHINE PAN HD PHILLIPS 6-32 X 1.00	
29	48	P17216	SS WASHER FLAT #6	
30	24	P17618	SS K-LOCK NUT 6-32	



ZONE	REV.	ECRN#	DESCRIPTION	BY	DATE	CHECKED BY	CHECKED DATE
	L		ADD 4X P59081, 24X P17220, 48X P17216, 24X P17618	WTH	3/12/2021	TO	3/12/2021
	K	200421-47	REMOVE 1X R4234-04950, ADD 1X CR4234-04950.	JTB	10/17/2017	LEGACY	
	J	200421-15	REMOVE CALKING NOTE REFERENCING WI-ASSY-ER-003	JTB	9/26/2017	LEGACY	
	H	200363-154	REPLACED 1X P2627 HINGE WITH 1X P56829 HINGE	JTB	2/22/2017	LEGACY	
	G	200363-148	REPLACE P56633 WITH P56871	WTH	2/15/2017	LEGACY	
	F	200363-134	ADDED R4234-04950, C6100, C11100 & C8021	WTH	2/8/2017	LEGACY	
	E	200363-76	ADDED WORK INSTRUCTION REFERENCE NOTES	WTH	10/28/2016	LEGACY	
	D	200363-60	A24742 WAS A18554-24; CHANGE RIVET NOTE; HARDWARE UPDATES	WTH	10/10/2016	LEGACY	
	C	200363-51	RIVET HOLES ADDED AND MOVED, HARDWARE COUNT UPDATED	KP	9/22/2016	LEGACY	
	B	200363-41	ADD DOOR SCOOP CALKING NOTE	WTH	9/13/2016	LEGACY	
	A	200363-28	ADD P56633 & 3/8" HARDWARE, DOOR HOLD BACK WAS 18"	WTH	9/1/2016	LEGACY	

CUSTOMER: PROJECT:

UNLESS OTHERWISE SPECIFIED: DIMENSIONS ARE IN INCHES TOLERANCES ARE AS FOLLOWS: DISTANCE IS: $\le 10' \pm .25'$; $> 10' \le 20' \pm .50'$; $> 20' \le 30' \pm .75'$; $> 30' \le 40' \pm 1.00'$; $> 40' \le 50' \pm 1.25'$; $> 50' \pm 1.50'$

DRAWN BY: kjourmy DATE: 5/15/2017
CHECKED BY: LEGACY DATE:
ENGINEERING: kjourmy DATE: 3/8/2016
Q.A. DATE:

3PI PROFESSIONAL POWER PRODUCTS, INC. 448 West Madison st, Darien, WI 53114 TEL.(262)882-9000, FAX.(262)882-9010 www.professionallpowerproducts.com

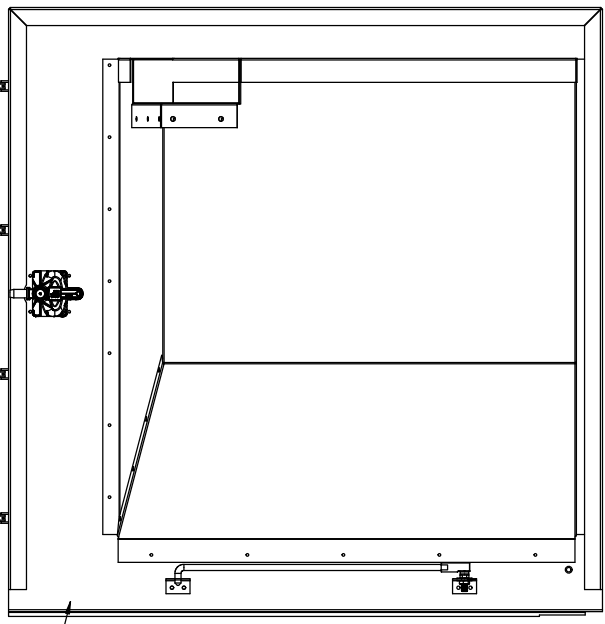
ENCHANTED ROCK, LTD. CONFIDENTIAL, PROPRIETARY AND PATENT PENDING INFORMATION THIS DOCUMENT MAY NOT BE USED, DISCLOSED OR COPIED WITHOUT THE WRITTEN AUTHORIZATION OF ENCHANTED ROCK, LTD.

TITLE: DOOR WITH SCOOP - LEFT

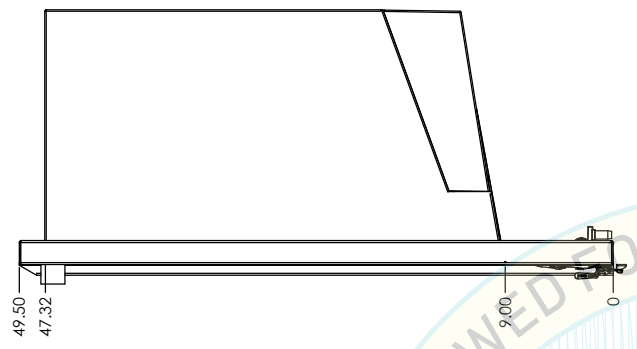
SIZE DWG. NO. A24088-04 REV L
SCALE: 1:8 Page 9 of 12 SHEET 1 OF 1

(P) (N)

(M) NOTES:
1. ALL DIMENSIONS REFERENCE ONLY

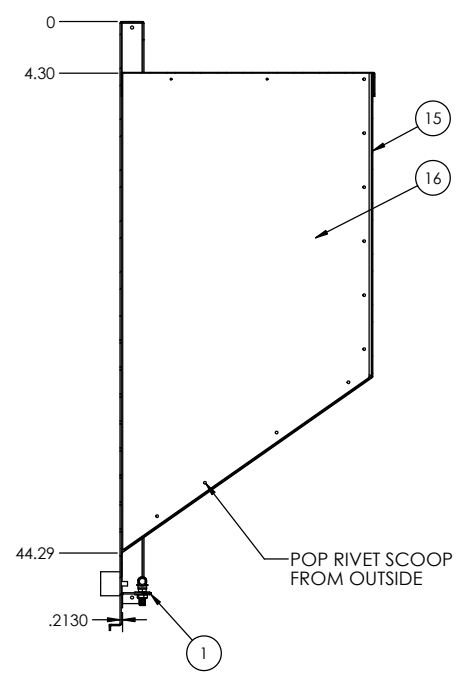


BACK VIEW

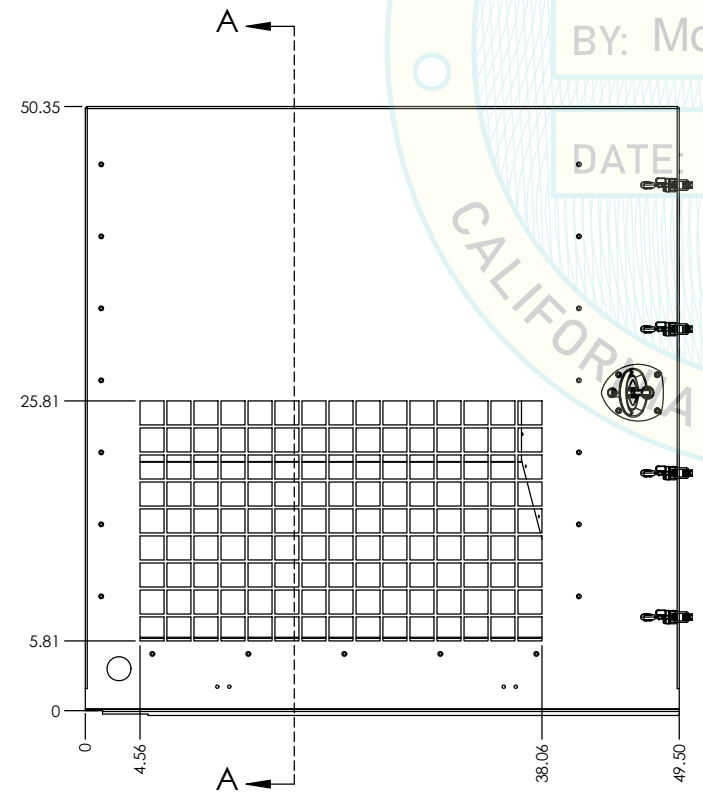


TOP VIEW

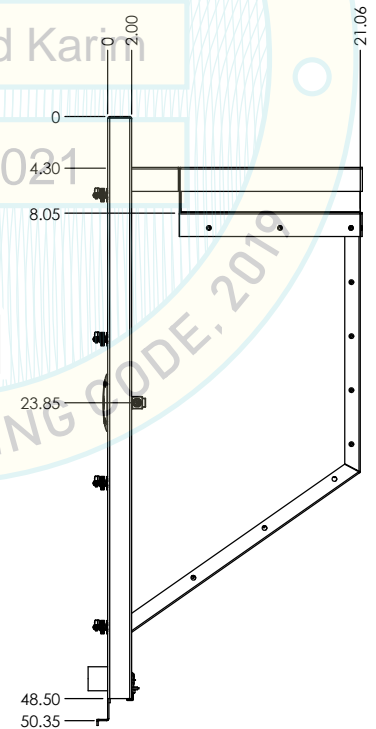
ITEM NO.	QTY.	PART NUMBER	TITLE	Material
1	1	A24742	ROD END TYPE DOOR HOLD BACK, 24"L	
2	20	C6101	NUT, NYLOCK, 12-24, ZINC	Default
3	20	C6130	SCREW, MACHINE, FLAT HD, SLOTTED, ZINC, 12-24 x.75 LG	Default
4	8	C6134	WASHER, FLAT, SS, 1/4 IN. X 5/8 IN. OD	Default
5	1	C6142	WASHER, FLAT, 3/8 SAE, .812 OD, .409 ID, .065 THICK	Default
6	4	C11106	NUT, HEX HD, GRD 5, ZINC, 1/4-20	Default
7	1	C11108	WASHER, LOCK, ZINC, 3/8"	Default
8	1	C11121	NUT, HEX HD, ZINC, 3/8-16, GRD 5	Default
9	42	C11136	RIVET, POP, AL BODY, 3/16 DIA x .615 HD DIA x .450 LG	Default
10	4	CP3127	WASHER, LOCK, 18-8SS, .25"	Default
11	4	CP3170	SCREW, HEX HD CAP, 18-8 SS, .25"-20 X 1.00" LONG	Default
12	9	CP33168	SCREW, HEX WASHER HD, .410 SS, 12-14 X 1.0 LG, SELF DRILLING, (TAP SCREW)	Default
13	9	CP52084	WASHER, FLAT, SS 18-8, .28" ID X 1" OD	Default
14	1	M70133-01	DOOR SKIN 50.92 X 49.50 w/ AIR FLOW OUT RIGHT	R4001 - Sheet Steel Galvannealed, 12 ga (A40)
15	1	M70135-05	INTAKE BACK NOTCH LEFT	R4004 - Sheet Steel Galvannealed, 18 ga (A40)
16	1	M70137-01	INTAKE BOX PANEL 27.90 X 22.22 FACE LEFT	R4004 - Sheet Steel Galvannealed, 18 ga (A40)
17	1	M70639-05	INTAKE SIDE WITH CUT	R4004 - Sheet Steel Galvannealed, 18 ga (A40)
18	1	M71285	DOOR SCOOP BIRD SCREEN	R3793 - Perforated Metal 16ga Plain Steel/Cold Rolled, 1/2 Hex x 9/16 Staggered Centers
19	1	M71300	SCOOP, NOTCH, FILLER	R4004 - Sheet Steel Galvannealed, 18 ga (A40)
20	1	P55614	LOCKING VECTOR T HANDLE	
21	4	C6100	SS SCREW MACHINE PAN HD PHILLIPS 10-32 X 0.50	
22	4	C11100	WASHER FLAT #10 SAE ZINC	
23	4	C8021	NUT K-LOCK 10-32 ZINC W/ EXTERNAL WASHER	
24	1	P56871	BUMPER, NEOPRINE 2.00 DIA X 1.63"L w/ 3/8-16 STUD MOUNT X .63"L	
25	1	P56829	CUSTOM HINGE 4-48.5-.093-.250; AL w/ HOLES	Default
26	1	CR4234-04950	NEOPRENE/VINYL NITRILE FOAM RUBBER STRIPS 1/8" THK X 1.5" W X 49.50"L	
27	4	P59081	CLAMP, LATCH, SS, RED HANDLE GRIPS	
28	24	P17220	SS SCREW MACHINE PAN HD PHILLIPS 6-32 X 1.00	
29	48	P17216	SS WASHER FLAT #6	
30	24	P17618	SS K-LOCK NUT 6-32	



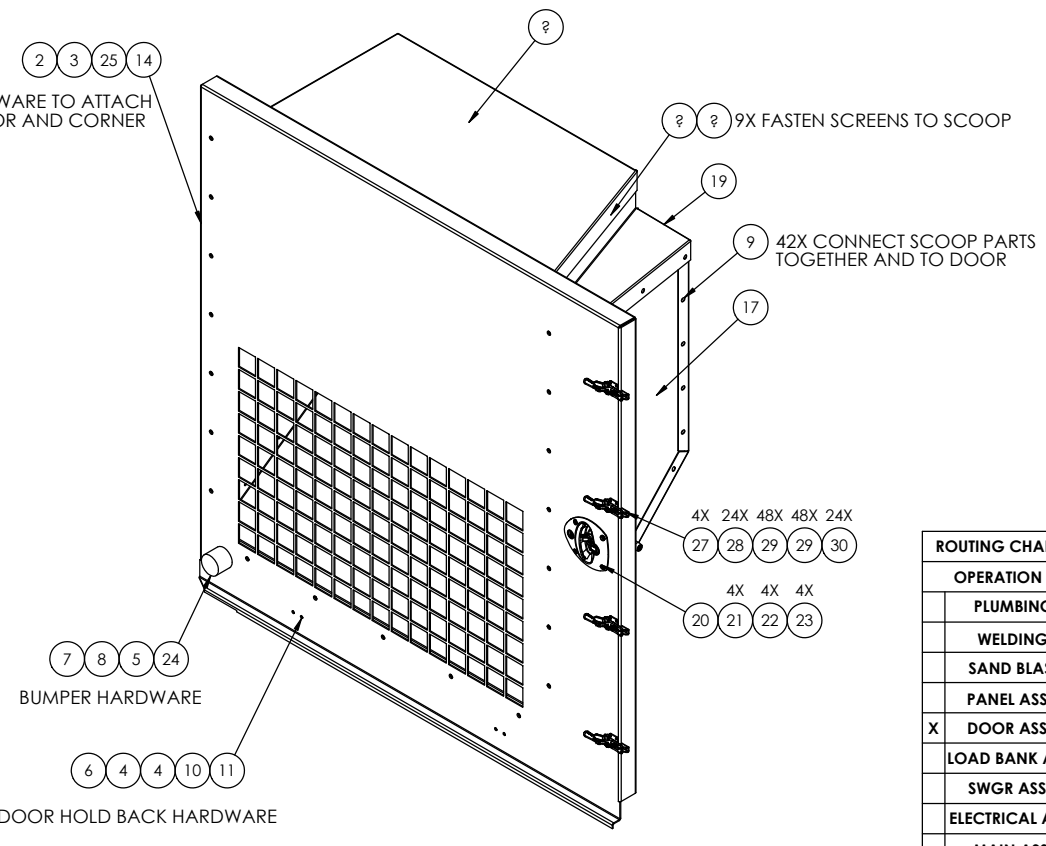
SECTION A-A



FRONT VIEW



SIDE VIEW



20X USE HARDWARE TO ATTACH HINGE TO DOOR AND CORNER

9X FASTEN SCREENS TO SCOOP

42X CONNECT SCOOP PARTS TOGETHER AND TO DOOR

4X 24X 48X 48X 24X

4X 4X 4X

BUMPER HARDWARE

4X DOOR HOLD BACK HARDWARE

ROUTING CHART	
OPERATION	
PLUMBING	
WELDING	
SAND BLAST	
PANEL ASSY	
X DOOR ASSY	
LOAD BANK ASSY	
SWGR ASSY	
ELECTRICAL ASSY	
MAIN ASSY	
IN HOUSE PAINT	
POWDER COAT	

ZONE	REV.	DESCRIPTION	BY	DATE	CHECKED BY	CHECKED DATE
P		ADD 4X P59081, 24X P17220, 48X P17216, 24X P17618	WTH	3/12/2021	TO	3/12/2021
N	200421-47	REMOVE 1X R4234-04950, ADD 1X CR4234-04950.	JTB	10/17/2017	LEGACY	
M	200421-15	REMOVE CALKING NOTE REFERENCING WI-ASSY-ER-003	JTB	9/26/2017	LEGACY	
L	200363-154	REPLACED 1X P2627 HINGE WITH 1X P56829 HINGE	JTB	2/22/2017	LEGACY	
K	200363-148	REPLACE P56633 WITH P56871	WTH	2/15/2017	LEGACY	
J	200363-134	ADDED R4234-04950, C6100, C11100 & C8021	WTH	2/8/2017	LEGACY	
H	200363-76	ADDED WORK INSTRUCTION REFERENCE NOTES	WTH	10/28/2016	LEGACY	
G	200363-60	A24742 WAS A18554-24; CHANGE RIVET NOTE; HARDWARE UPDATES	WTH	10/10/2016	LEGACY	
F	200363-51	RIVETS ADDED AND MODIFIED, HARDWARE COUNT UPDATED	KP	9/22/2016	LEGACY	
E	200363-41	ADD DOOR SCOOP CAULK NOTE	WTH	9/13/2016	LEGACY	
D	200363-28	ADD P56633 & 3/8" HARDWARE, DOOR HOLD BACK WAS 18"	WTH	9/1/2016	LEGACY	
C	200363-24	RMV INSUL NOTES, ADD M71300	WTH	8/25/2016	LEGACY	
B	200363-19	ADD BIRD SCREEN, CHNG SCOOP MATL WAS GALVANIZED	WTH	8/24/2016	LEGACY	
A	200363-9	REVISED CHILD PARTS, REMOVE M70634 & M70635, ADD NOTES	WTH	8/4/2016	LEGACY	

CUSTOMER:	
PROJECT:	
UNLESS OTHERWISE SPECIFIED: DIMENSIONS ARE IN INCHES TOLERANCES ARE AS FOLLOWS: DISTANCE IS: $\le 10' \pm .25'$; $10' \le 20' \pm .50'$; $20' \le 30' \pm .75'$; $30' \le 40' \pm 1.00'$; $40' \le 50' \pm 1.25'$; >50' ±1.50"	
DRAWN BY: kjourmy	DATE: 5/15/2017
CHECKED BY: LEGACY	DATE:
ENGINEERING: kjourmy	DATE: 3/8/2016
Q.A.:	DATE:

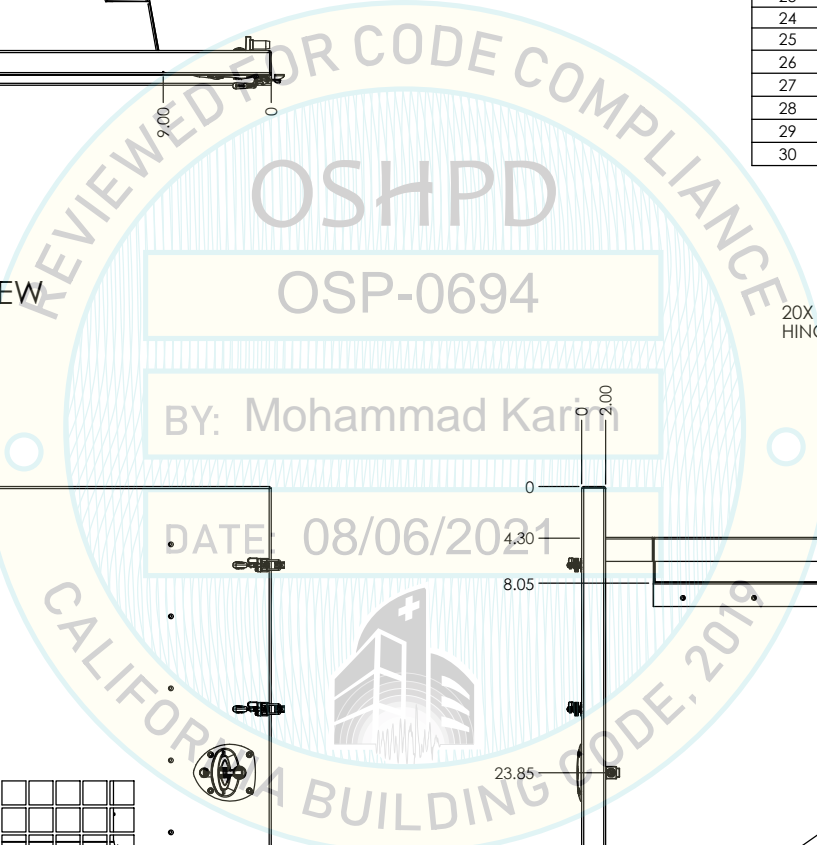
3PI PROFESSIONAL POWER PRODUCTS, INC.
448 West Madison St, Darien, WI 53114
TEL.(262)882-9000, FAX.(262)882-9010
www.professionalspowerproducts.com

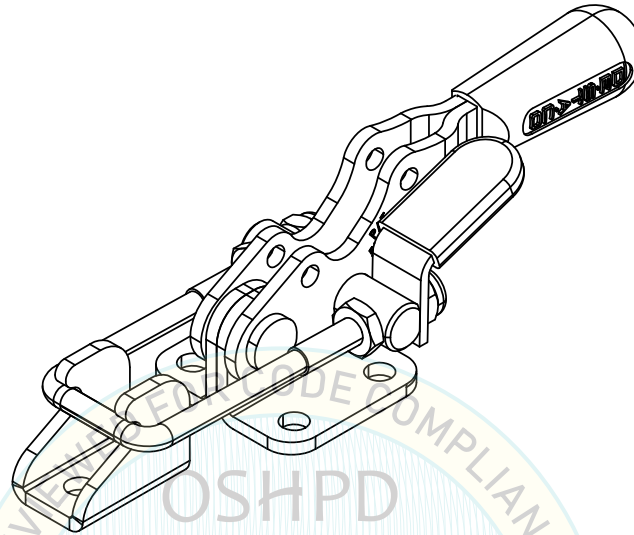
ENCHANTED ROCK, LTD. CONFIDENTIAL, PROPRIETARY AND PATENT PENDING INFORMATION THIS DOCUMENT MAY NOT BE USED, DISCLOSED OR COPIED WITHOUT THE WRITTEN AUTHORIZATION OF ENCHANTED ROCK, LTD.

TITLE: **DOOR WITH SCOOP - RIGHT**

SIZE DWG. NO. **A24089-03** REV **P**


SCALE: 1:8 **Page 10 of 12** SHEET 1 OF 1





VENDOR:	ALLEGIS
VENDOR PART DESCRIPTION:	DS 323 SS WITH RED GRIP HANDLE
VENDOR PART NUMBER:	DS 323 SS
VENDOR PART REVISION LEVEL:	N/A
VENDOR DRAWING NUMBER:	N/A
VENDOR DRAWING REVISION LEVEL:	N/A

PART QTY.
ROUTING CHART
SAW
CUTTING
FORMING
PLUMBING
WELDING
SM PARTS WELD
SAND BLAST
LOAD BANK ASSY
SWGR ASSY
ELECTRICAL ASSY
PANEL ASSY
DOOR ASSY
MAIN ASSY
IN-HOUSE PAINT
POWDER COAT

JOB #: <small>UNLESS OTHERWISE SPECIFIED: .XXX = 0.031"; .XX = 0.062"; X = 0.125" ANGLE DIMENSIONS: ±1°</small>		 PROFESSIONAL POWER PRODUCTS, INC. 448 West Madison Street, Darien, WI 53114 TEL.(262)882-9000, FAX.(262)882-9010 www.professionalphowerproducts.com																
Material:																		
Finish:		TITLE: CLAMP, LATCH, SS, RED HANDLE GRIPS																
<table border="1"> <tr> <th>NAME</th> <th>DATE</th> </tr> <tr> <td>CREATED BY bhanauska</td> <td>03/12/2021</td> </tr> <tr> <td>DRAWN BY bhanauska</td> <td>3/12/2021</td> </tr> <tr> <td>CHECKED BY TO</td> <td>3/12/2021</td> </tr> <tr> <td>Q.A.</td> <td></td> </tr> </table>		NAME	DATE	CREATED BY bhanauska	03/12/2021	DRAWN BY bhanauska	3/12/2021	CHECKED BY TO	3/12/2021	Q.A.		<table border="1"> <tr> <td>SIZE</td> <td>DWG. NO.</td> <td>REV</td> </tr> <tr> <td>A</td> <td>P59081</td> <td></td> </tr> </table>	SIZE	DWG. NO.	REV	A	P59081	
NAME	DATE																	
CREATED BY bhanauska	03/12/2021																	
DRAWN BY bhanauska	3/12/2021																	
CHECKED BY TO	3/12/2021																	
Q.A.																		
SIZE	DWG. NO.	REV																
A	P59081																	
<table border="1"> <tr> <td>SCALE: 1:1</td> <td>WEIGHT:</td> <td>SHEET 1 OF 1</td> </tr> </table>		SCALE: 1:1	WEIGHT:	SHEET 1 OF 1														
SCALE: 1:1	WEIGHT:	SHEET 1 OF 1																

NOTE:
 1. SUBSTITUTIONS ALLOWED WITH 3PI ENGINEERING APPROVAL ONLY.

